



US00D594407S

(12) **United States Design Patent**  
**Chon et al.**

(10) **Patent No.:** **US D594,407 S**  
(45) **Date of Patent:** **\*\* Jun. 16, 2009**

(54) **CHARGER FOR HEADSET**

(75) Inventors: **Alex Chon**, Rancho Dominguez, CA (US); **Wesley Millora**, Cypress, CA (US); **Rudy Widiaman**, Rancho Dominguez, CA (US); **Hyo-Keun Ahn**, Rancho Dominguez, CA (US); **Simon Kang**, Rancho Dominguez, CA (US); **Steven Tkachuk**, Los Angeles, CA (US); **Mark Sterzick**, Rancho Dominguez, CA (US); **Naoki Shimada**, Rancho Dominguez, CA (US); **Dimitre Mehandjiysky**, Rancho Dominguez, CA (US)

(73) Assignee: **Samsung Electronics Co., Ltd.**, Suwon-Si (KR)

(\*\*) Term: **14 Years**

(21) Appl. No.: **29/328,041**

(22) Filed: **Nov. 18, 2008**

(30) **Foreign Application Priority Data**  
Aug. 29, 2008 (KR) ..... 30-2008-0037510

(51) **LOC (9) Cl.** ..... **13-02**

(52) **U.S. Cl.** ..... **D13/108**

(58) **Field of Classification Search** ..... D13/107-110, D13/118-119, 184; D14/224, 251, 253, D14/432, 434; 320/107-115  
See application file for complete search history.

(56) **References Cited**

**U.S. PATENT DOCUMENTS**

D219,985 S \* 2/1971 Ray ..... D13/108  
D292,912 S \* 11/1987 Muller et al. .... D13/108

D307,580 S \* 5/1990 Reali ..... D13/152  
D308,267 S \* 5/1990 Bradd ..... D32/31  
D314,182 S \* 1/1991 Moerman ..... D13/152  
D322,061 S \* 12/1991 Watanabe ..... D13/108  
5,230,016 A \* 7/1993 Yasuda ..... 455/573  
D522,963 S \* 6/2006 Hayes et al. .... D13/108  
D525,193 S \* 7/2006 Vu ..... D13/108  
D533,499 S \* 12/2006 Suzuki ..... D13/108  
D559,484 S \* 1/2008 Fjellman ..... D32/31  
D559,485 S \* 1/2008 Fjellman ..... D32/31

\* cited by examiner

*Primary Examiner*—Jennifer Rivard  
*Assistant Examiner*—Rosemary K Tarcza  
(74) *Attorney, Agent, or Firm*—Staas & Halsey LLP

(57) **CLAIM**

The ornamental design for a charger for headset, as shown and described.

**DESCRIPTION**

FIG. 1 is a perspective view of a charger for headset;  
FIG. 2 is a front view of the charger for headset of FIG. 1;  
FIG. 3 is a rear view of the charger for headset of FIG. 1;  
FIG. 4 is a left-side view of the charger for headset of FIG. 1;  
FIG. 5 is a right-side view of the charger for headset of FIG. 1;  
FIG. 6 is a top plan view of the charger for headset of FIG. 1;  
FIG. 7 is a bottom plan view of the charger for headset of FIG. 1; and,  
FIG. 8 is a front view of the charger for headset of FIG. 1.  
The broken lines shown in FIGS. 6-8 are for the purpose of illustrating environmental structure and form no part of the claimed design.

**1 Claim, 5 Drawing Sheets**

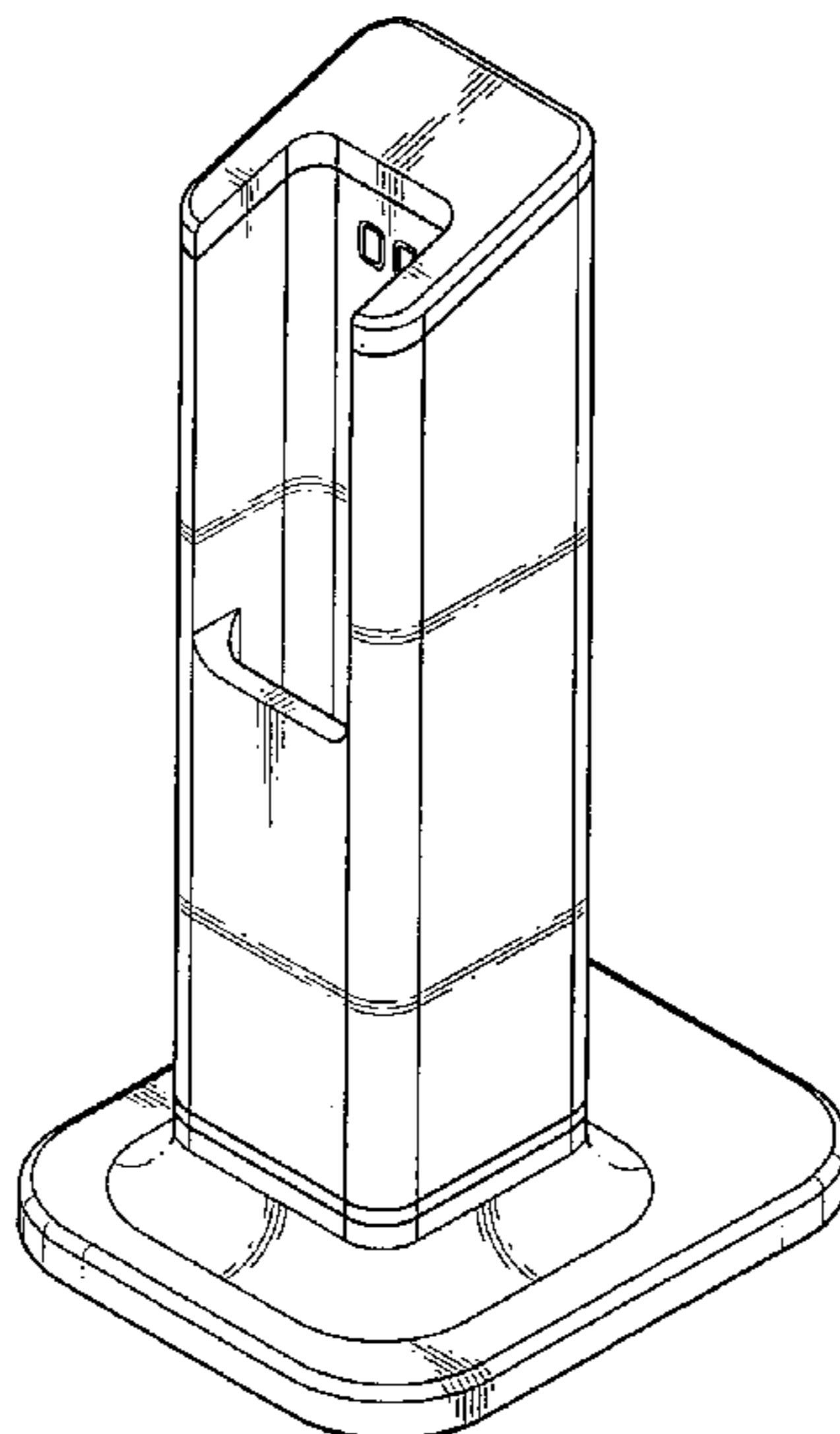


FIG. 1

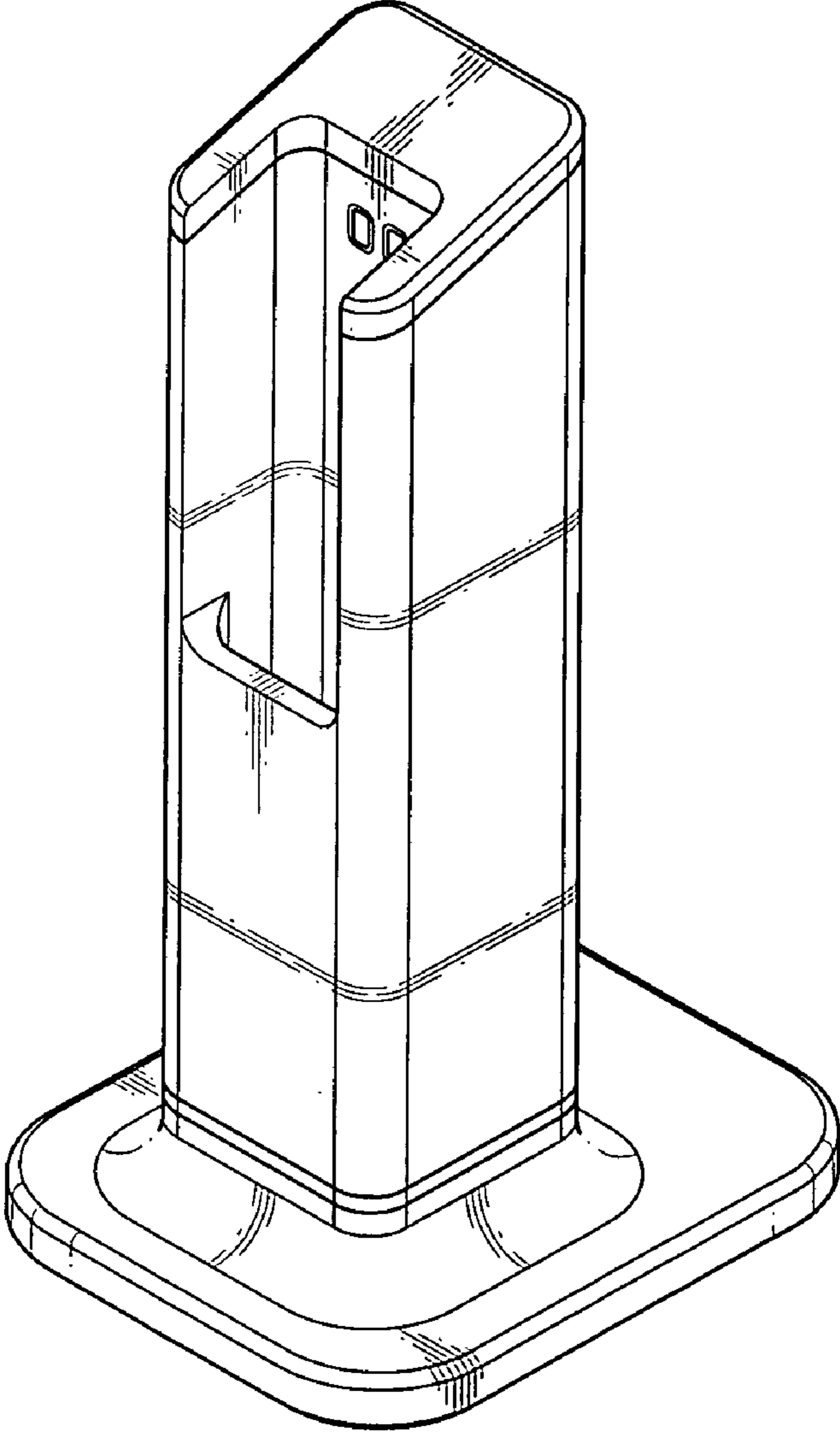


FIG. 2

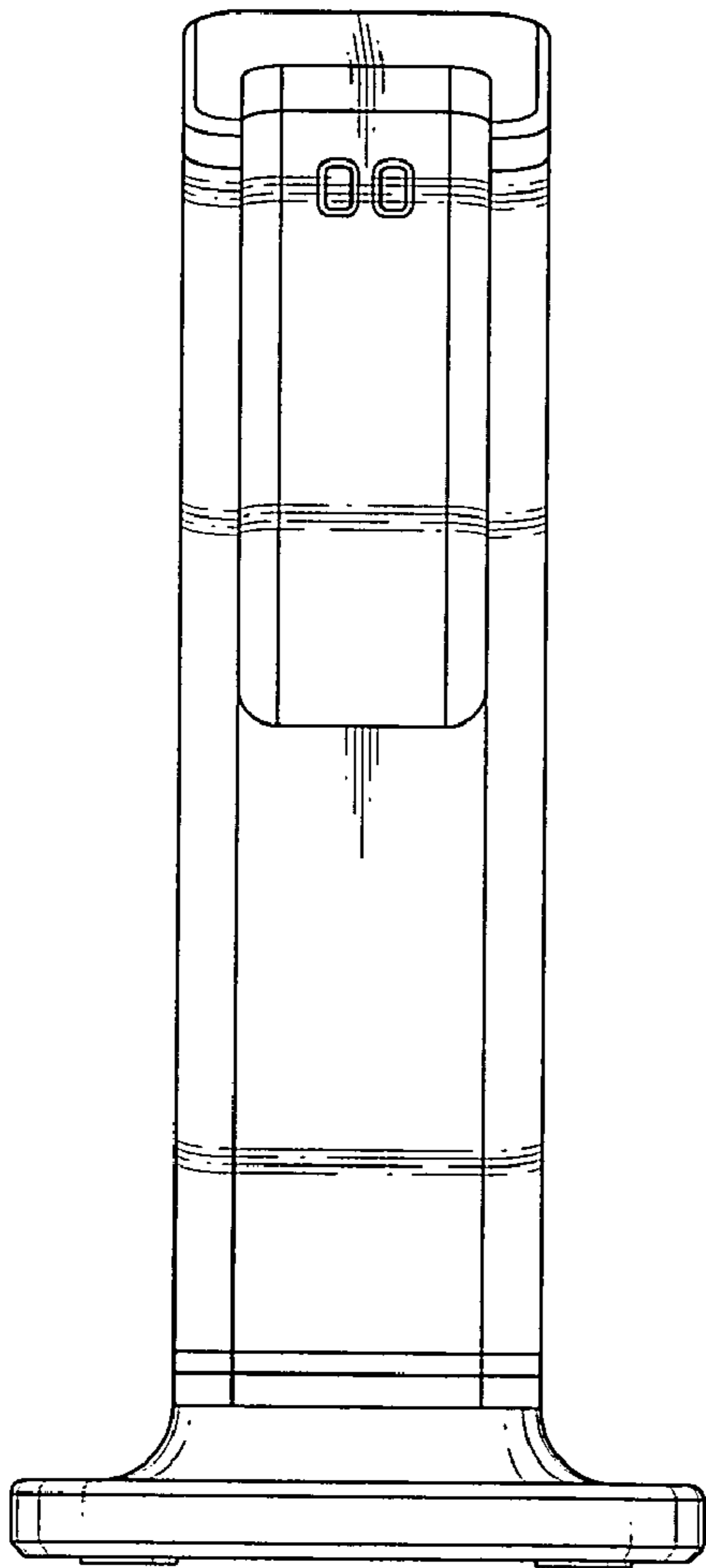


FIG. 3

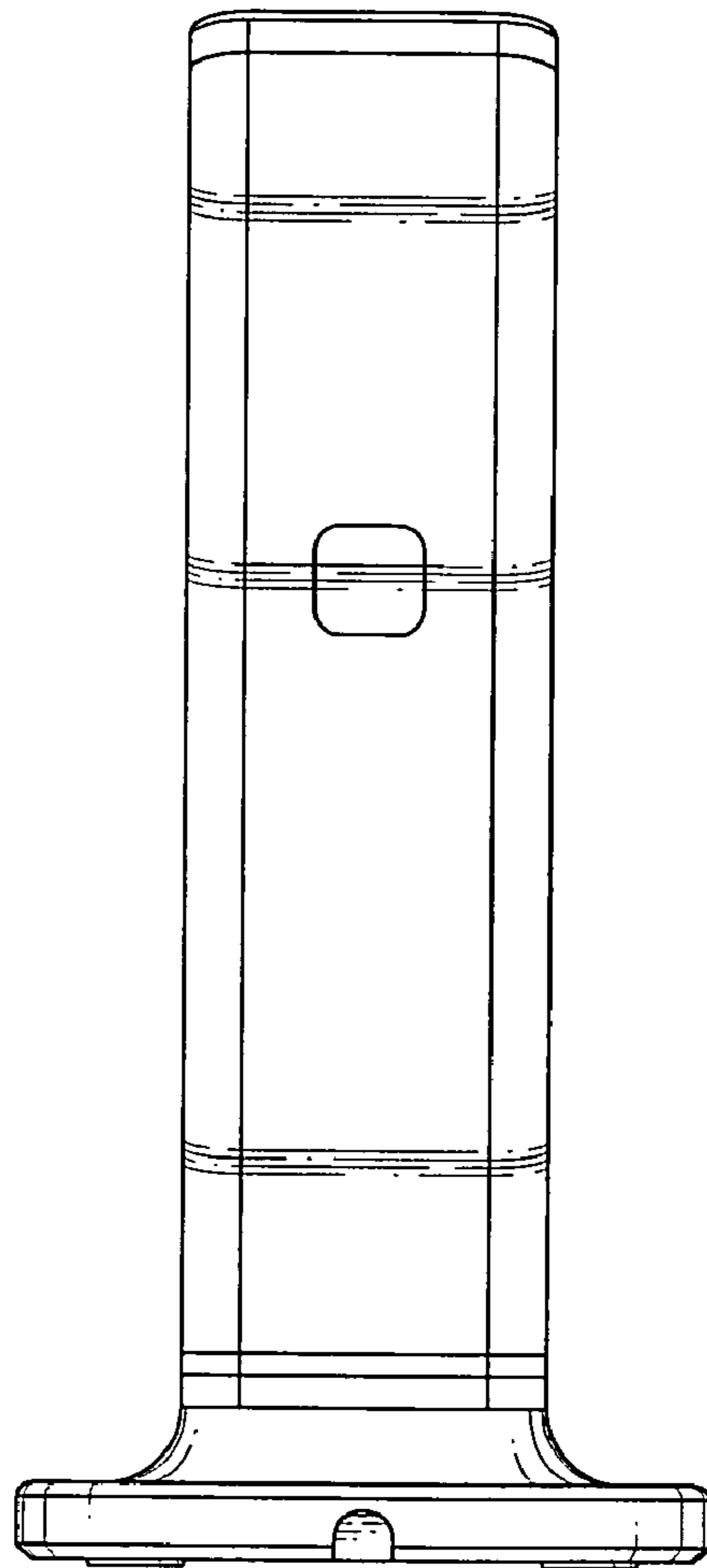


FIG. 4

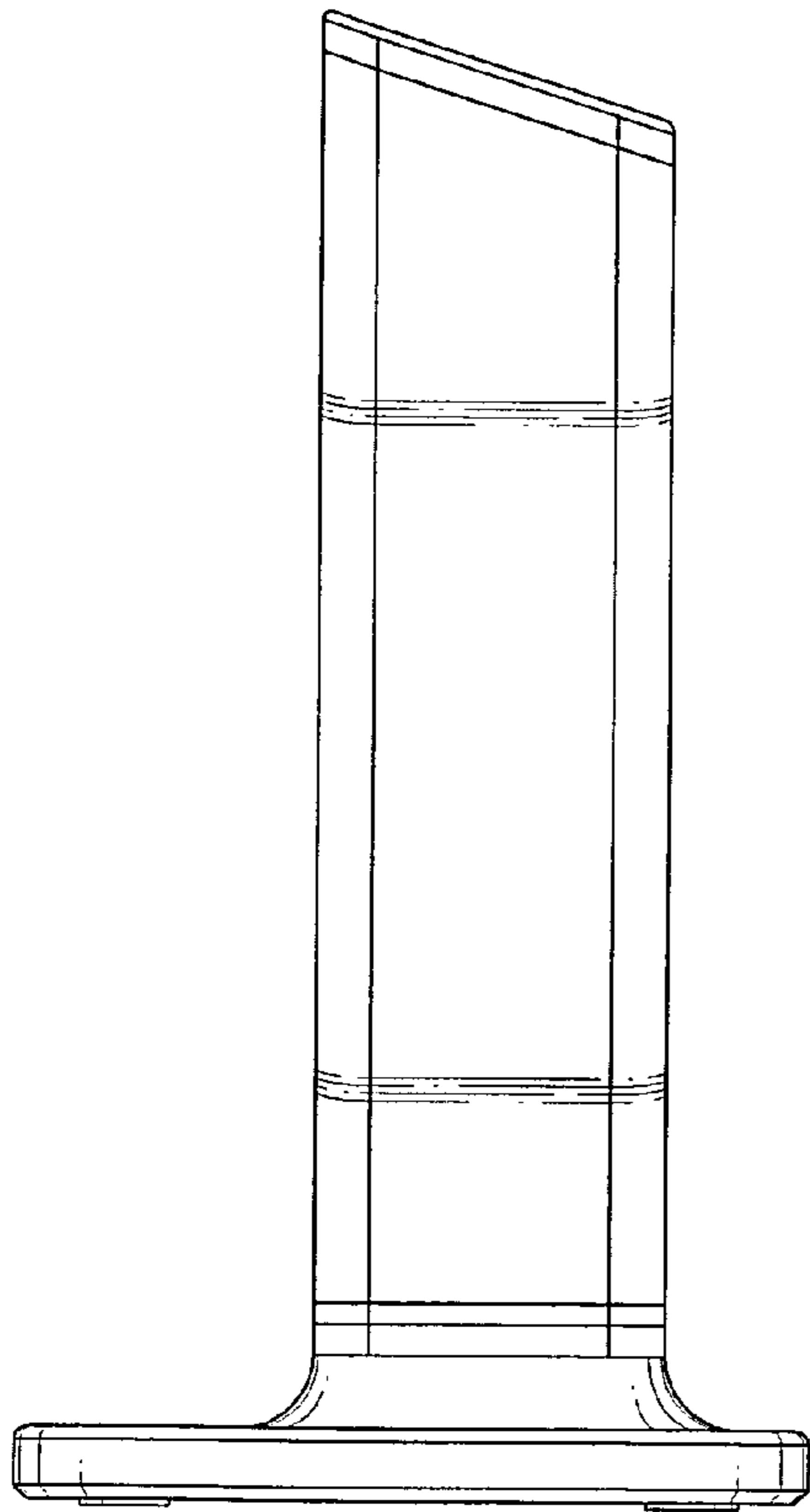


FIG. 5

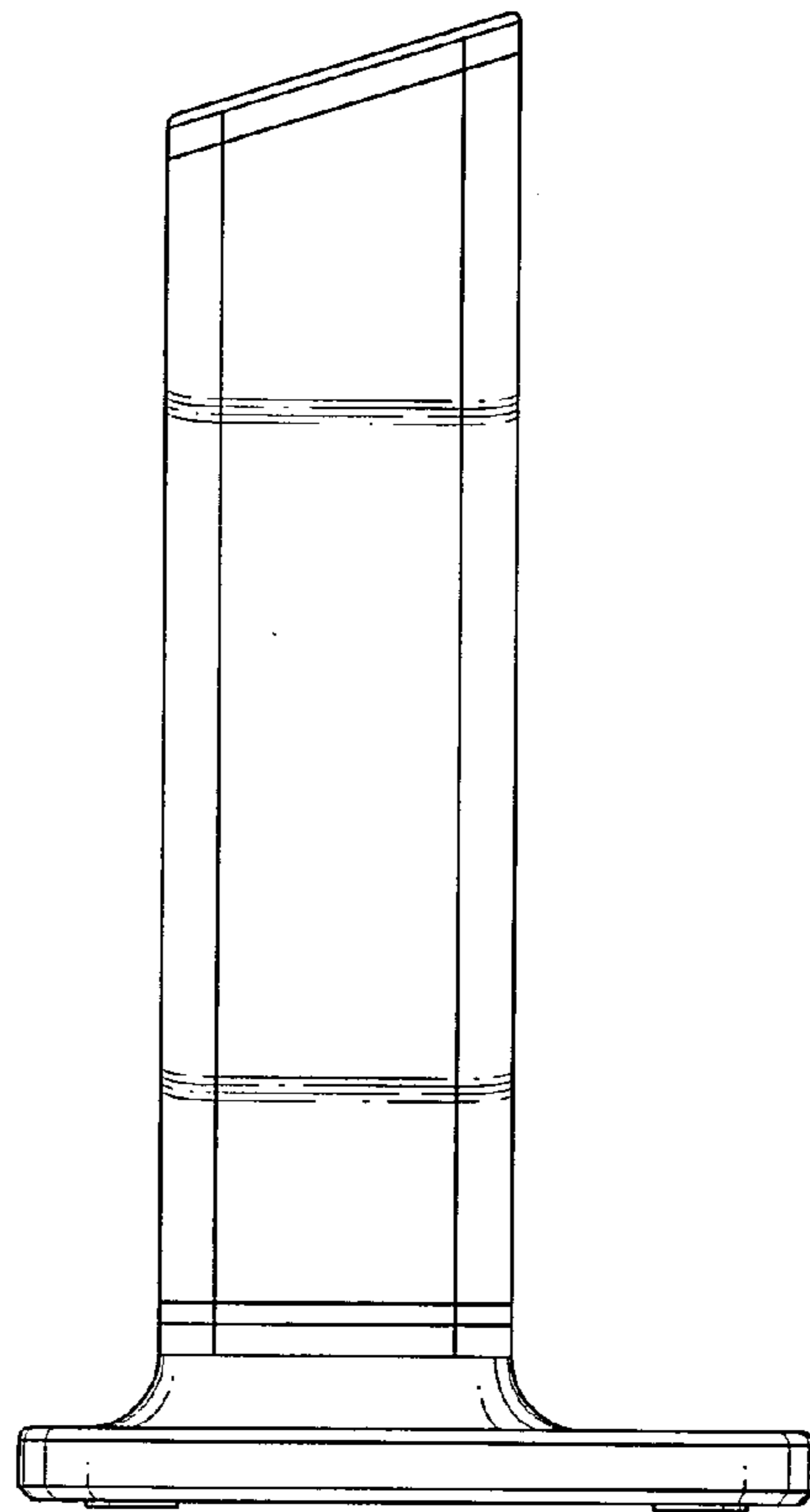


FIG. 6

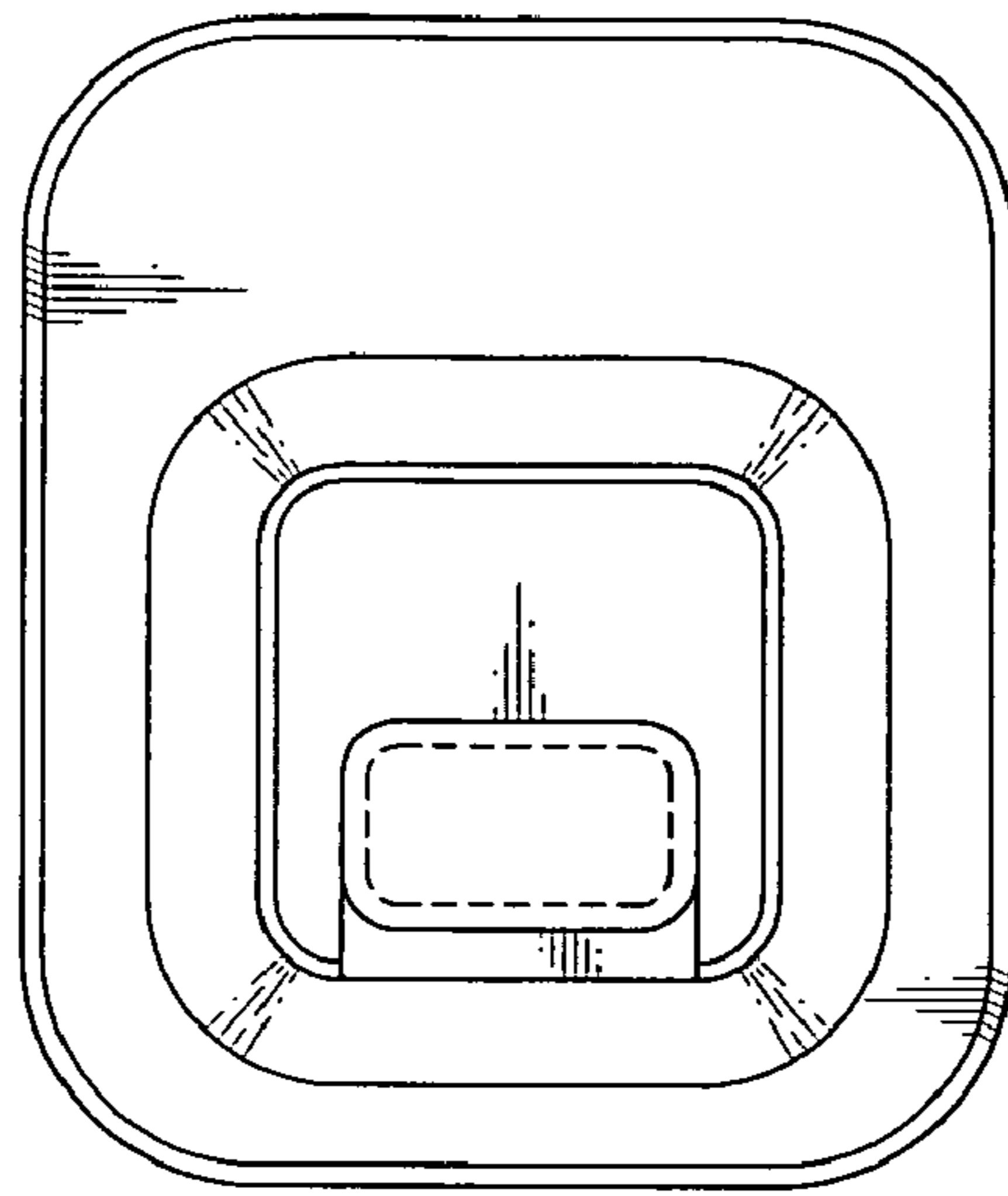


FIG. 7

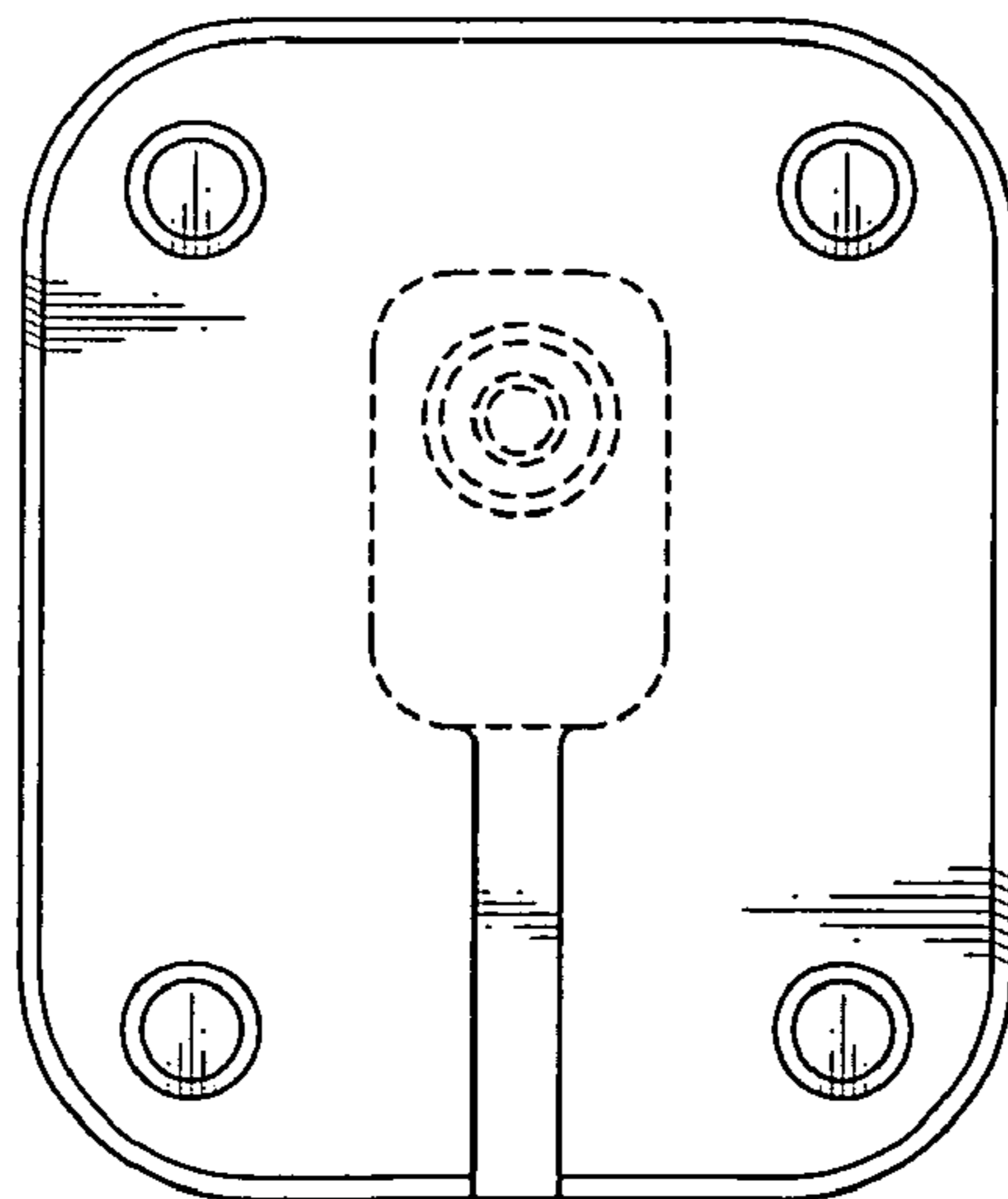


FIG. 8

