



US00D594406S

(12) **United States Design Patent**
Ellsworth

(10) **Patent No.:** **US D594,406 S**

(45) **Date of Patent:** **** Jun. 16, 2009**

(54) **COMBINED JUMP STARTER AND INFLATOR**

D549,644 S * 8/2007 Hulden D13/107

(75) Inventor: **Kevin Ellsworth**, Labelle, FL (US)

* cited by examiner

(73) Assignee: **Black & Decker Inc.**, Newark, DE (US)

Primary Examiner—Jennifer Rivard
Assistant Examiner—Rosemary K Tarcza

(**) Term: **14 Years**

(74) *Attorney, Agent, or Firm*—Wesley W. Muller

(21) Appl. No.: **29/327,729**

(57) **CLAIM**

(22) Filed: **Nov. 12, 2008**

The ornamental design for a combined jump starter and inflator, as shown and described.

(51) **LOC (9) Cl.** **13-02**

(52) **U.S. Cl.** **D13/107**

(58) **Field of Classification Search** D13/106–110,
D13/118–119, 184; 320/103–105, 107–115
See application file for complete search history.

DESCRIPTION

FIG. 1 is a front perspective view of a combined jump starter and inflator according to the present invention;

FIG. 2 is a top view of the combined jump starter and inflator of FIG. 1;

FIG. 3 is a bottom view of the combined jump starter and inflator of FIG. 1;

FIG. 4 is a right side view of the combined jump starter and inflator of FIG. 1;

FIG. 5 is a left side view of the combined jump starter and inflator of FIG. 1;

FIG. 6 is a front view of the combined jump starter and inflator of FIG. 1; and,

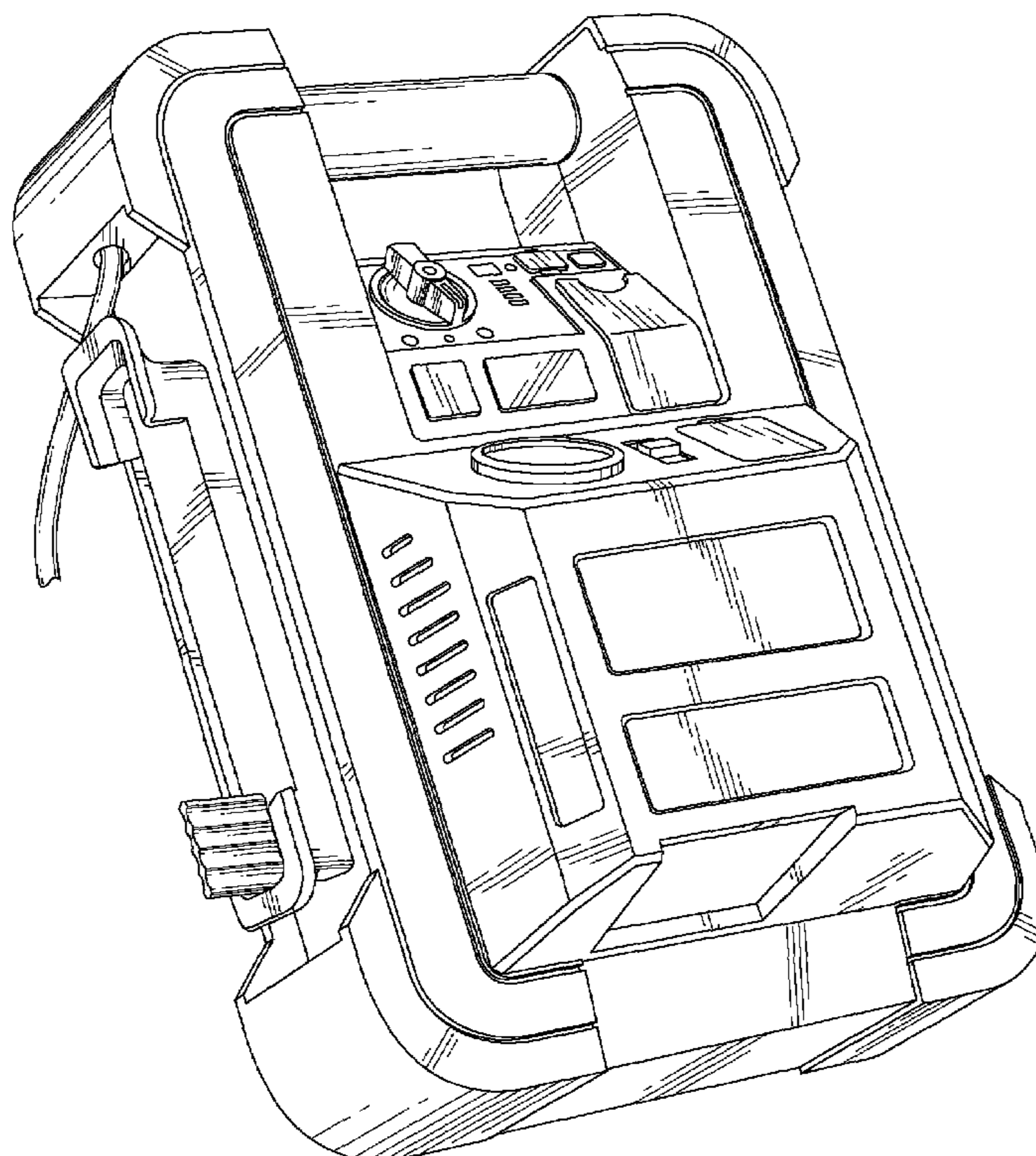
FIG. 7 is a rear view of the combined jump starter and inflator of FIG. 1.

(56) **References Cited**

U.S. PATENT DOCUMENTS

D354,729 S *	1/1995	Poon	D13/106
D393,446 S *	4/1998	Bellofatto et al.	D13/106
D408,782 S *	4/1999	Poon	D13/106
D423,451 S *	4/2000	Heckenast et al.	D13/110
D444,122 S *	6/2001	Krieger et al.	D13/107
D484,852 S *	1/2004	James et al.	D13/107
D493,137 S *	7/2004	Casarella	D13/107
D504,396 S *	4/2005	Hussaini et al.	D13/107
D504,869 S *	5/2005	Krieger et al.	D13/107
D517,983 S *	3/2006	Krieger et al.	D13/107
D530,664 S *	10/2006	Wingerter et al.	D13/107
D545,269 S *	6/2007	Dayan	D13/107

1 Claim, 7 Drawing Sheets



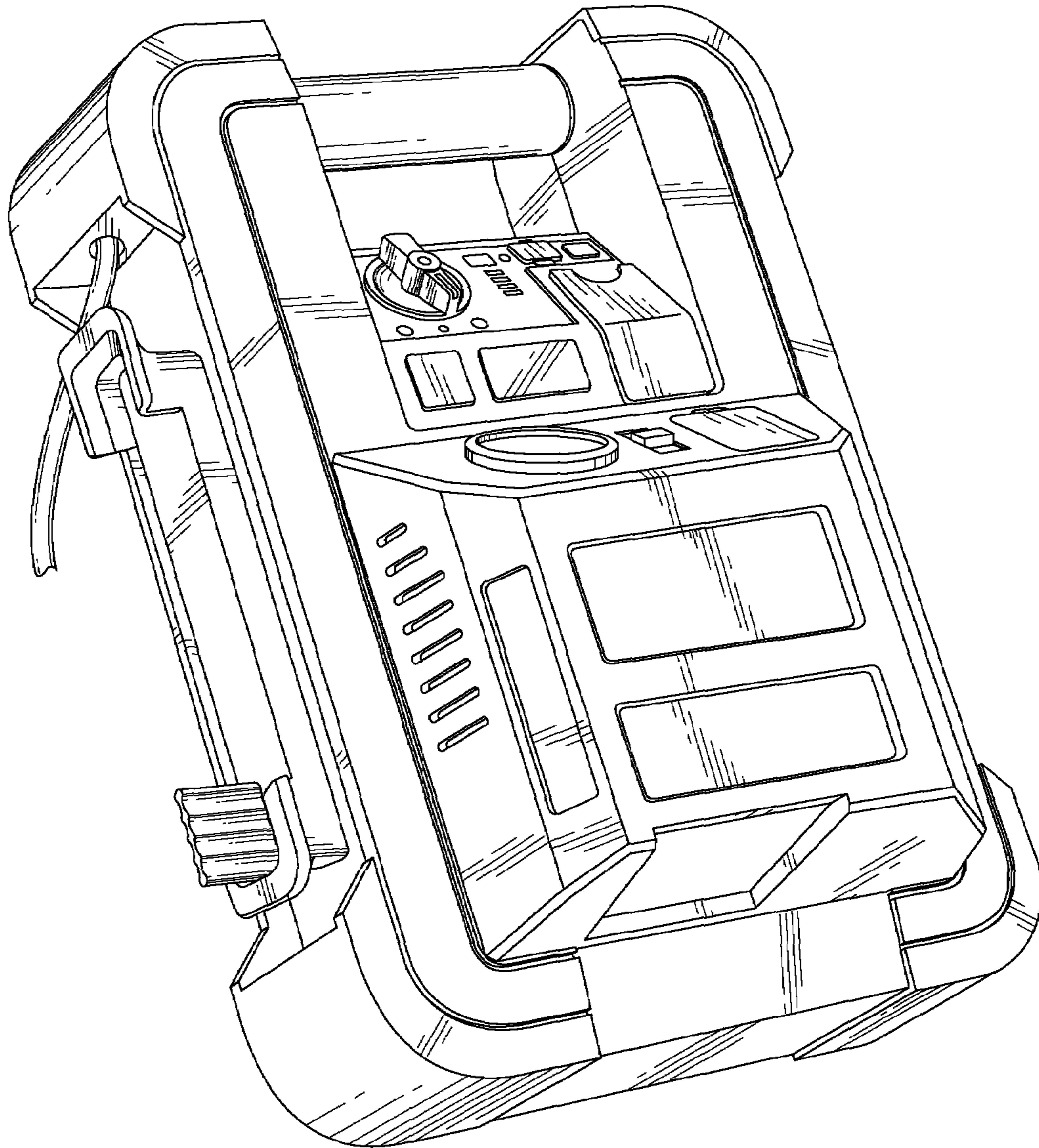


Fig. 1

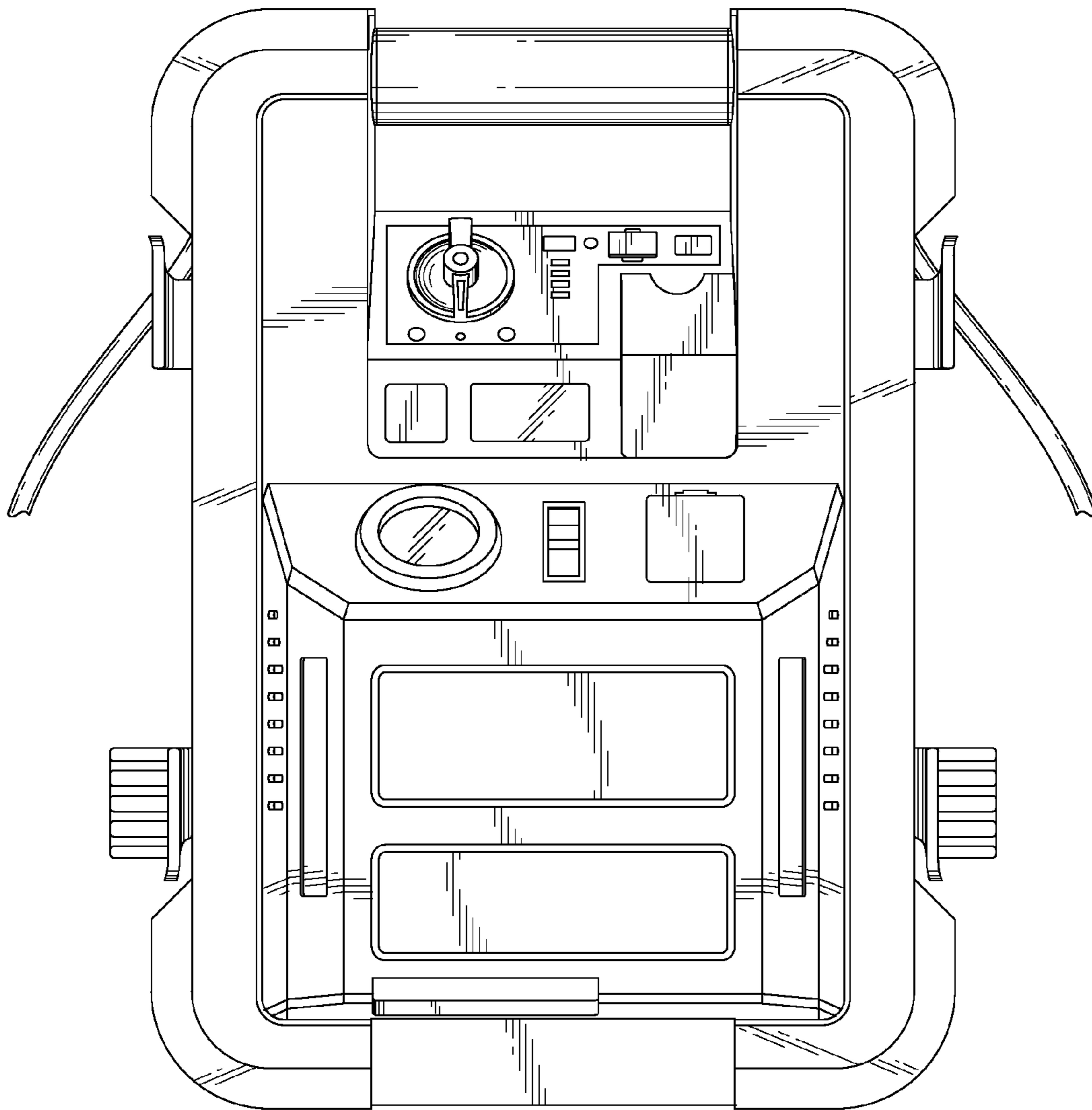


Fig. 2

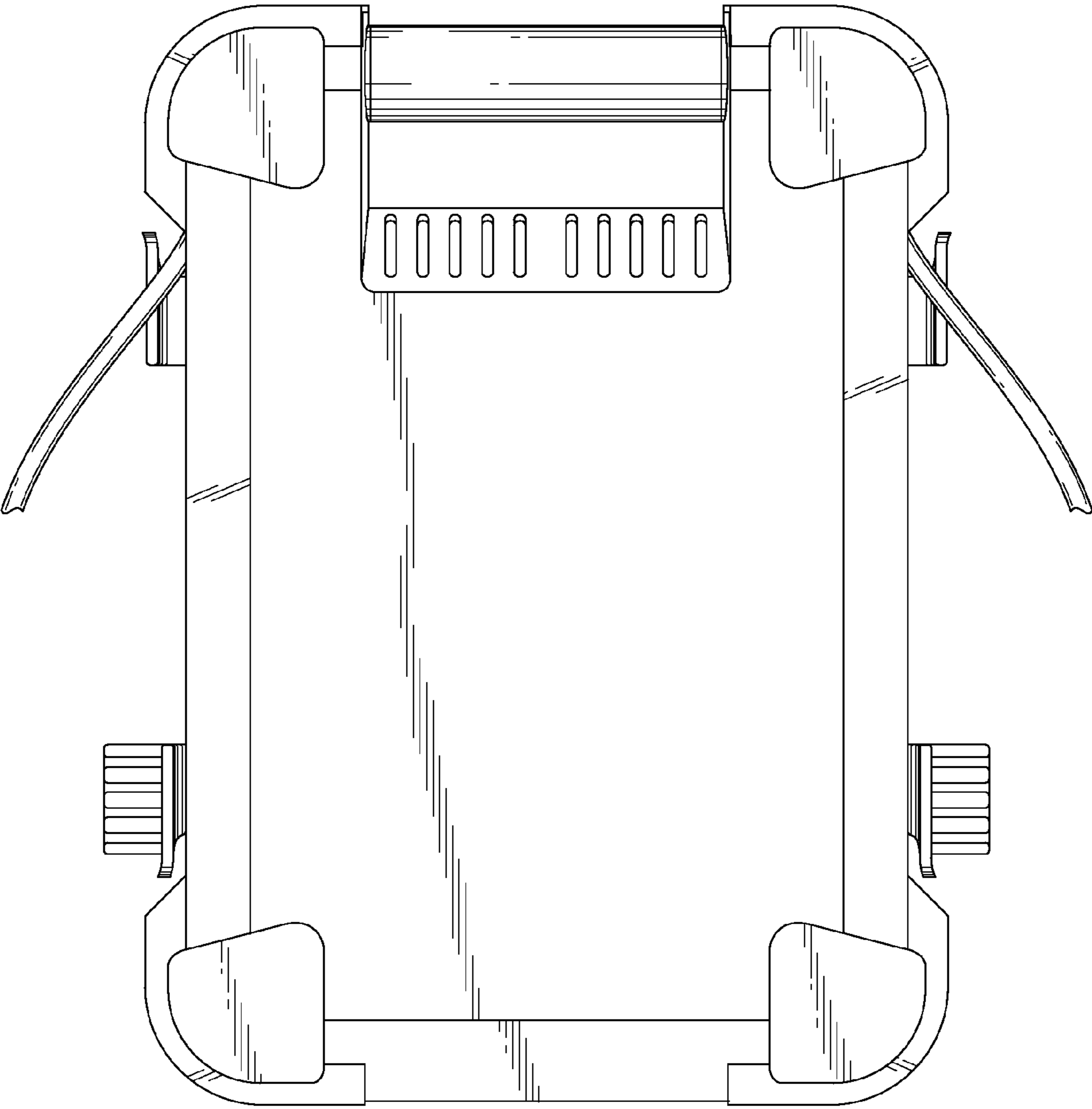


Fig. 3

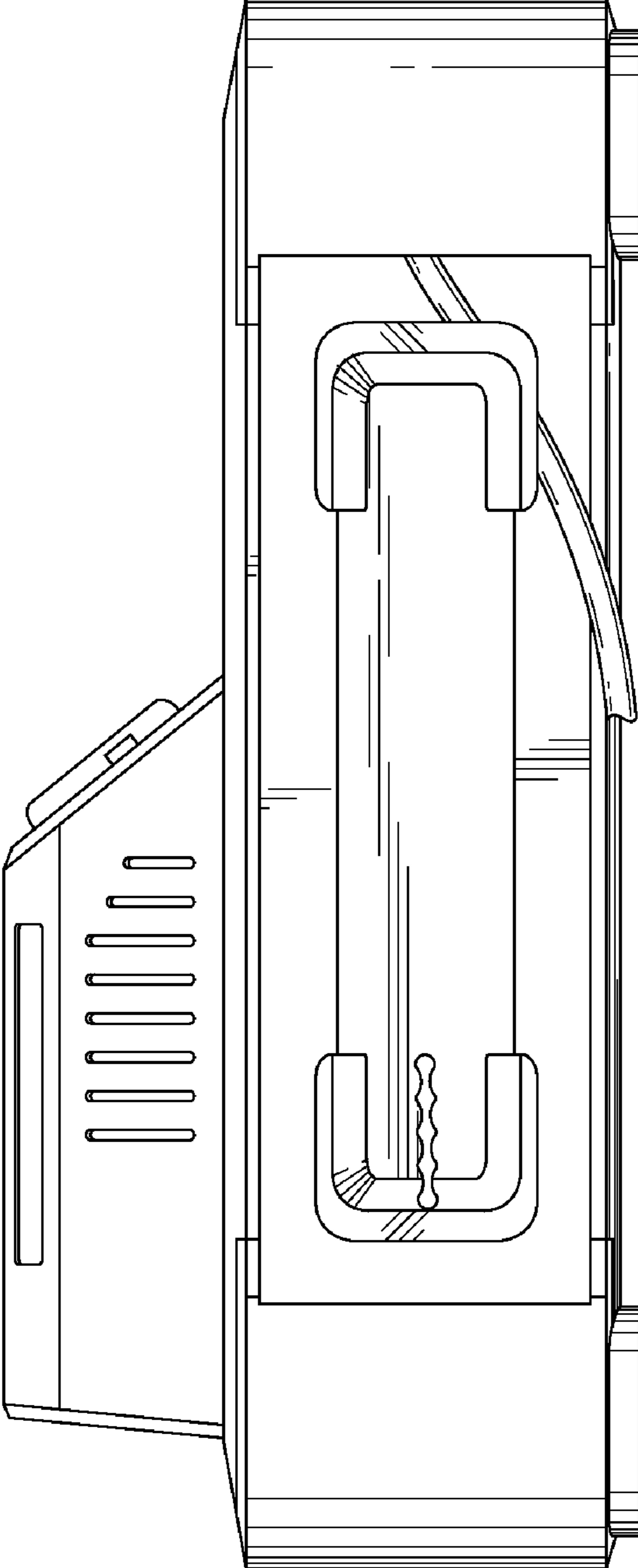


Fig. 4

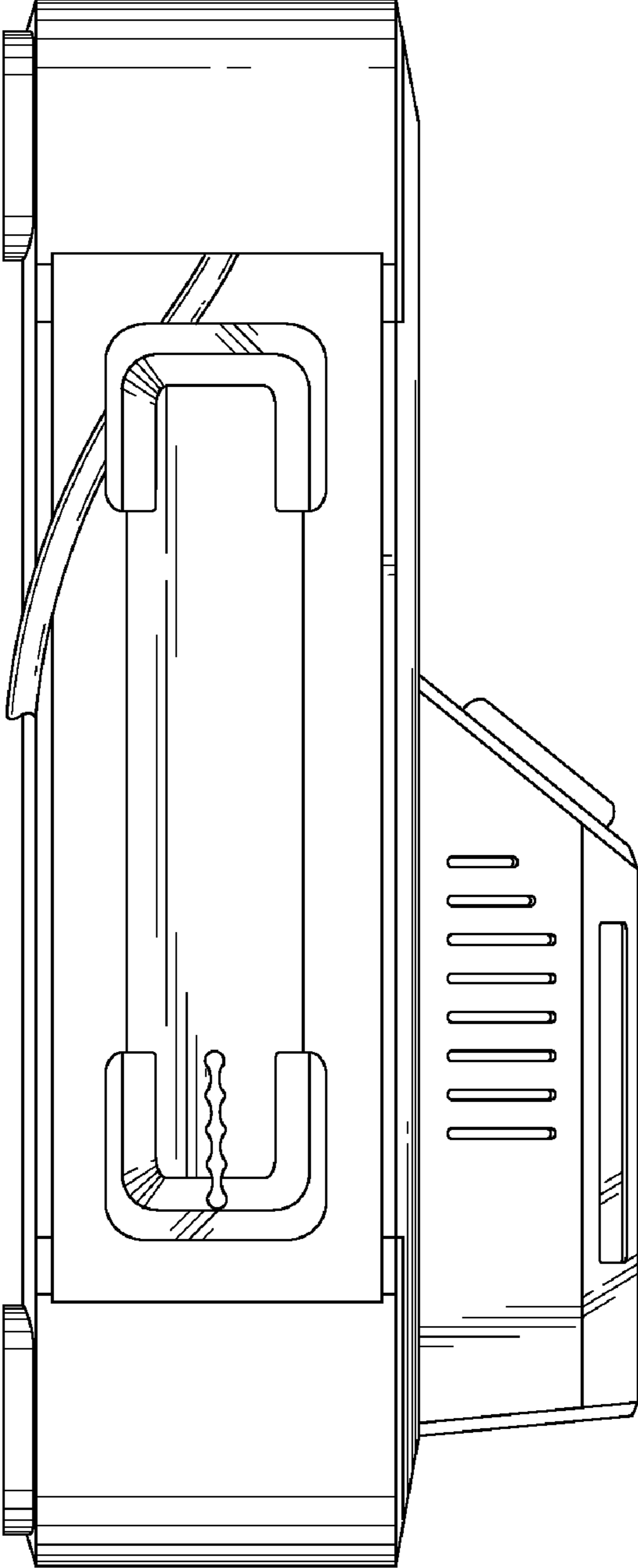


Fig. 5

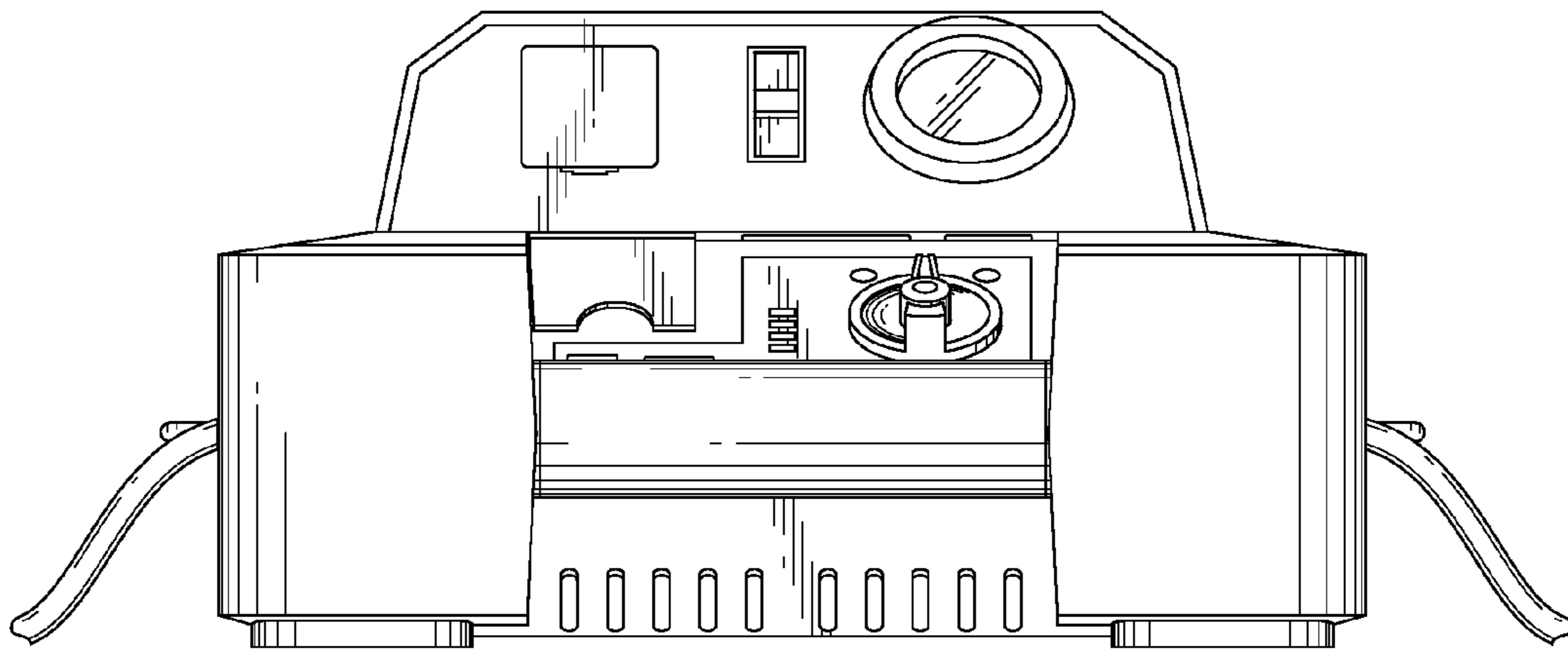


Fig. 6

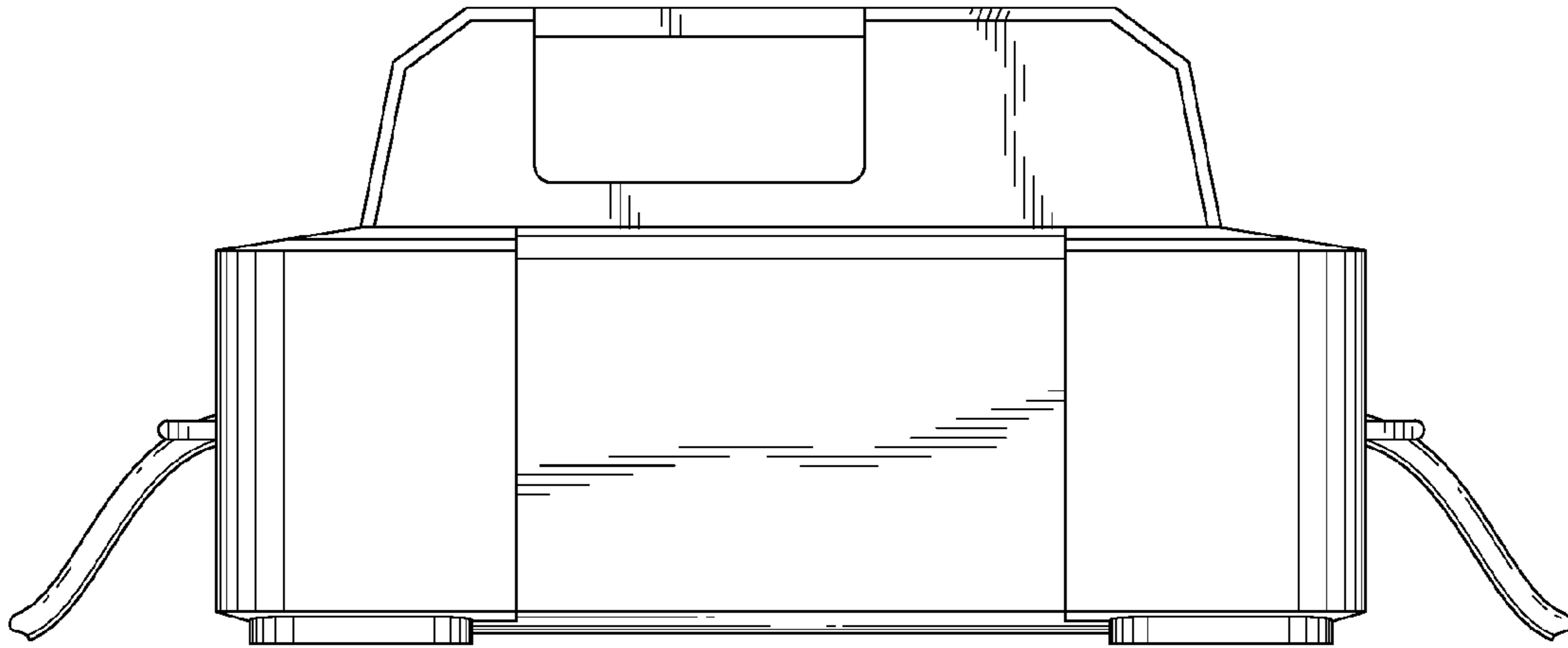


Fig. 7