



US00D594405S

(12) **United States Design Patent**  
**Murray et al.**

(10) **Patent No.:** **US D594,405 S**

(45) **Date of Patent:** **\*\* Jun. 16, 2009**

(54) **BATTERY CHARGER**

(75) Inventors: **Christopher J. Murray**, Baltimore, MD (US); **Adam M. O'Hern**, Cambridge, MA (US); **Roberto K. Ansourian**, Pembroke Pines, FL (US)

(73) Assignee: **Black & Decker Inc.**, Newark, DE (US)

(\*\*) Term: **14 Years**

(21) Appl. No.: **29/324,985**

(22) Filed: **Sep. 24, 2008**

(51) **LOC (9) Cl.** ..... **13-02**

(52) **U.S. Cl.** ..... **D13/107**

(58) **Field of Classification Search** ..... D13/107-110,  
D13/118-119, 184; D14/251, 253, 432,  
D14/434; 320/107-115

See application file for complete search history.

(56) **References Cited**

**U.S. PATENT DOCUMENTS**

D254,980 S *	5/1980	White et al. ....	D21/395
5,689,171 A *	11/1997	Ludewig .....	320/110
D530,272 S *	10/2006	Hulden .....	D13/107
D535,614 S *	1/2007	Majanen et al. ....	D13/108
D568,809 S *	5/2008	Izumo et al. ....	D13/108

\* cited by examiner

*Primary Examiner*—Jennifer Rivard

*Assistant Examiner*—Rosemary K Tarcza

(74) *Attorney, Agent, or Firm*—Wesley W. Muller

(57) **CLAIM**

The ornamental design for a battery charger, as shown and described.

**DESCRIPTION**

FIG. 1 is a front perspective view of a battery charger according to the present invention;

FIG. 2 is a rear perspective view of the battery charger of FIG. 1;

FIG. 3 is a left side view of the battery charger of FIG. 1;

FIG. 4 is a right view of the battery charger of FIG. 1;

FIG. 5 is a front view of the battery charger of FIG. 1;

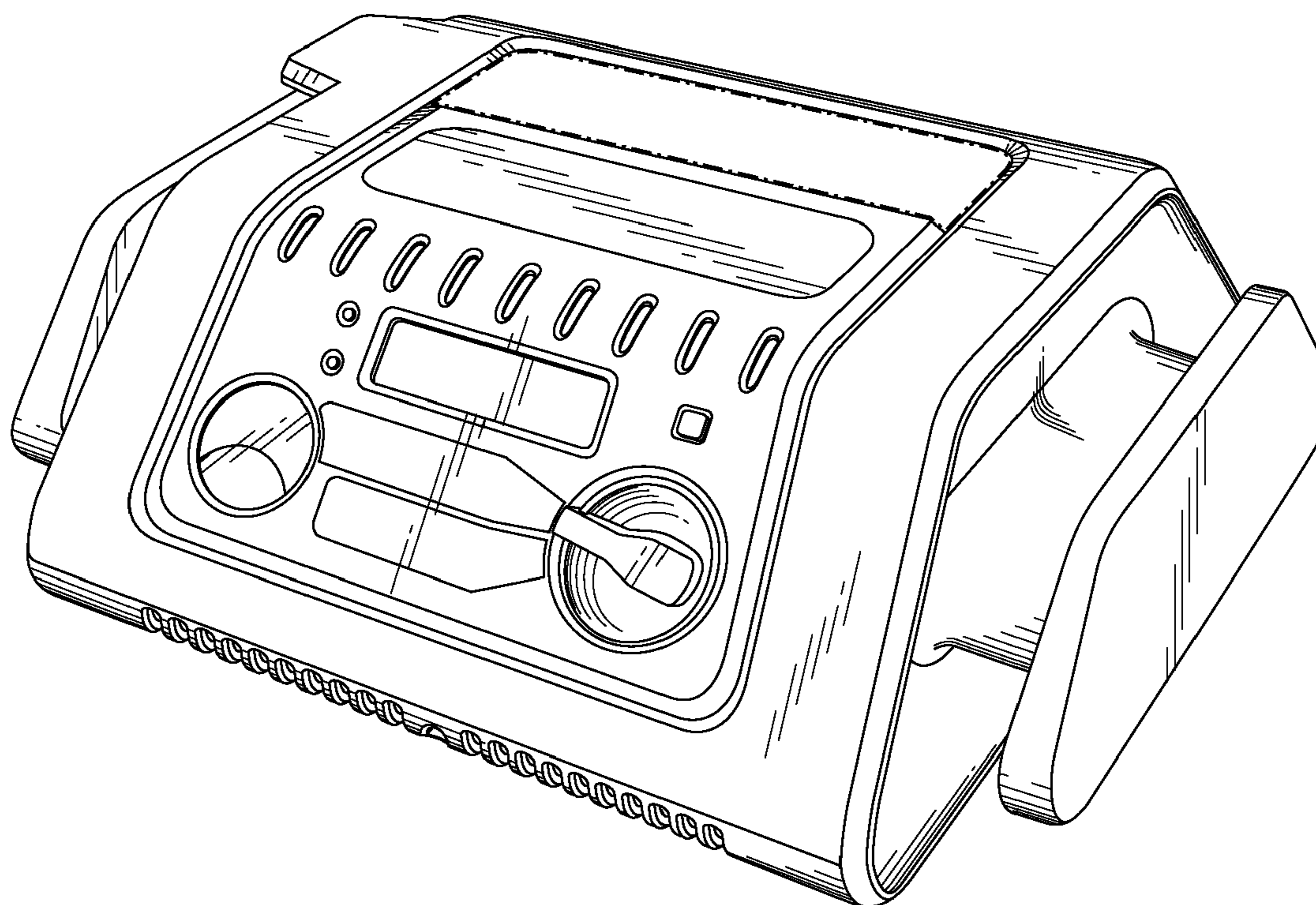
FIG. 6 is a rear view of the battery charger of FIG. 1;

FIG. 7 is a top view of the battery charger of FIG. 1; and,

FIG. 8 is a bottom view of the battery charger of FIG. 1.

The broken lines shown in FIG. 2 are for the purpose of illustrating environmental structure and form no part of the claimed design. The dash-dot broken lines shown in FIGS. 1-2 and 7 illustrate the boundaries of the claimed design and form no part of the claimed design.

**1 Claim, 8 Drawing Sheets**



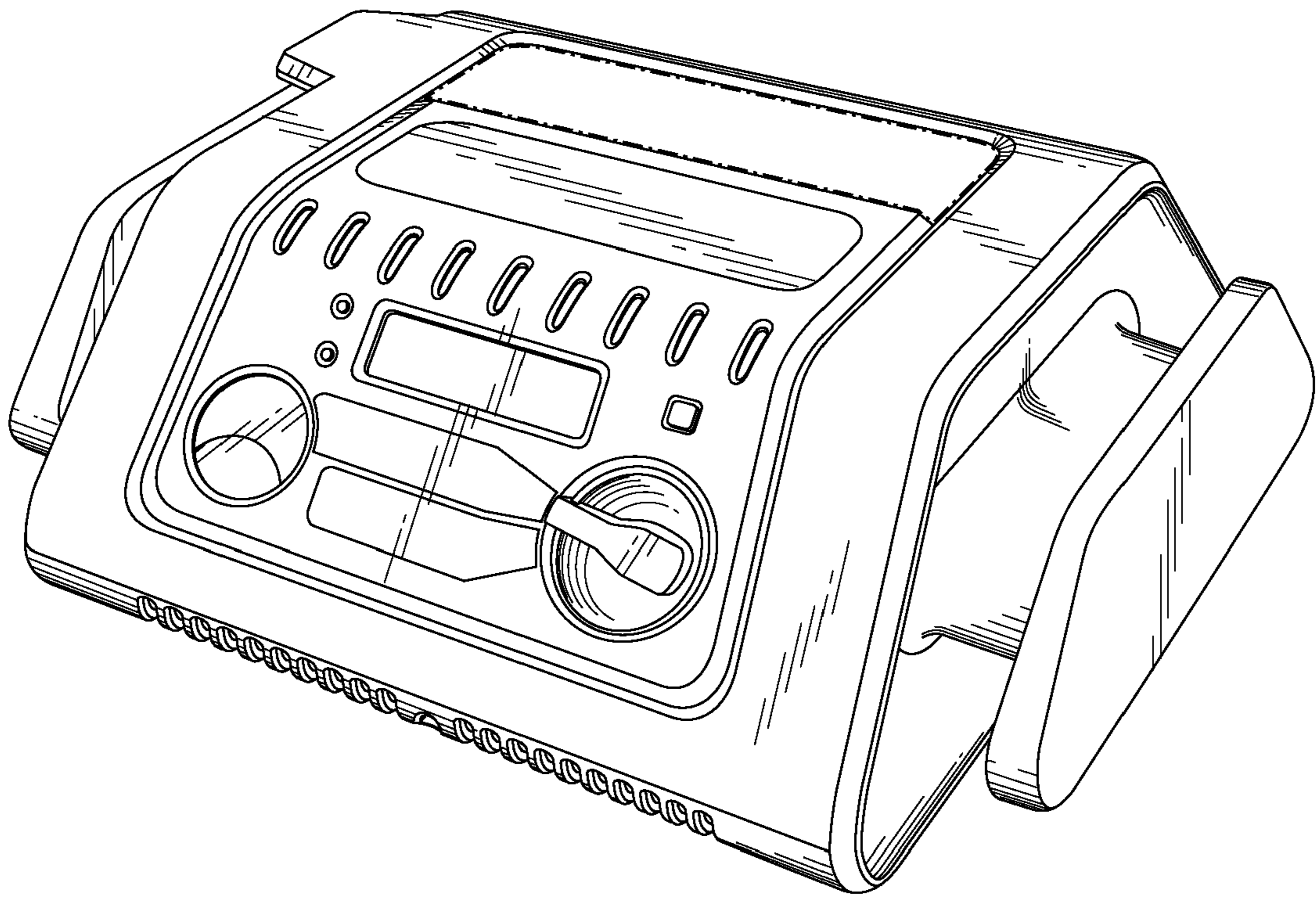


Fig. 1

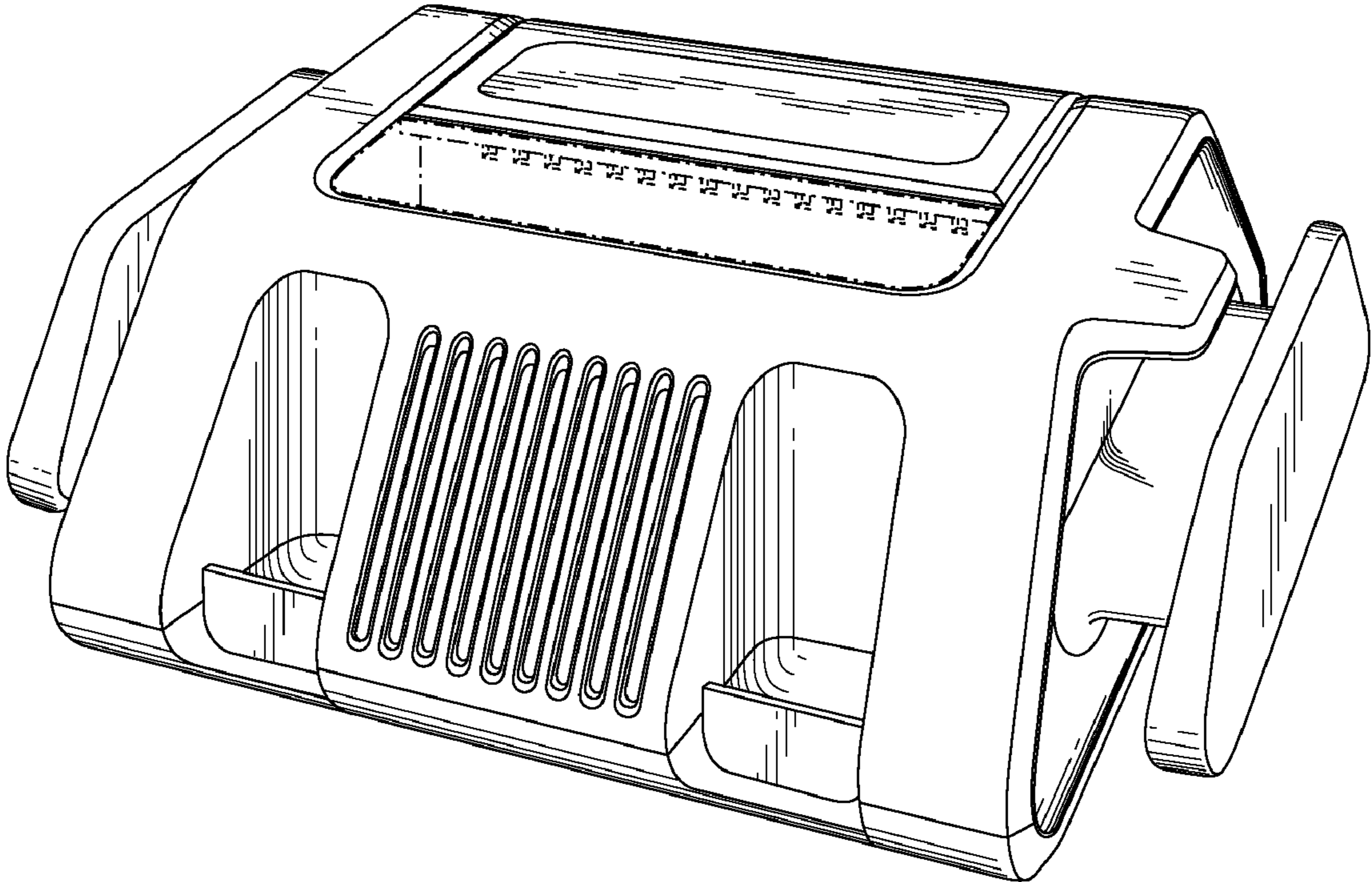


Fig. 2

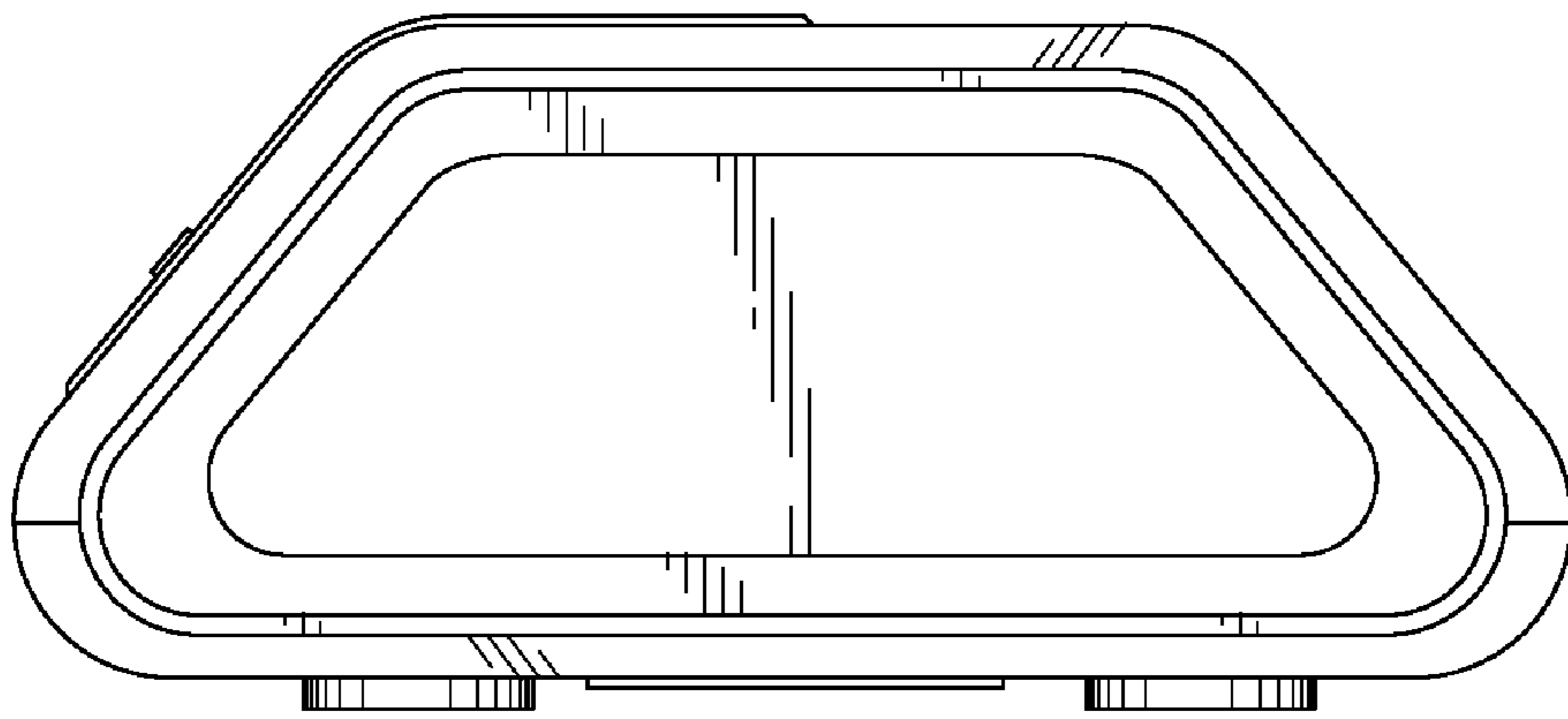


Fig. 3

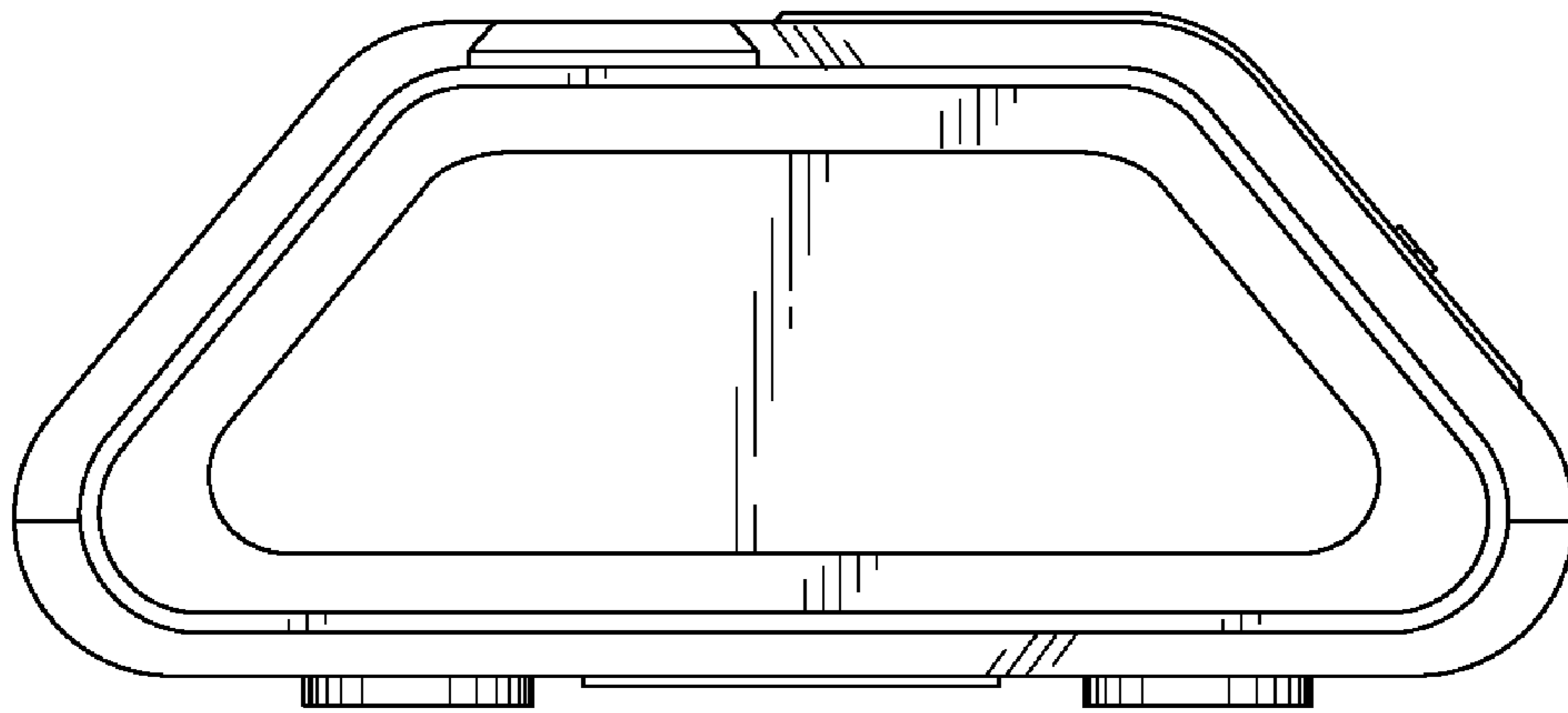


Fig. 4



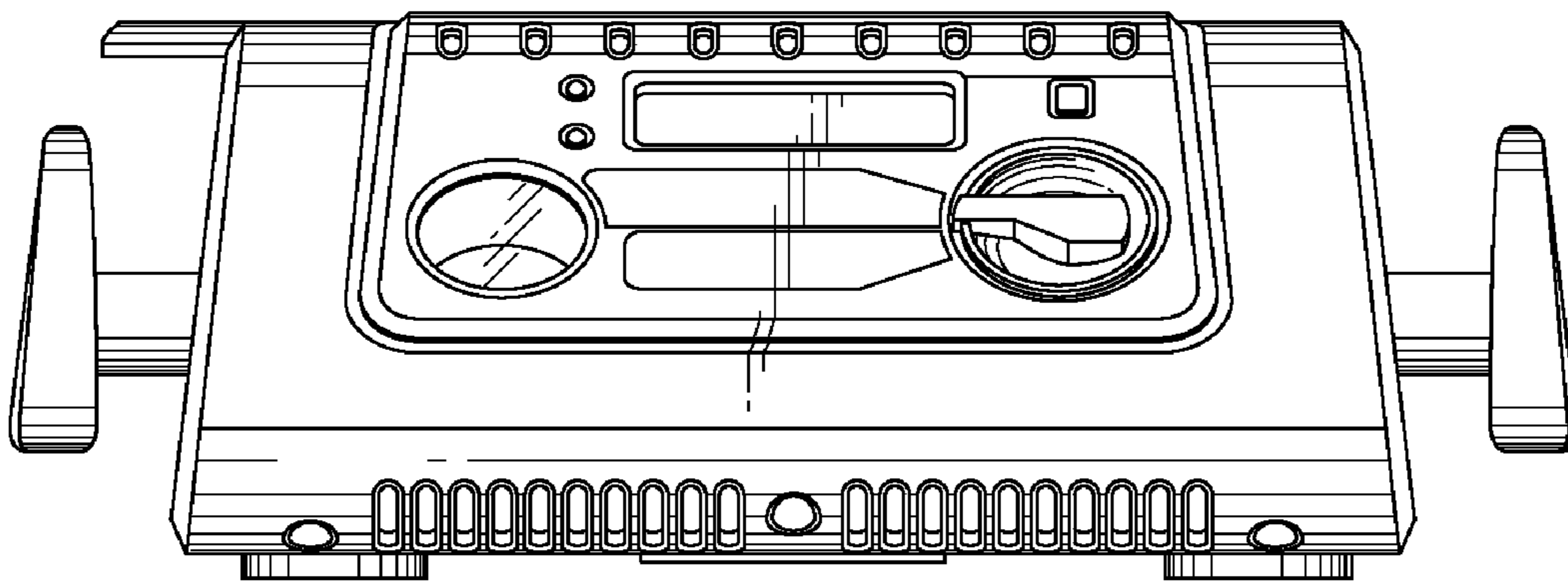


Fig. 5

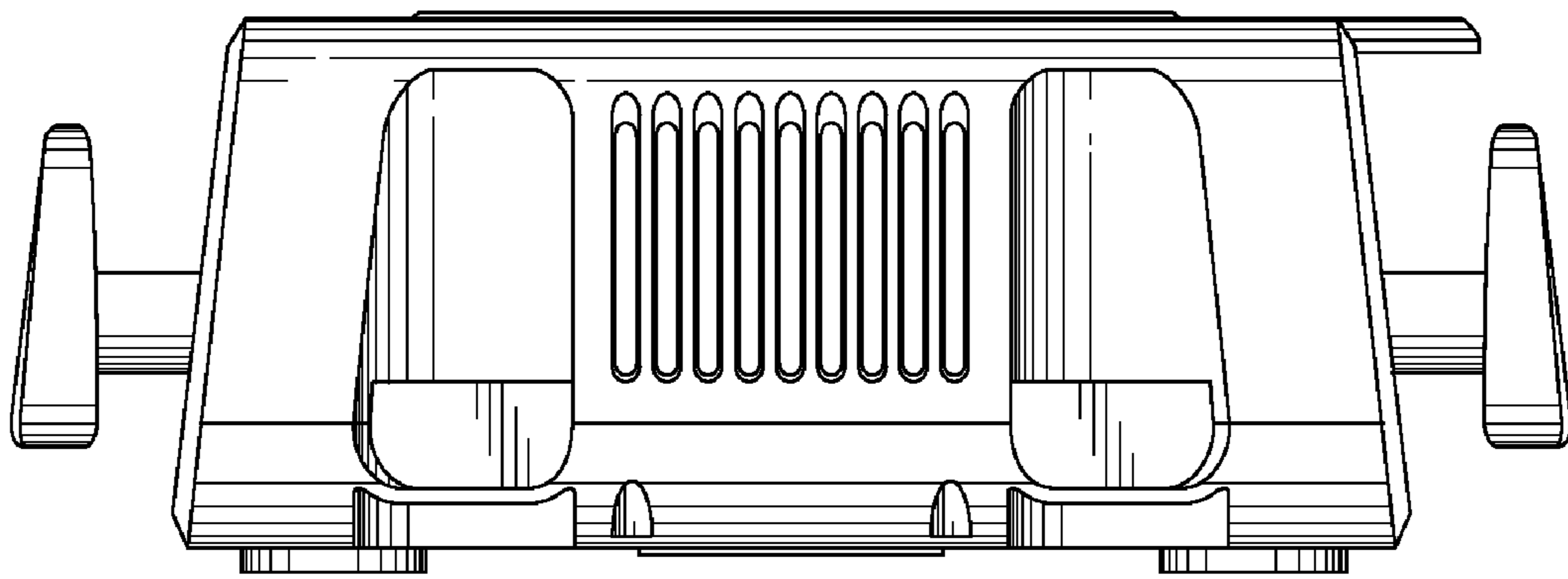


Fig. 6

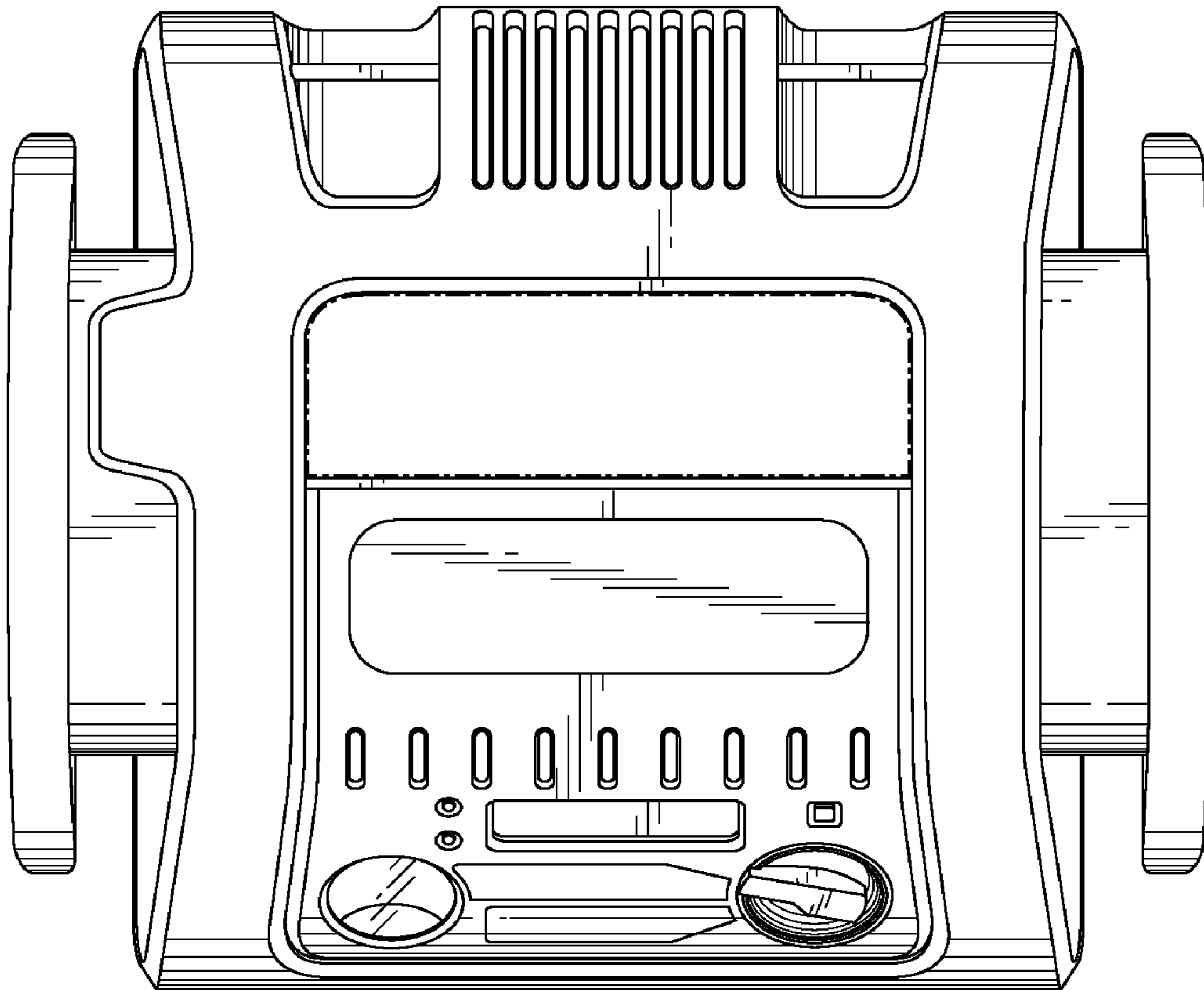


Fig. 7



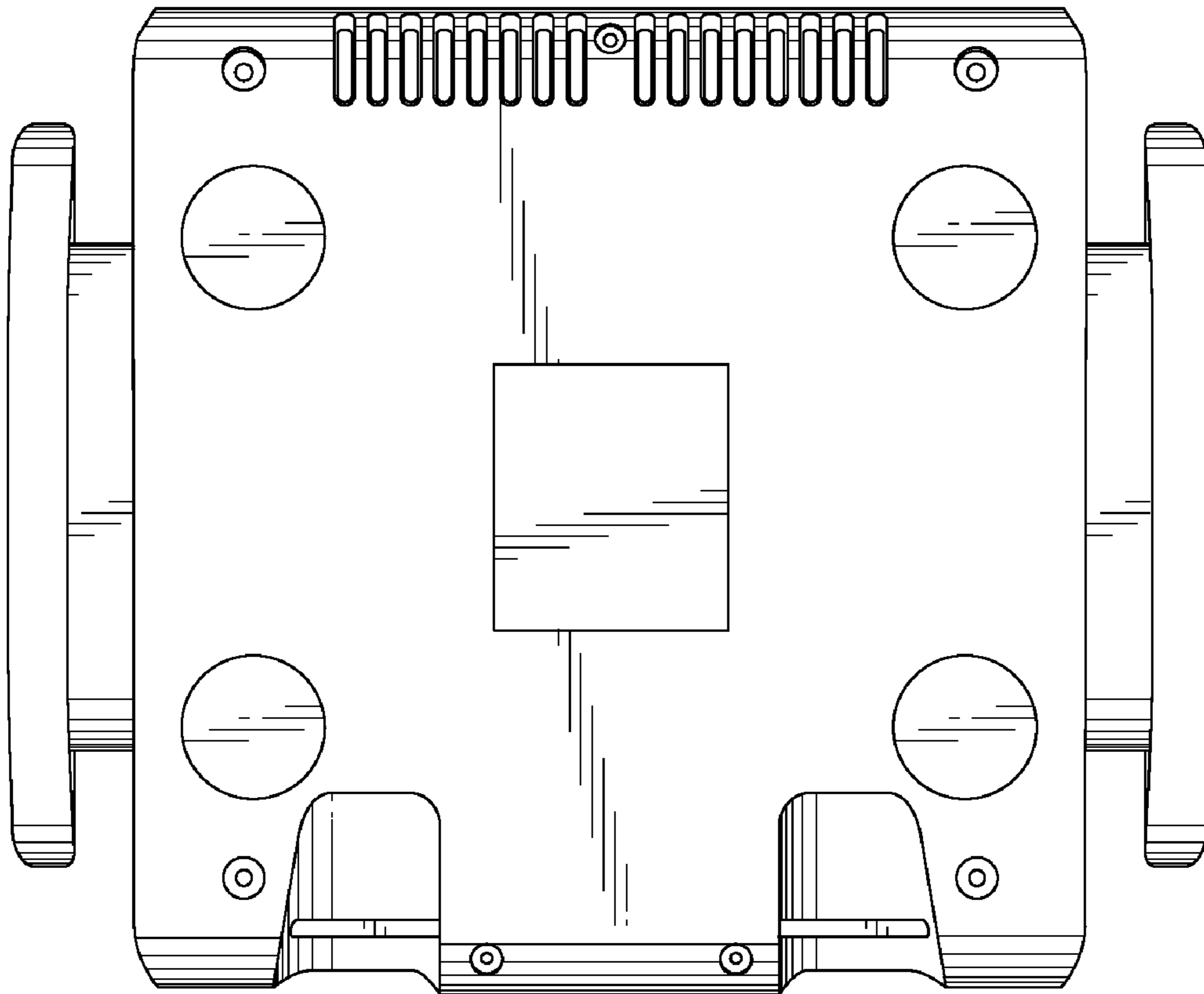


Fig. 8