

US00D594404S

(12) **United States Design Patent**  
**Kuo et al.**

(10) **Patent No.:** **US D594,404 S**  
(45) **Date of Patent:** **\*\* Jun. 16, 2009**

(54) **CHARGER**

(75) Inventors: **Peter Kuo**, Tu-Cheng (TW); **Bing Du**, Kunshan (CN)

(73) Assignee: **Hon Hai Precision Ind. Co., Ltd.**, Taipei Hsien (TW)

(\*\*) Term: **14 Years**

(21) Appl. No.: **29/288,835**

(22) Filed: **Jun. 22, 2007**

(30) **Foreign Application Priority Data**

Dec. 22, 2006 (CN) ..... 2006 3 0310784

(51) **LOC (9) Cl.** ..... **13-02**

(52) **U.S. Cl.** ..... **D13/107**

(58) **Field of Classification Search** ..... D13/107-110,  
D13/118-119, 184; D14/251, 253, 432,  
D14/434; 320/107-115

See application file for complete search history.

(56) **References Cited**

**U.S. PATENT DOCUMENTS**

|              |         |               |       |         |
|--------------|---------|---------------|-------|---------|
| D300,678 S * | 4/1989  | Barrault      | ..... | D32/73  |
| D394,425 S * | 5/1998  | Snyder et al. | ..... | D13/118 |
| D433,994 S * | 11/2000 | Jobs et al.   | ..... | D13/110 |
| D467,539 S * | 12/2002 | Kataoka       | ..... | D13/108 |
| D468,305 S * | 1/2003  | Ma et al.     | ..... | D14/253 |
| D480,376 S * | 10/2003 | Ma            | ..... | D14/149 |

|              |         |               |       |         |
|--------------|---------|---------------|-------|---------|
| D521,927 S * | 5/2006  | Franck et al. | ..... | D13/108 |
| D525,583 S * | 7/2006  | Vu            | ..... | D13/108 |
| D544,547 S * | 6/2007  | Solland       | ..... | D21/333 |
| D558,193 S * | 12/2007 | Ju            | ..... | D14/253 |
| D558,207 S * | 12/2007 | Ikeda et al.  | ..... | D14/434 |
| D558,208 S * | 12/2007 | Ikeda et al.  | ..... | D14/434 |
| D558,209 S * | 12/2007 | Ikeda et al.  | ..... | D14/434 |

\* cited by examiner

*Primary Examiner*—Jennifer Rivard

*Assistant Examiner*—Rosemary K Tarcza

(74) *Attorney, Agent, or Firm*—Wei Te Chung

(57) **CLAIM**

The ornamental design for a charger, as shown and described.

**DESCRIPTION**

FIG. 1 is a front, top and right side perspective view of a charger;

FIG. 2 is a front elevational view thereof;

FIG. 3 is a rear elevational view thereof;

FIG. 4 is a left side elevational view thereof;

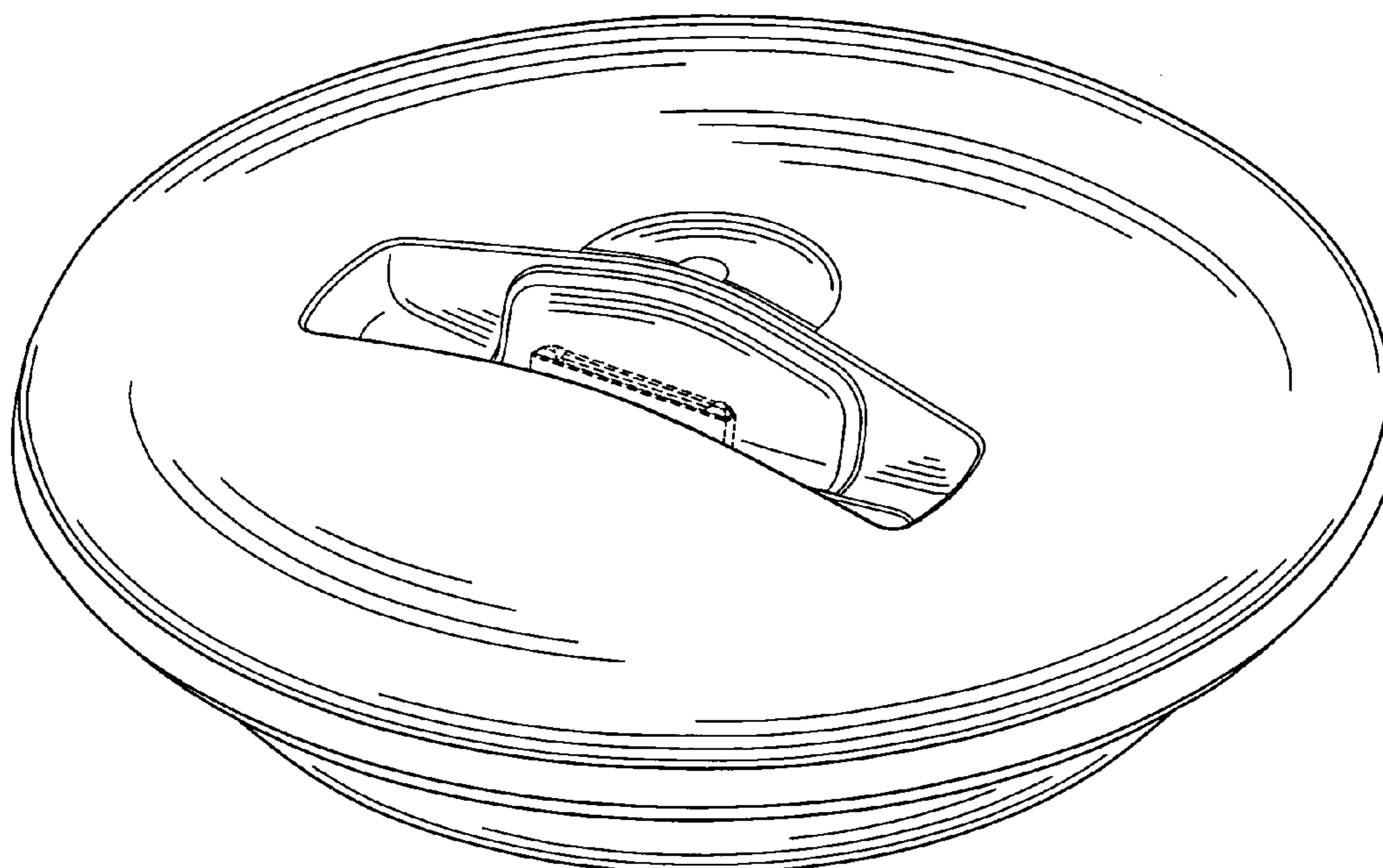
FIG. 5 is a right side elevational view thereof;

FIG. 6 is a top plan view thereof; and,

FIG. 7 is a bottom plan view thereof.

The portions of the charger shown in broken lines forms no part of the claimed design.

**1 Claim, 7 Drawing Sheets**



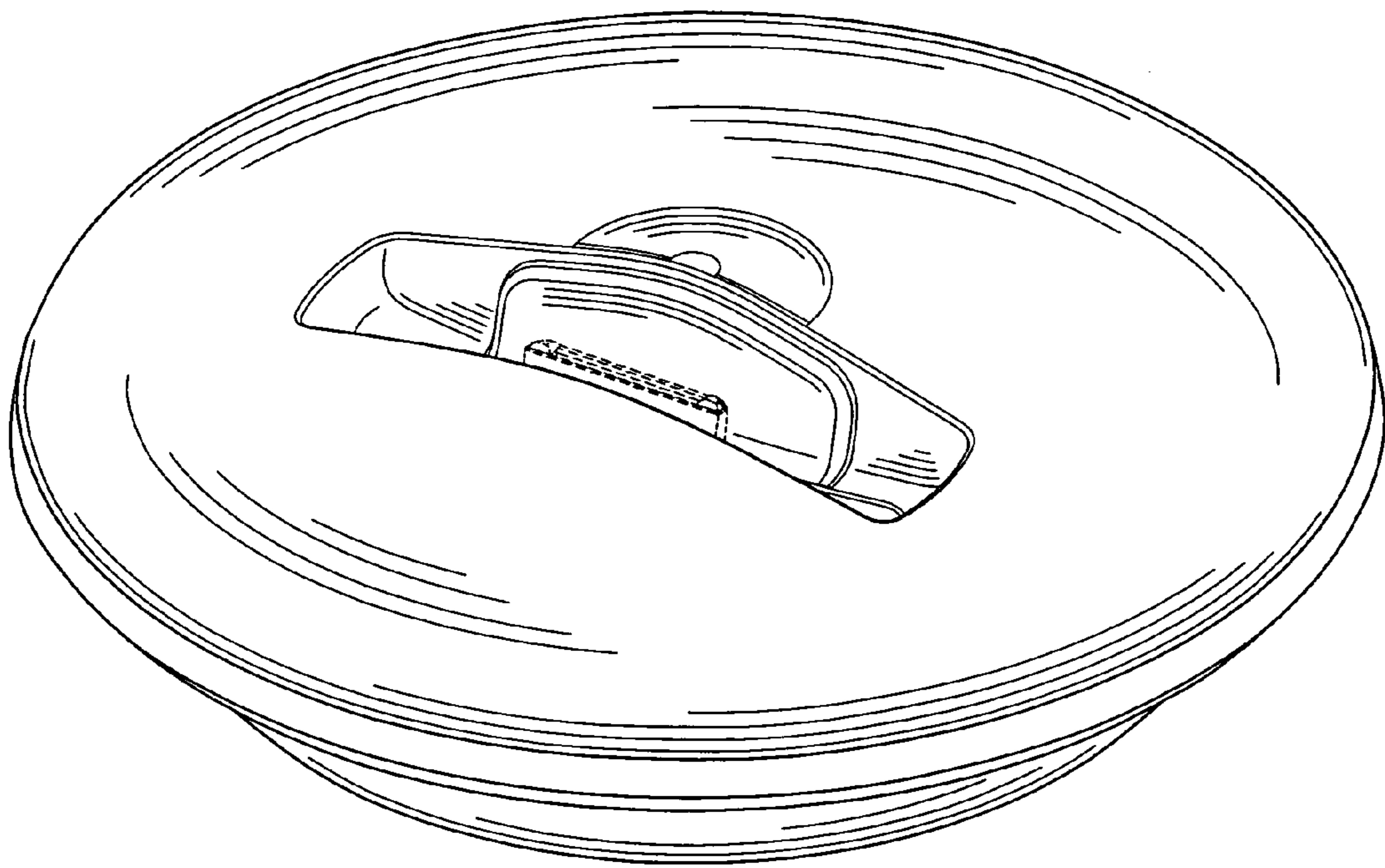


FIG. 1

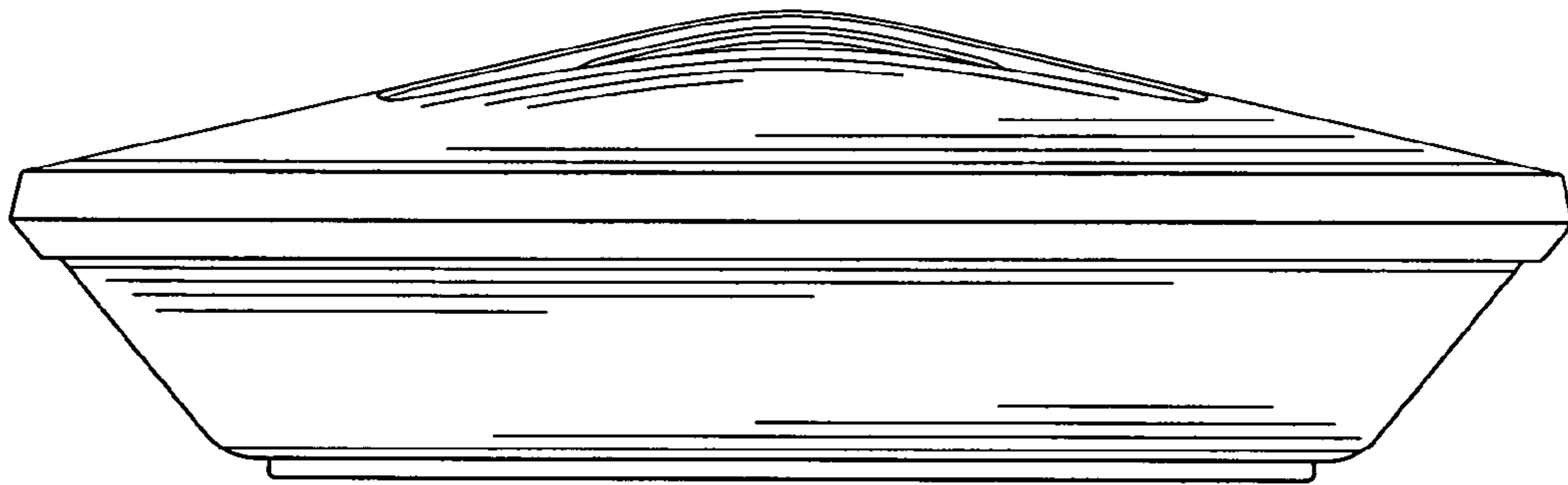


FIG. 2

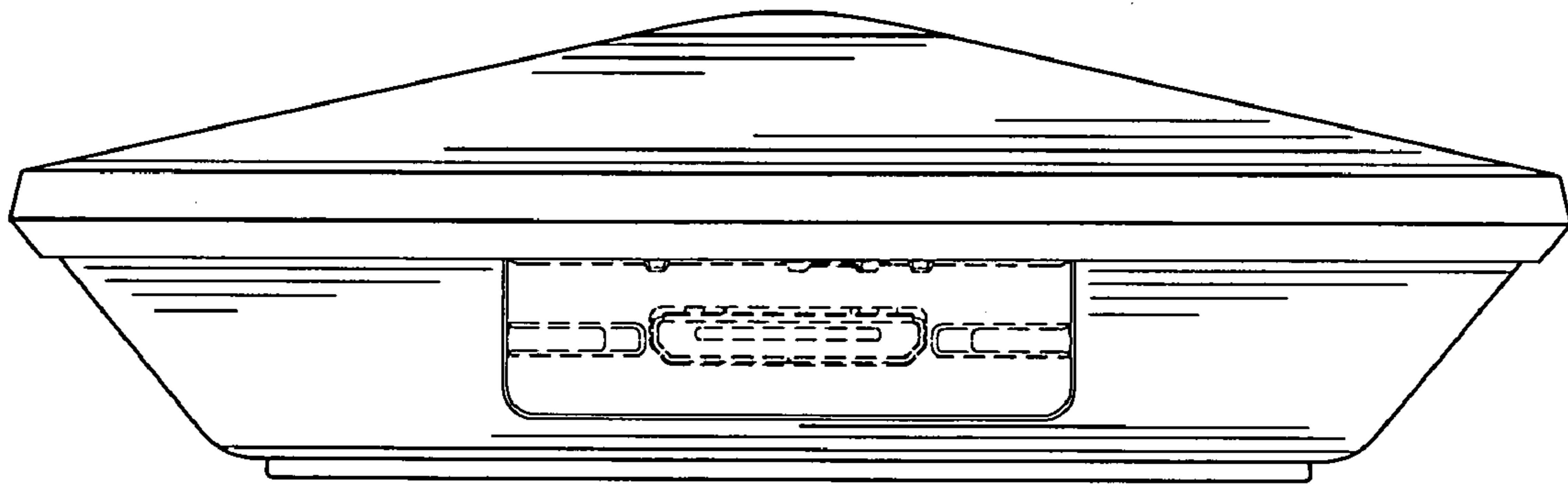


FIG. 3

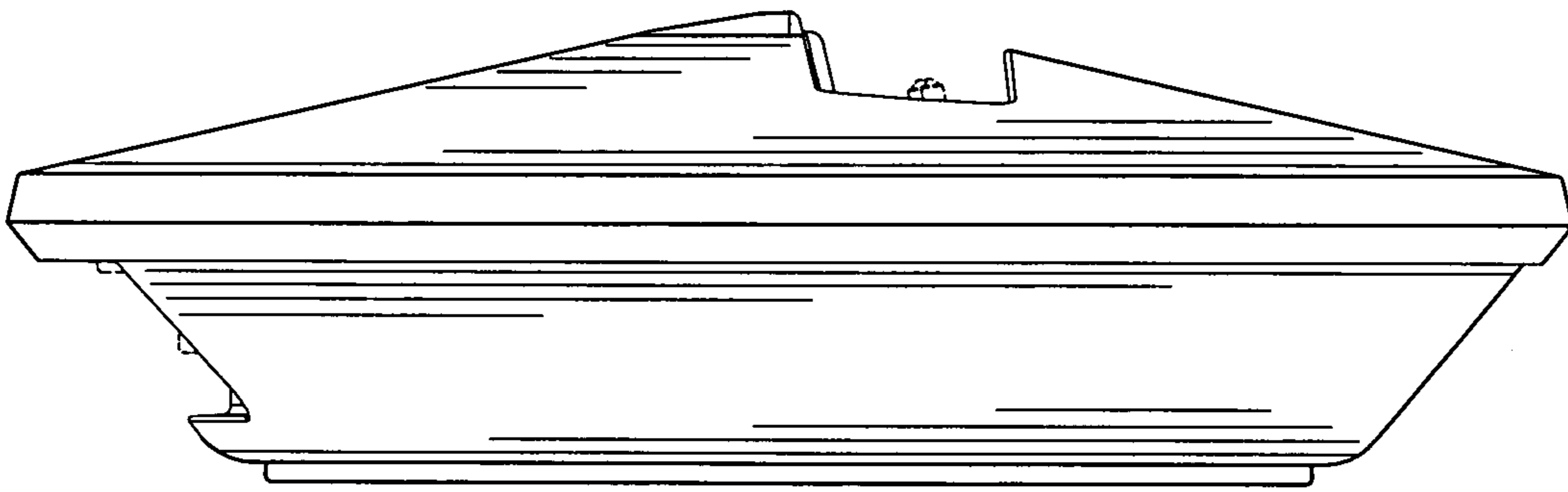


FIG. 4

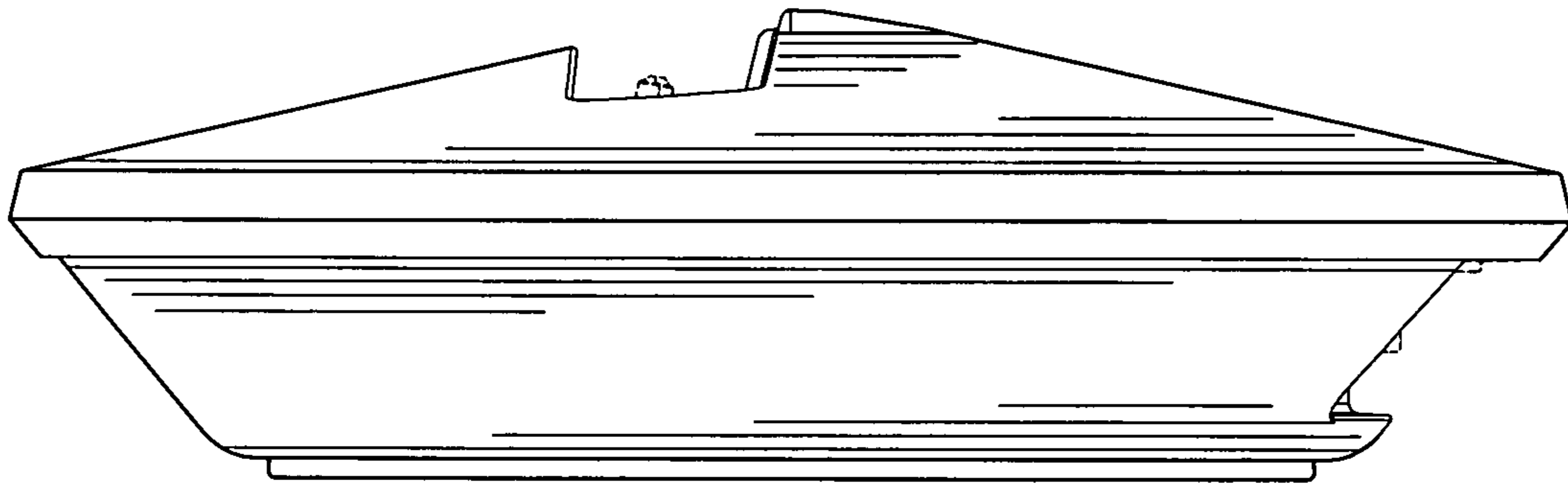


FIG. 5

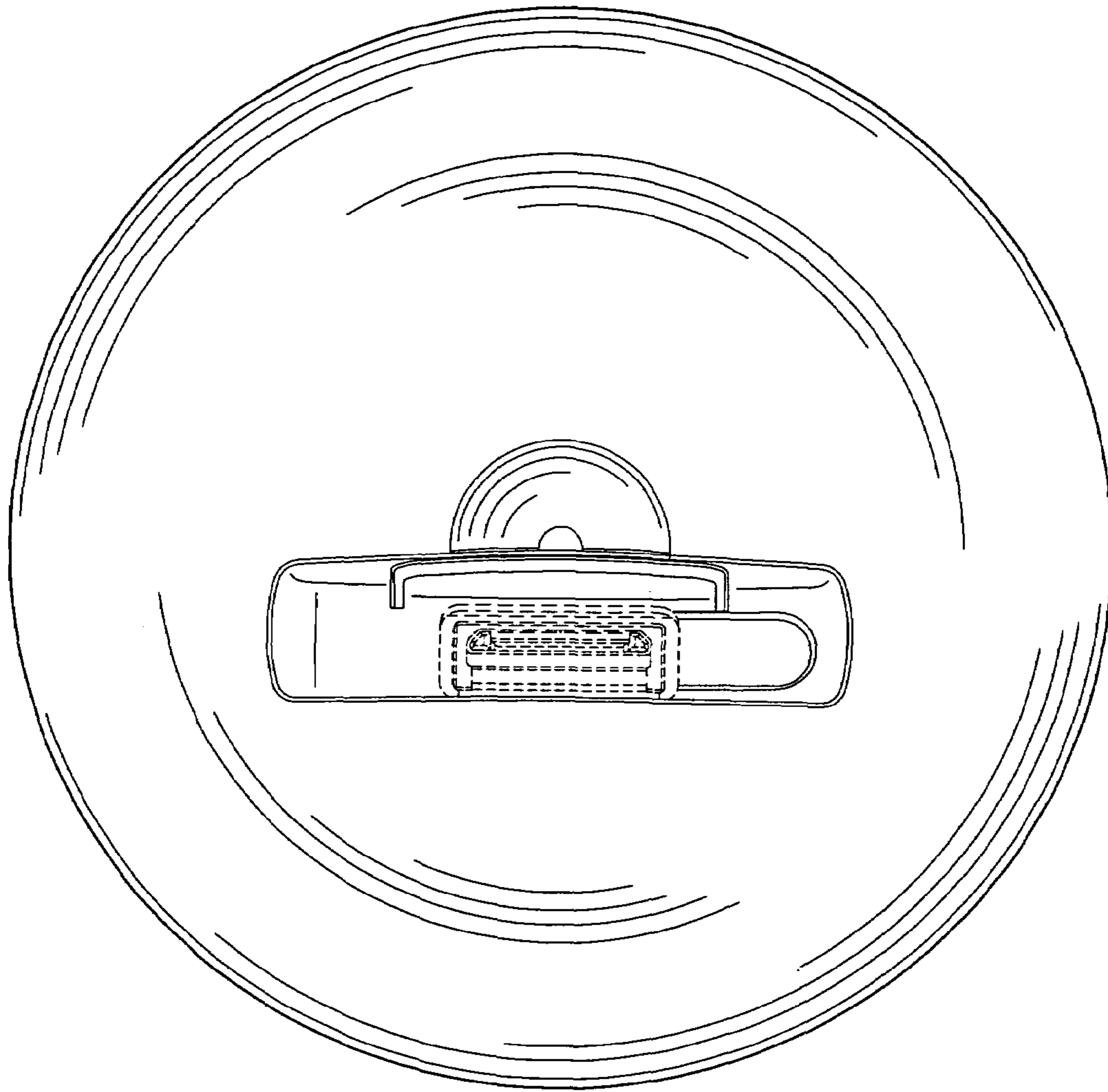


FIG. 6

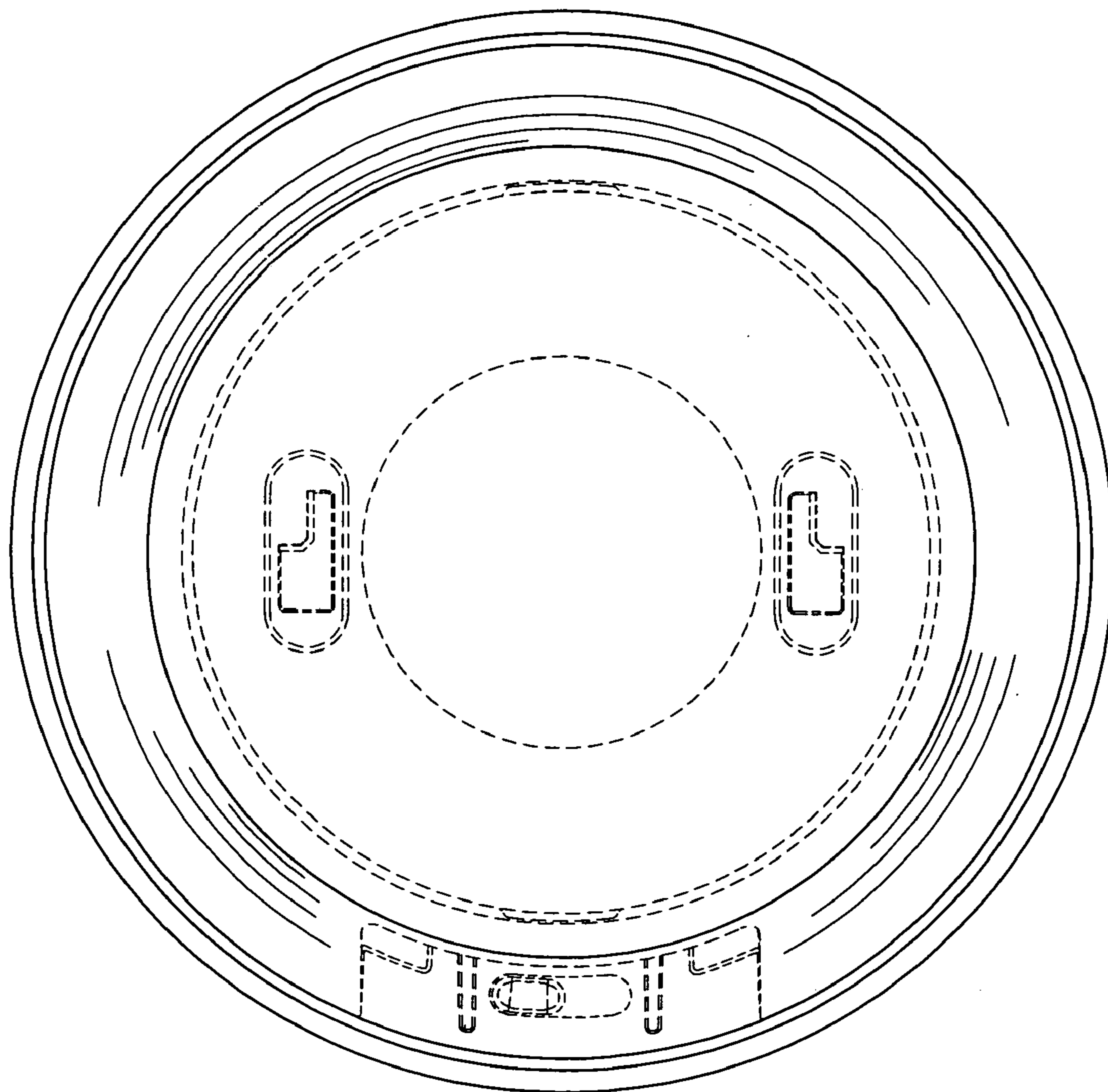


FIG. 7