



US00D594403S

(12) **United States Design Patent**  
**Yang**

(10) **Patent No.:** **US D594,403 S**  
(45) **Date of Patent:** **\*\* Jun. 16, 2009**

(54) **GAME BATTERY PACK**

(76) Inventor: **Lin Wei Yang**, No. 1 Henghai Road,  
South District Zhongshan, Guangdong  
(CN) 528400

(\*\*) Term: **14 Years**

(21) Appl. No.: **29/324,417**

(22) Filed: **Sep. 11, 2008**

(51) **LOC (9) Cl.** ..... **13-02**

(52) **U.S. Cl.** ..... **D13/103**

(58) **Field of Classification Search** ..... D13/102–106,  
D13/110, 118–119, 184; 429/96–100, 163,  
429/176

See application file for complete search history.

(56) **References Cited**

**U.S. PATENT DOCUMENTS**

D432,982 S *	10/2000	Miyashita	.....	D13/103
D457,133 S *	5/2002	Yoneyama	.....	D13/103
D512,018 S *	11/2005	Matsuda et al.	.....	D13/103
D515,499 S *	2/2006	Matsuda et al.	.....	D13/103
D522,451 S *	6/2006	Hayes et al.	.....	D13/103

D535,250 S *	1/2007	Watson	.....	D13/103
D545,759 S *	7/2007	Ino et al.	.....	D13/103
D555,086 S *	11/2007	Zhang	.....	D13/103
D557,203 S *	12/2007	Grunow et al.	.....	D13/103

\* cited by examiner

*Primary Examiner*—Jennifer Rivard  
*Assistant Examiner*—Rosemary K Tarcza  
(74) *Attorney, Agent, or Firm*—Merchant & Gould P.C.

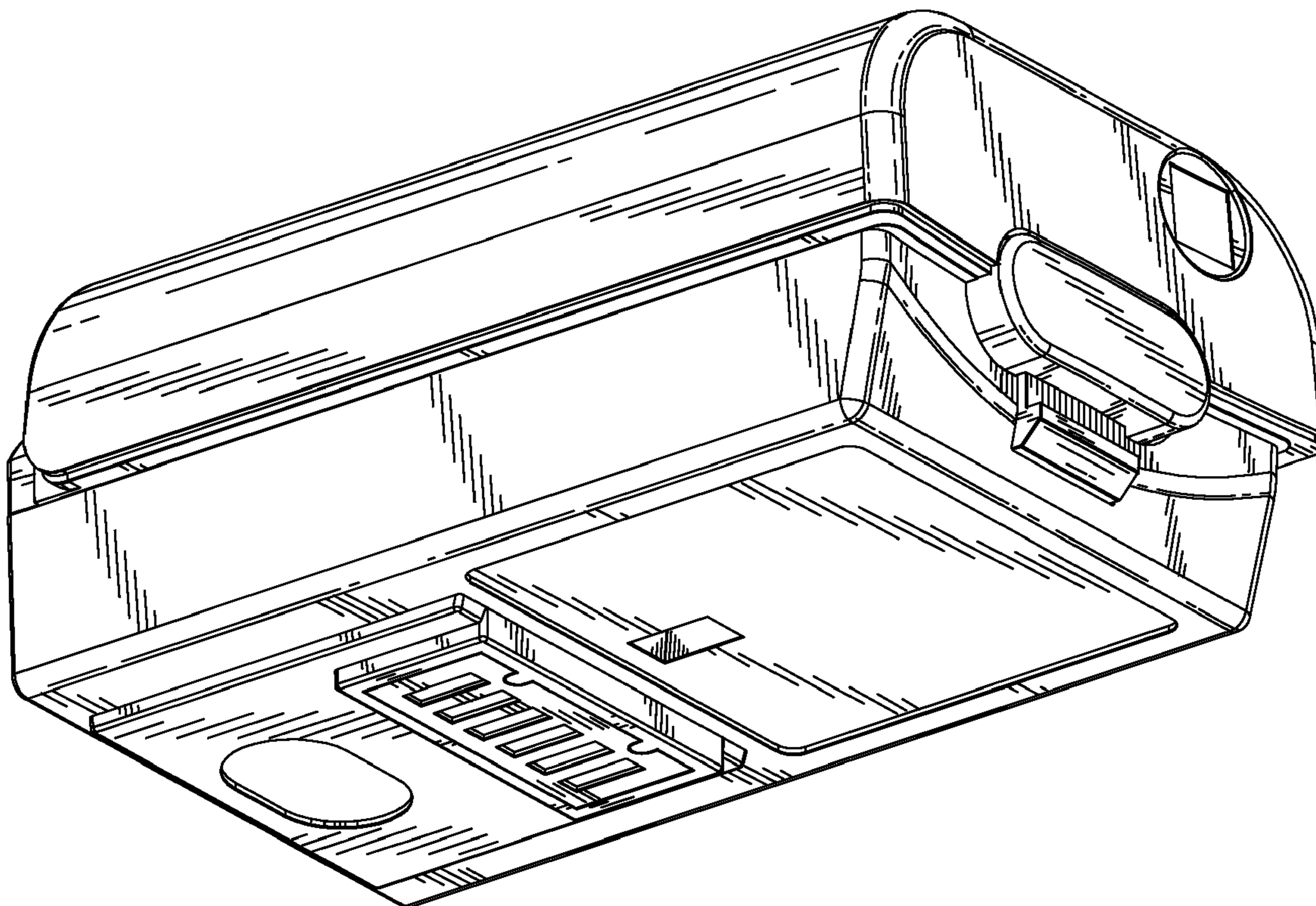
(57) **CLAIM**

The ornamental design for a game battery pack, as shown.

**DESCRIPTION**

FIG. 1 is a perspective view of the game battery pack.  
FIG. 2 is a side view thereof.  
FIG. 3 is an opposite side view thereof.  
FIG. 4 is an end view thereof.  
FIG. 5 is an opposite end view thereof.  
FIG. 6 is a top view thereof; and,  
FIG. 7 is a bottom view thereof.

**1 Claim, 7 Drawing Sheets**



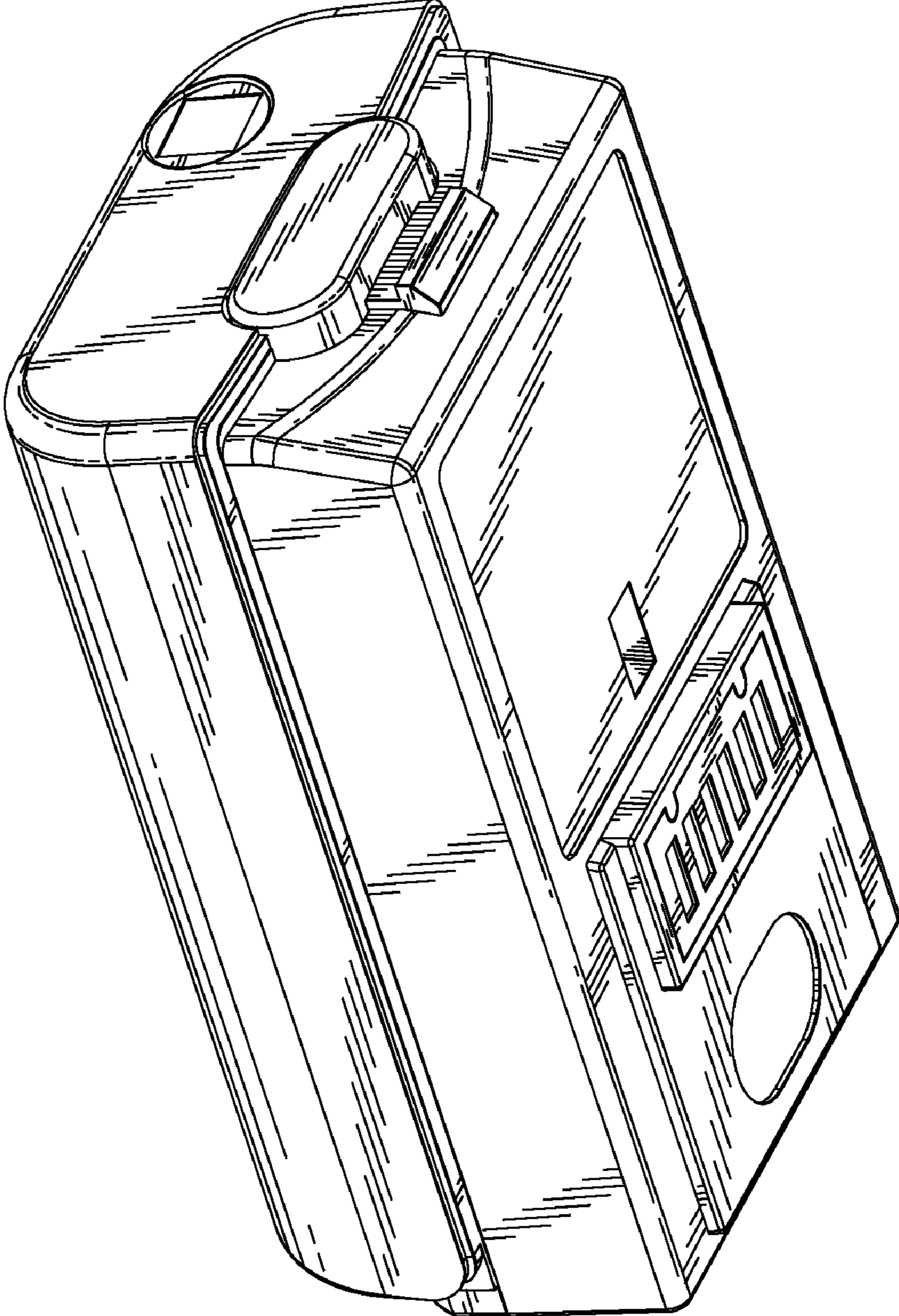


FIG. 1

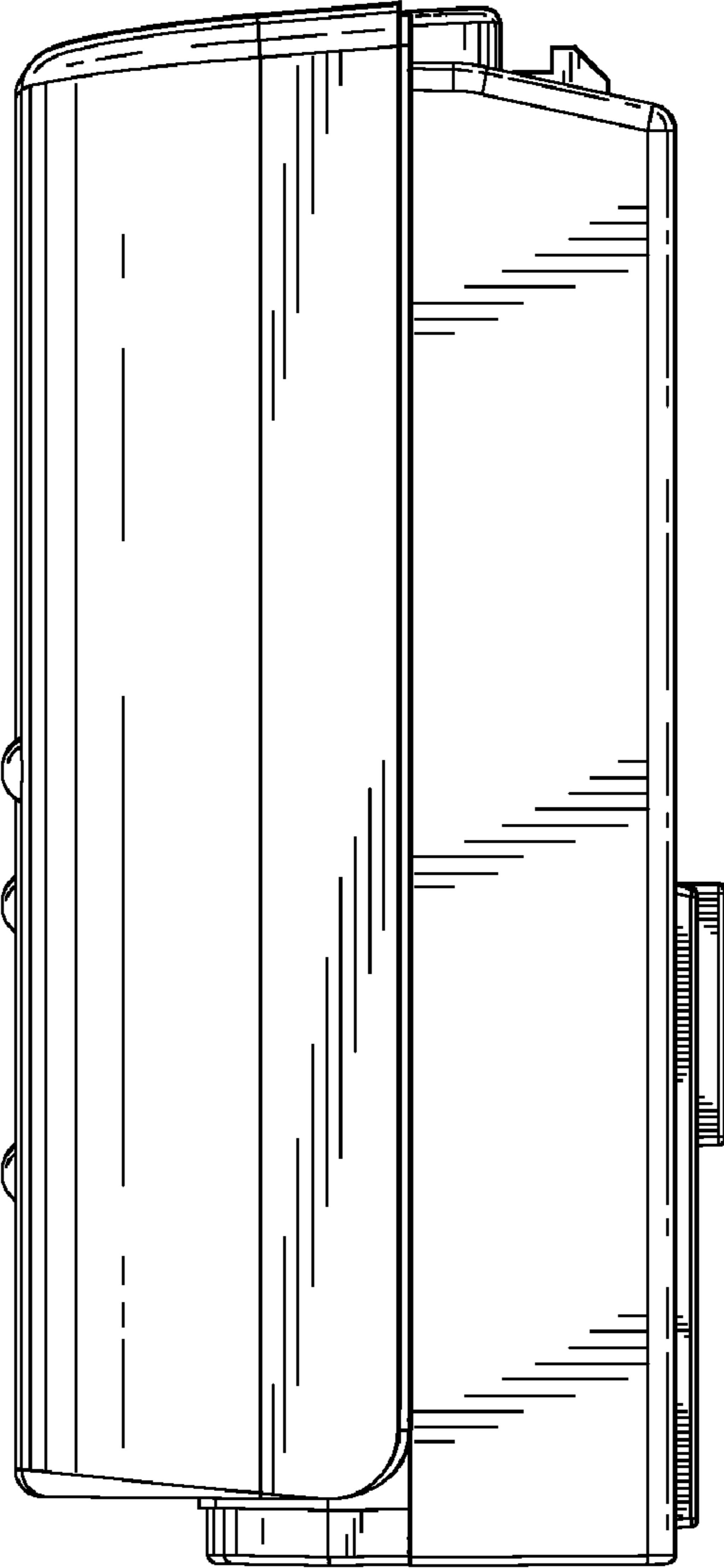


FIG. 2

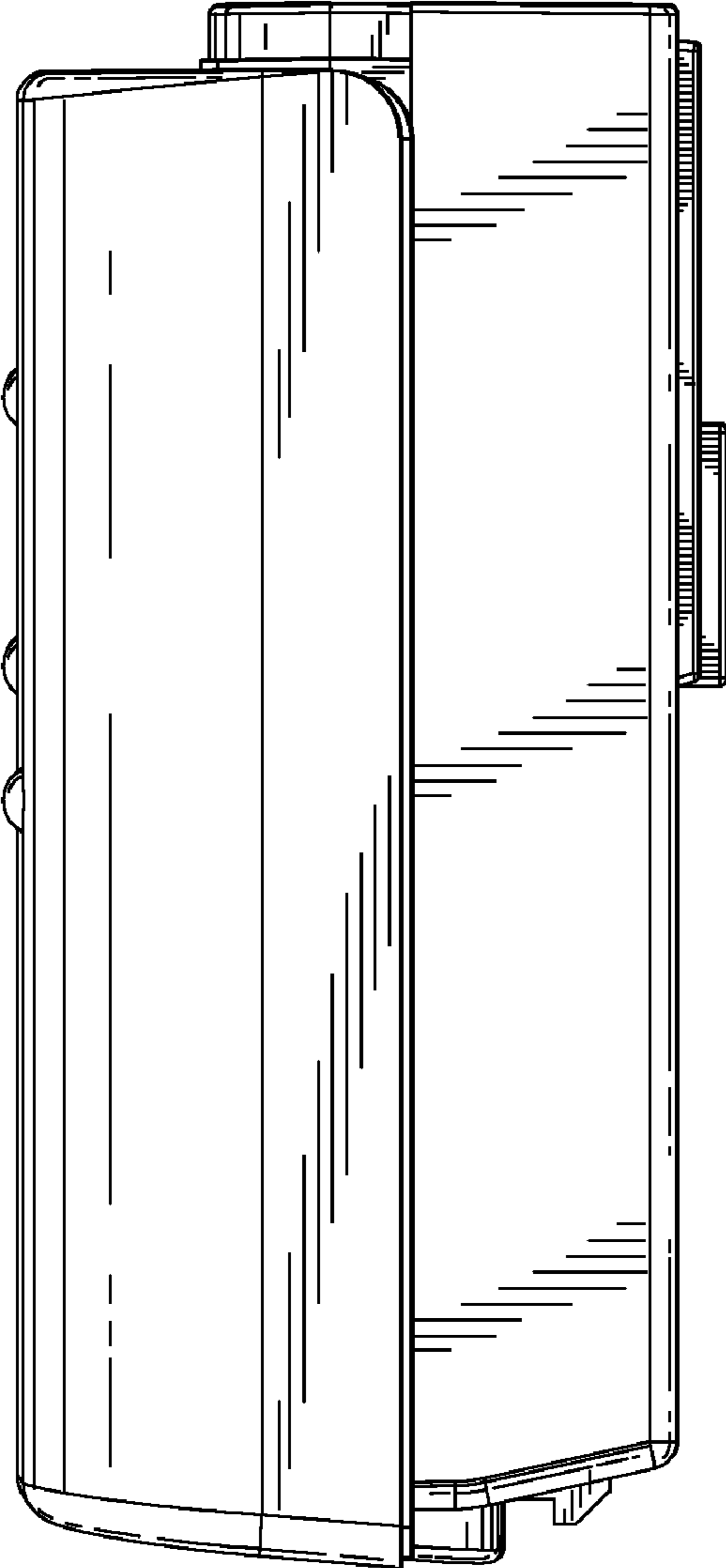
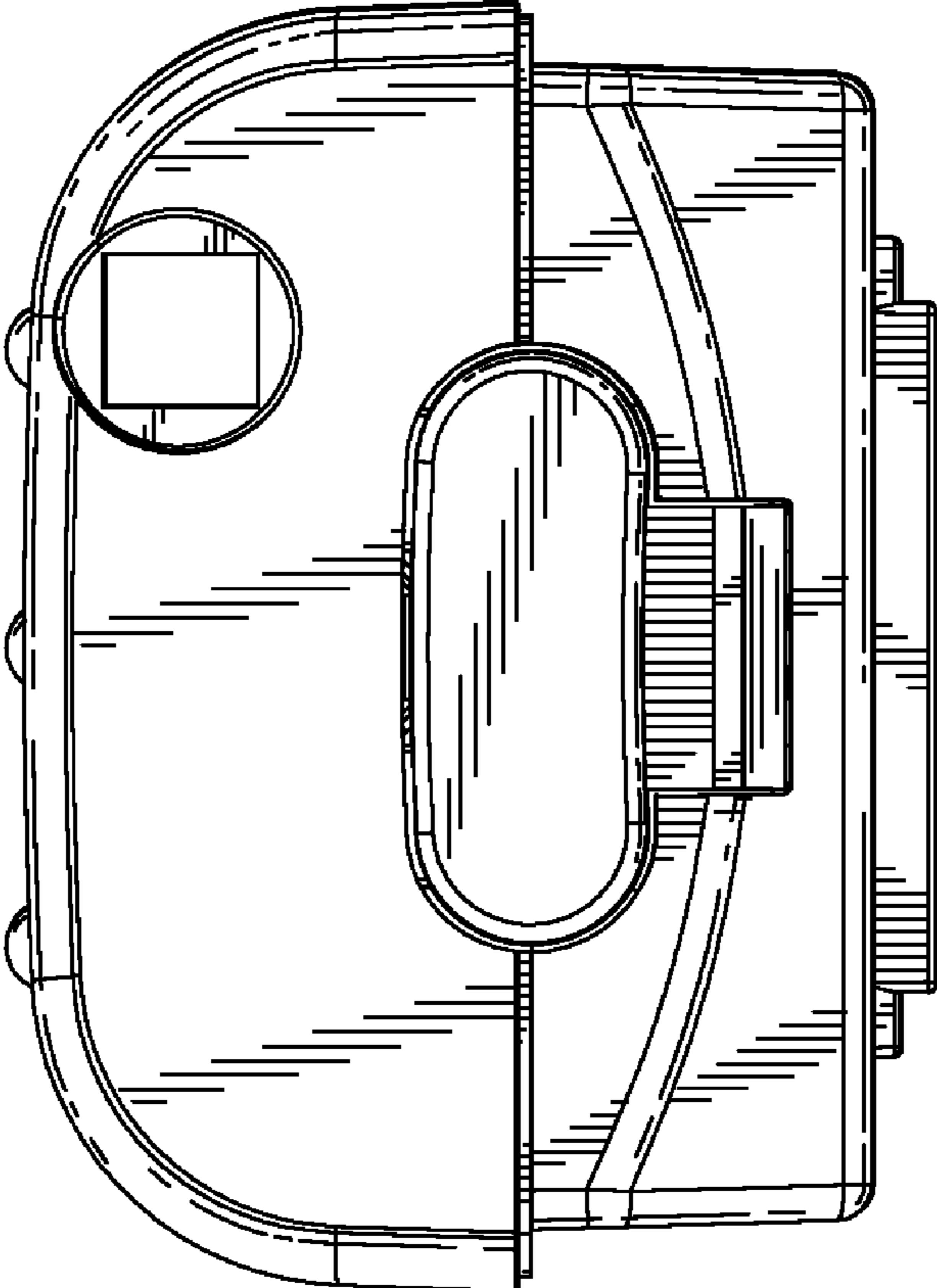


FIG. 3



**FIG. 4**

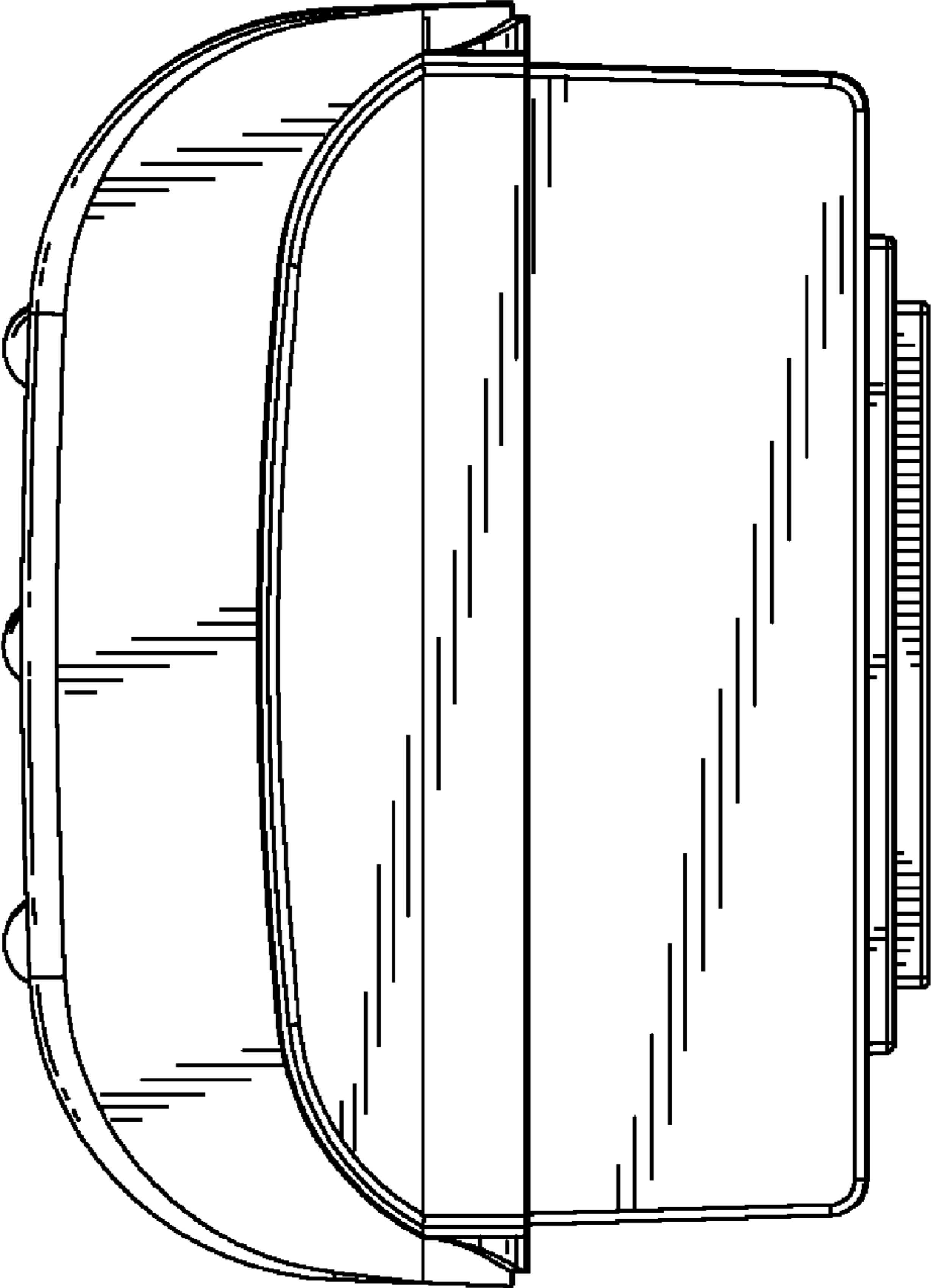


FIG. 5

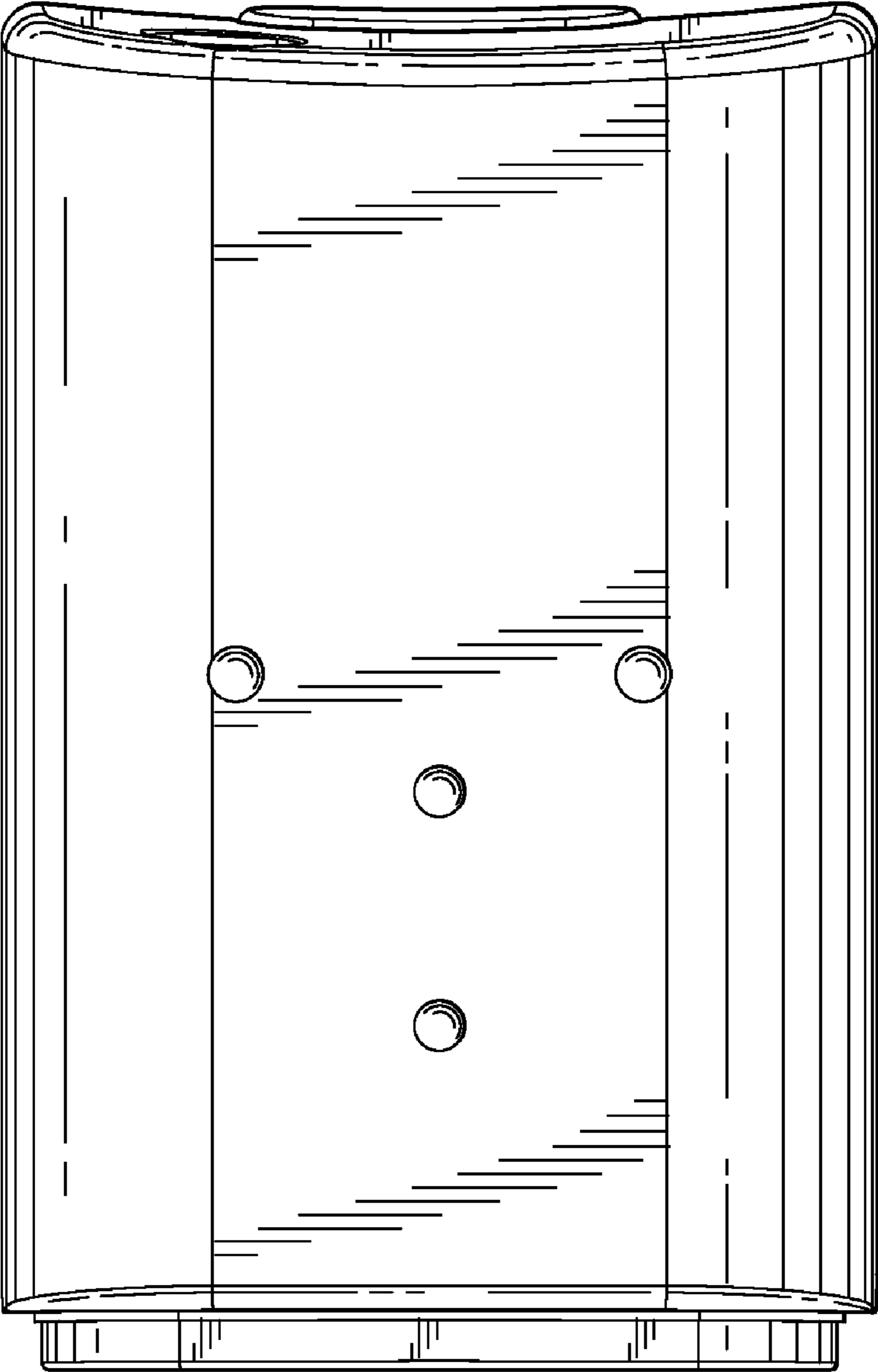


FIG. 6



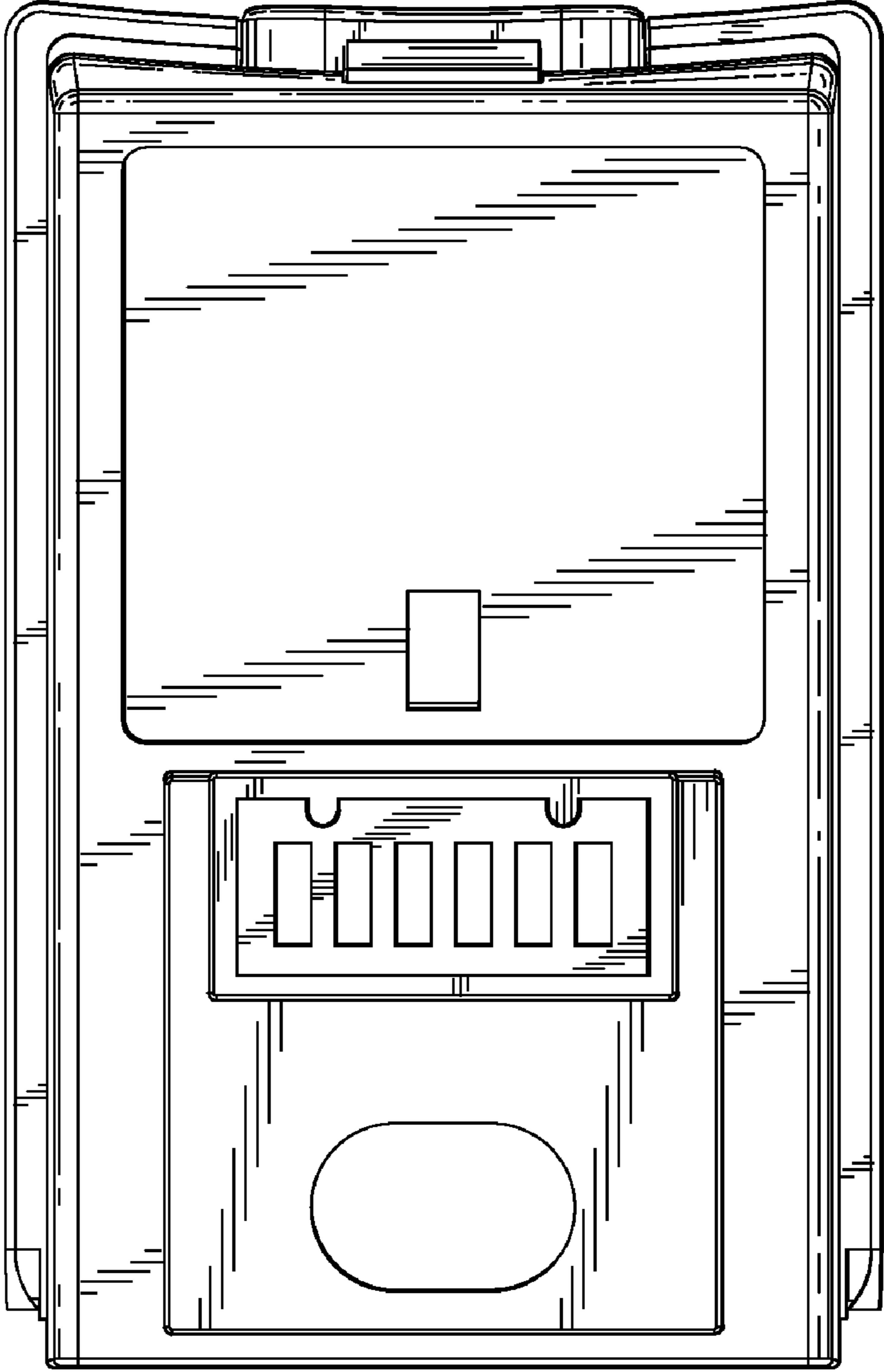


FIG. 7