



US00D594399S

(12) **United States Design Patent**
Johnson

(10) **Patent No.:** **US D594,399 S**

(45) **Date of Patent:** **** Jun. 16, 2009**

(54) **AIR INTAKE STACK**

(76) Inventor: **Robert Matthew Johnson**, 8 Gravity Ct., Apt. 3, Westerly, RI (US) 02891

(**) Term: **14 Years**

(21) Appl. No.: **29/299,072**

(22) Filed: **Dec. 19, 2007**

(51) **LOC (9) Cl.** **12-16**

(52) **U.S. Cl.** **D12/400**

(58) **Field of Classification Search** D23/364-365, D23/259-269; D12/194, 114, 400; D15/5-6; 181/227-228, 230; 123/198 E, 41.22; 220/88.1; 431/346; 48/192; 55/356, 385.3, 467, 471-472
See application file for complete search history.

(56) **References Cited**

U.S. PATENT DOCUMENTS

D142,409 S *	9/1945	Hamer	D23/259
D254,904 S *	5/1980	Swearingen	D12/345
6,780,214 B2 *	8/2004	Leibold	55/385.3
6,824,583 B2 *	11/2004	Bulger	55/385.3
D528,129 S *	9/2006	Huang	D15/5
D573,527 S *	7/2008	Moran	D12/400
D584,670 S *	1/2009	Kaucher	D12/194

2003/0159413 A1* 8/2003 Bulger 55/385.3

* cited by examiner

Primary Examiner—T. Chase Nelson

Assistant Examiner—Eric L Goodman

(74) *Attorney, Agent, or Firm*—Krajec Patent Offices, LLC; Russell S. Krajec

(57) **CLAIM**

The ornamental design for an air intake stack, as shown and described.

DESCRIPTION

FIG. 1 is an isometric view of an air intake stack showing my new design.

FIG. 2 is an isometric exploded view thereof.

FIG. 3 is a front view thereof.

FIG. 4 is a bottom view thereof.

FIG. 5 is a left side view thereof.

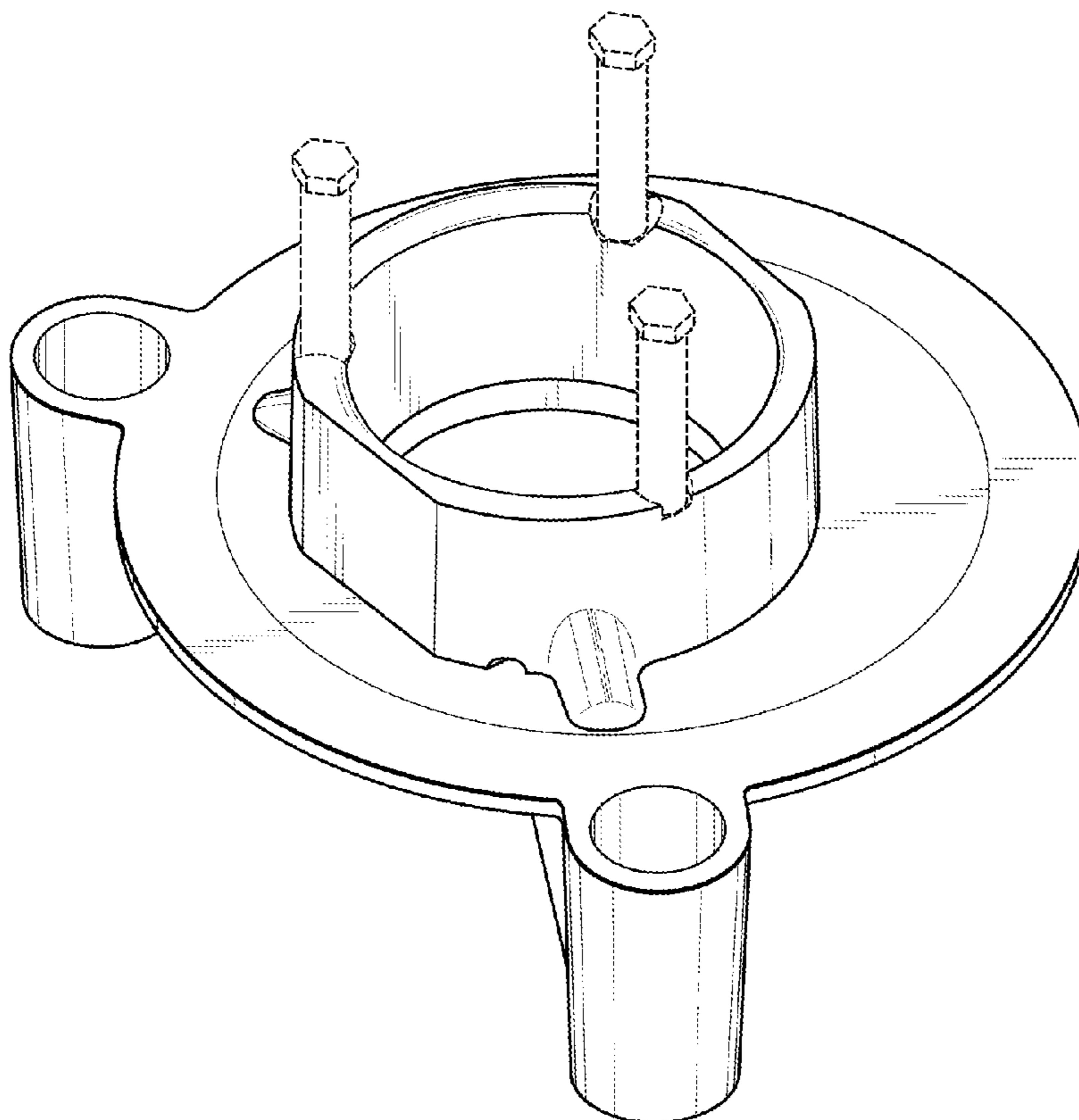
FIG. 6 is a right side view thereof.

FIG. 7 is a top view thereof; and,

FIG. 8 is a rear view thereof.

The broken line showing is included for the purpose of illustrating portions of the article that form no part of the claimed design.

1 Claim, 6 Drawing Sheets



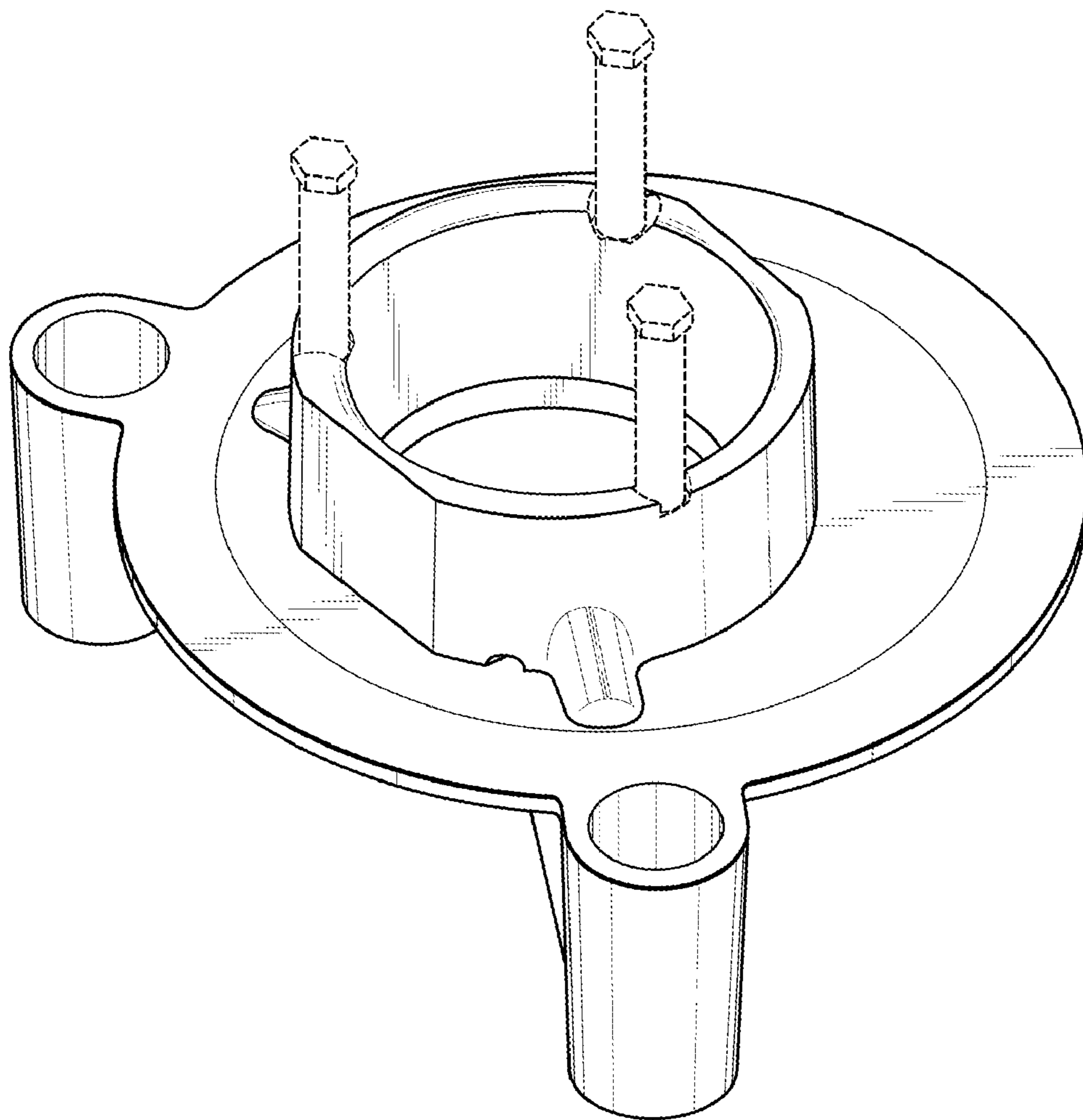


FIG. 1

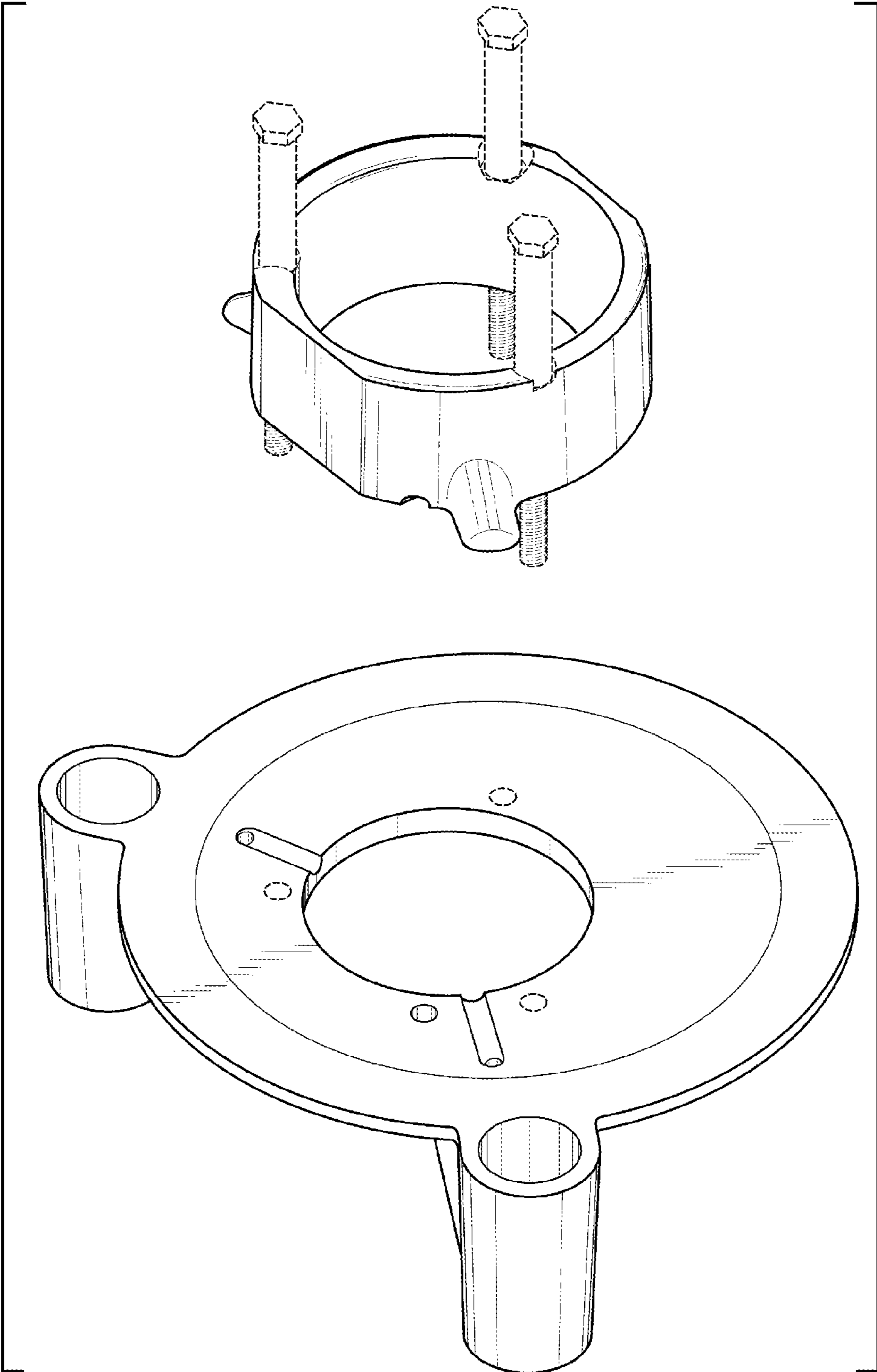


FIG. 2

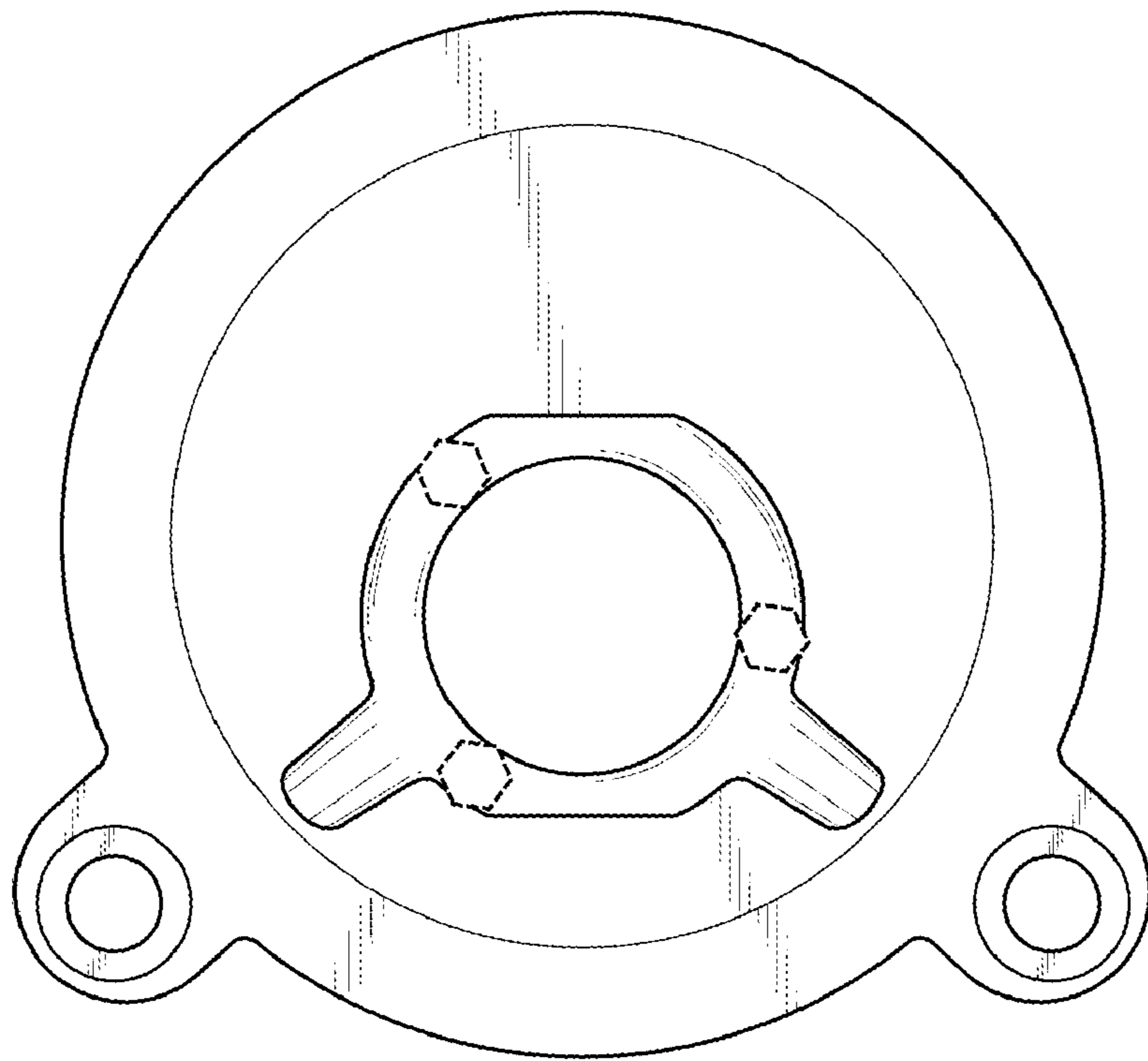


FIG. 3

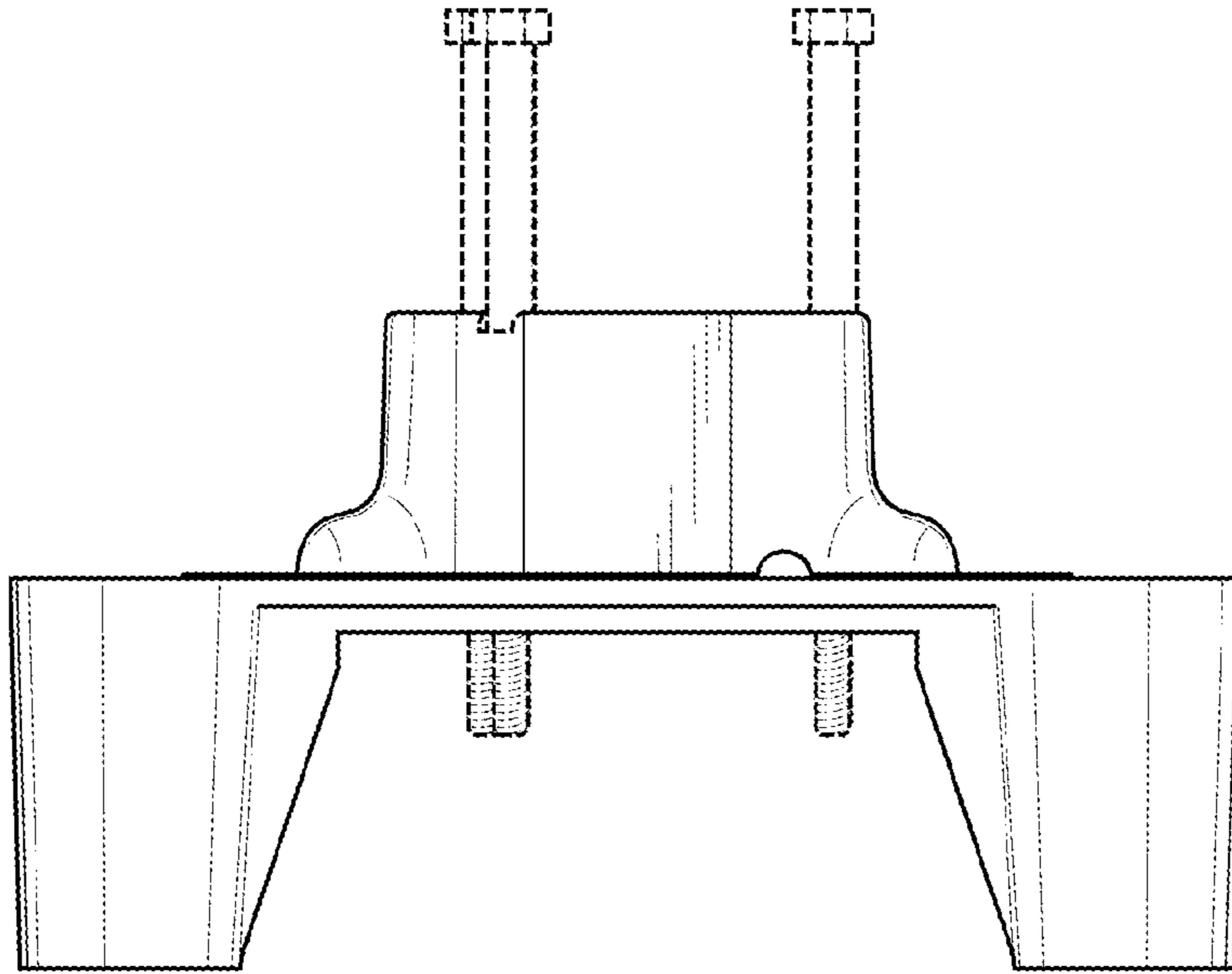


FIG. 4

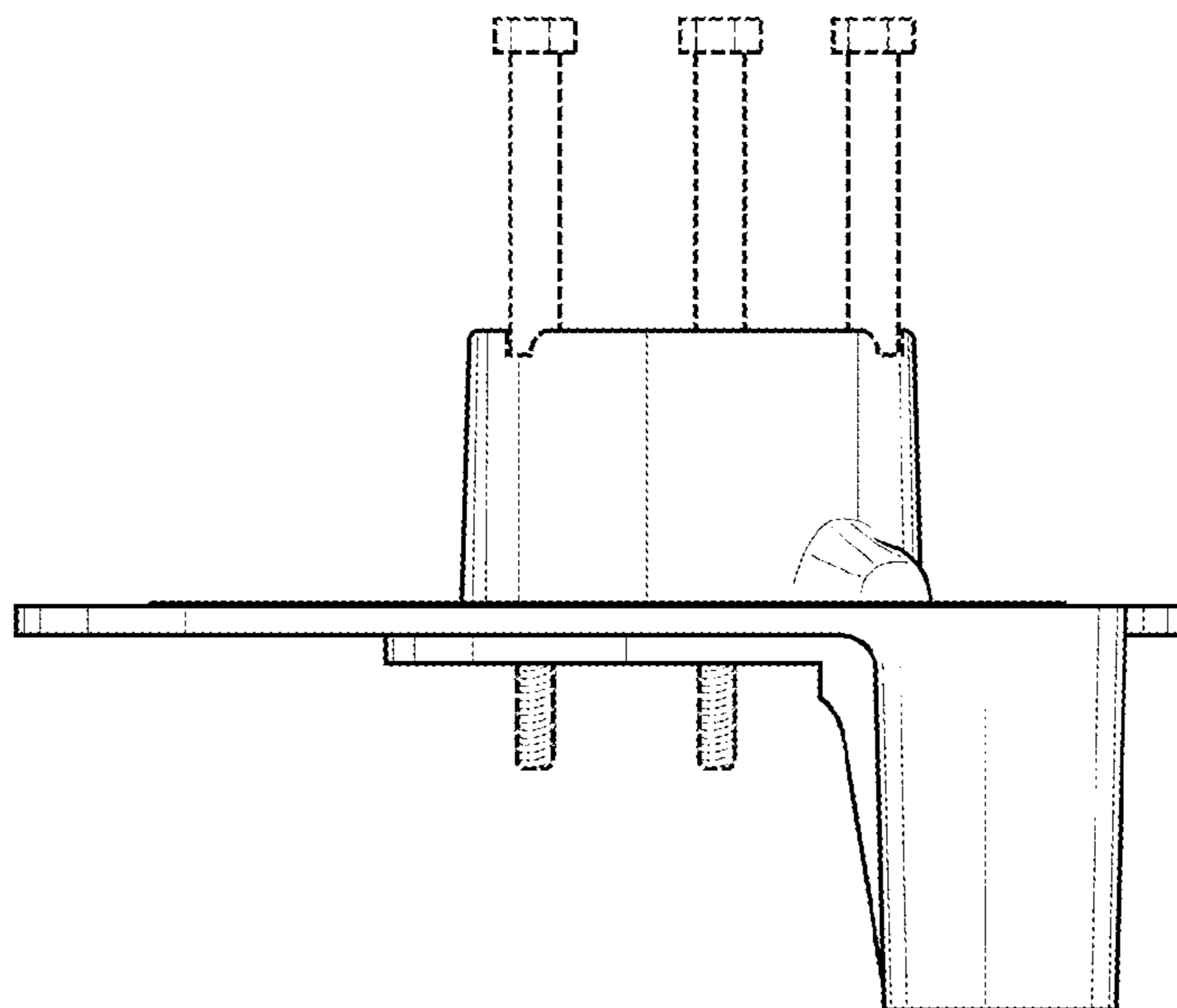


FIG. 5

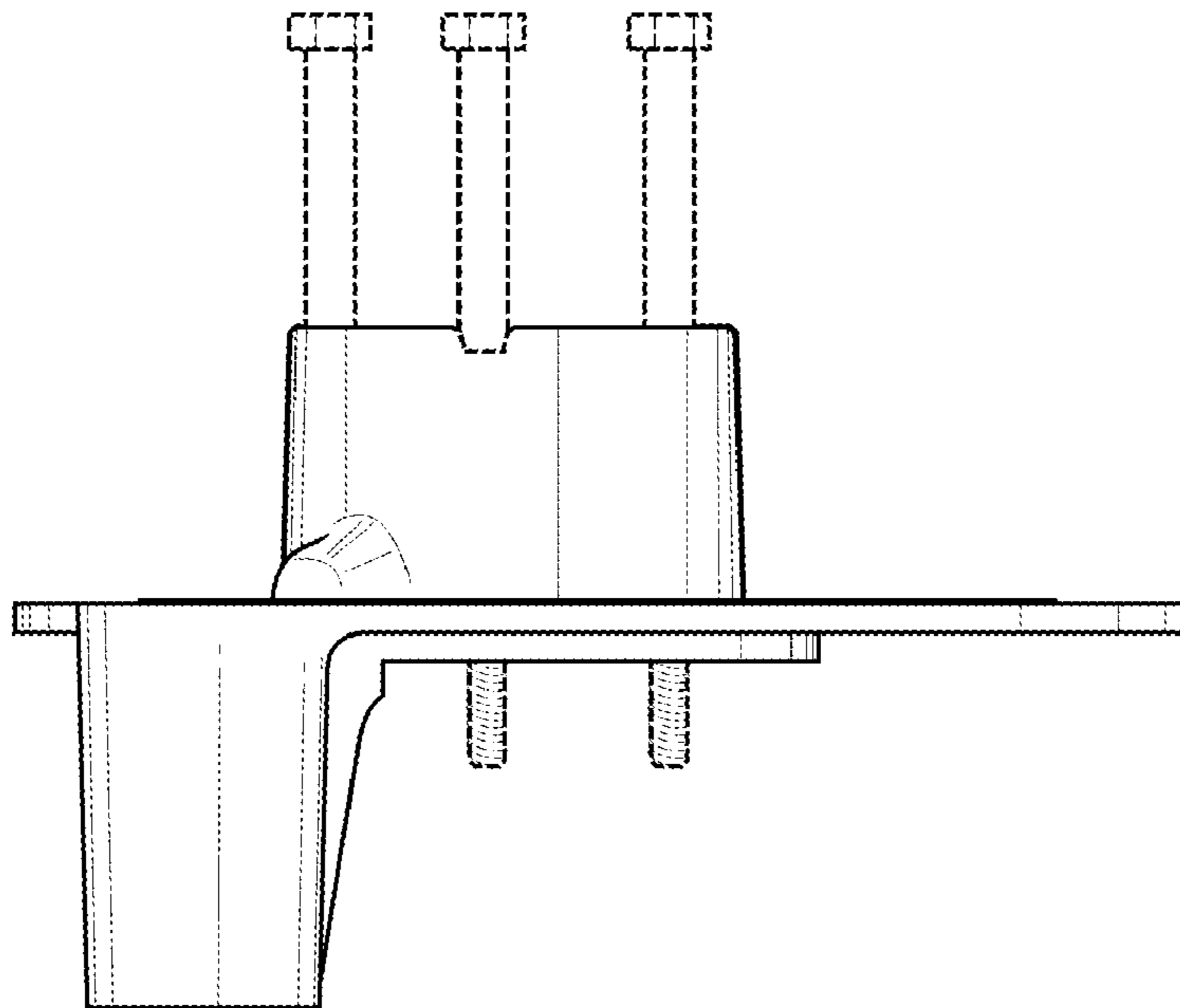


FIG. 6

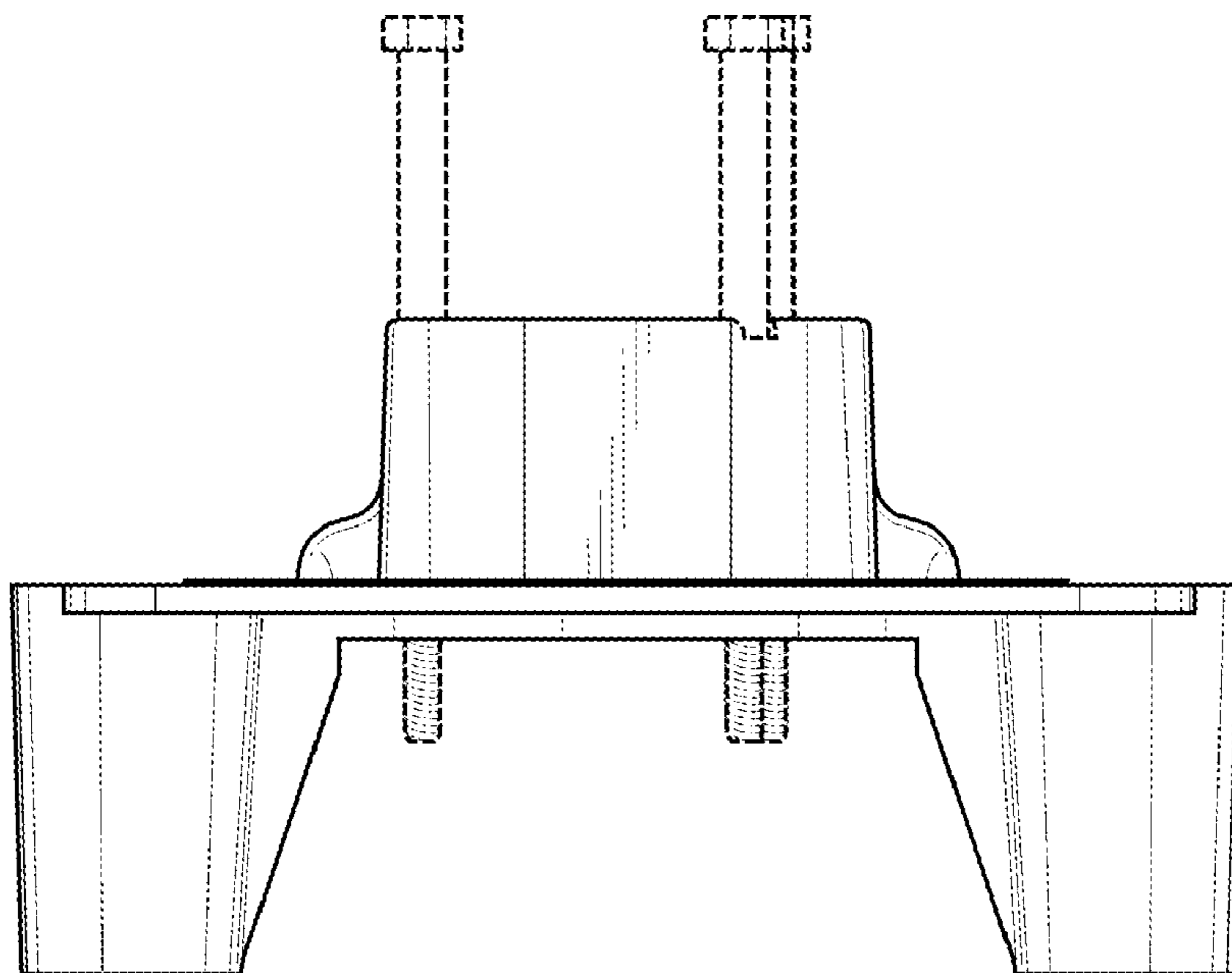


FIG. 7

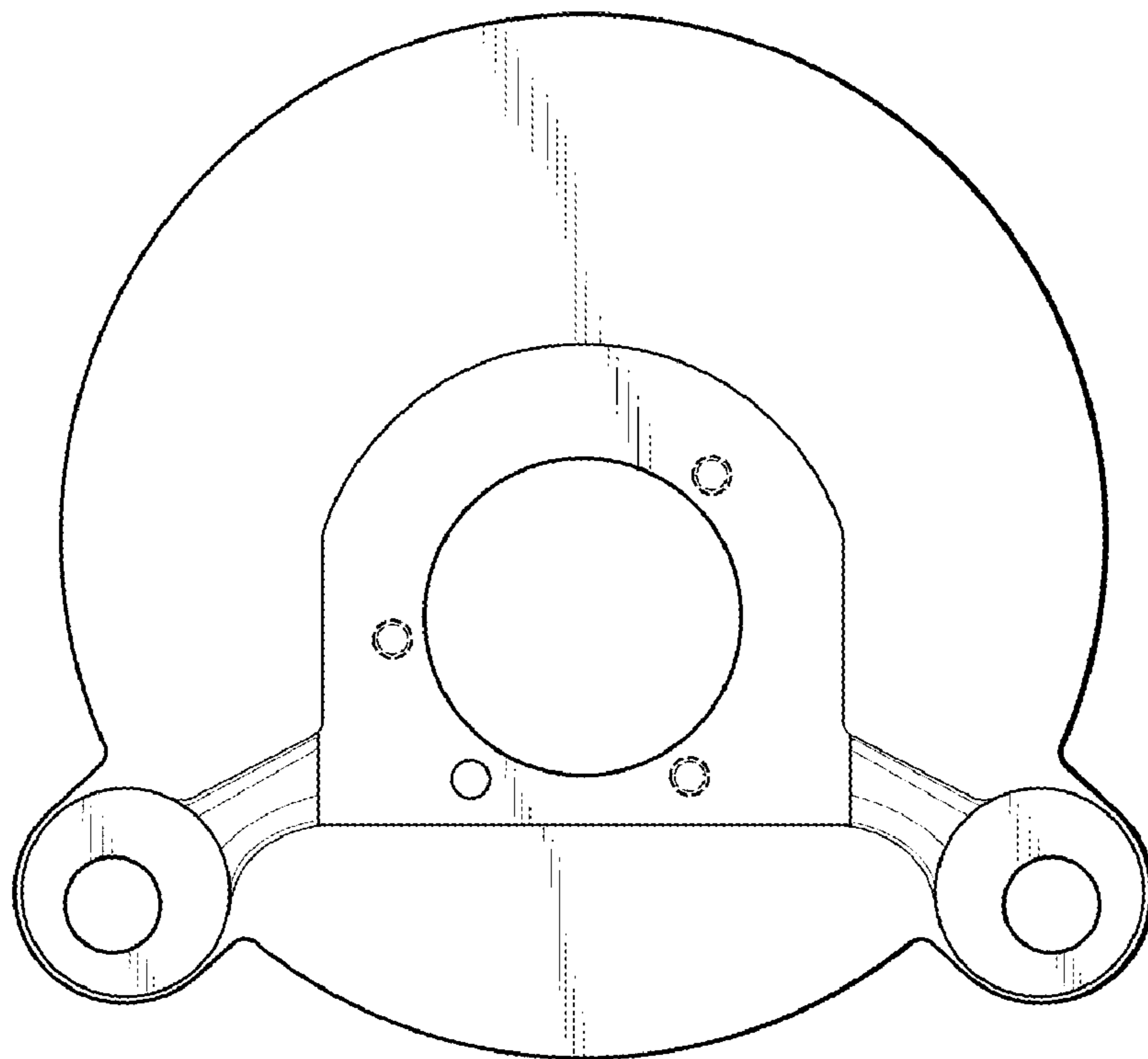


FIG. 8