

US00D594396S

(12) **United States Design Patent**
Juergens et al.

(10) **Patent No.:** **US D594,396 S**
(45) **Date of Patent:** **** Jun. 16, 2009**

(54) **FRONT FACE OF A VEHICLE WHEEL**

(75) Inventors: **Dirk Juergens**, Munich (DE); **Rainer Mueller**, Munich (DE)

(73) Assignee: **Bayerische Motoren Werke Aktiengesellschaft**, Munich (DE)

(**) Term: **14 Years**

(21) Appl. No.: **29/290,531**

(22) Filed: **Dec. 13, 2007**

(30) **Foreign Application Priority Data**

Jun. 14, 2007 (DE) 4 07 03 114

(51) **LOC (9) Cl.** **12-16**

(52) **U.S. Cl.** **D12/209**

(58) **Field of Classification Search** D12/204-213;
301/37.101, 64.101, 65

See application file for complete search history.

(56) **References Cited**

U.S. PATENT DOCUMENTS

D503,668 S * 4/2005 Boyer D12/209
D503,918 S * 4/2005 Fahr-Becker D12/211
D504,381 S * 4/2005 Rice D12/211

D516,002 S * 2/2006 Fahr-Becker D12/211
D516,990 S * 3/2006 Schweizer D12/211
D522,434 S * 6/2006 Langer D12/209
D530,252 S * 10/2006 Gabath D12/209
D537,026 S * 2/2007 Nordmann D12/209
D540,240 S * 4/2007 Kountouras D12/211
D567,167 S * 4/2008 Forster D12/211
D581,853 S * 12/2008 Rak D12/211
D585,352 S * 1/2009 Scheu D12/211
D585,354 S * 1/2009 Powell et al. D12/211

* cited by examiner

Primary Examiner—Elizabeth A Albert

Assistant Examiner—Kelley A Donnelly

(74) *Attorney, Agent, or Firm*—Crowell & Moring LLP

(57) **CLAIM**

The ornamental design for a front face of a vehicle wheel, as shown and described.

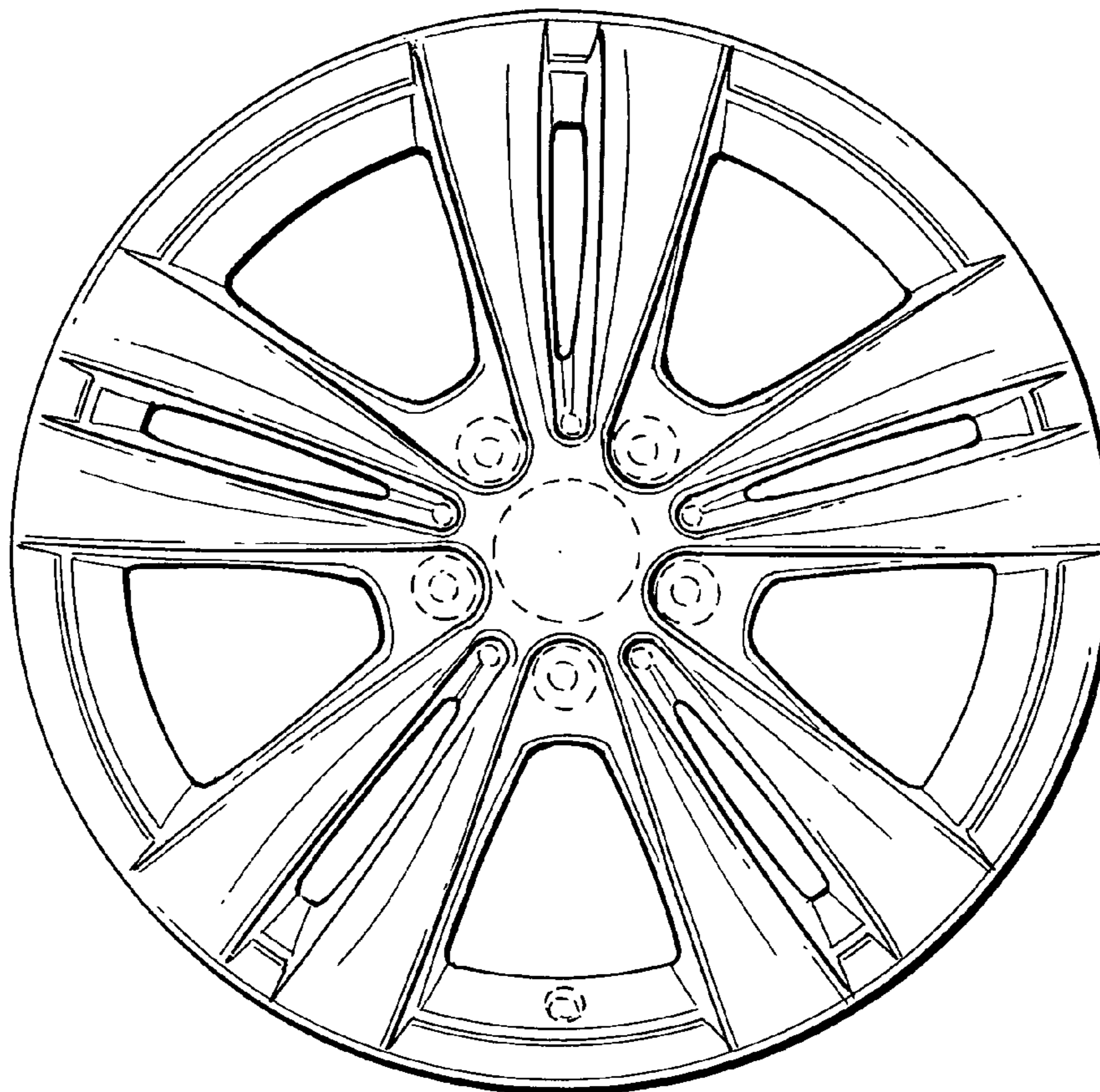
DESCRIPTION

FIG. 1 is a front view of a front face of a vehicle wheel according to our novel design; and,

FIG. 2 is a perspective view thereof.

The broken lines are for environmental purposes only and form no part of the claimed design.

1 Claim, 1 Drawing Sheet



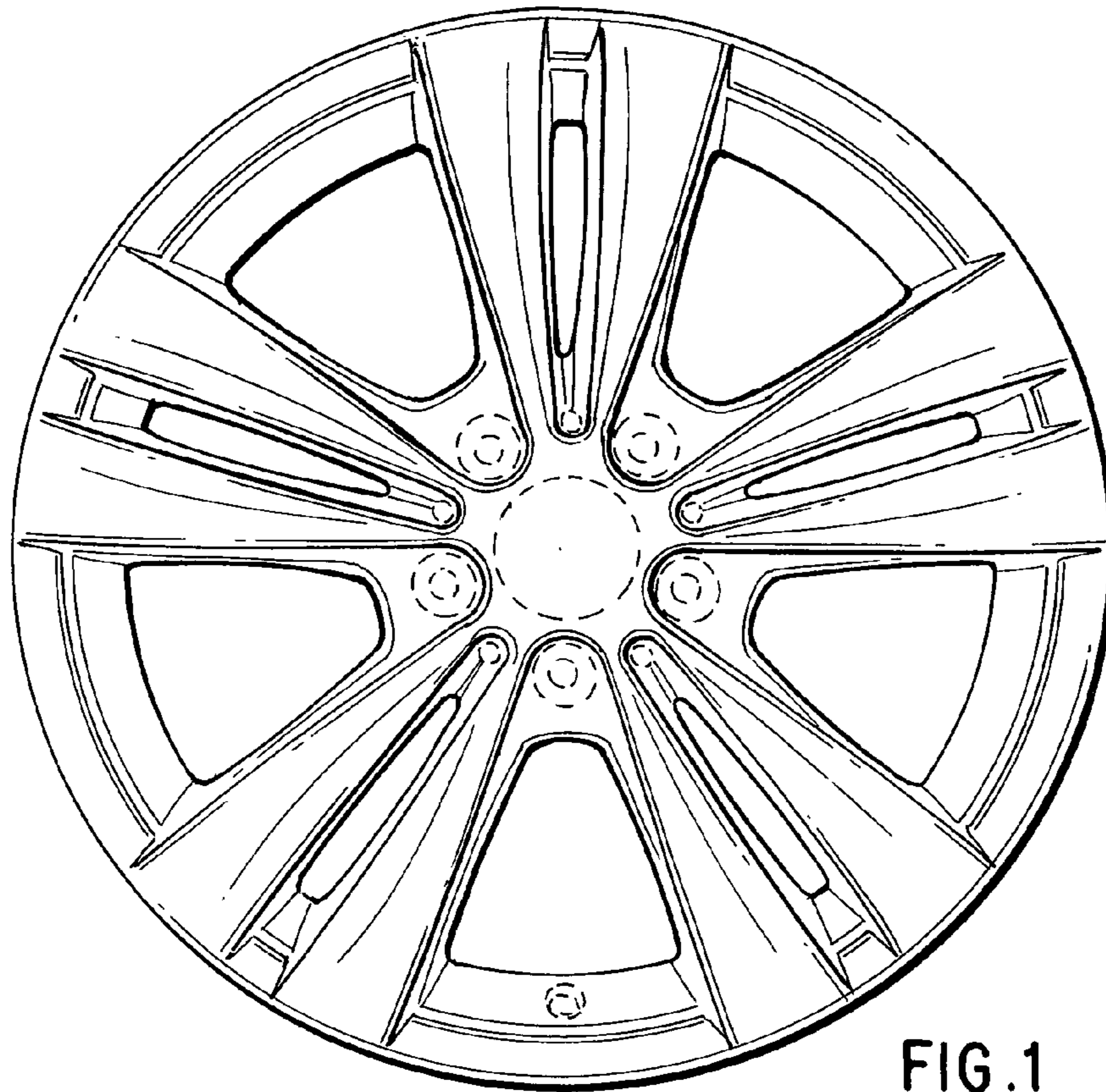


FIG. 1

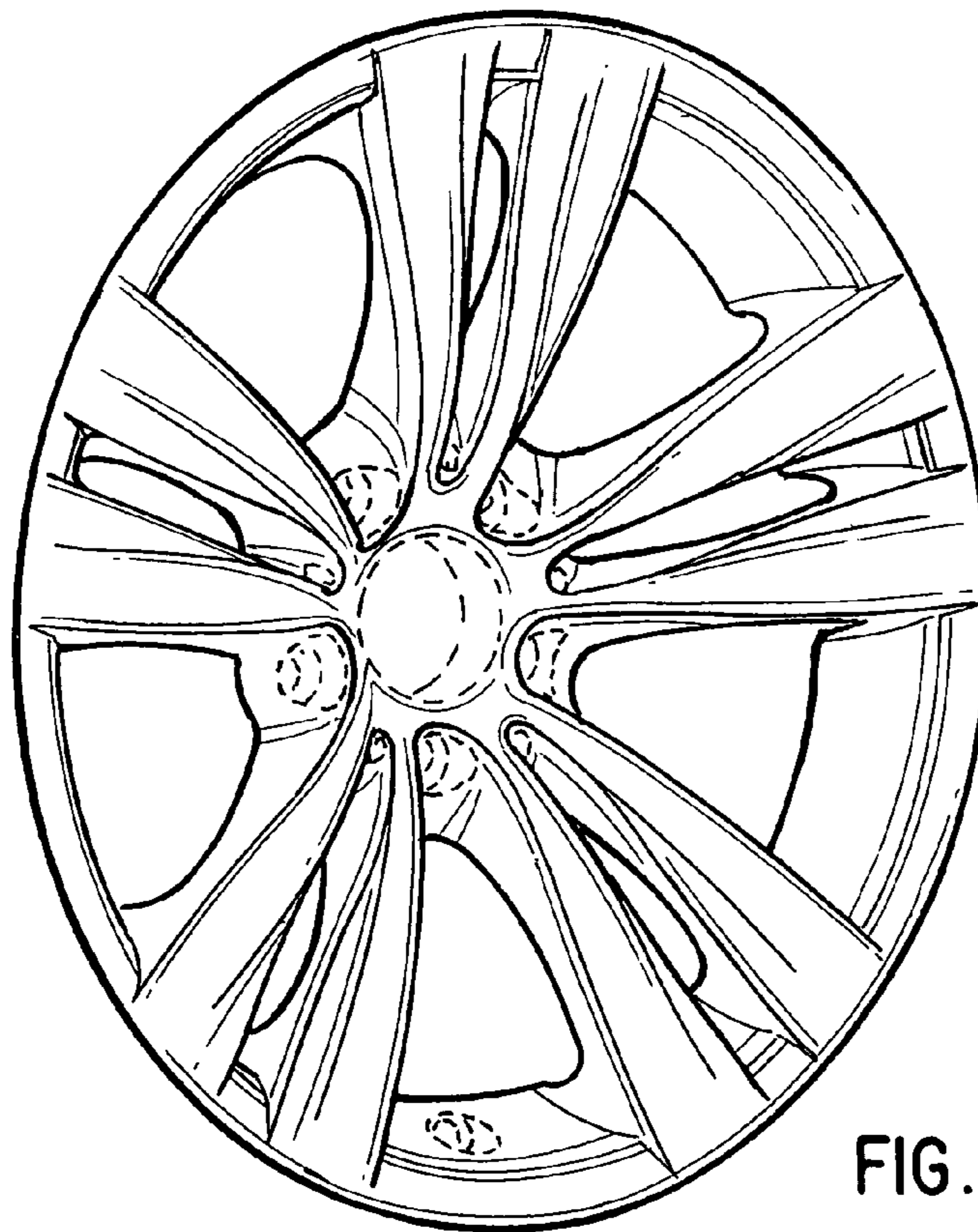


FIG. 2