



US00D594395S

(12) **United States Design Patent**  
**Yoshii**

(10) **Patent No.:** **US D594,395 S**  
(45) **Date of Patent:** **\*\* Jun. 16, 2009**

(54) **FUEL TANK CAP**

(75) Inventor: **Hiroyuki Yoshii**, Hiroshima (JP)

(73) Assignee: **Nifco Inc.**, Yokohama-shi, Kanagawa (JP)

(\*\*) Term: **14 Years**

(21) Appl. No.: **29/309,795**

(22) Filed: **Oct. 15, 2008**

(30) **Foreign Application Priority Data**

Apr. 18, 2008 (JP) ..... 2008-010084

(51) **LOC (9) Cl.** ..... **12-16**

(52) **U.S. Cl.** ..... **D12/197**

(58) **Field of Classification Search** ..... D12/190,  
D12/400, 90, 92, 199, 197, 86, 171, 169,  
D12/163, 110, 114, 198, 218, 201; D11/211,  
D11/81, 157, 133, 172; D21/584, 591, 611,  
D21/612; 293/102, 115; D20/11, 23, 25;  
40/413, 591-592; 428/98-99, 31

See application file for complete search history.

(56) **References Cited**

**U.S. PATENT DOCUMENTS**

D353,357 S \* 12/1994 Weinberg et al. .... D12/197  
D375,929 S \* 11/1996 Lujack et al. .... D12/197  
D397,076 S \* 8/1998 Seibert et al. .... D12/197  
D397,320 S \* 8/1998 Hoagland, IV ..... D12/197  
D400,838 S \* 11/1998 Stahel ..... D12/197

D506,426 S \* 6/2005 Quast ..... D12/197  
D508,225 S \* 8/2005 Scheepers et al. .... D12/197  
D567,728 S \* 4/2008 Huston ..... D12/197  
D573,928 S \* 7/2008 Ratcliffe ..... D12/197  
D582,327 S \* 12/2008 Ratcliffe ..... D12/197  
D585,007 S \* 1/2009 Huston ..... D12/197  
D585,348 S \* 1/2009 Yan et al. .... D12/197

\* cited by examiner

*Primary Examiner*—Caron Veynar

*Assistant Examiner*—Katrina A Kile

(74) *Attorney, Agent, or Firm*—Manabu Kanesaka

(57) **CLAIM**

The ornamental design for a fuel tank cap, as shown and described.

**DESCRIPTION**

FIG. 1 is a perspective view of a fuel tank cap showing my new design;

FIG. 2 is a front view thereof;

FIG. 3 is a rear view thereof;

FIG. 4 is a top view thereof;

FIG. 5 is a bottom view thereof;

FIG. 6 is a right side view thereof; and,

FIG. 7 is a left side view thereof.

In FIG. 3 the broken lines show interior element of a fuel tank cap and form no part of the claimed design.

**1 Claim, 4 Drawing Sheets**

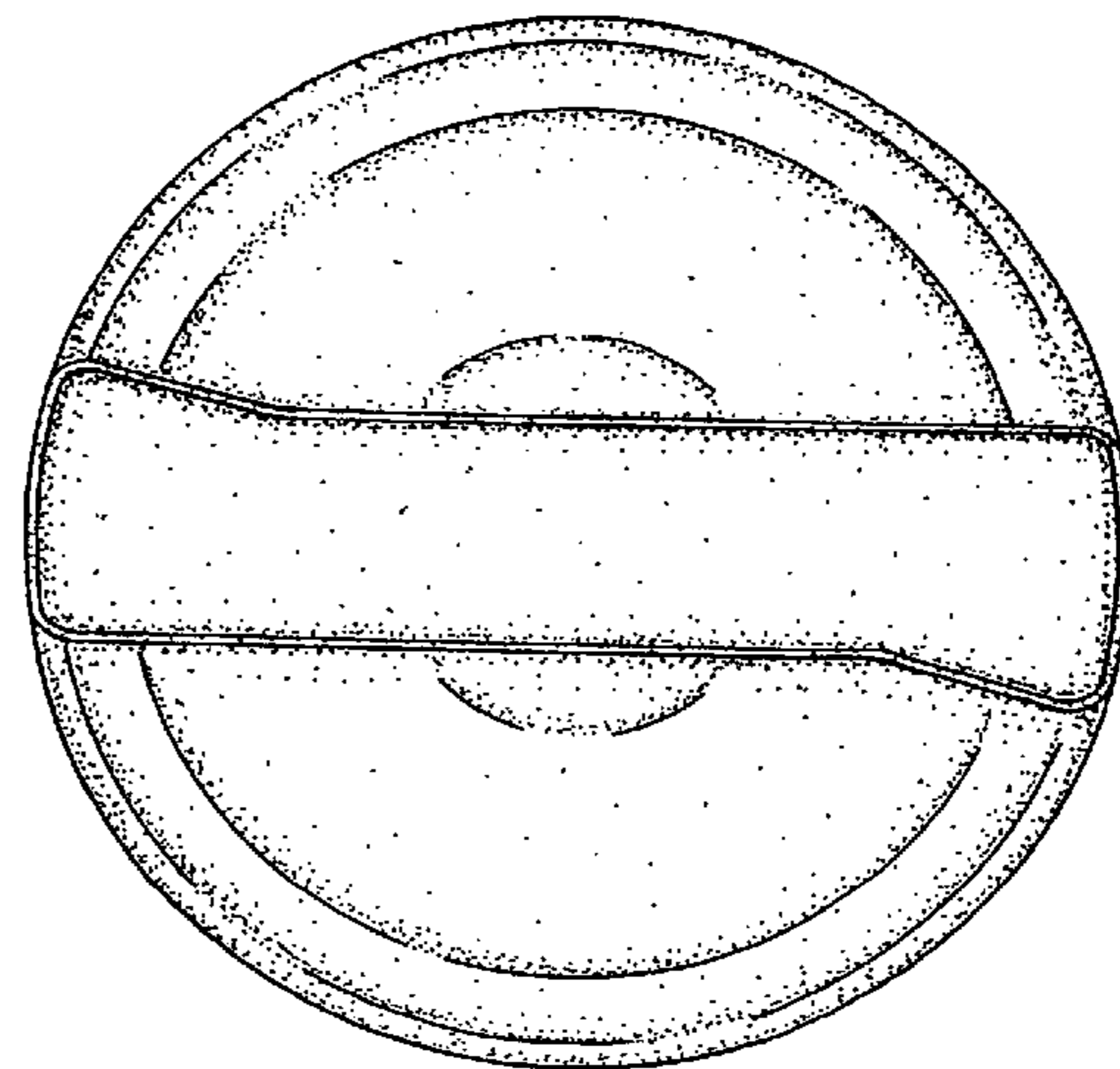
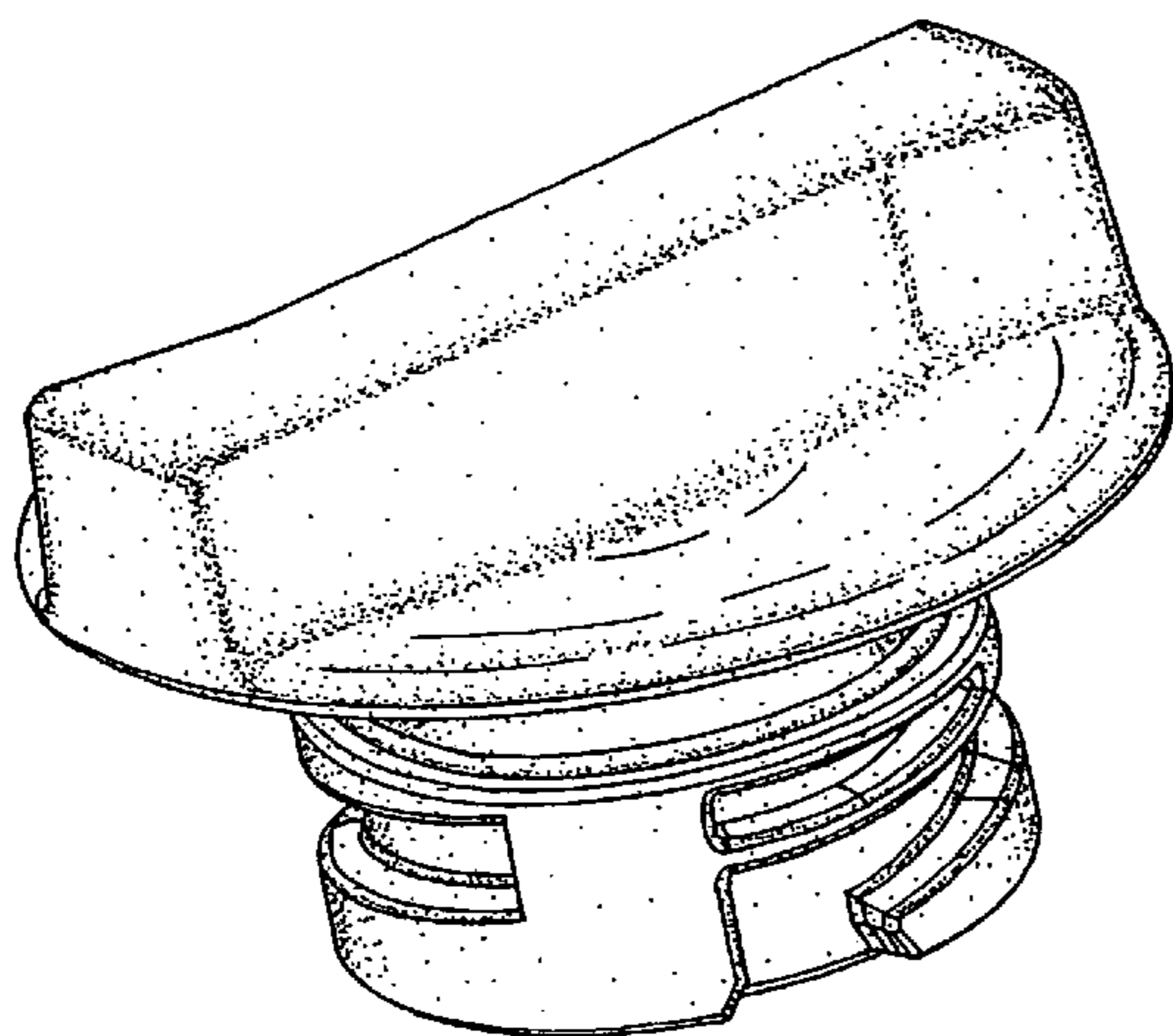


Fig. 1

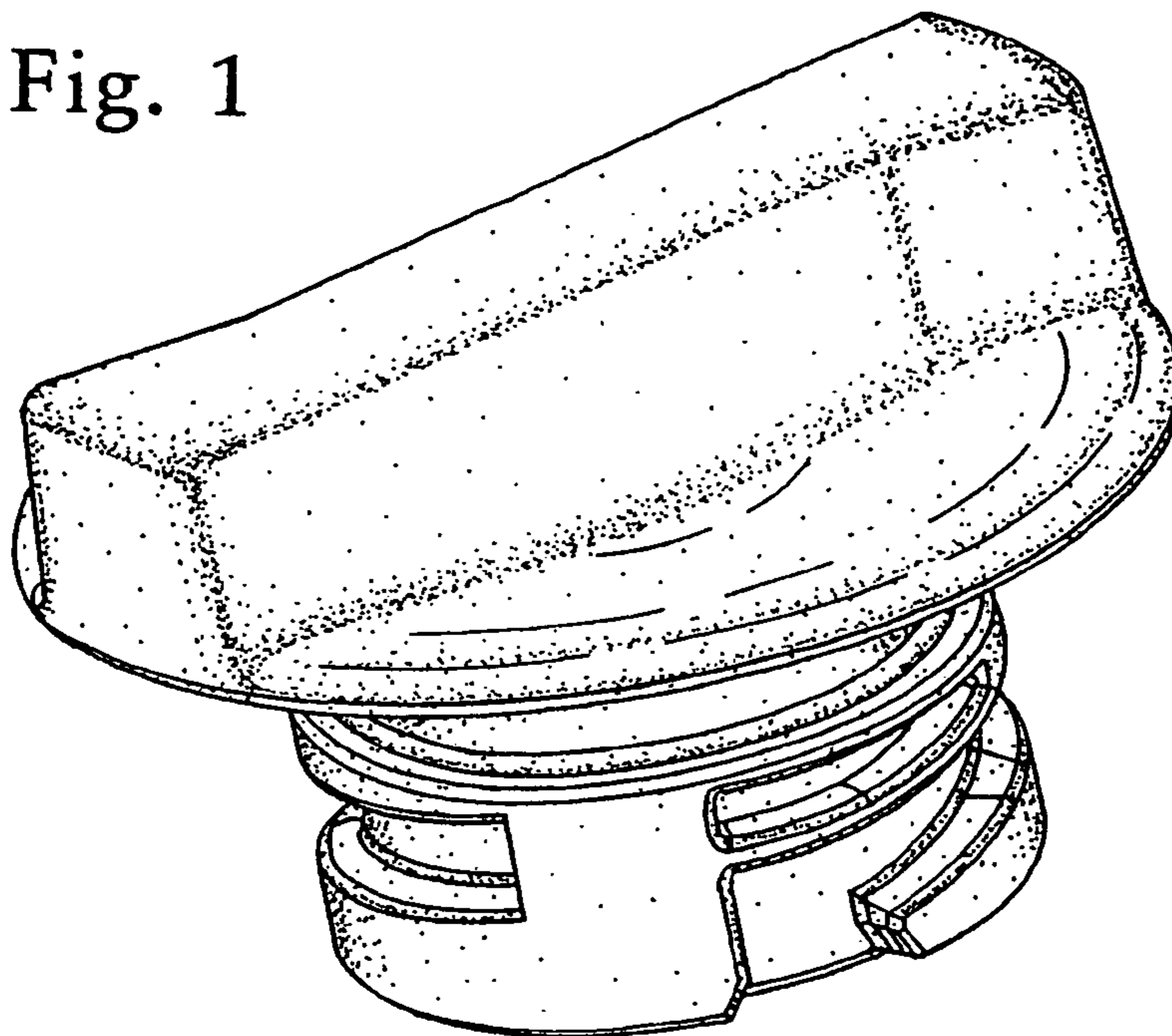


Fig. 2

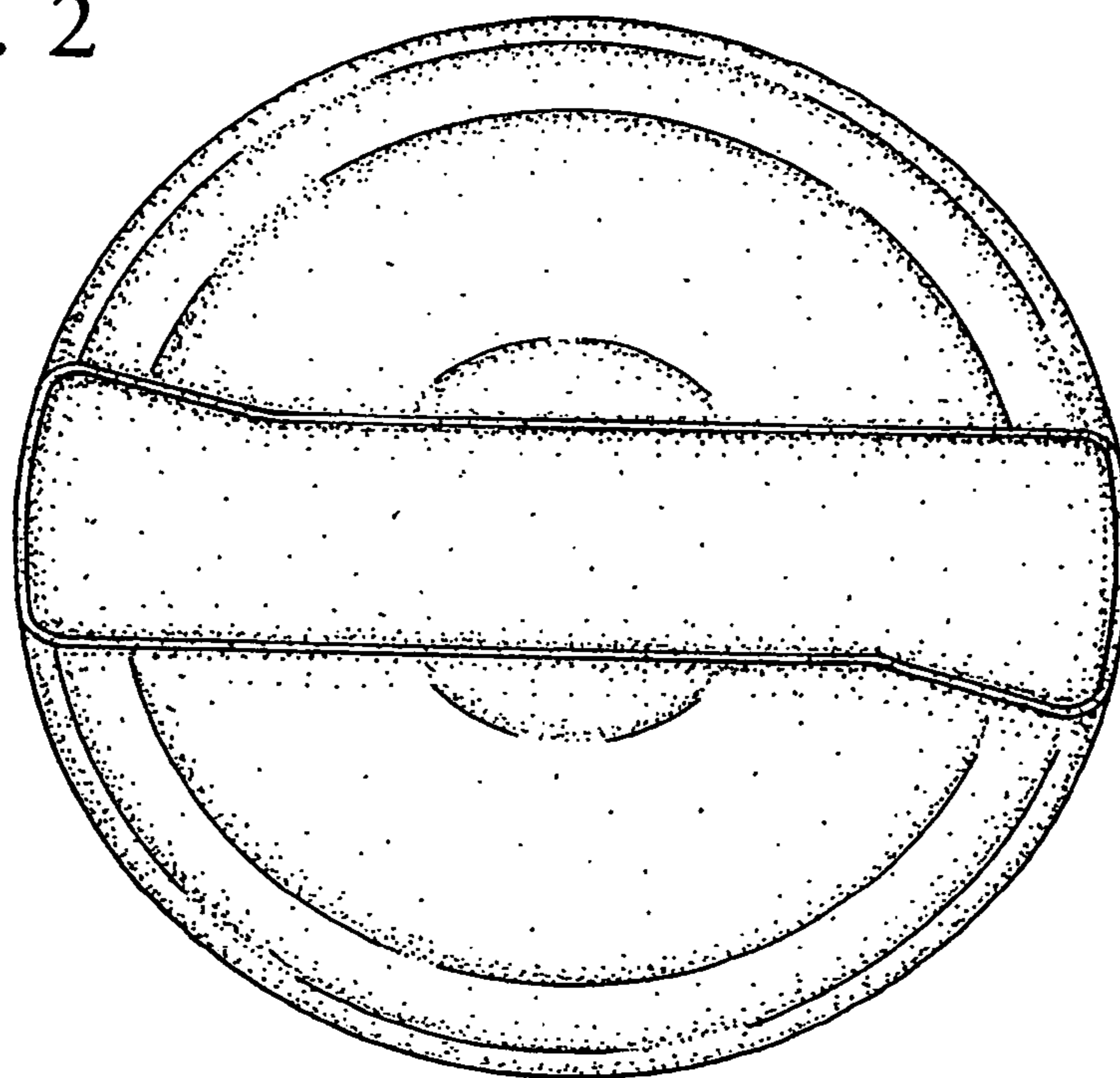


Fig. 3

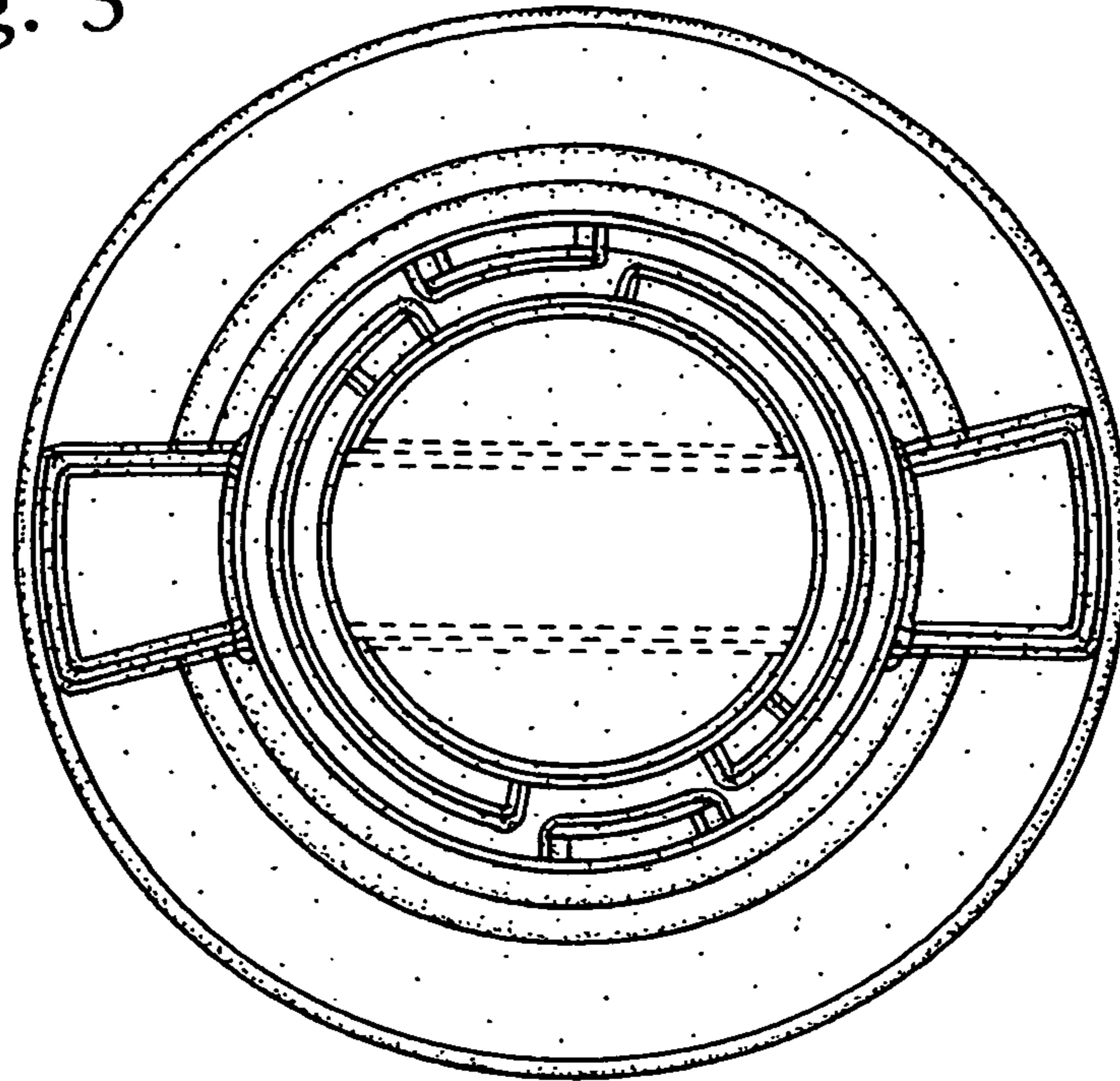


Fig. 4

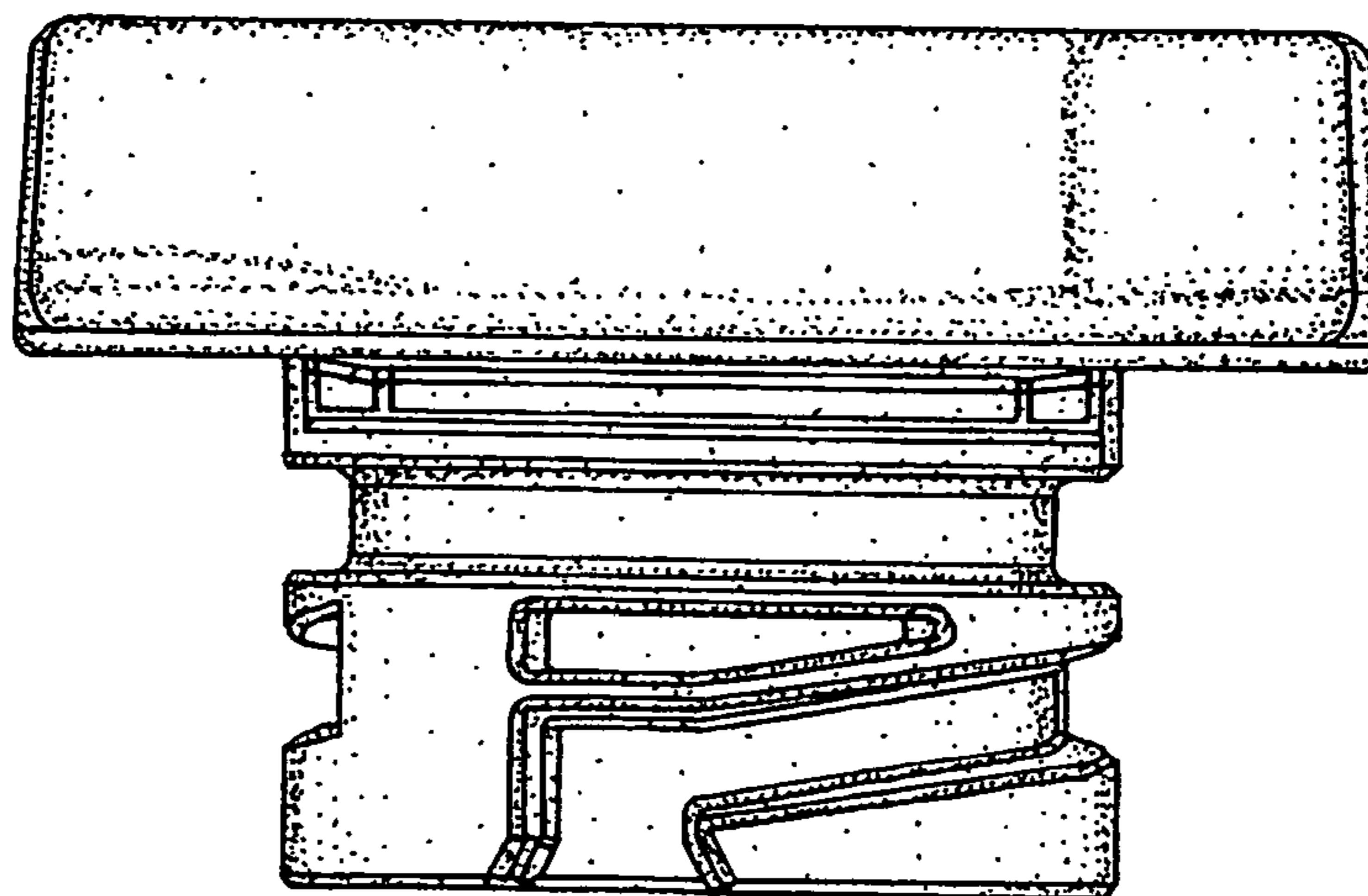


Fig. 5

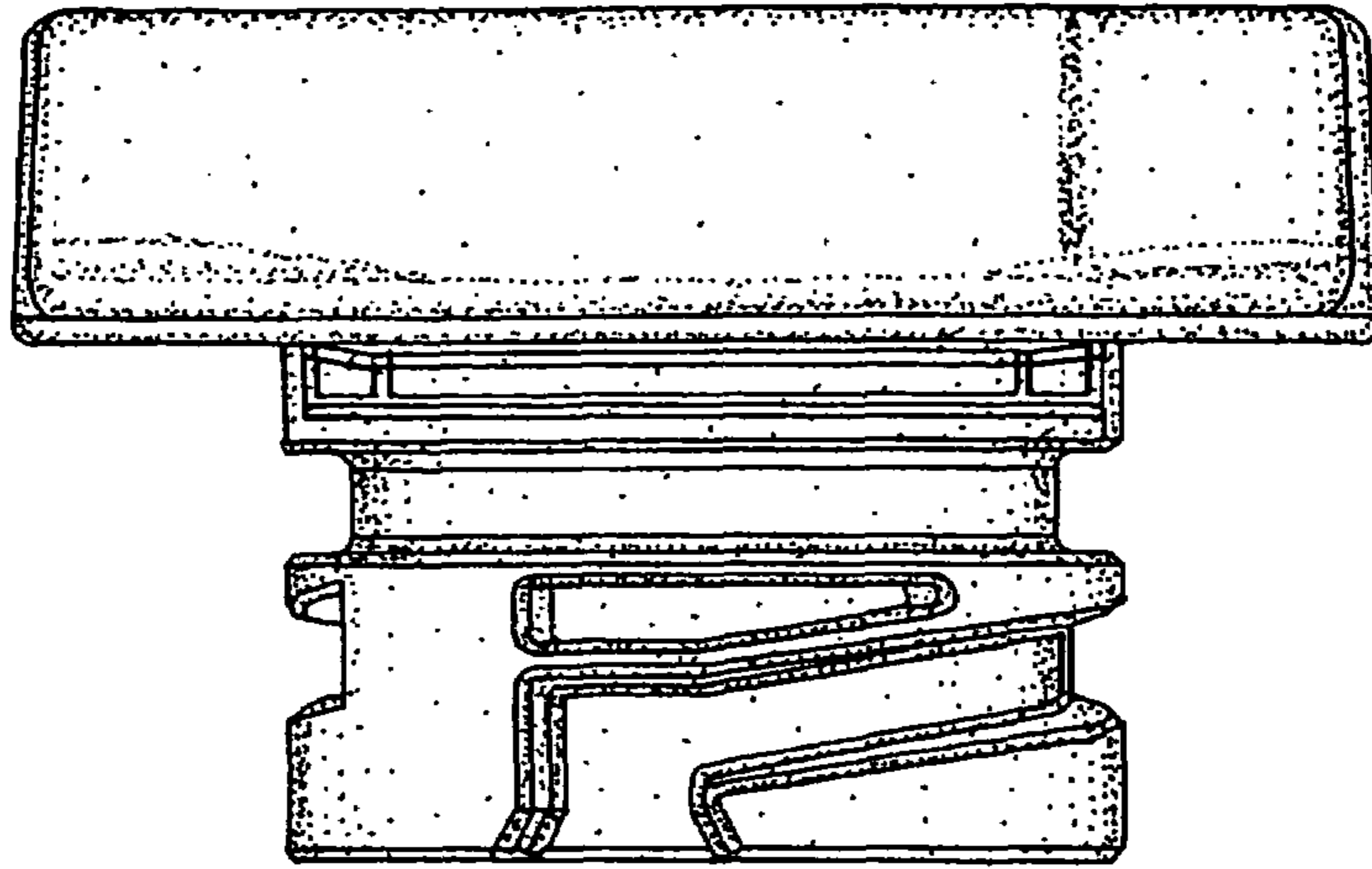


Fig. 6

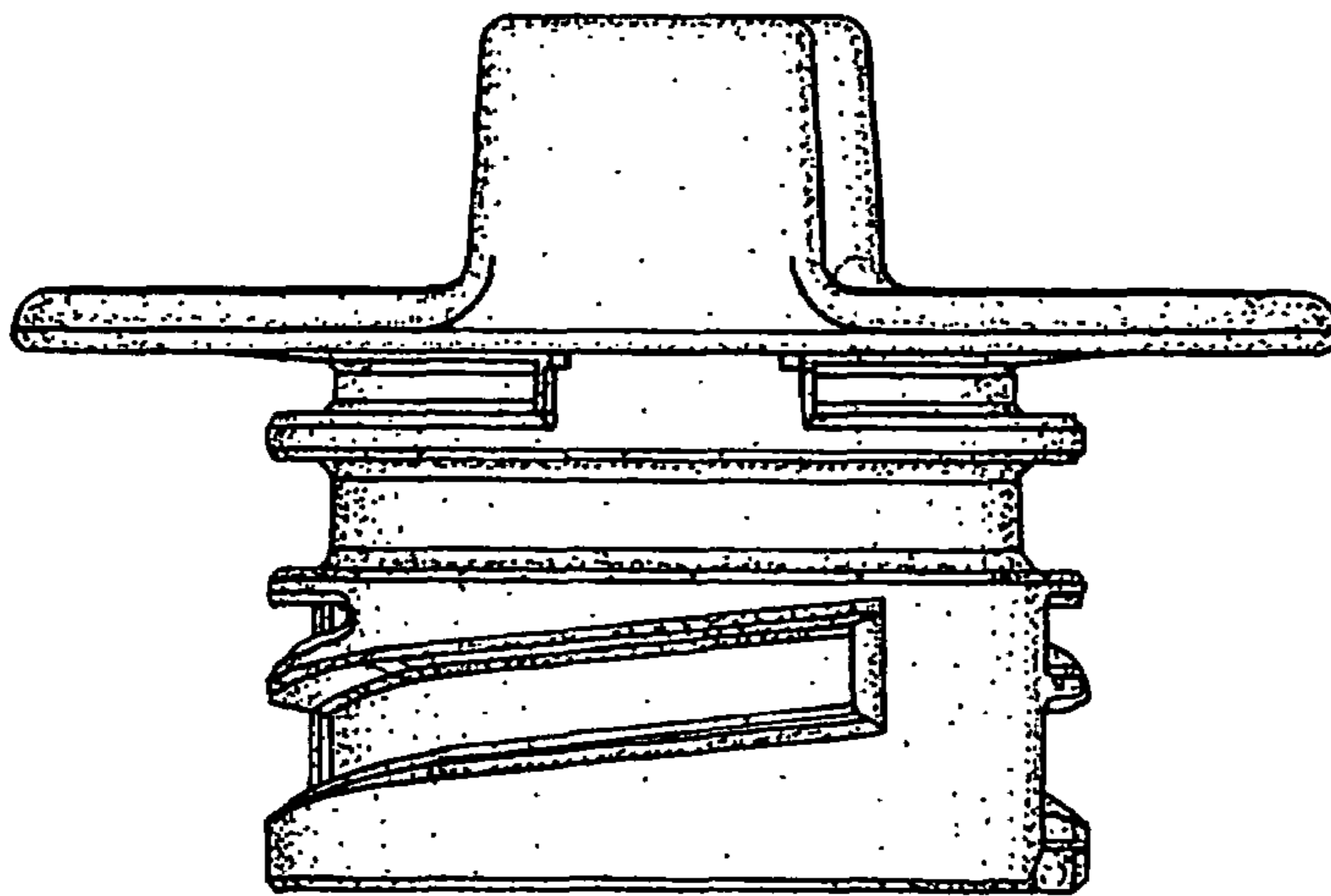


Fig. 7

