



US00D594386S

(12) **United States Design Patent**
Jorgensen et al.

(10) **Patent No.:** **US D594,386 S**

(45) **Date of Patent:** **** Jun. 16, 2009**

(54) **CROSS BEAM FOR CONTAINER FLOOR**

(75) Inventors: **Gert Jorgensen**, Aabenraa (DK); **Lars Lübker**, Haderslev (DK)

(73) Assignee: **Maersk Container Industri A/S**, Tinglev (DK)

(**) Term: **14 Years**

(21) Appl. No.: **29/278,854**

(22) Filed: **Apr. 12, 2007**

(30) **Foreign Application Priority Data**

Oct. 17, 2006 (EM) 000605886

(51) **LOC (9) Cl.** **12-10**

(52) **U.S. Cl.** **D12/106**

(58) **Field of Classification Search** D12/106,
D12/102, 203; D25/126-129, 136, 123,
D25/62, 69; 280/163, 164.1, 166, 169, 607,
280/164.2, 165; 52/846, 630; 220/1.5

See application file for complete search history.

(56) **References Cited**

U.S. PATENT DOCUMENTS

- 3,760,549 A * 9/1973 Silberkuhl et al. 52/630
- D233,663 S * 11/1974 Lafayette D25/126
- 3,950,912 A * 4/1976 Lundberg et al. 52/846
- D273,997 S * 5/1984 Ryan D25/126

2003/0146212 A1* 8/2003 Mai et al. 220/1.5

* cited by examiner

Primary Examiner—Caron Veynar

Assistant Examiner—George D Kirschbaum

(74) *Attorney, Agent, or Firm*—McCormick, Paulding & Huber LLP

(57) **CLAIM**

The ornamental design for a cross beam for container floor, as shown and described.

DESCRIPTION

FIG. 1 is a perspective view of a cross beam for container floor comprising a new, original and ornamental design.

FIG. 2 is a top view of a cross beam for container floor comprising the new, original and ornamental design.

FIG. 3 is a bottom view of a cross beam for container floor comprising the new, original and ornamental design.

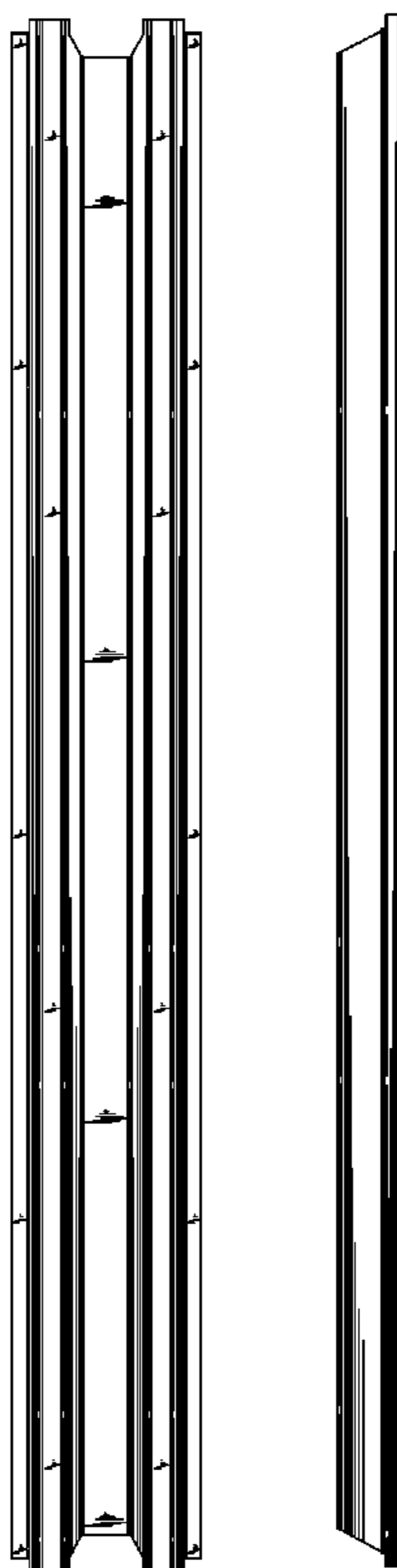
FIG. 4 is a left-hand side view of a cross beam for container floor comprising the new, original and ornamental design.

FIG. 5 is a right-hand side view of a cross beam for container floor comprising the new, original and ornamental design.

FIG. 6 is a front view of a cross beam for container floor comprising the new, original and ornamental design; and,

FIG. 7 is a rear view of a cross beam for container floor comprising the new original and ornamental design.

1 Claim, 3 Drawing Sheets



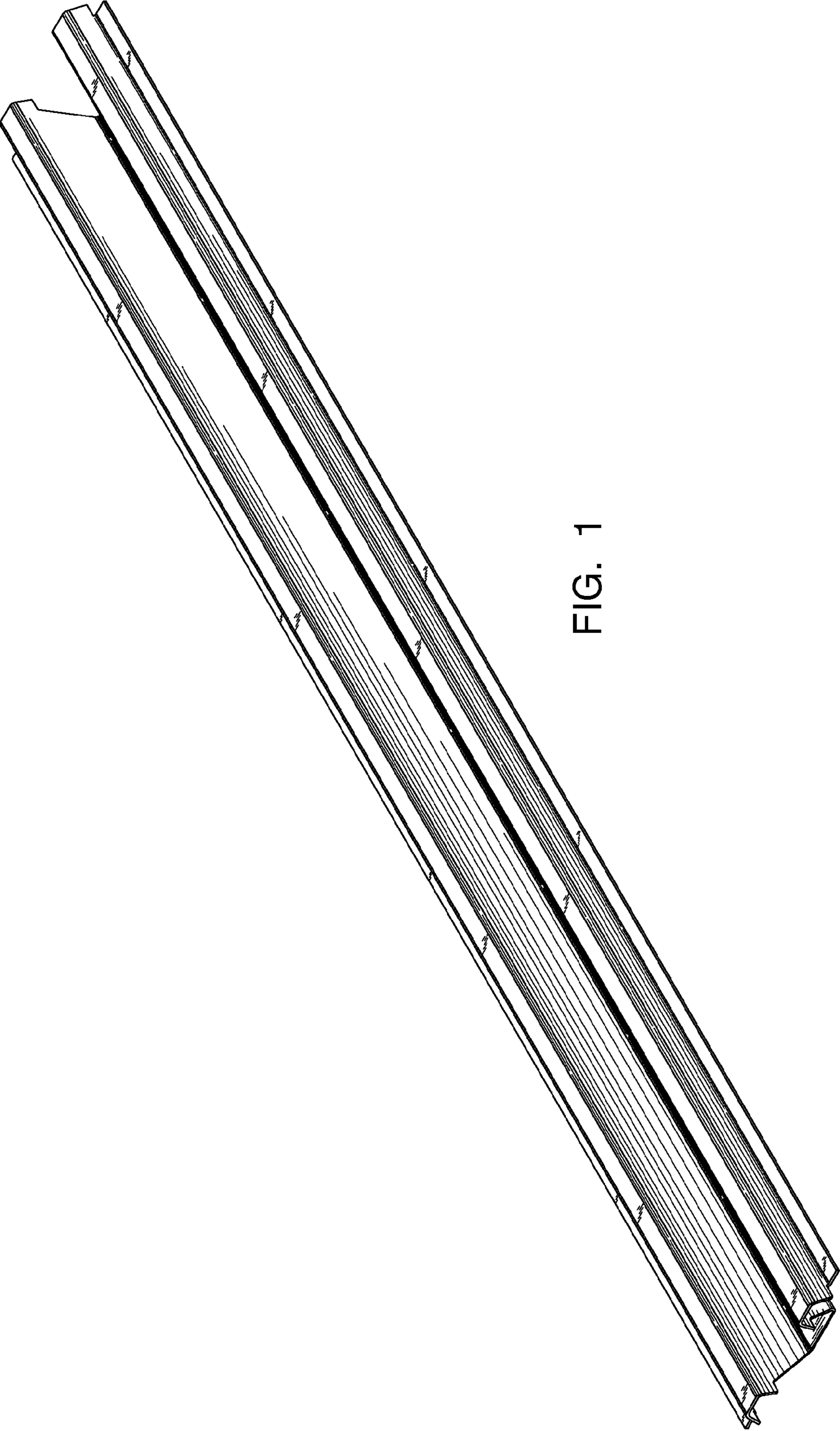


FIG. 1

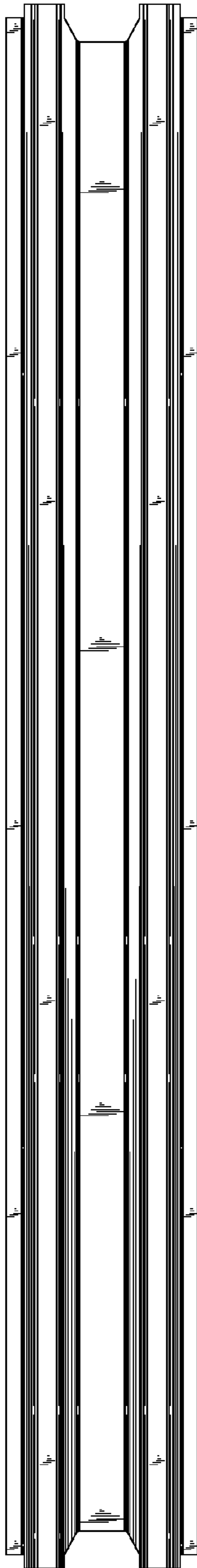


FIG. 2

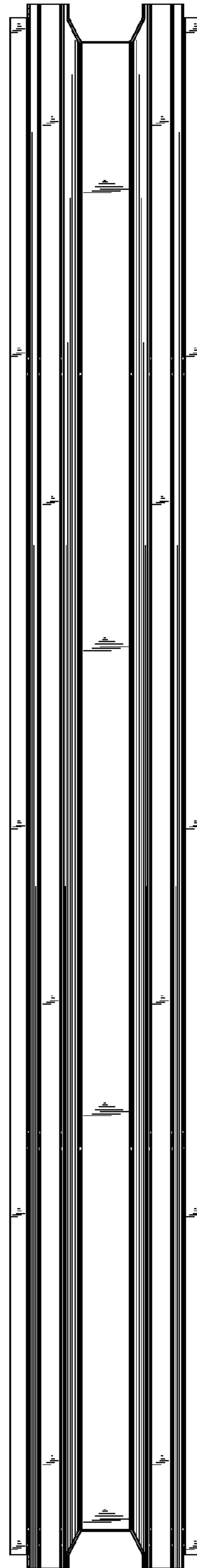


FIG. 3

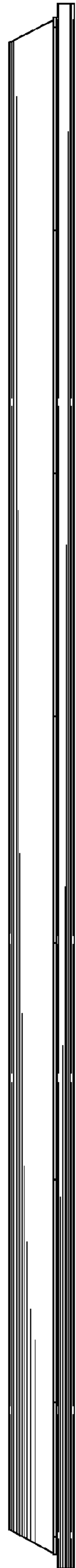


FIG. 4

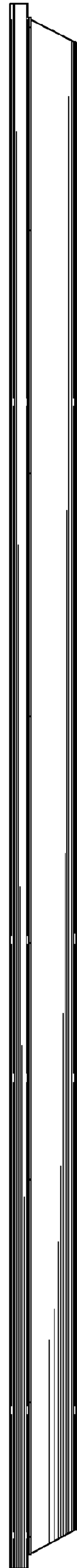


FIG. 5



FIG. 6



FIG. 7