



US00D594385S

(12) **United States Design Patent**
Cadotte

(10) **Patent No.:** **US D594,385 S**
(45) **Date of Patent:** **** Jun. 16, 2009**

(54) **TRAILER**

D546,245 S * 7/2007 Heard D12/102
D563,282 S * 3/2008 Mason D12/102

(75) Inventor: **Germain Cadotte, Sherbrooke (CA)**

* cited by examiner

(73) Assignee: **Bombardier Recreational Products Inc., Valcourt (CA)**

Primary Examiner—Stacia Cadmus
(74) *Attorney, Agent, or Firm*—Osler, Hoskin & Harcourt LLP

(**) Term: **14 Years**

(21) Appl. No.: **29/329,706**

(57) **CLAIM**

(22) Filed: **Dec. 19, 2008**

The ornamental design for a trailer, as shown and described.

(51) **LOC (9) Cl.** **12-10**

(52) **U.S. Cl.** **D12/102**

(58) **Field of Classification Search** D12/101-106;
280/202, 204, 475, 656; 296/181.3, 182.1,
296/173, 100.02, 184.1, 168, 185.1

See application file for complete search history.

DESCRIPTION

(56) **References Cited**

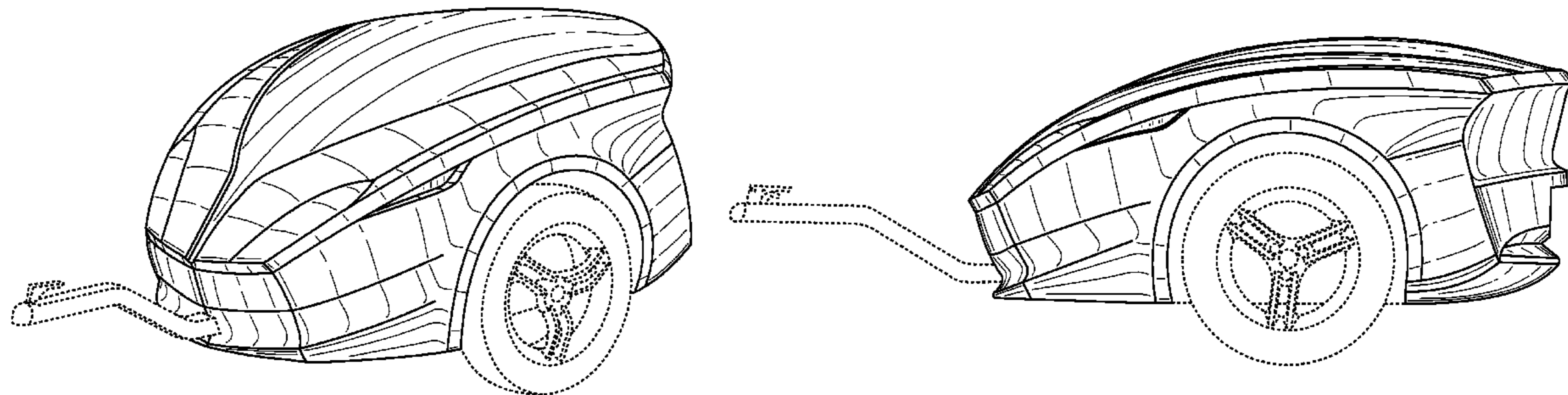
U.S. PATENT DOCUMENTS

D274,896 S *	7/1984	Wilson	D12/102
D389,785 S *	1/1998	Guzak	D12/102
D391,526 S *	3/1998	Kass et al.	D12/102
D394,619 S *	5/1998	DeShong et al.	D12/102
6,042,175 A *	3/2000	Williams	296/185.1
D422,243 S *	4/2000	Keirstead	D12/102
6,213,539 B1 *	4/2001	Williams et al.	296/185.1
D486,096 S *	2/2004	Messmer	D12/102
D542,183 S *	5/2007	Van Buuren	D12/102
D544,407 S *	6/2007	Heard	D12/102

FIG. 1 is a front, left perspective view showing a trailer according to my design;
FIG. 2 is a left side elevation view thereof;
FIG. 3 is a right side elevation view thereof;
FIG. 4 is a front elevation view thereof;
FIG. 5 is a rear elevation view thereof;
FIG. 6 is a top plan view thereof;
FIG. 7 is a right, rear perspective view thereof; and,
FIG. 8 is a front elevation view thereof with some of the unclaimed features in broken lines removed.

Throughout the Figures, the broken lines showing structure or environment form no part of the claimed design. Portions of the article not shown in the drawings form no part of the claimed design.

1 Claim, 7 Drawing Sheets



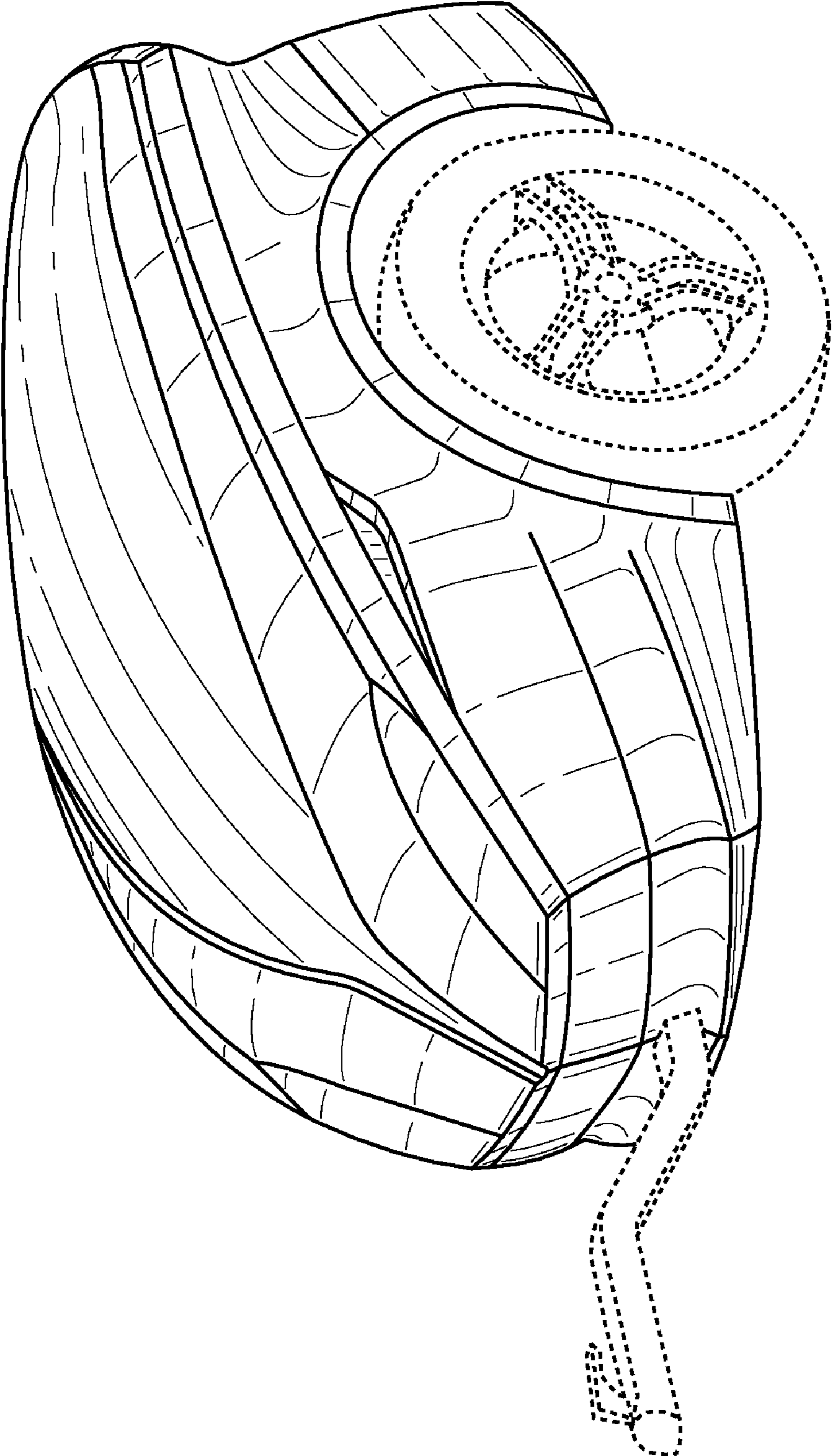


FIG. 1

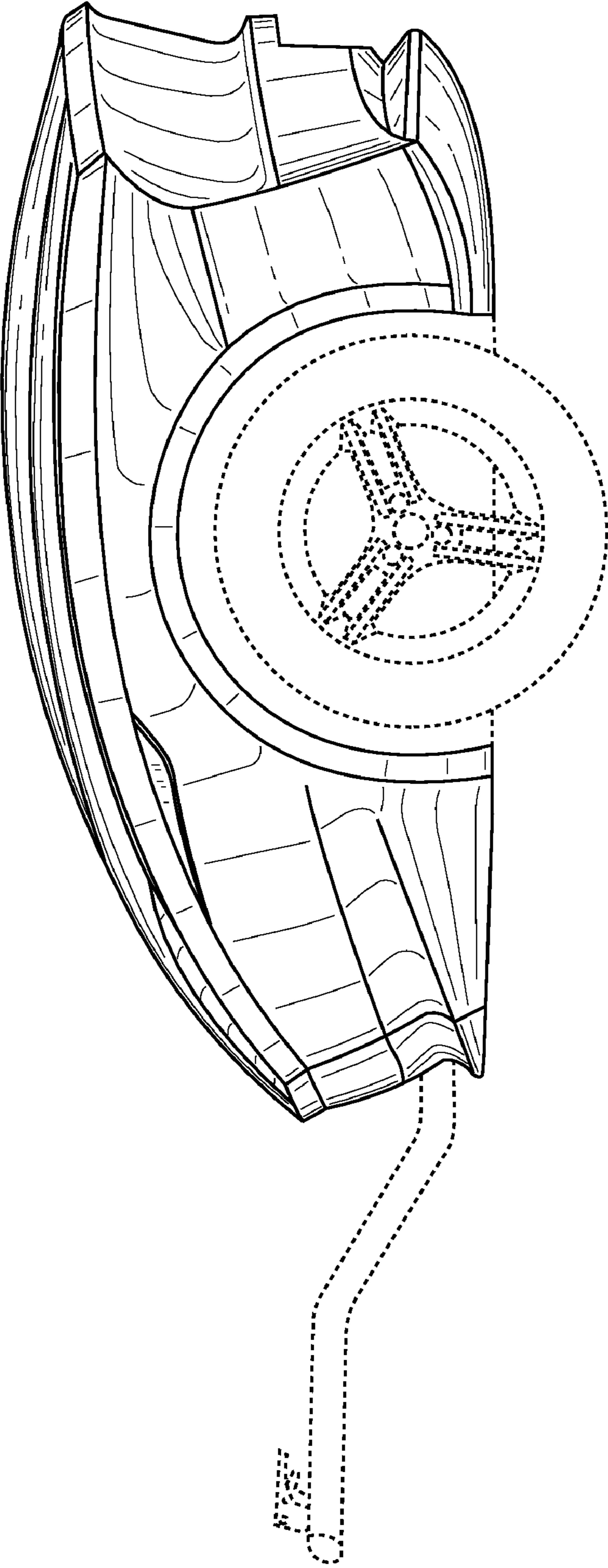


FIG. 2

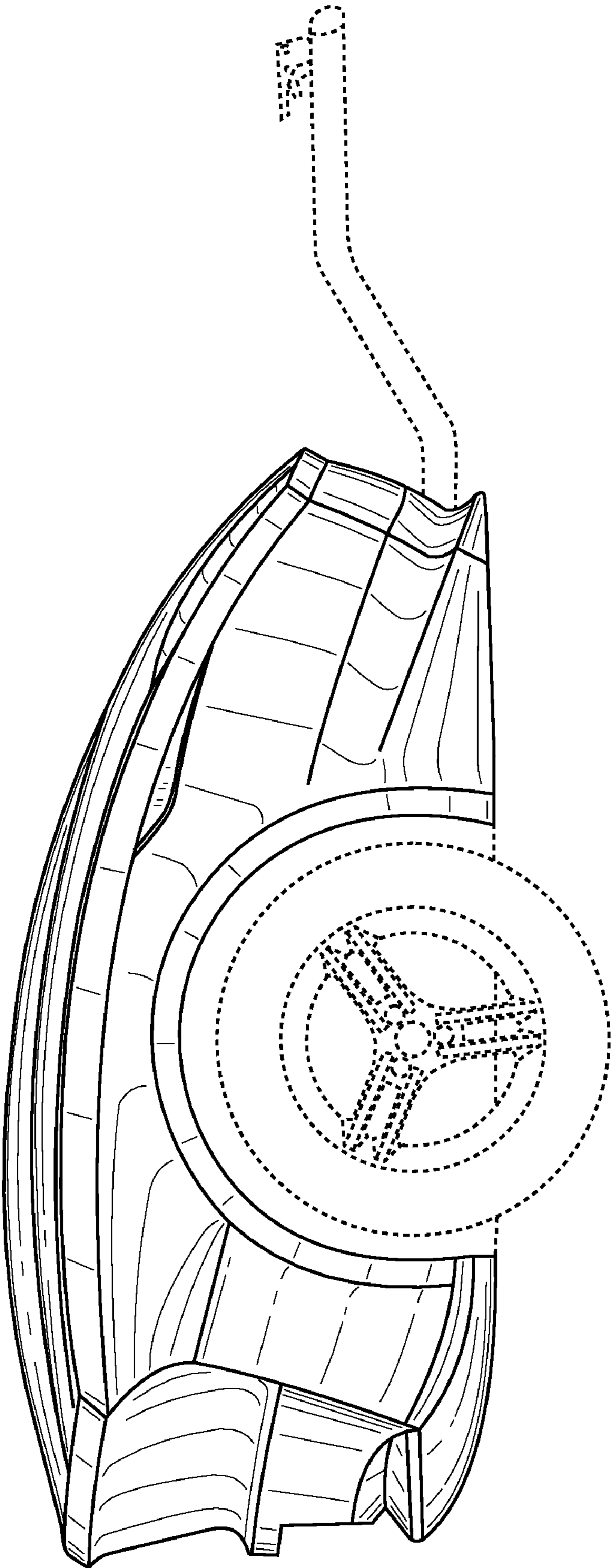


FIG. 3

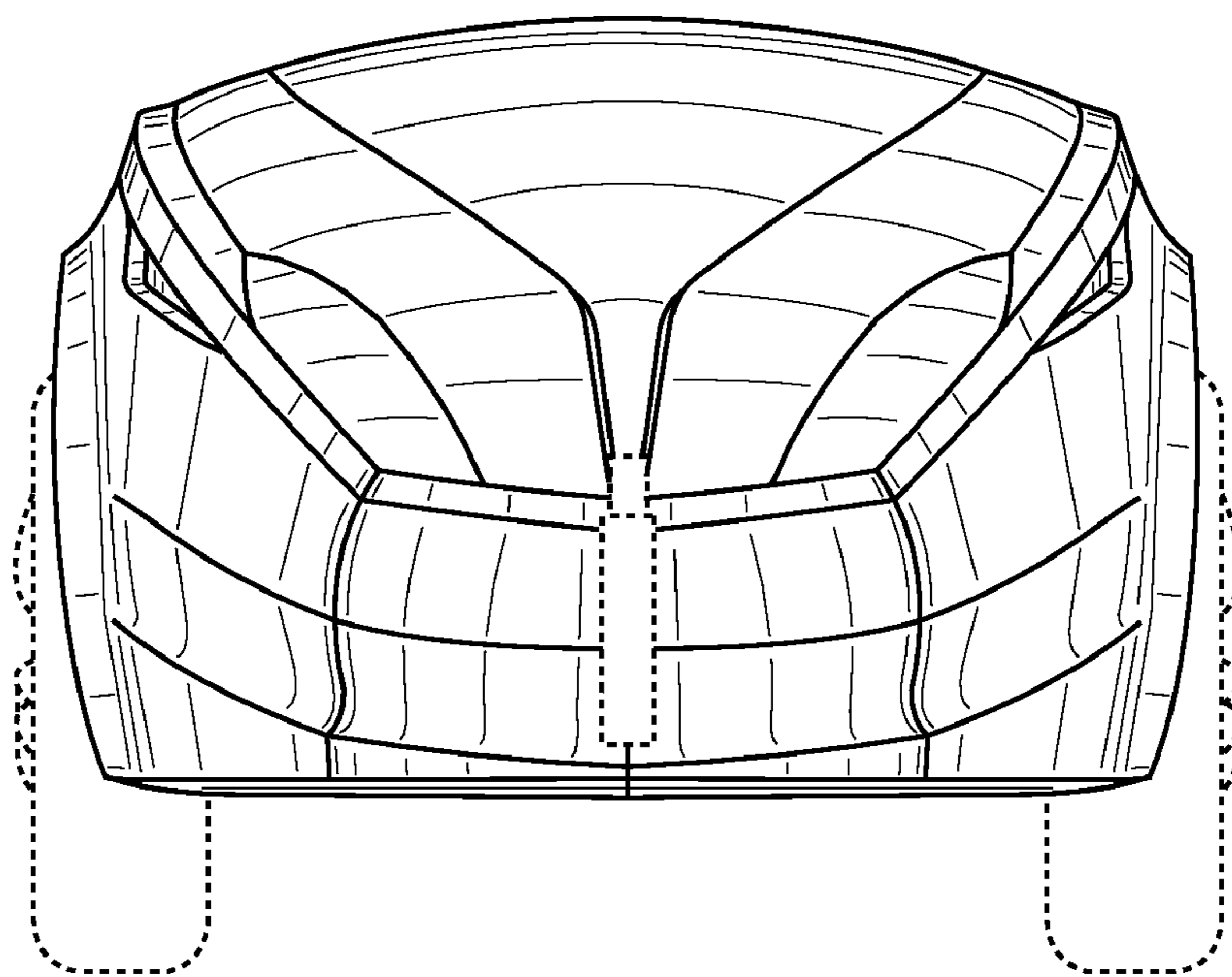


FIG. 4

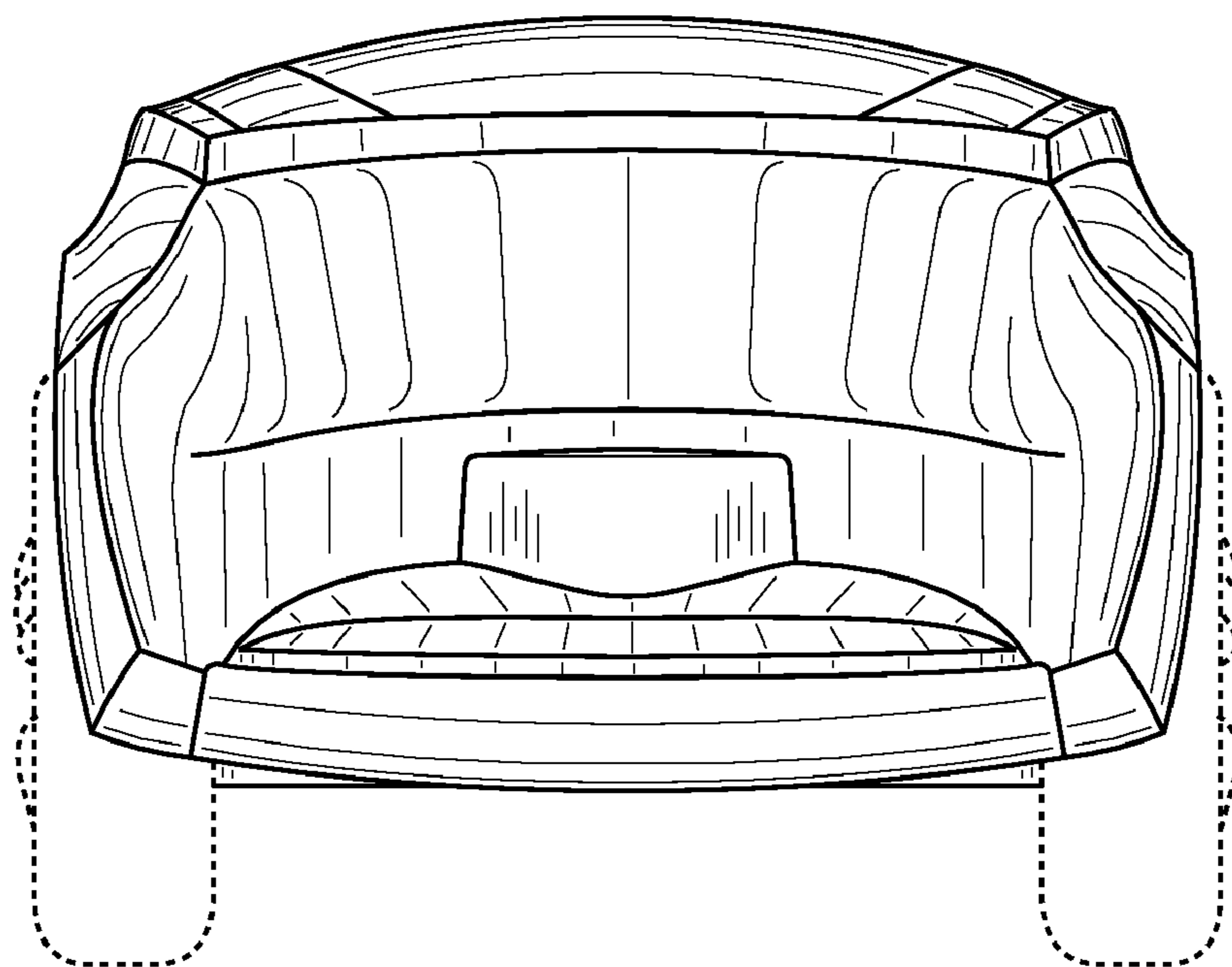


FIG. 5

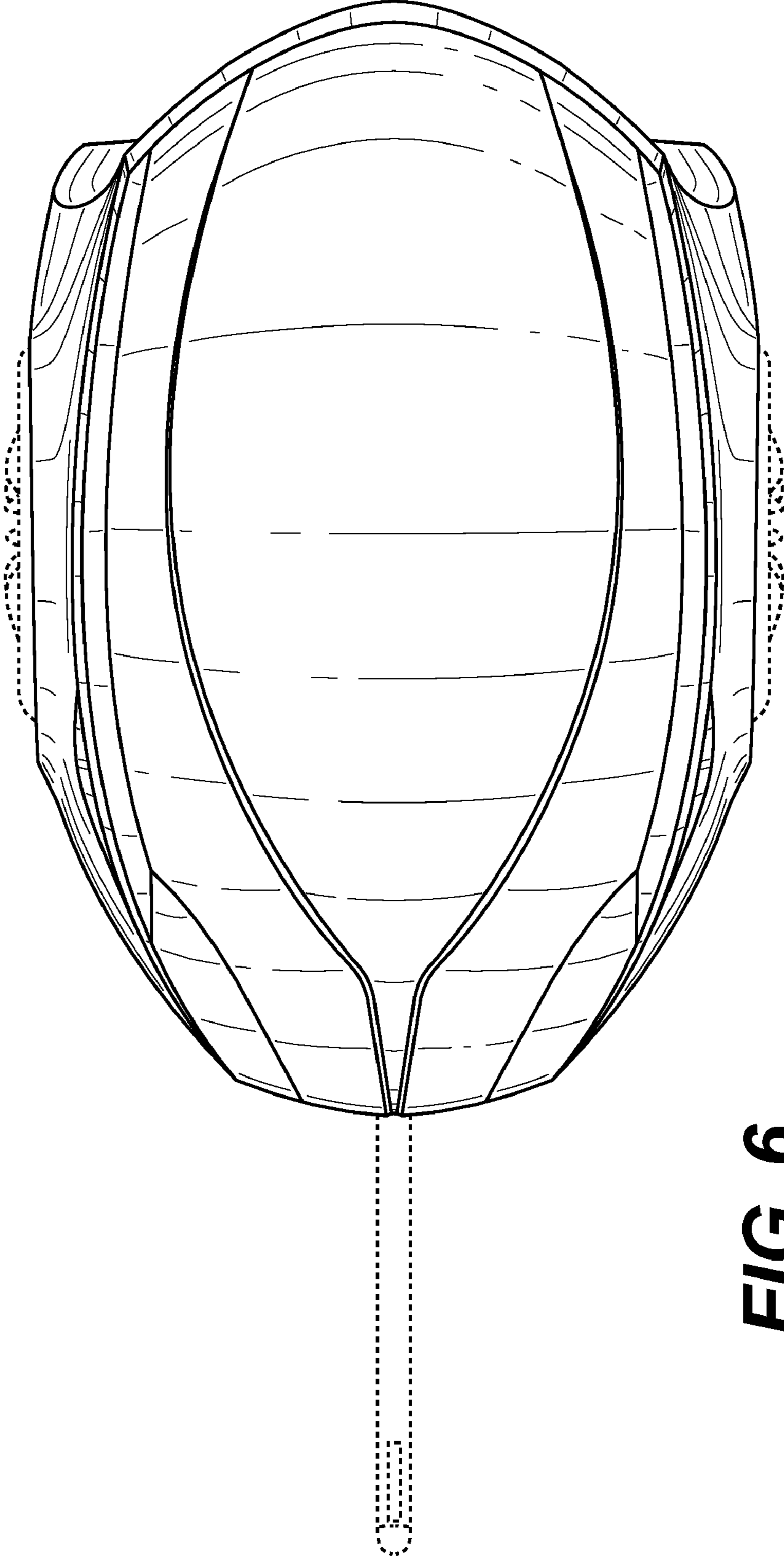


FIG. 6

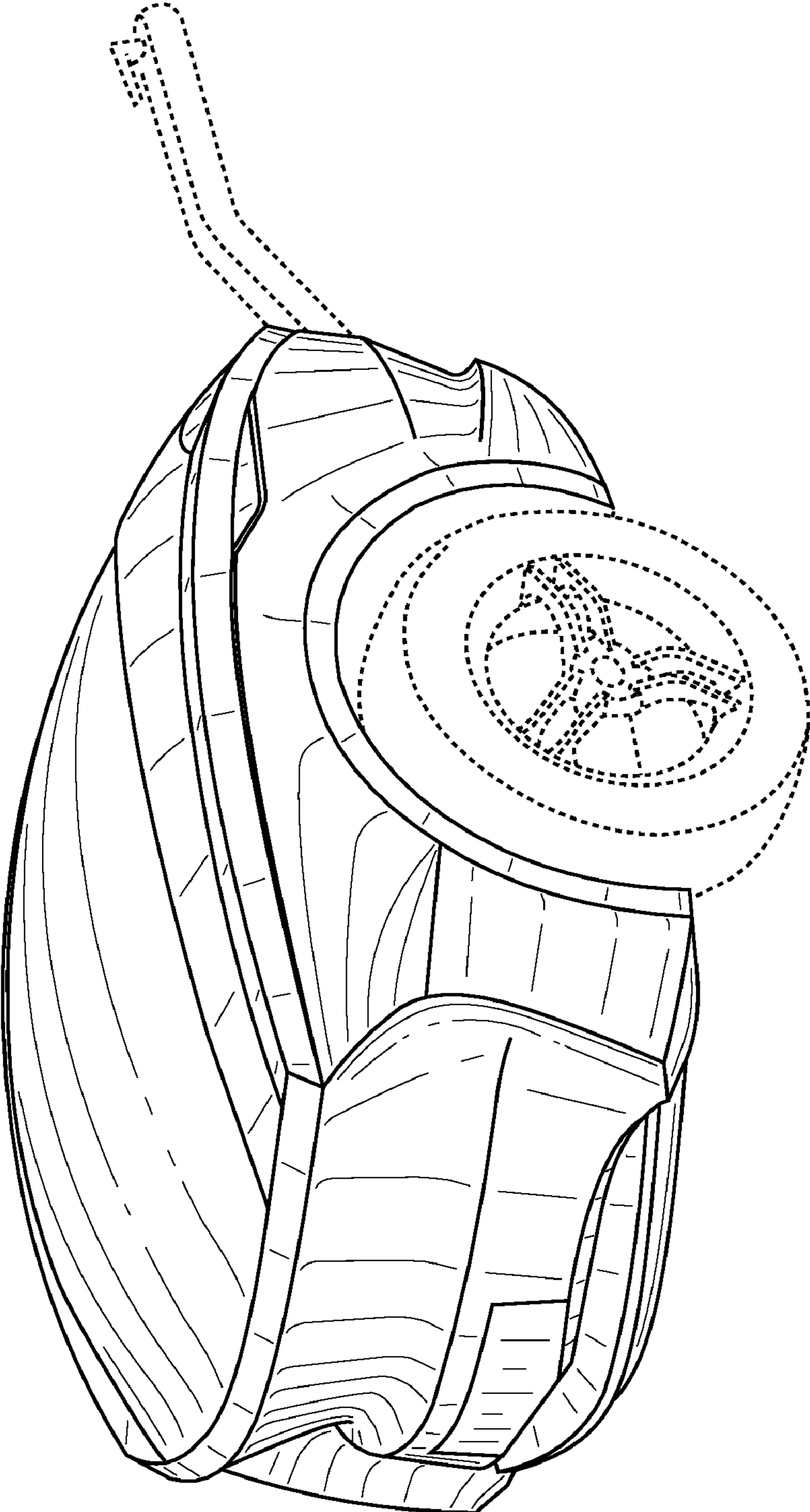


FIG. 7

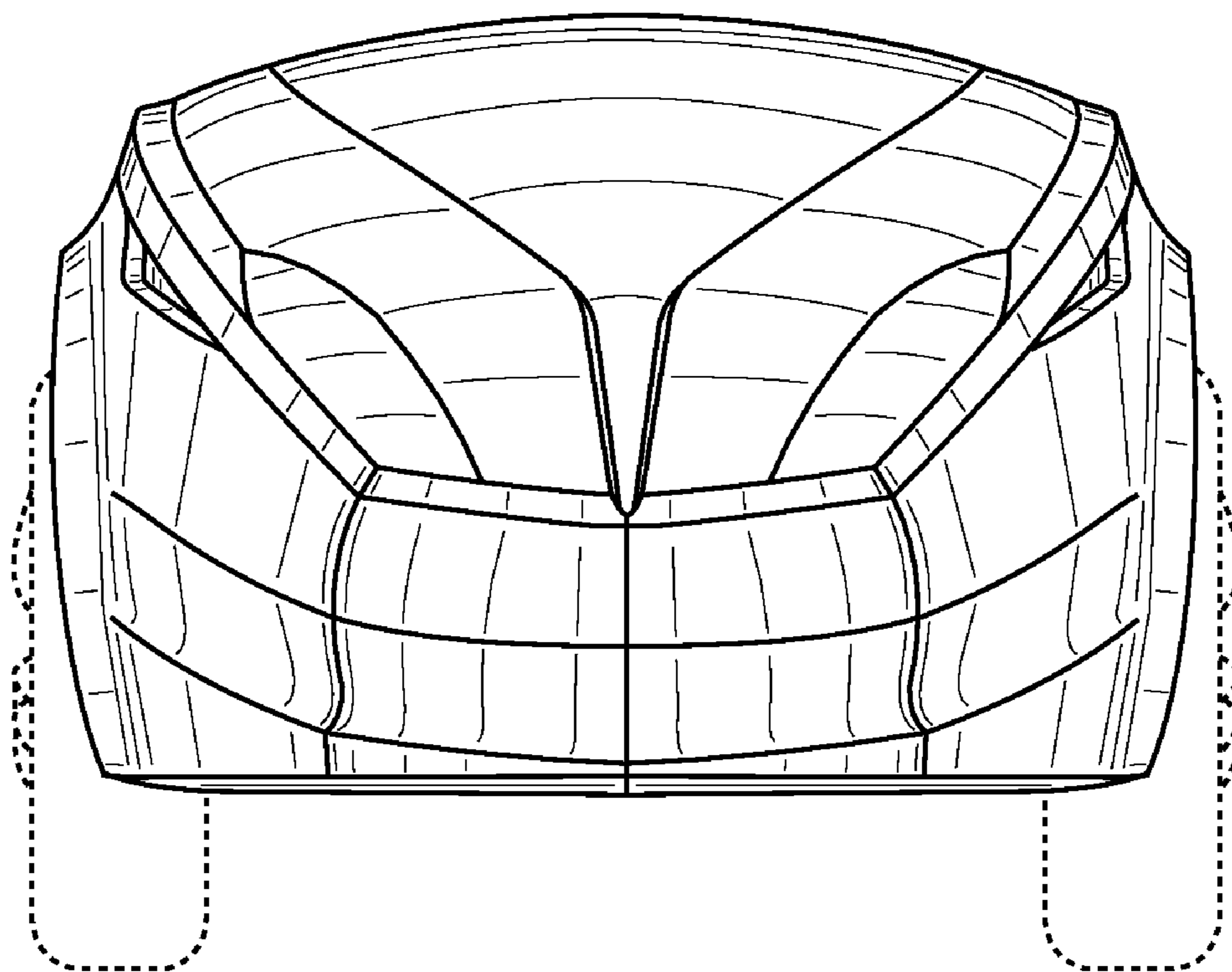


FIG. 8