



US00D594382S

(12) **United States Design Patent**
Bryant et al.

(10) **Patent No.:** **US D594,382 S**
(45) **Date of Patent:** **** Jun. 16, 2009**

(54) **PORTION OF AN OFF-HIGHWAY TRUCK**

(75) Inventors: **Gary C. Bryant**, Chillicothe, IL (US);
John J. Maas, Mount Zion, IL (US);
Colton T. Anderson, Chillicothe, IL
(US); **Kevin F. Stremiau**, Peoria, IL
(US); **Brian R. Janes**, Chillicothe, IL
(US); **Ryan D. Looper**, Mt. Zion, IL
(US)

(73) Assignee: **Caterpillar Inc.**, Peoria, IL (US)

(**) Term: **14 Years**

(21) Appl. No.: **29/285,487**

(22) Filed: **Mar. 30, 2007**

(51) **LOC (9) Cl.** **08-10**

(52) **U.S. Cl.** **D12/15**

(58) **Field of Classification Search** D12/1,
D12/5, 22, 15, 93, 98, 196, 14; D15/10,
D15/25, 30, 33; 414/245, 685, 688, 722,
414/724, 493; 108/234, 641; 37/403, 413,
37/442, 443, 412; D21/558, 559, 562, 561
See application file for complete search history.

(56) **References Cited**

U.S. PATENT DOCUMENTS

D184,217 S	1/1959	Eriacher et al.	
D217,726 S *	6/1970	Cohn	D21/554
D224,651 S	8/1972	Lorenz	
3,713,666 A *	1/1973	Cheers et al.	280/124.177
D234,130 S *	1/1975	Kress	D12/15
D235,528 S	6/1975	Ahola	
3,923,337 A *	12/1975	Kershaw et al.	296/183.2
3,938,238 A	2/1976	Kershaw et al.	

(Continued)

OTHER PUBLICATIONS

Rigid Dumper, Rd 32, Astra, English Sep. 2005, (3 pps.).
New Rigid Dump Trucks, RD 28, RD 32, Astra, Italian/English,
A3500679-05-2005 (2 pps.).

Primary Examiner—T. Chase Nelson
Assistant Examiner—Ania K. Dworzecka
(74) *Attorney, Agent, or Firm*—Michael D. Braunstein

(57) **CLAIM**

The ornamental design for a portion of an off-highway truck,
as shown and described.

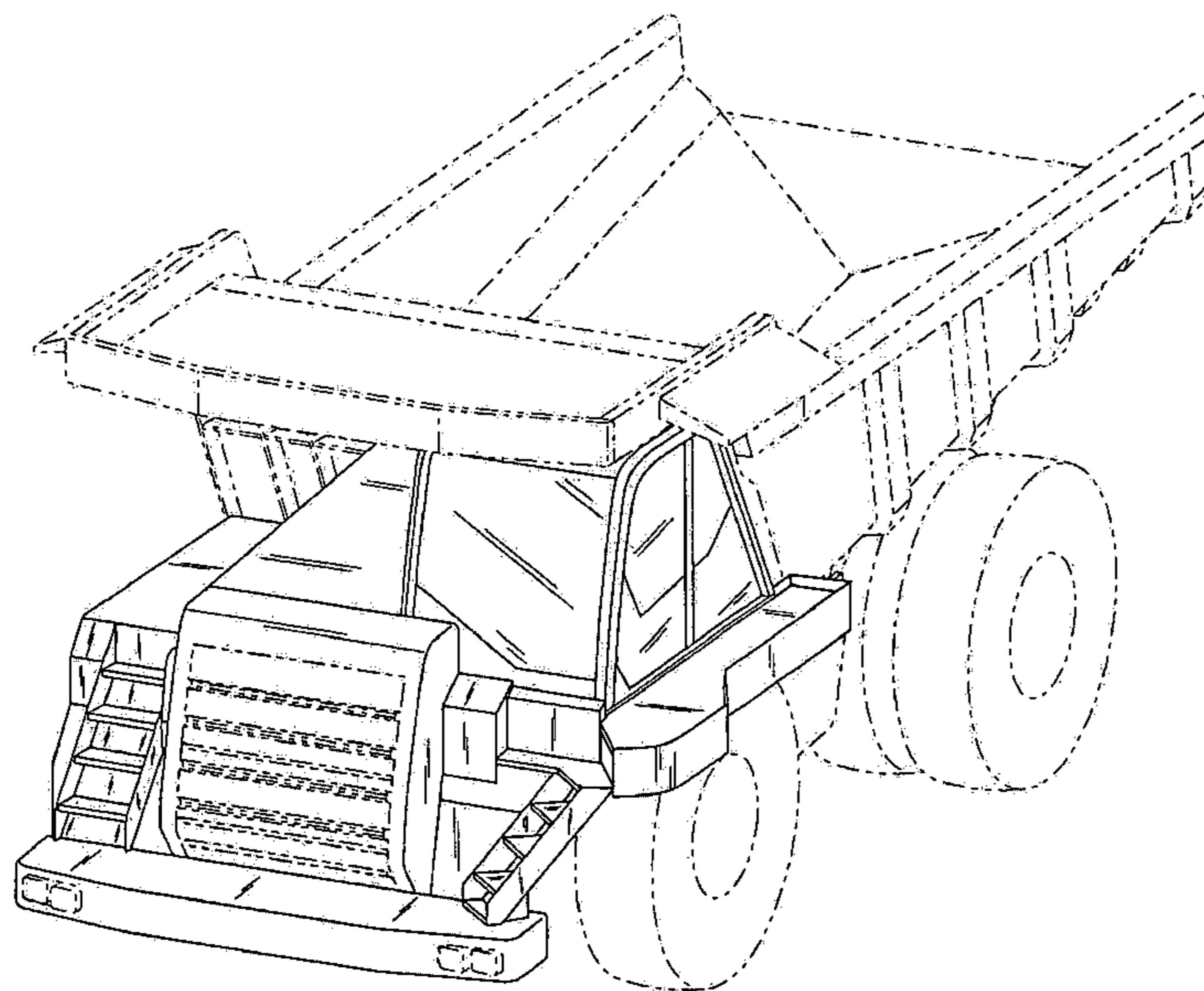
DESCRIPTION

FIG. 1 is a front view of our new design;
FIG. 2 is a left view thereof;
FIG. 3 is a rear view thereof;
FIG. 4 is a right view thereof;
FIG. 5 is a top view thereof;
FIG. 6 is a left, front perspective view thereof;
FIG. 7 is a right, front perspective view thereof.
FIG. 8 is a left, front perspective view thereof, shown in
context;
FIG. 9 is a right, front perspective view thereof, shown in
context;
FIG. 10 is a right view thereof, shown in context; and,
FIG. 11 is a left view thereof, shown in context.

The bottom view does not form part of the claimed design and
therefore is not disclosed.

The elements depicted in dashed lines form no part of the
claimed design.

1 Claim, 11 Drawing Sheets



US D594,382 S

Page 2

U.S. PATENT DOCUMENTS

D240,613	S	*	7/1976	Thomas et al.	D12/15	6,175,788	B1	1/2001	Hasegawa et al.
3,977,489	A	*	8/1976	Cole et al.	180/89.1	D458,943	S	6/2002	Briggs et al.
4,236,601	A	*	12/1980	Naka	182/76	D465,499	S	11/2002	Briggs et al.
4,307,300	A		12/1981	Kisami		6,542,851	B2	4/2003	Hasegawa et al.
4,325,444	A	*	4/1982	Anami	180/346	6,588,539	B2	7/2003	Hinton et al.
4,418,636	A	*	12/1983	Piper	116/28 R	6,935,678	B1	8/2005	Laban et al.
4,491,336	A	*	1/1985	Myers	280/124.154	7,100,256	B2	9/2006	D'Amico et al.
4,531,781	A	*	7/1985	Hunt et al.	298/22 P	7,131,670	B2	11/2006	Kinoshita
D289,069	S		3/1987	Ohno		D545,473	S	6/2007	Nunes
D289,748	S		5/1987	Proeschl		2002/0103623	A1	8/2002	Hasegawa et al.
4,684,152	A		8/1987	Goodbary et al.		2004/0036245	A1	2/2004	Mollhagen
4,719,361	A	*	1/1988	Brubaker	290/45	2004/0102907	A1	5/2004	Lueschow et al.
5,385,391	A	*	1/1995	Dickerson	298/17 R	2004/0104596	A1	6/2004	Bender
5,472,062	A		12/1995	Nagai et al.		2005/0040695	A1	2/2005	Kinoshita
5,797,657	A		8/1998	D'Amico		2006/0080818	A1	4/2006	D'Amico et al.
6,086,076	A		7/2000	Prem et al.		2007/0101818	A1	5/2007	Kabrich et al.
6,113,193	A		9/2000	Kunzeman		2007/0114092	A1	5/2007	Khalil et al.

* cited by examiner

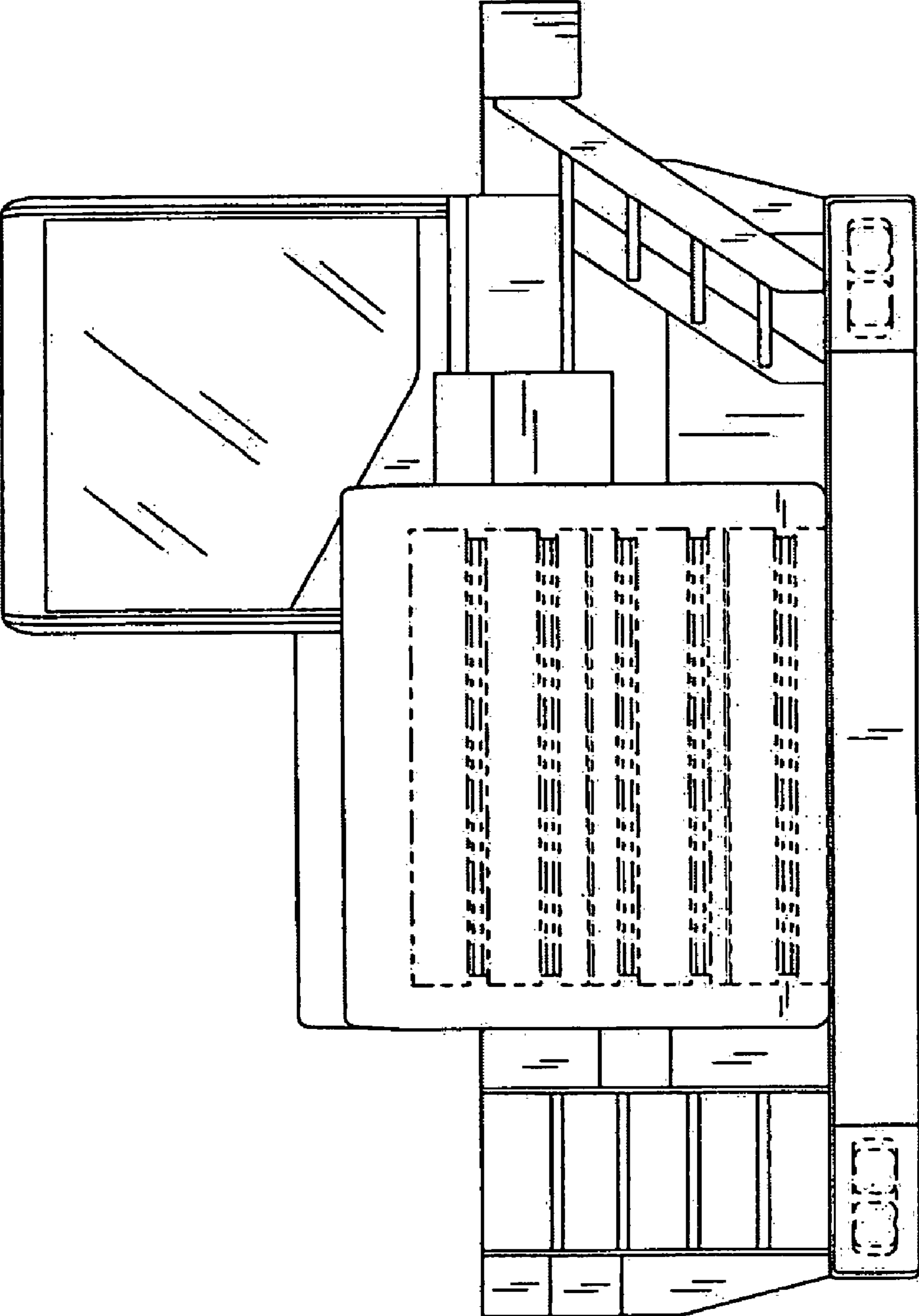


FIG. 1

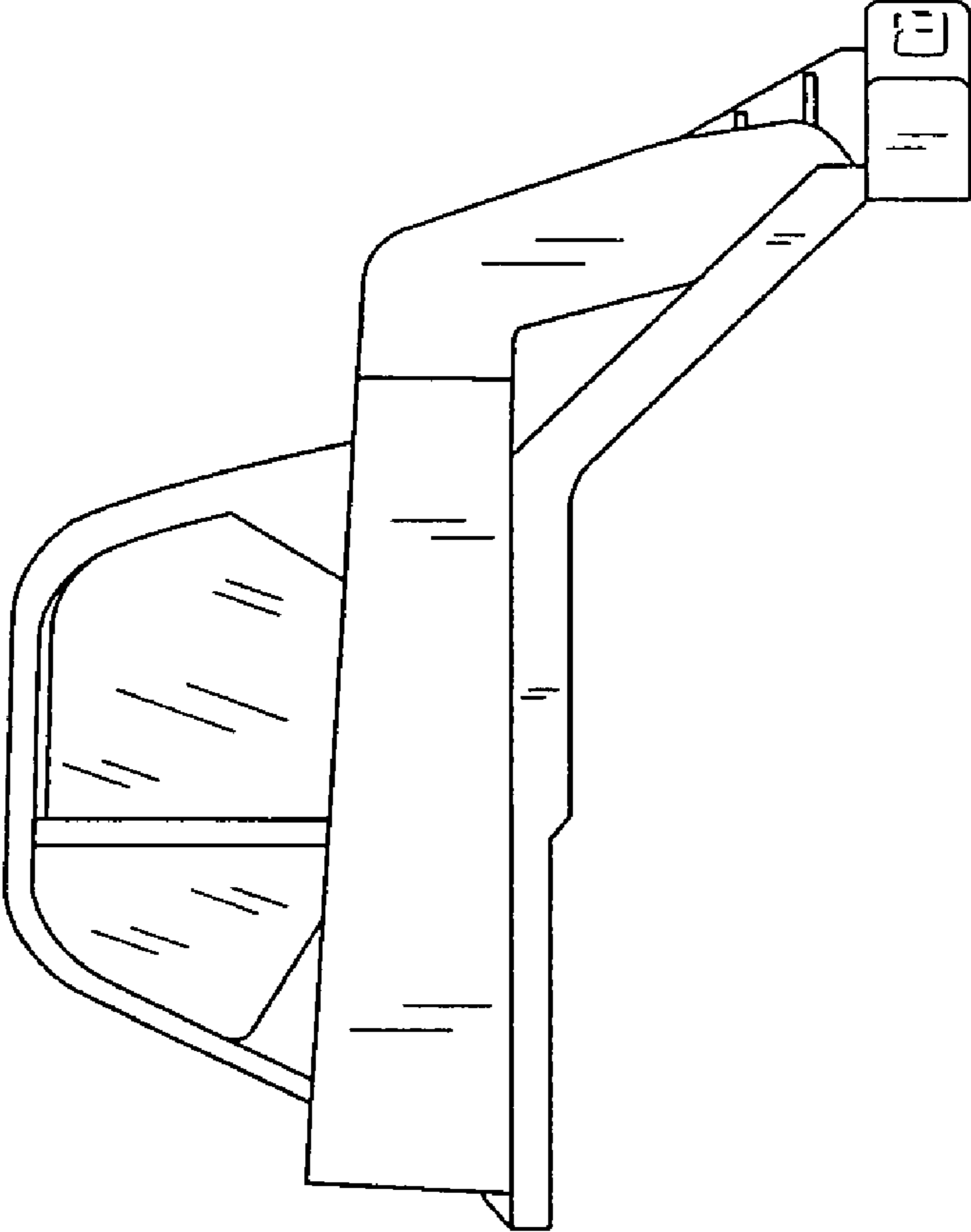


FIG. 2

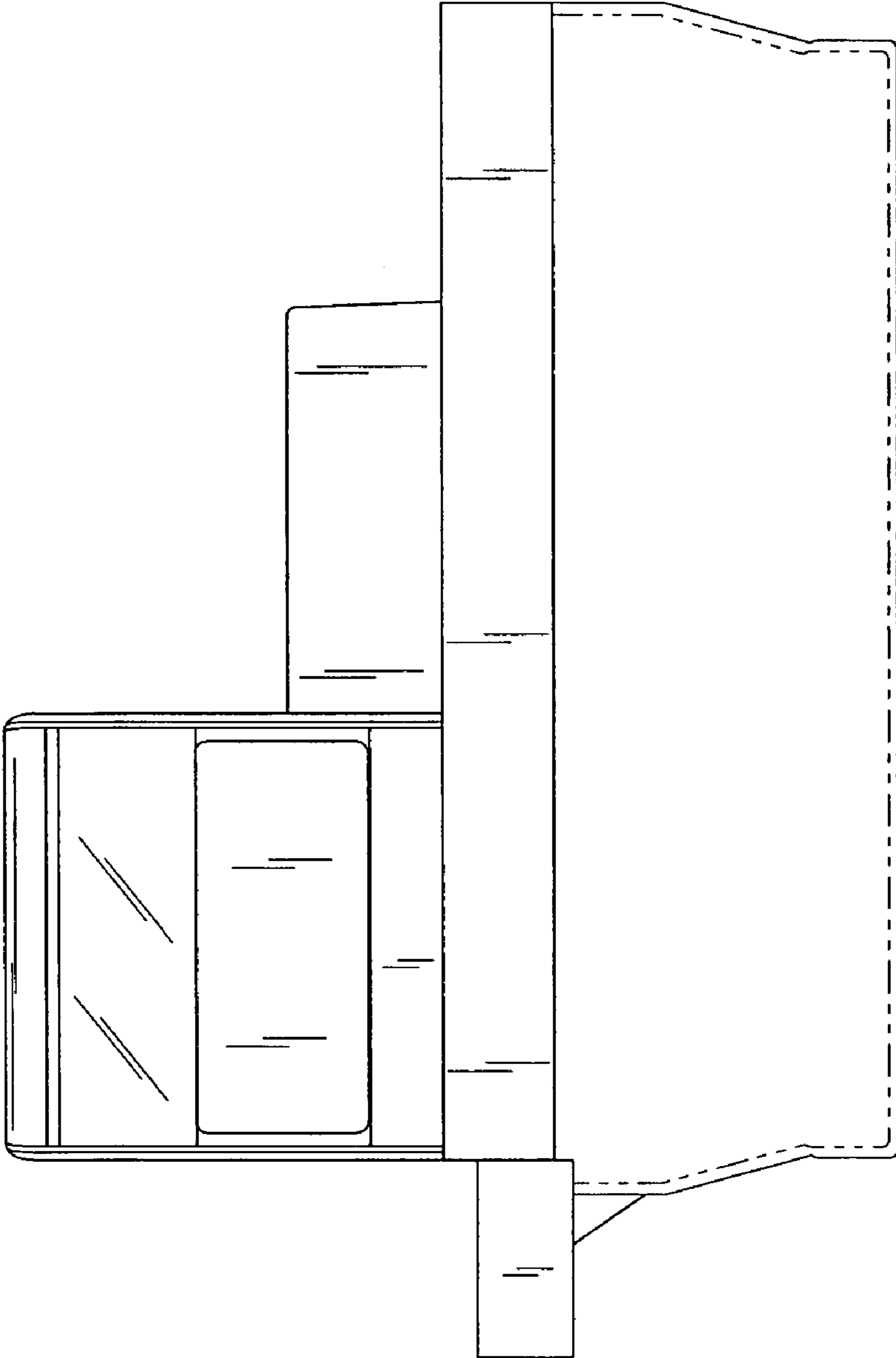


FIG. 3

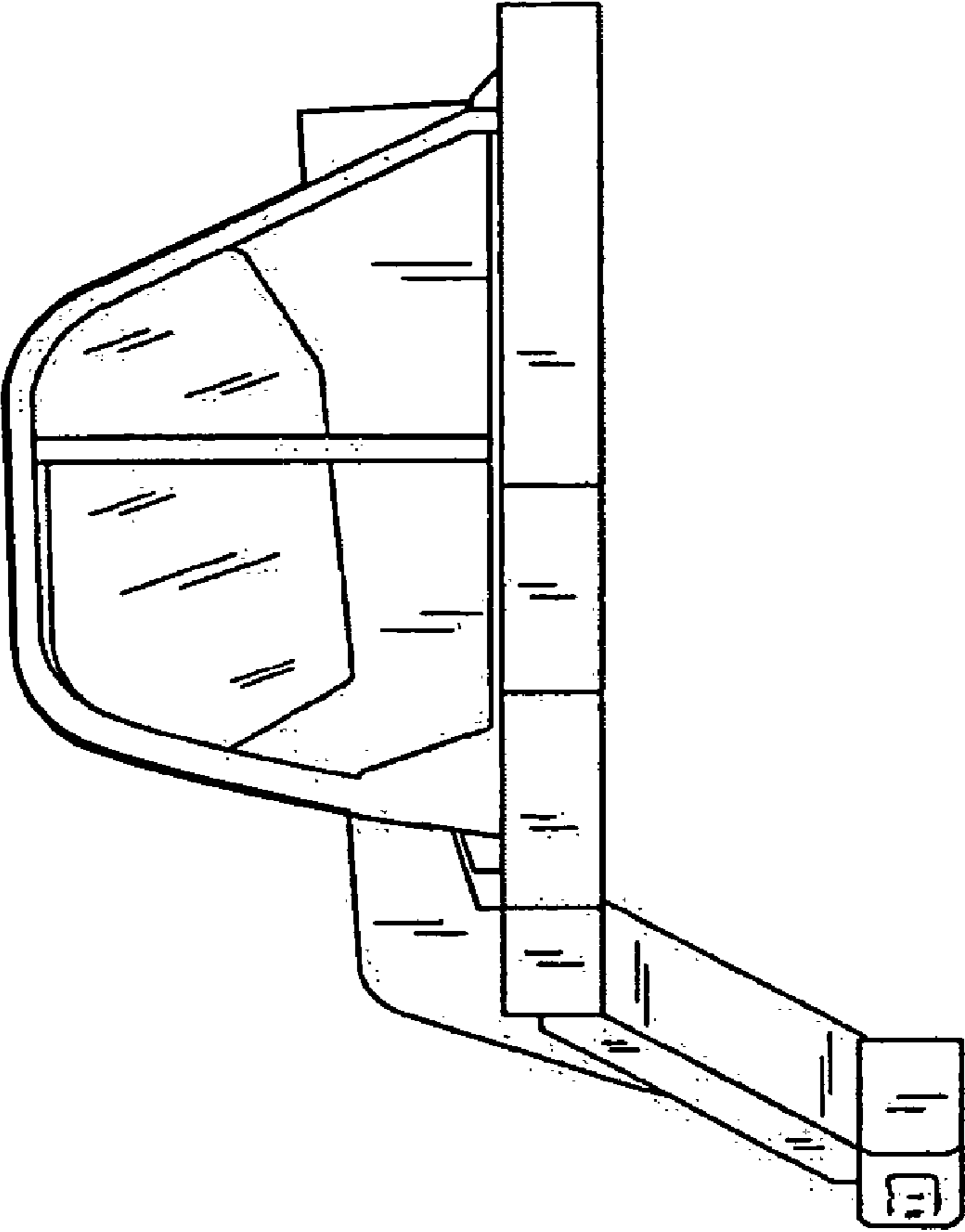


FIG. 4

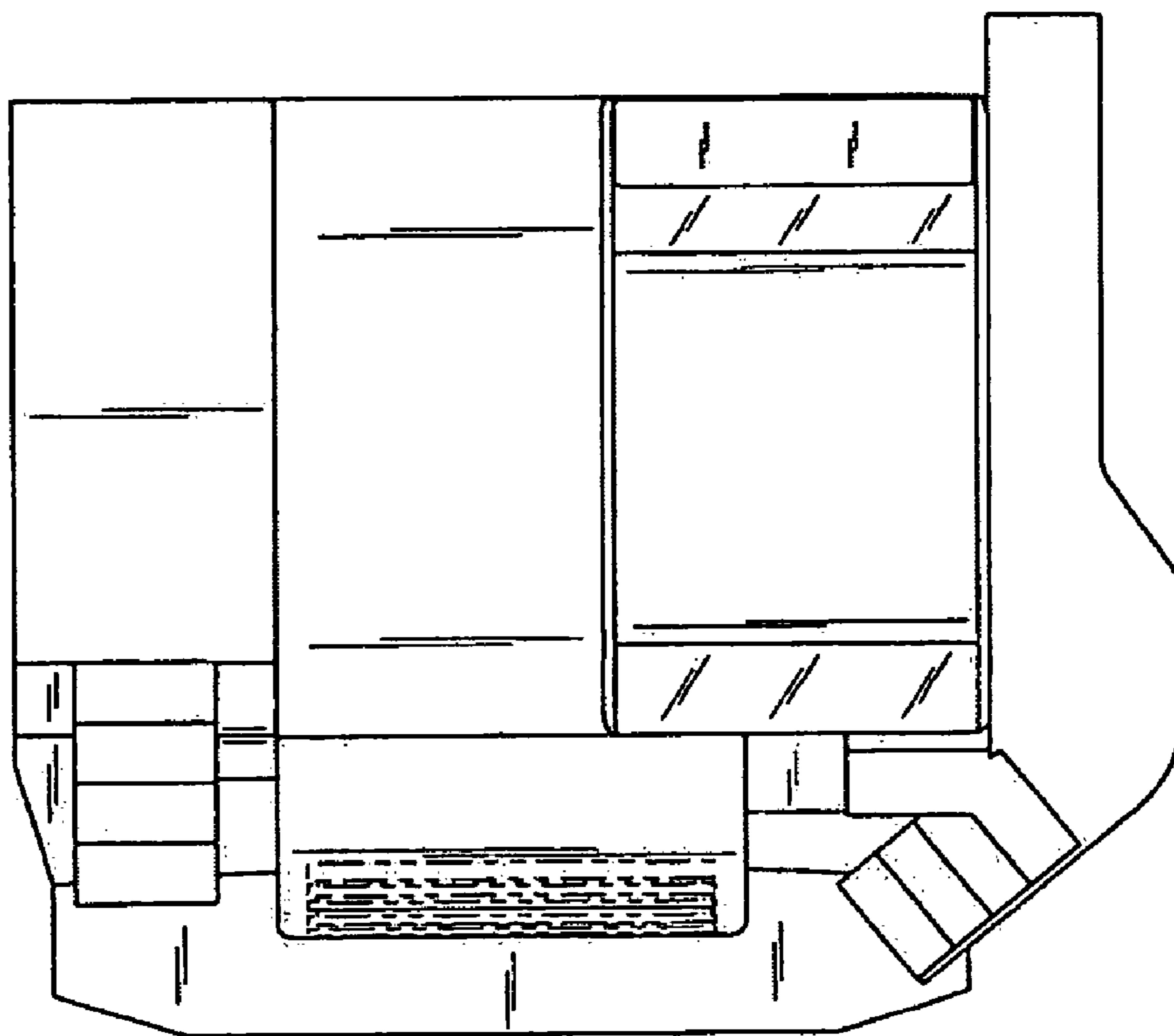


FIG. 5

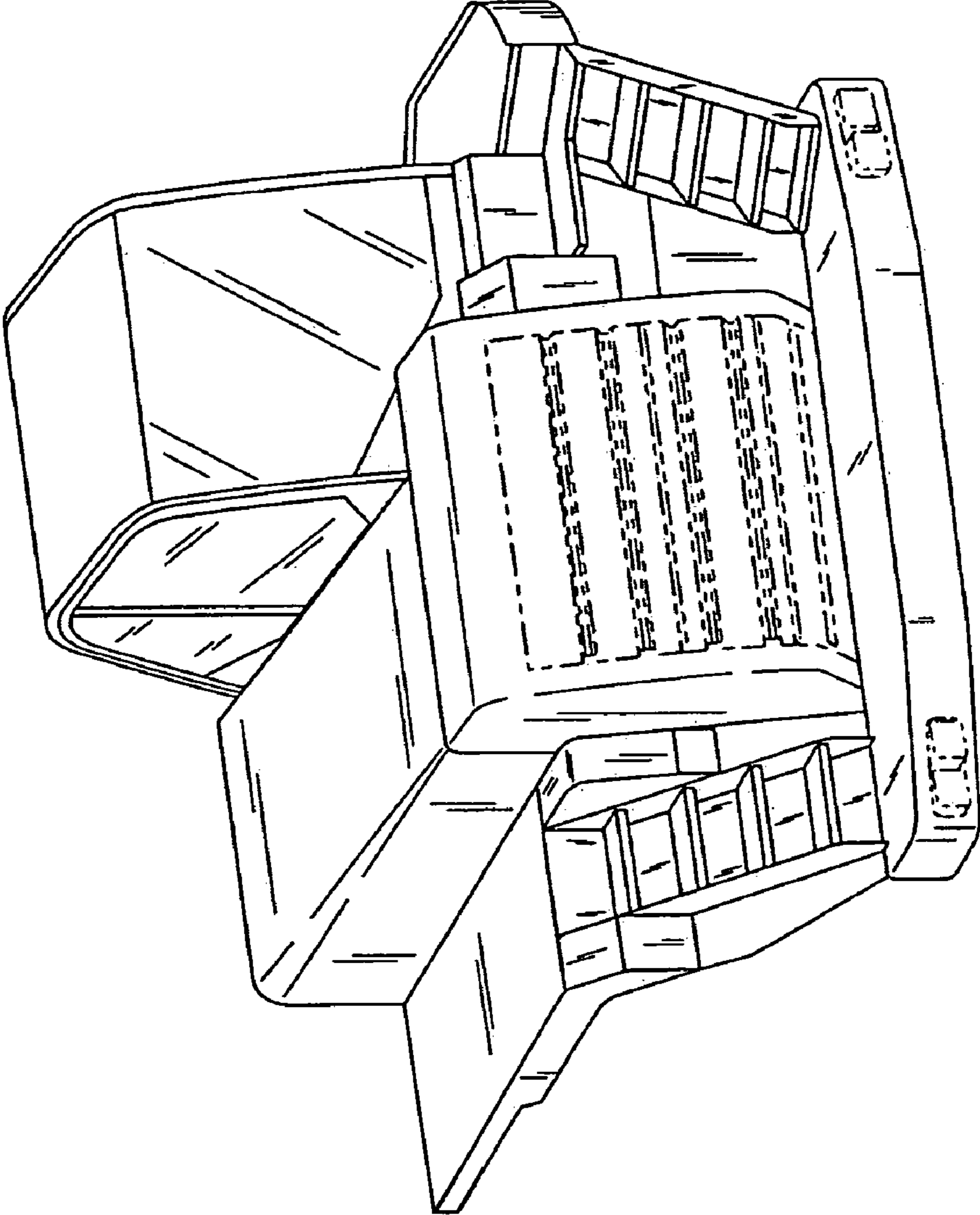


FIG. 6

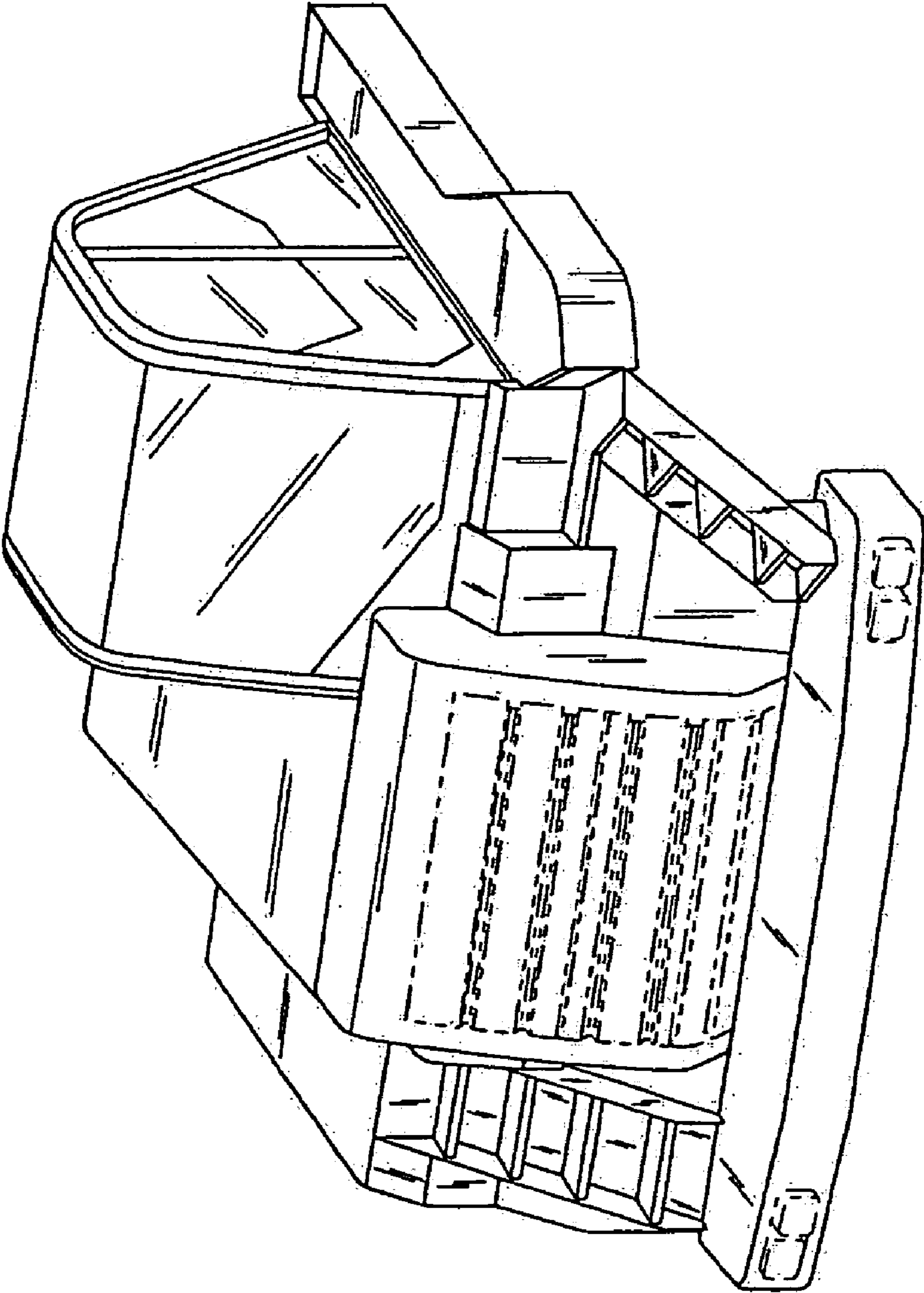


FIG. 7

FIG. 8

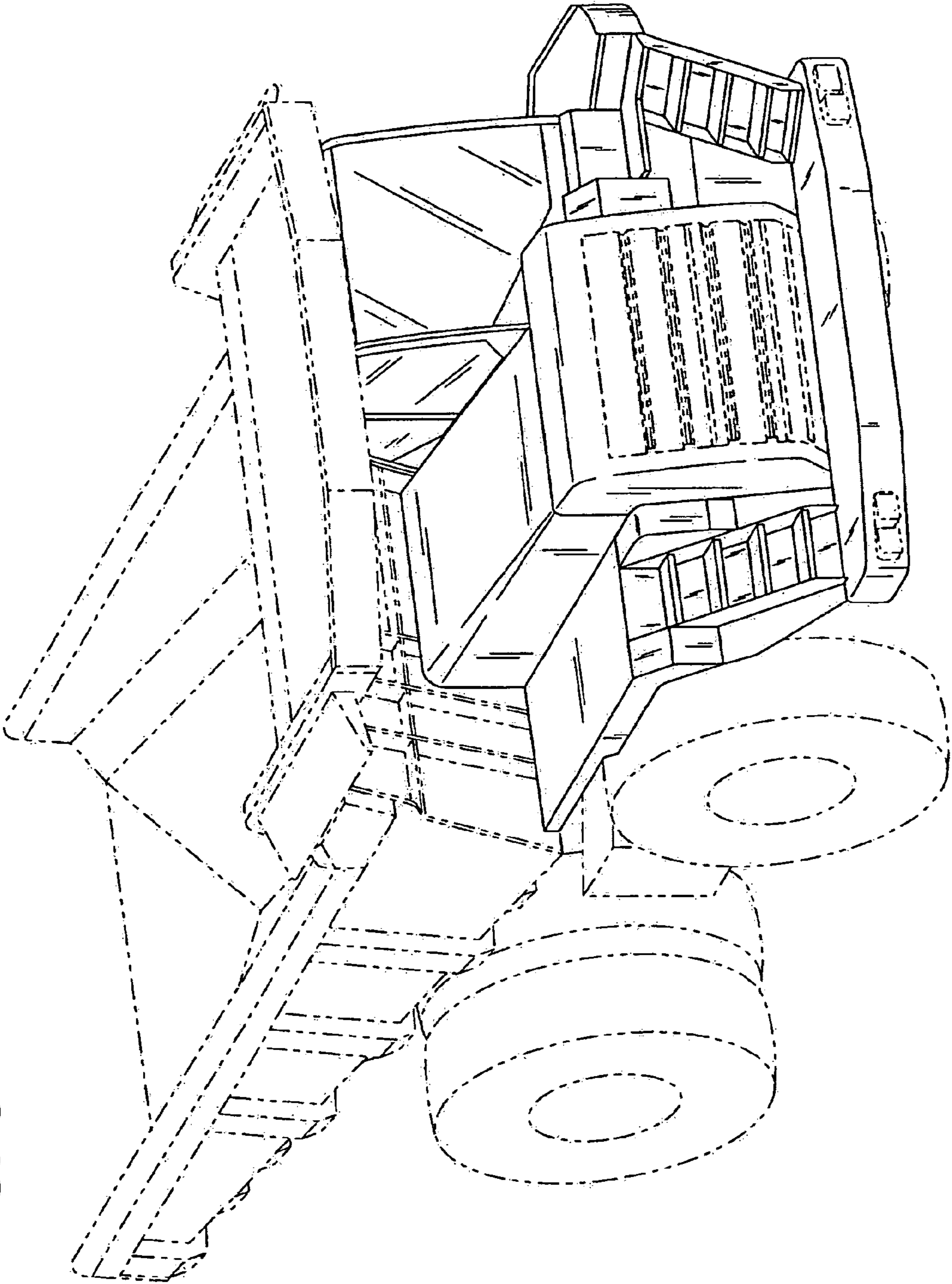
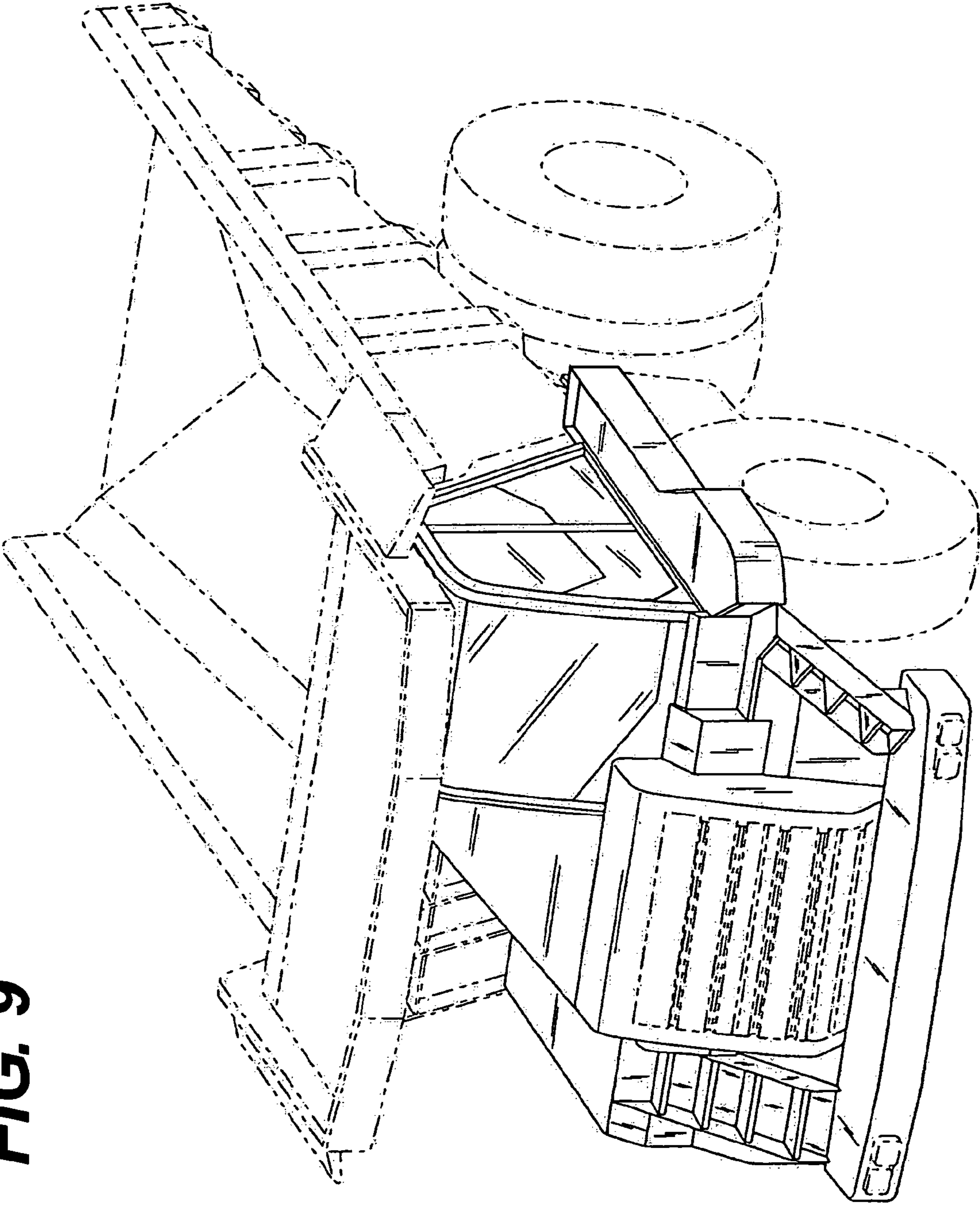


FIG. 9



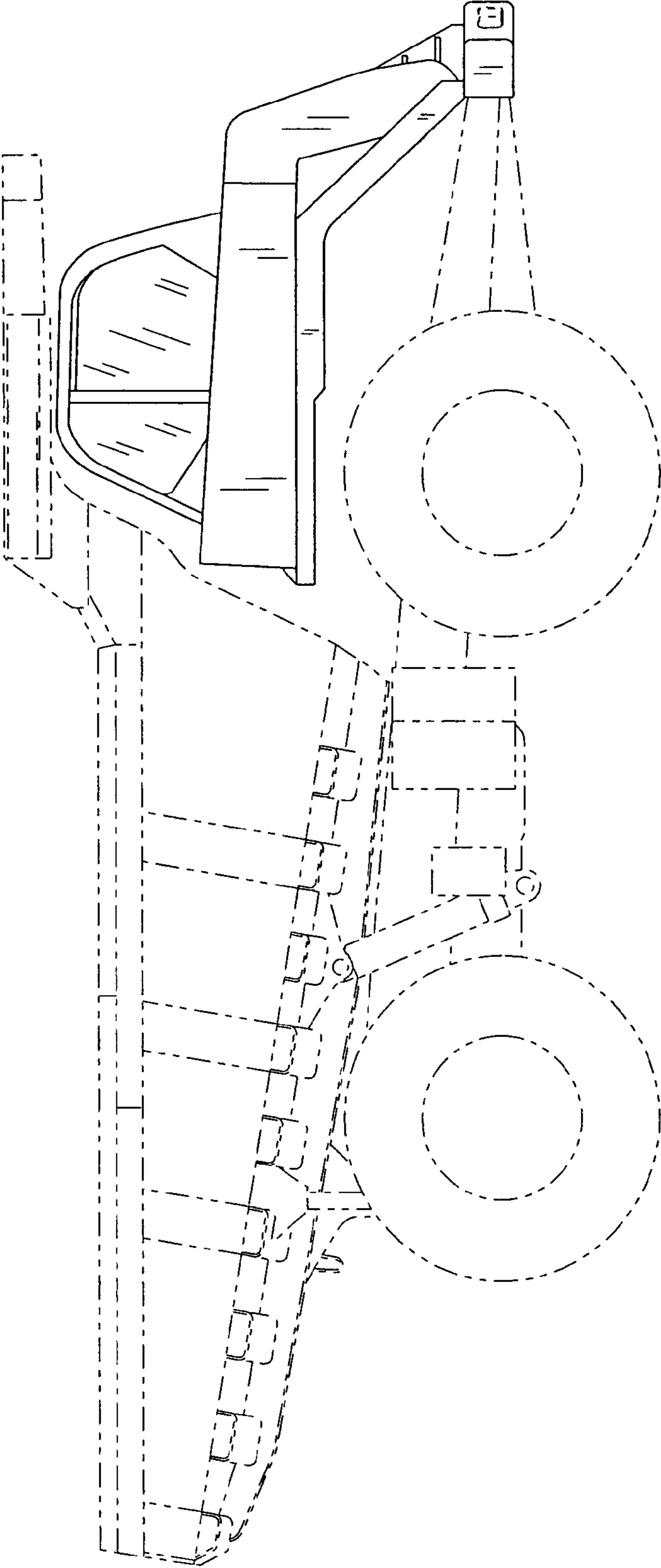


FIG. 10

FIG. 11

