

US00D594378S

(12) **United States Design Patent**
Cion

(10) **Patent No.:** **US D594,378 S**
(45) **Date of Patent:** **** Jun. 16, 2009**

(54) **JEWELRY**

(76) Inventor: **Stephanie L. Cion**, 7 E. 14th, New York, NY (US) 10003

(**) Term: **14 Years**

(21) Appl. No.: **29/306,265**

(22) Filed: **Apr. 4, 2008**

(51) **LOC (9) Cl.** **11-03**

(52) **U.S. Cl.** **D11/96; D11/82**

(58) **Field of Classification Search** D11/8,
D11/7, 9, 10, 11, 12, 14, 16, 17, 18, 21, 22,
D11/40, 43, 44, 45, 48, 49, 56, 62, 66, 75,
D11/77, 78, 79, 80, 81, 82, 83, 84, 85, 89,
D11/90, 95-105, 108, 109, 115, 116, 131,
D11/132, 133, 140, 141, 157, 159, 164, 184,
D11/121; 63/1.11, 1.12, 1.13, 1.14, 1.16,
63/1.18, 13, 14.1, 35, 38, 39, 3.1, 20, 23,
63/33, 40, 42

See application file for complete search history.

(56) **References Cited**

U.S. PATENT DOCUMENTS

2,601,312	A *	6/1952	McGrew	248/346.11
D205,901	S *	10/1966	Mothershead	D11/49
D442,111	S *	5/2001	Montmigny	D11/80
D463,994	S *	10/2002	Eisen	D11/96
2005/0193609	A1 *	9/2005	Schwartz	40/638
2006/0042139	A1 *	3/2006	Mendes	40/633

OTHER PUBLICATIONS

http://2.bp.blogspot.com/_Od3XwHrg6uc/SP3dwag5WKI/AAAAAAAAAUM/BlmRoWnEneM/s1600-h/brush.organic2-1.jpg, 1 page.*

Wellalarm facebook page and photo's, <http://www.facebook.com/pages/WELLalarm/8938258859>, 7 pages.*

<http://www.jmckinley.us/xi/silver/sterling-silver-jewelry/i/qc136.jpg>, 1 page.*

www.tiffany.com, 1 page.*

Simply Whispers Summer 2002 Catalog, p. 19, 1 page.*

Well alarm website homepage and store pages, <http://wellalarm.com>, 7 pages.*

MedicAlert, webpage retrieved on Jul. 8, 2008 from <http://www.medicalert.org/home/Homegradient.aspx>.

Lauren's Hope, webpage retrieved on Jul. 8, 2008 from <http://www.laurenshope.com/>.

* cited by examiner

Primary Examiner—T. Chase Nelson

Assistant Examiner—Ania K Dworzecka

(74) *Attorney, Agent, or Firm*—Occhiuti Rohlicek & Tsao LLP

(57) **CLAIM**

The ornamental design for jewelry, as shown.

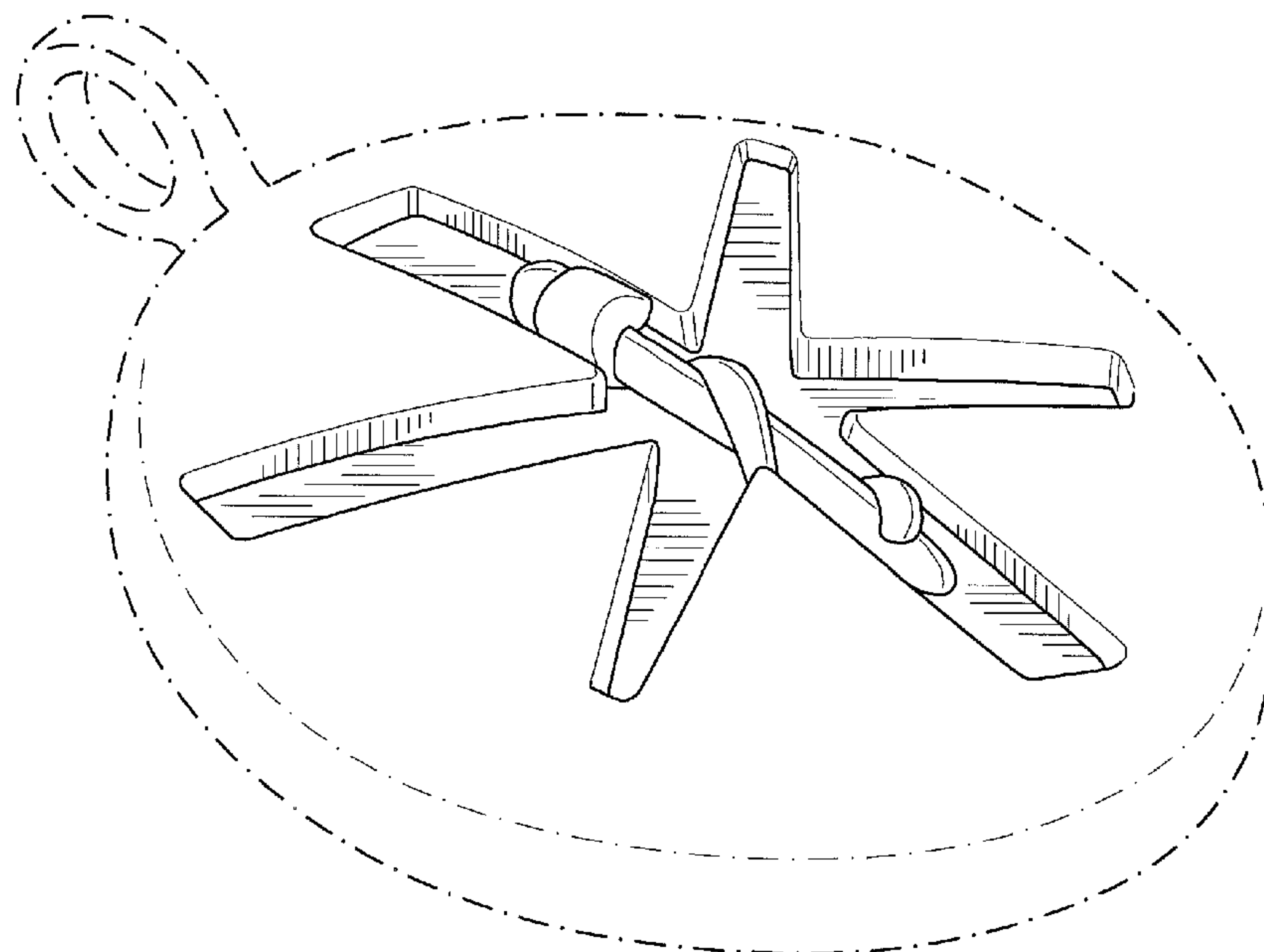
DESCRIPTION

FIG. 1 is a perspective view of jewelry showing my new design; and,

FIG. 2 is a front elevation view thereof.

The broken lines depicting portions of the jewelry form no part of the claimed design. The rear of the jewelry is unornamented and also forms no part of the claimed design.

1 Claim, 2 Drawing Sheets



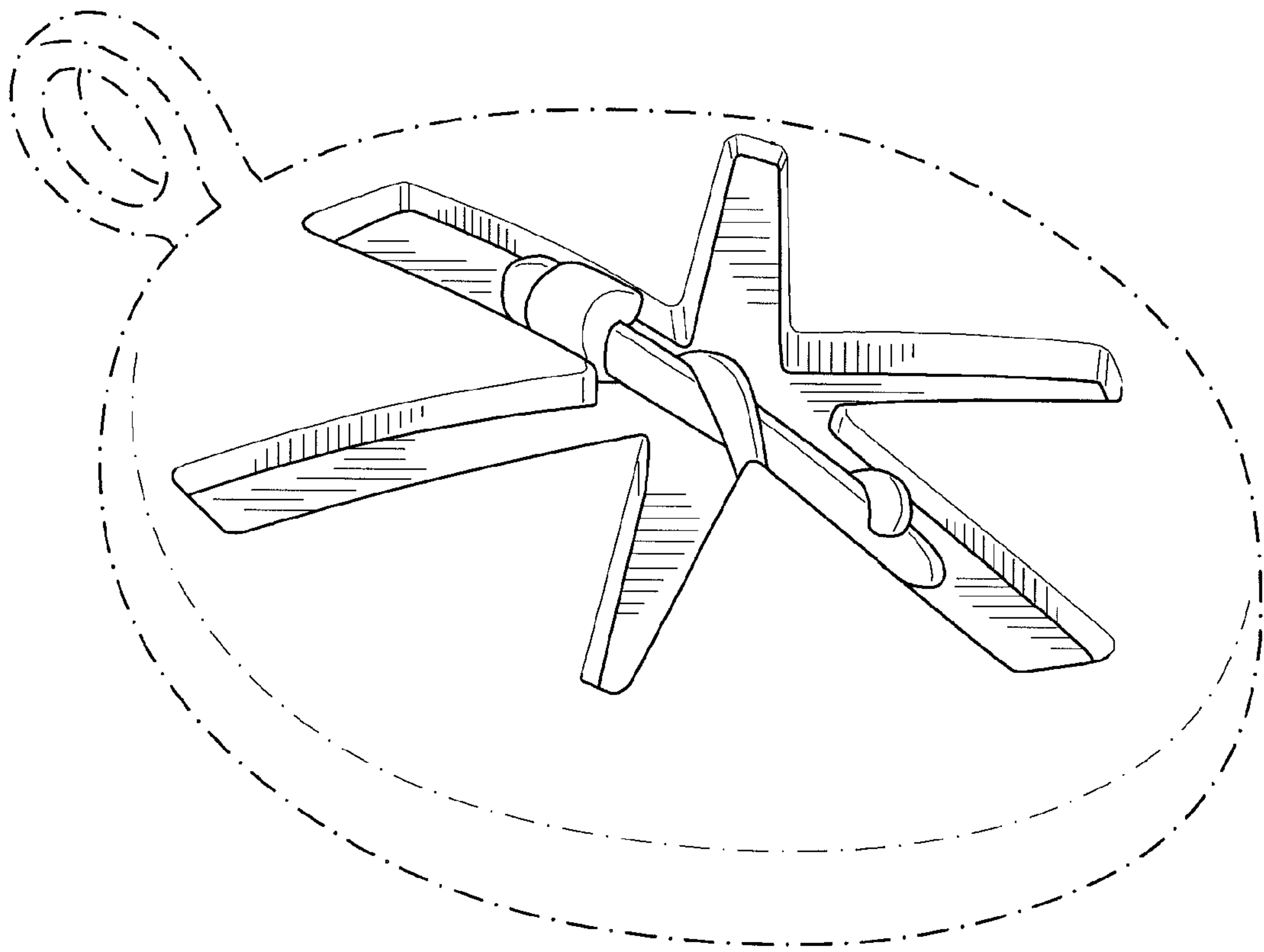


FIG. 1

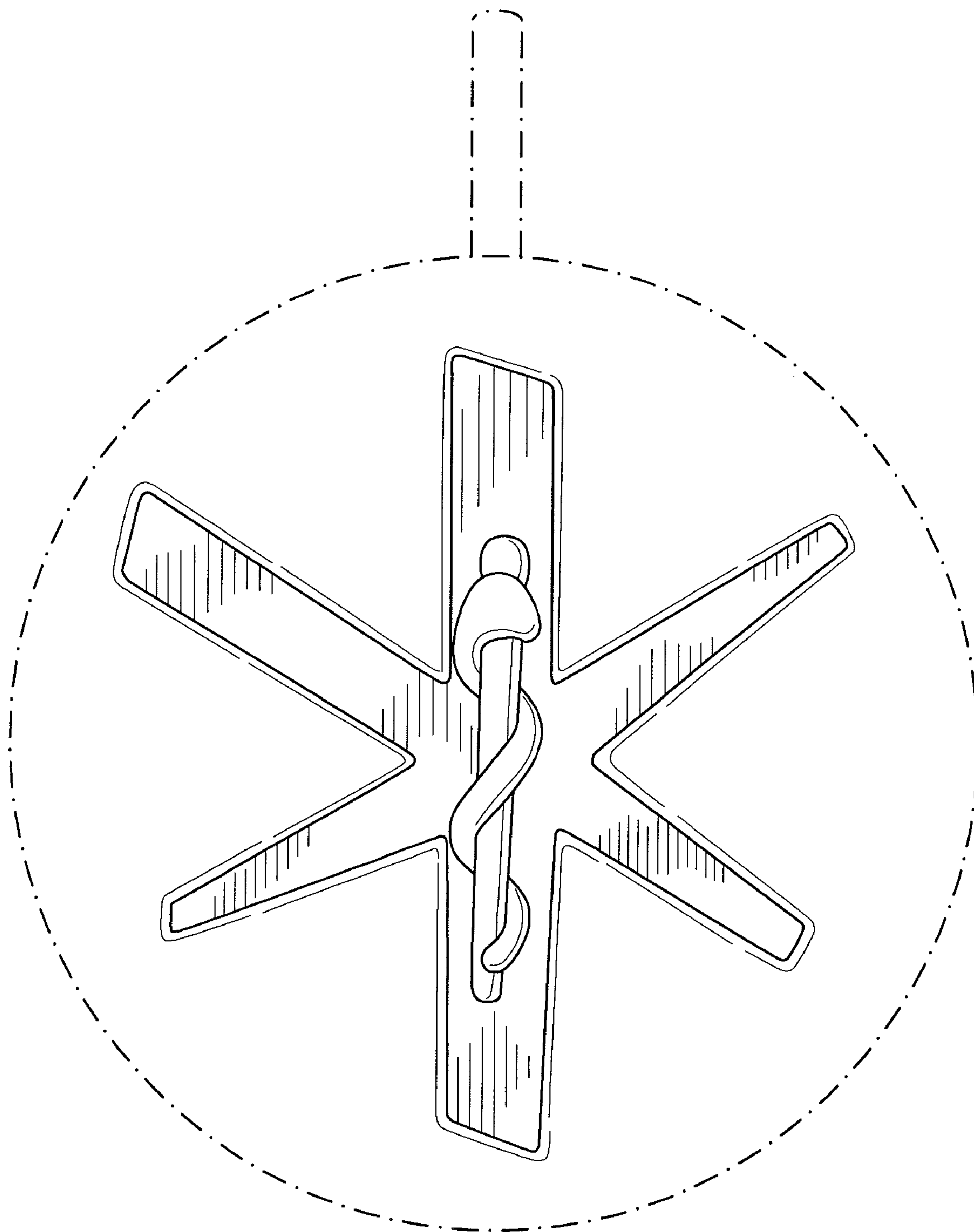


FIG. 2