



US00D594363S

(12) **United States Design Patent**
Vantine

(10) **Patent No.:** **US D594,363 S**

(45) **Date of Patent:** **** Jun. 16, 2009**

(54) **BLADE SCALE**

(76) Inventor: **Lee Wayne Vantine**, 1836 Ashley River Rd., Suite 320, Charleston, SC (US) 29407

(**) Term: **14 Years**

(21) Appl. No.: **29/266,683**

(22) Filed: **Sep. 25, 2006**

(51) **LOC (9) Cl.** **10-04**

(52) **U.S. Cl.** **D10/91**

(58) **Field of Classification Search** D10/87-95;
177/4, 25.12-25.16, 177, 199, 210 R, 238-245,
177/DIG. 3, 262, 210 C, 30, 126-127; 324/692,
324/512, 515, 806; 600/506, 547
See application file for complete search history.

(56) **References Cited**

U.S. PATENT DOCUMENTS

D270,717 S	9/1983	Wells	
D281,235 S	11/1985	Busse	
D448,316 S	9/2001	Kesselman	
D505,348 S	5/2005	Lee	
D506,941 S *	7/2005	Leisinger et al. D10/91
D520,890 S	5/2006	Matsumoto et al.	
D521,888 S	5/2006	Tse	
D524,671 S	7/2006	Huang	
D525,891 S	8/2006	Guan	

* cited by examiner

Primary Examiner—Antoine D. Davis

(74) *Attorney, Agent, or Firm*—Patel & Alunit, P.C.; Edwin Tarver; Ty Ung

(57) **CLAIM**

The ornamental design for a blade scale, as shown and described.

DESCRIPTION

FIG. 1 is a top left perspective view of the blade scale according to the new design.

FIG. 2 is a top right perspective view thereof.

FIG. 3 is a bottom perspective view thereof.

FIG. 4 is a top plan view thereof.

FIG. 5 is a bottom plan view thereof.

FIG. 6 is a left side view thereof.

FIG. 7 is a right side view thereof.

FIG. 8 is a front elevation view thereof.

FIG. 9 is a rear elevation view thereof.

FIG. 10 is a top right perspective view thereof, with the display/controls portion in extended condition.

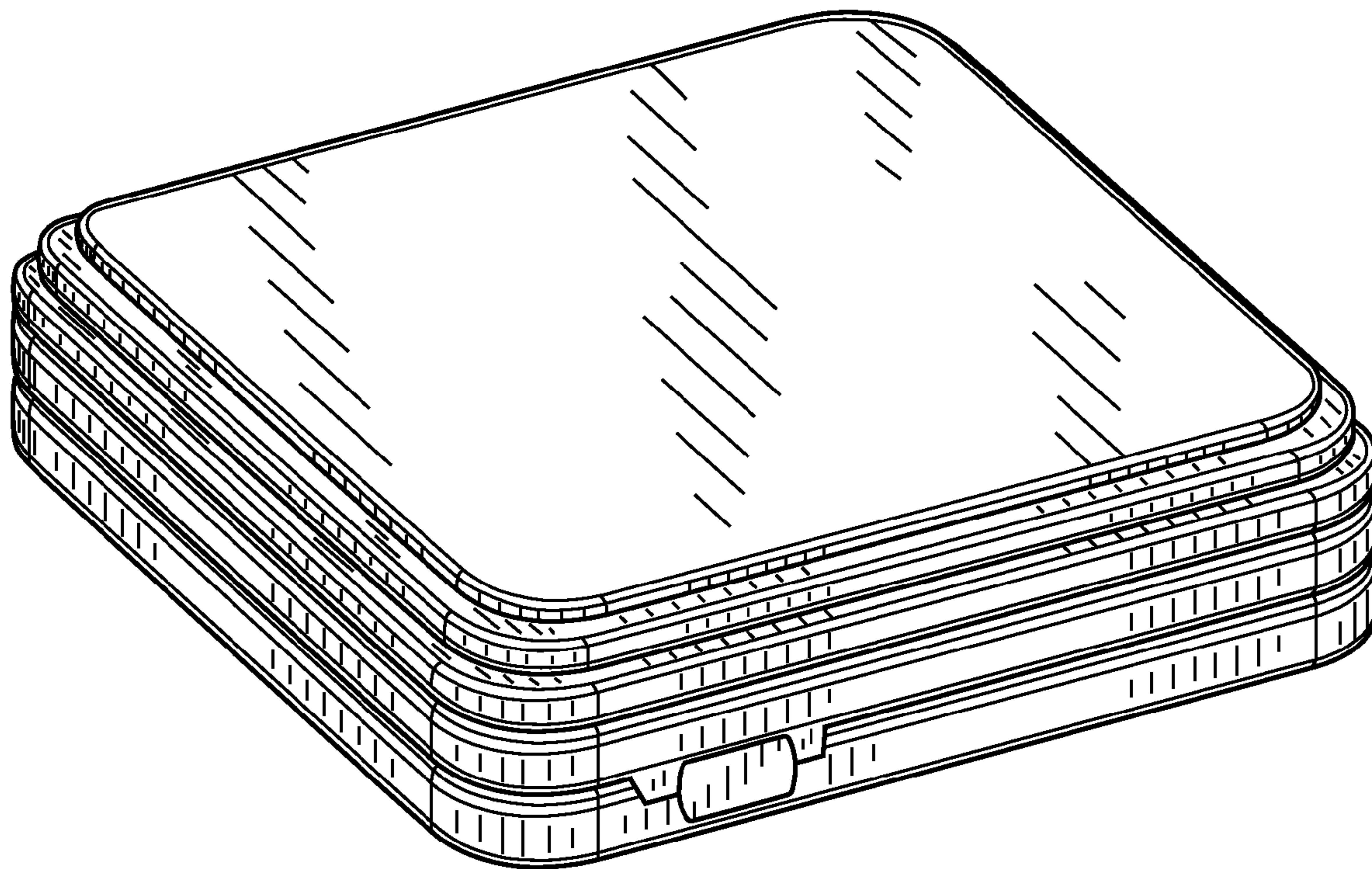
FIG. 11 is a bottom perspective view of the view shown in FIG. 10.

FIG. 12 is a top plan view of the view shown in FIG. 10; and,

FIG. 13 is a bottom plan view of the view shown in FIG. 10.

The broken lines shown in FIGS. 3, 5, 11 & 13 are for illustrative purposes only and form no part of the claimed design.

1 Claim, 13 Drawing Sheets



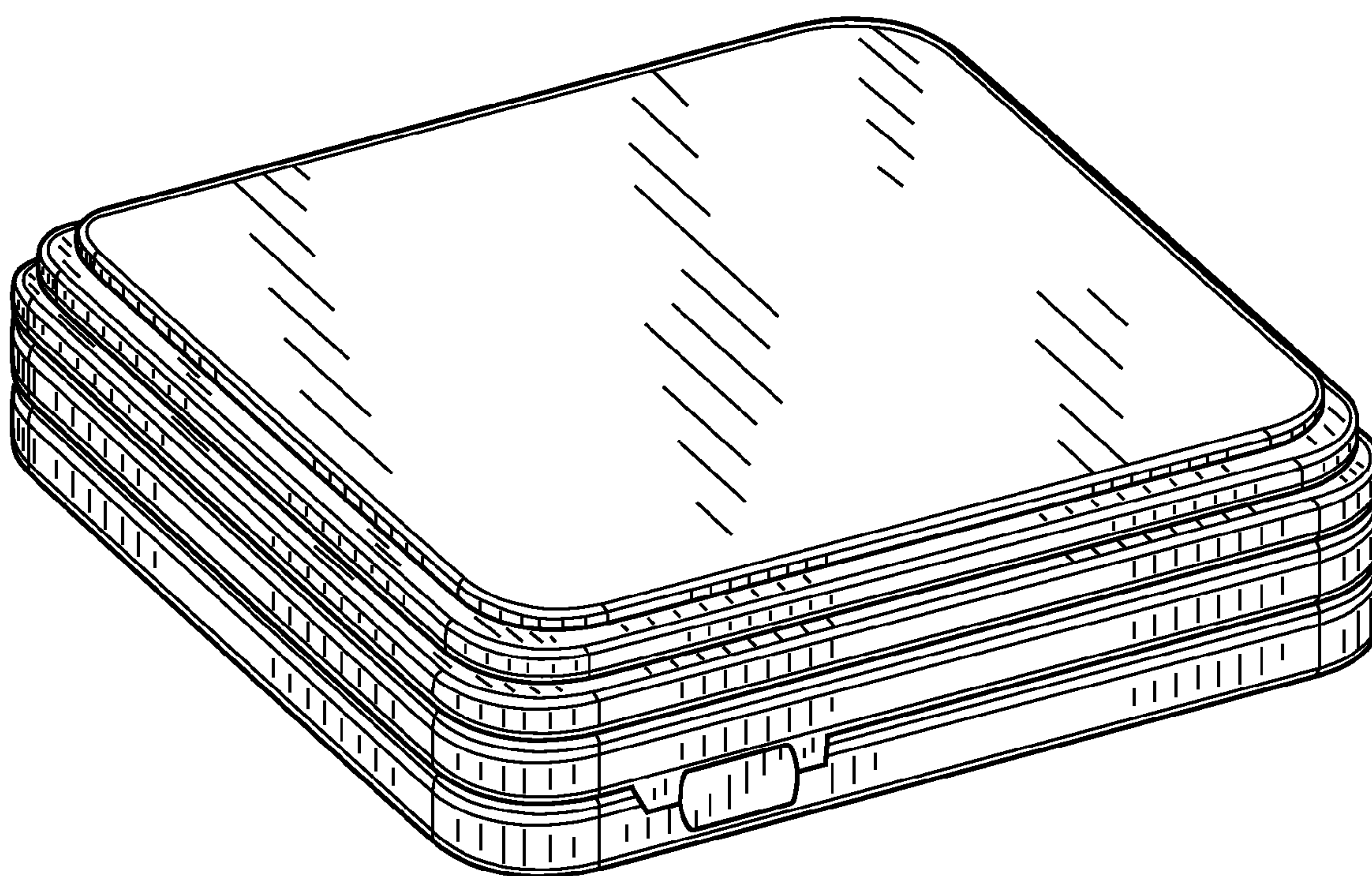


FIG. 1

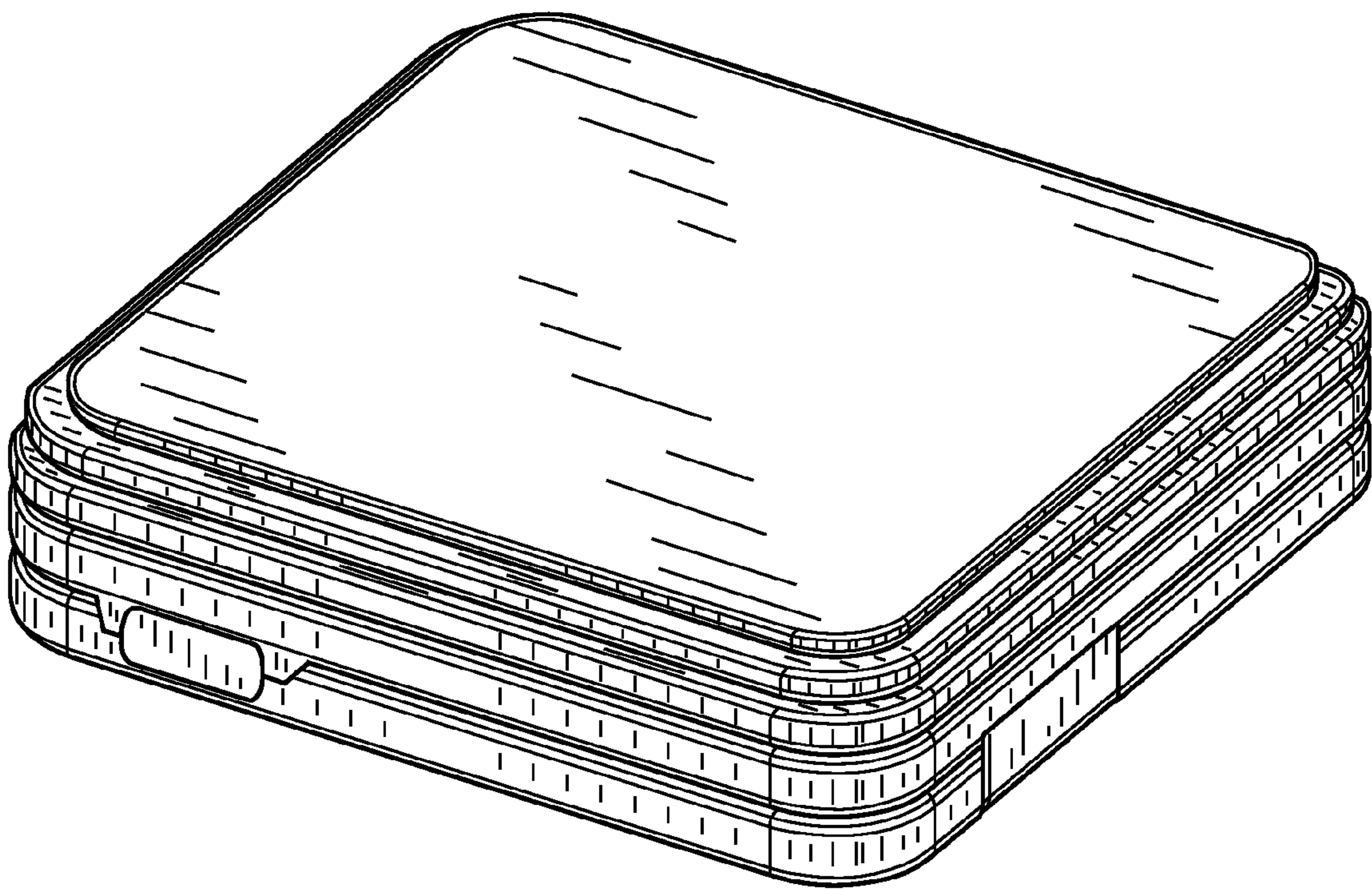


FIG. 2

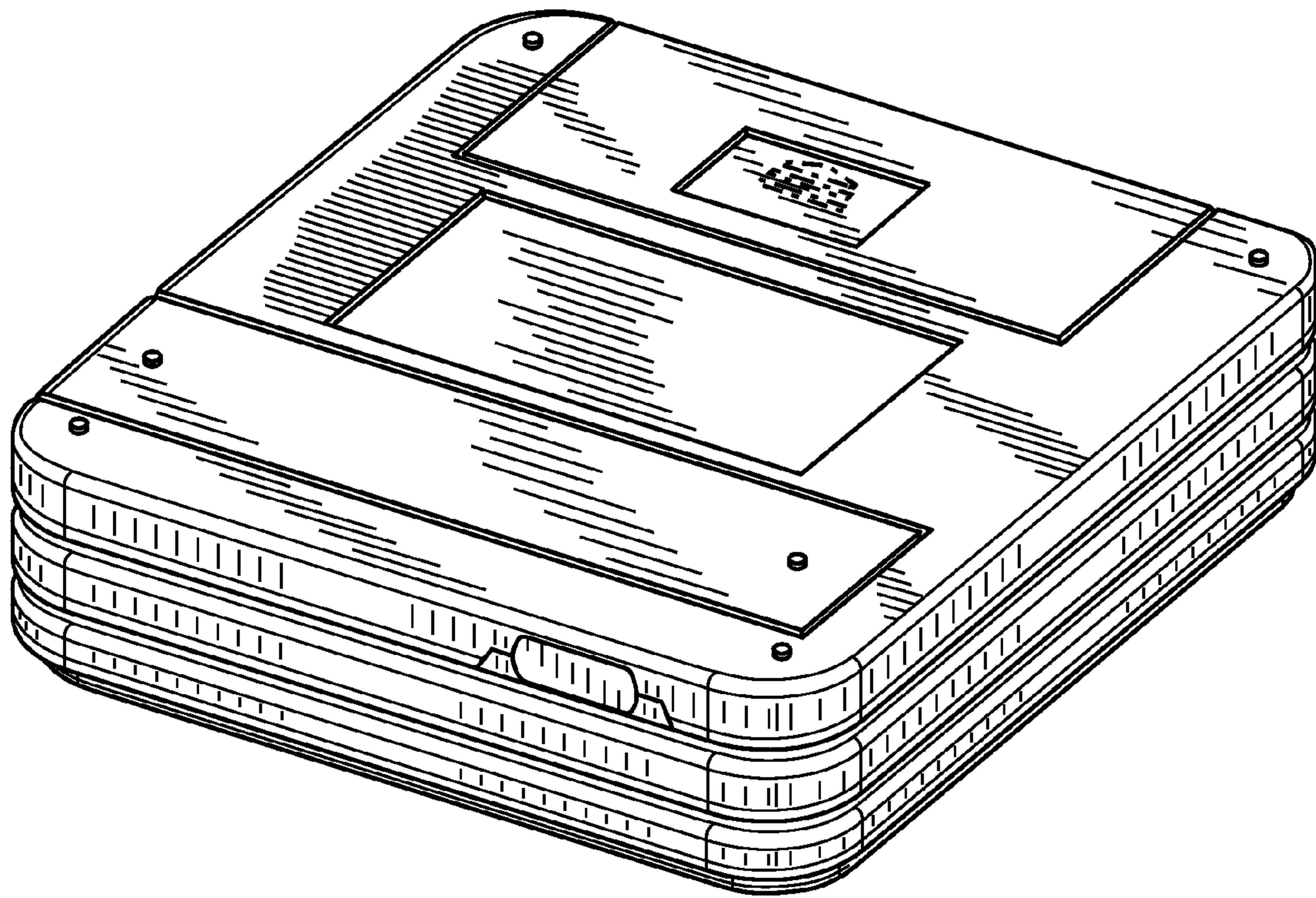


FIG. 3

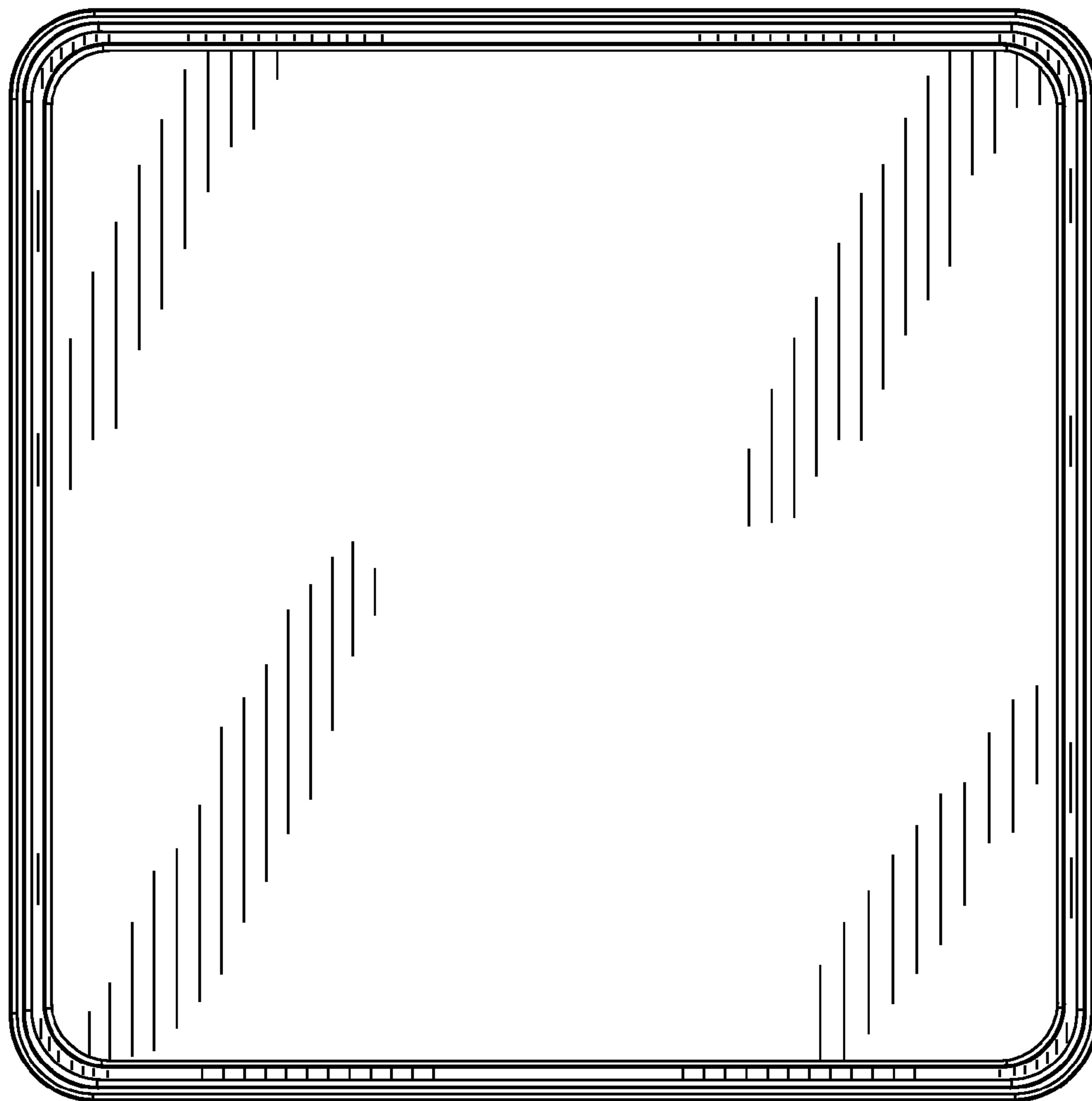


FIG. 4

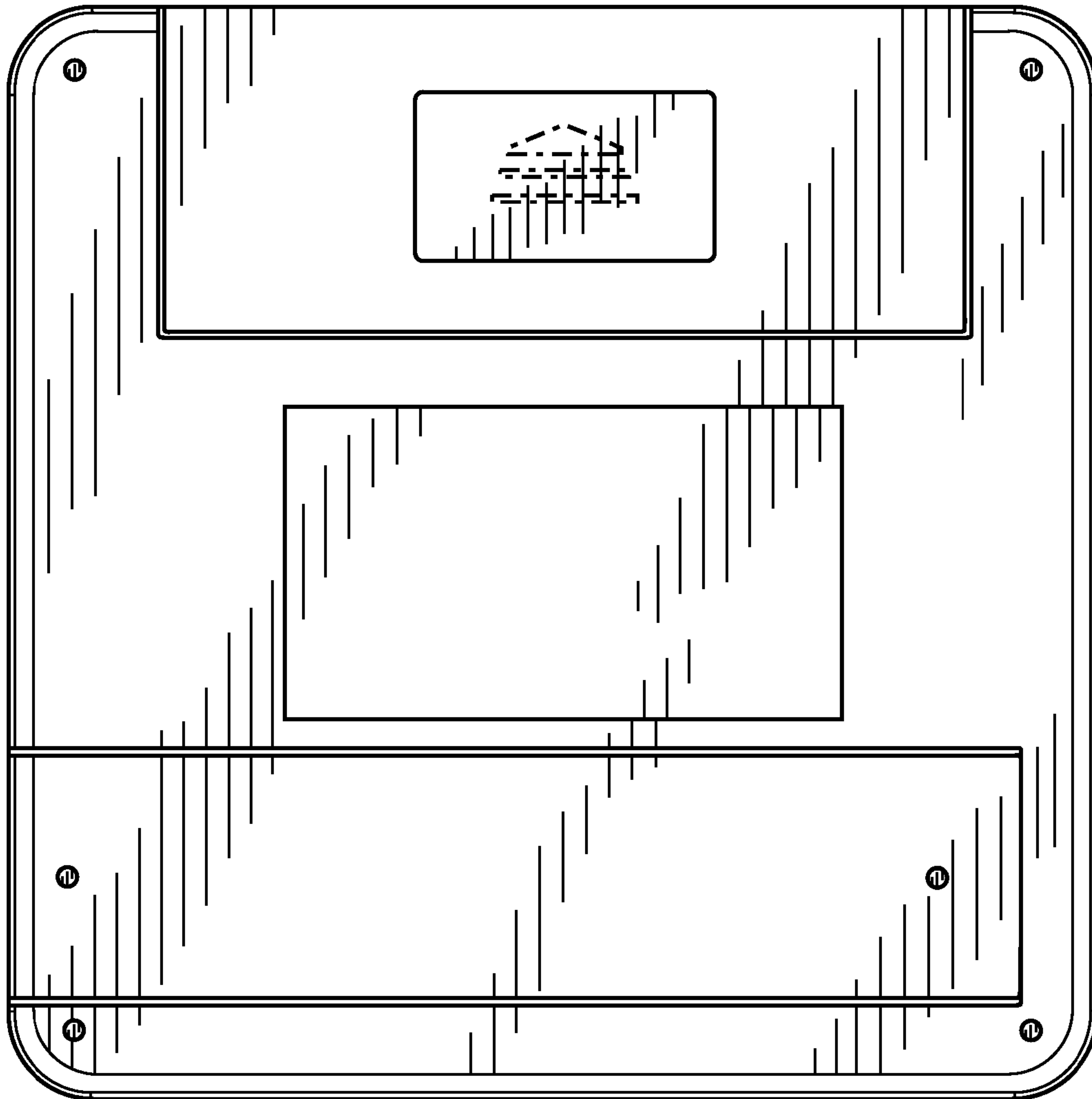


FIG. 5

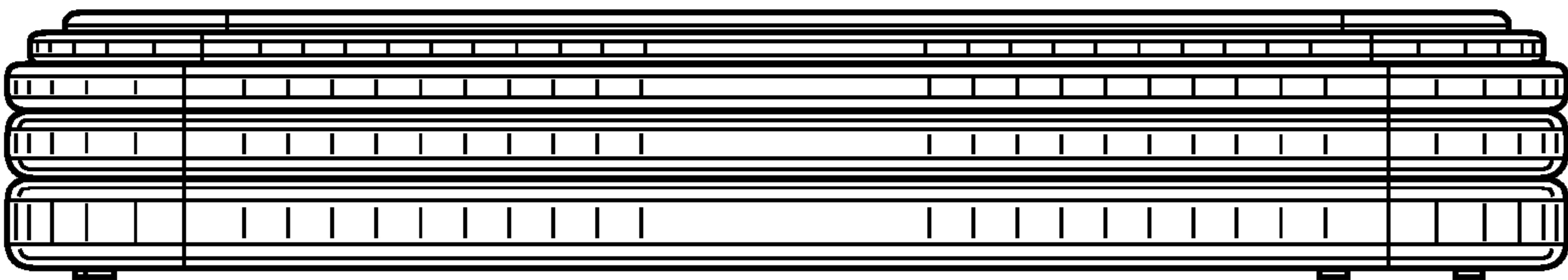


FIG. 6



FIG. 7

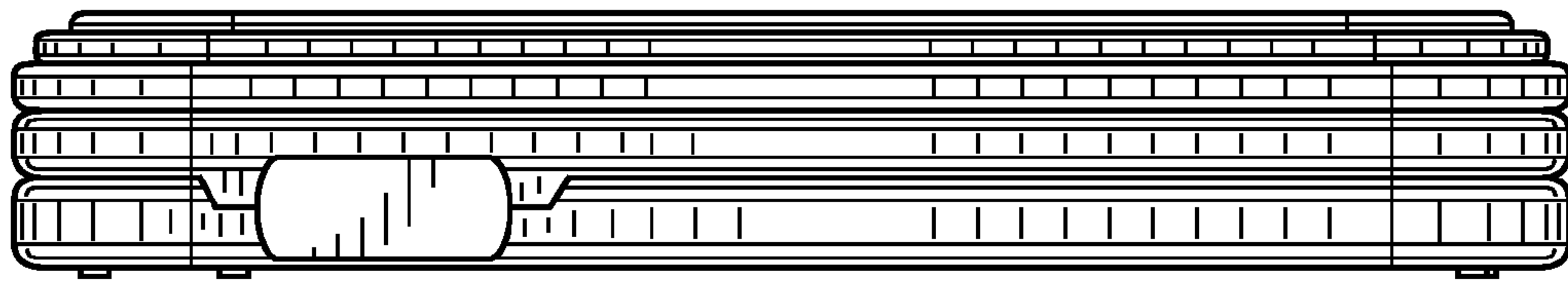


FIG. 8

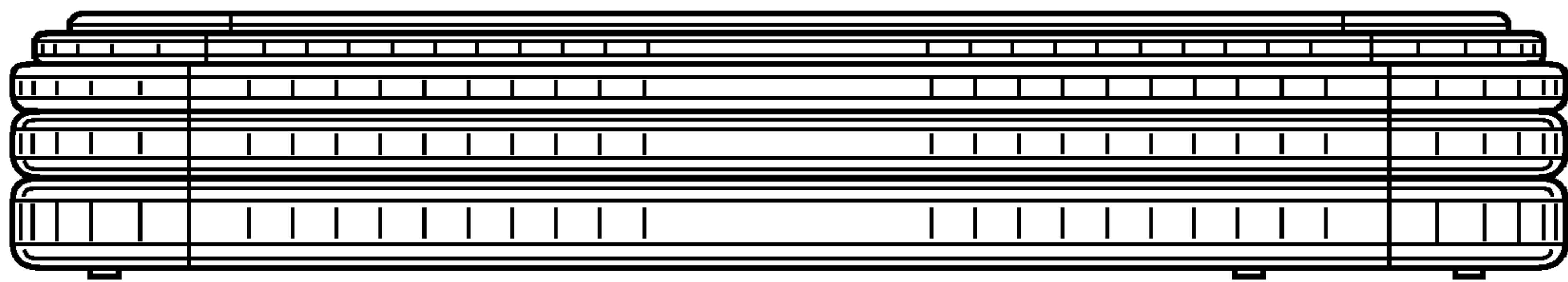


FIG. 9

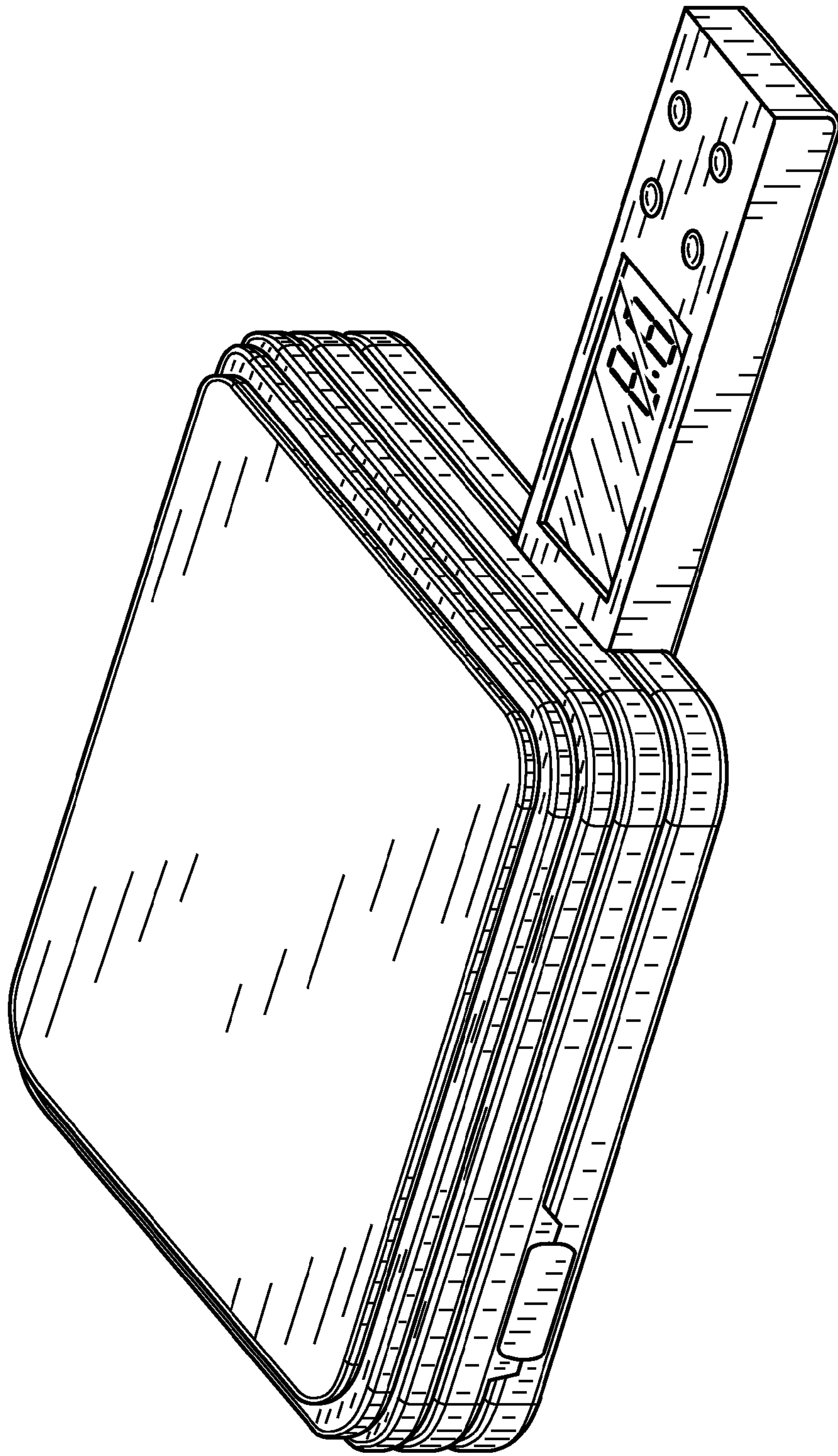


FIG. 10

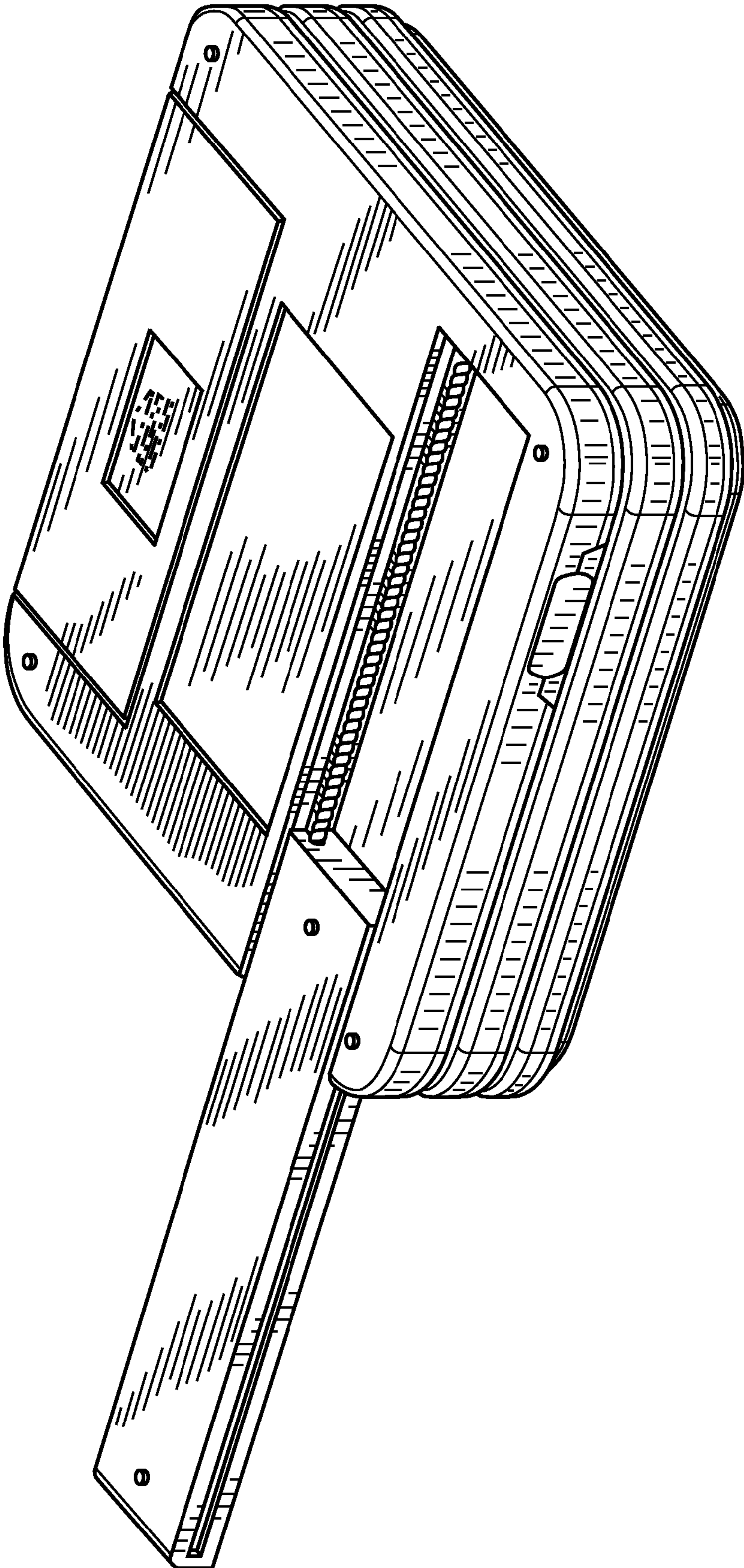


FIG. 11

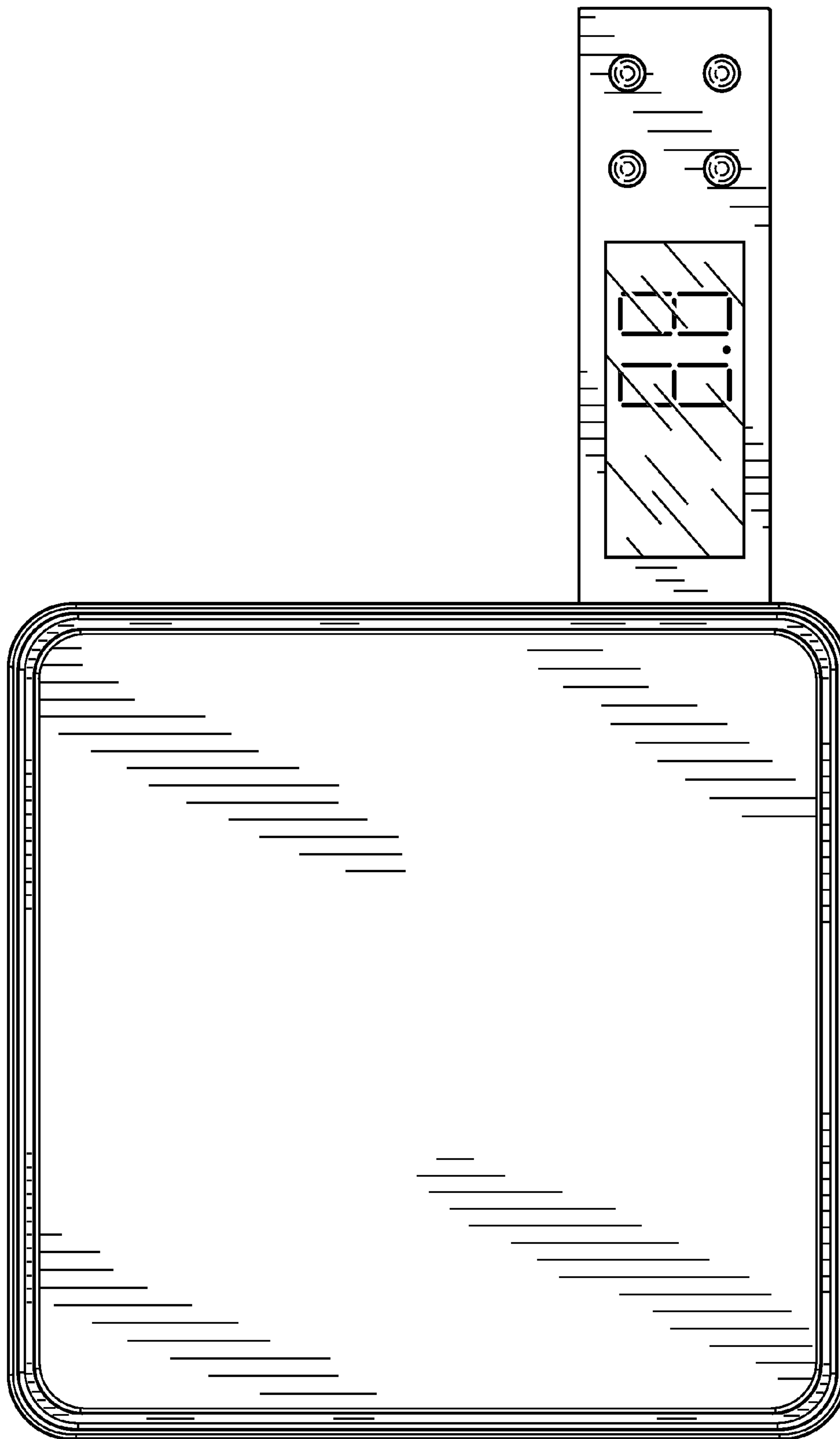


FIG. 12

