



US00D594362S

(12) **United States Design Patent**
Miller

(10) **Patent No.:** **US D594,362 S**
(45) **Date of Patent:** **** Jun. 16, 2009**

(54) **DISPLAY HOUSING FOR VIDEO INSPECTION DEVICE**

(75) Inventor: **Jeffrey J. Miller**, Northville, MI (US)

(73) Assignee: **Perceptron, Inc.**, Plymouth, MI (US)

(**) Term: **14 Years**

(21) Appl. No.: **29/322,840**

(22) Filed: **Aug. 13, 2008**

(51) **LOC (9) Cl.** **10-04**

(52) **U.S. Cl.** **D10/78; D10/104**

(58) **Field of Classification Search** **D10/78, D10/104; D16/202; 250/208.1, 330, 336.1, 250/338.1, 339.03, 395; 348/65-68, 77, 348/141; 362/1, 109, 294, 373, 399; 713/176**
See application file for complete search history.

(56) **References Cited**

U.S. PATENT DOCUMENTS

- 5,373,317 A * 12/1994 Salvati et al. 348/65
- 7,157,705 B2 * 1/2007 Hamrelius et al. 250/330
- D567,123 S * 4/2008 Babb et al. D10/78
- 7,484,885 B1 * 2/2009 Carlson et al. 250/338.1
- 2007/0187574 A1 * 8/2007 Lia 250/208.1

OTHER PUBLICATIONS

Milwaukee Digital Inspection Camera, Operator's Manual, product commercially available Jun. 2008.

Video Stik Inspection Scope, Operator's Manual, product commercially available Mar. 2008.

* cited by examiner

Primary Examiner—Antoine D Davis

(74) *Attorney, Agent, or Firm*—Harness, Dickey & Pierce, P.L.C.

(57) **CLAIM**

The ornamental design for a display housing for a video inspection devices, as shown and described.

DESCRIPTION

FIG. 1 is a perspective view of an exemplary remote inspection device which embodies a display housing in accordance with the present design;

FIG. 2 is a perspective view of a first embodiment of the display housing;

FIG. 3 is a front view of the first embodiment of the display housing;

FIG. 4 is a back view of the first embodiment of the display housing;

FIG. 5 is a side view of the first embodiment of the display housing, the other side view being a mirror image thereof;

FIG. 6 is a top view of the first embodiment of the display housing;

FIG. 7 is a bottom view of the first embodiment of the display housing.

FIG. 8 is a perspective view of a second embodiment of the display housing;

FIG. 9 is a front view of the second embodiment of the display housing;

FIG. 10 is a back view of the second embodiment of the display housing;

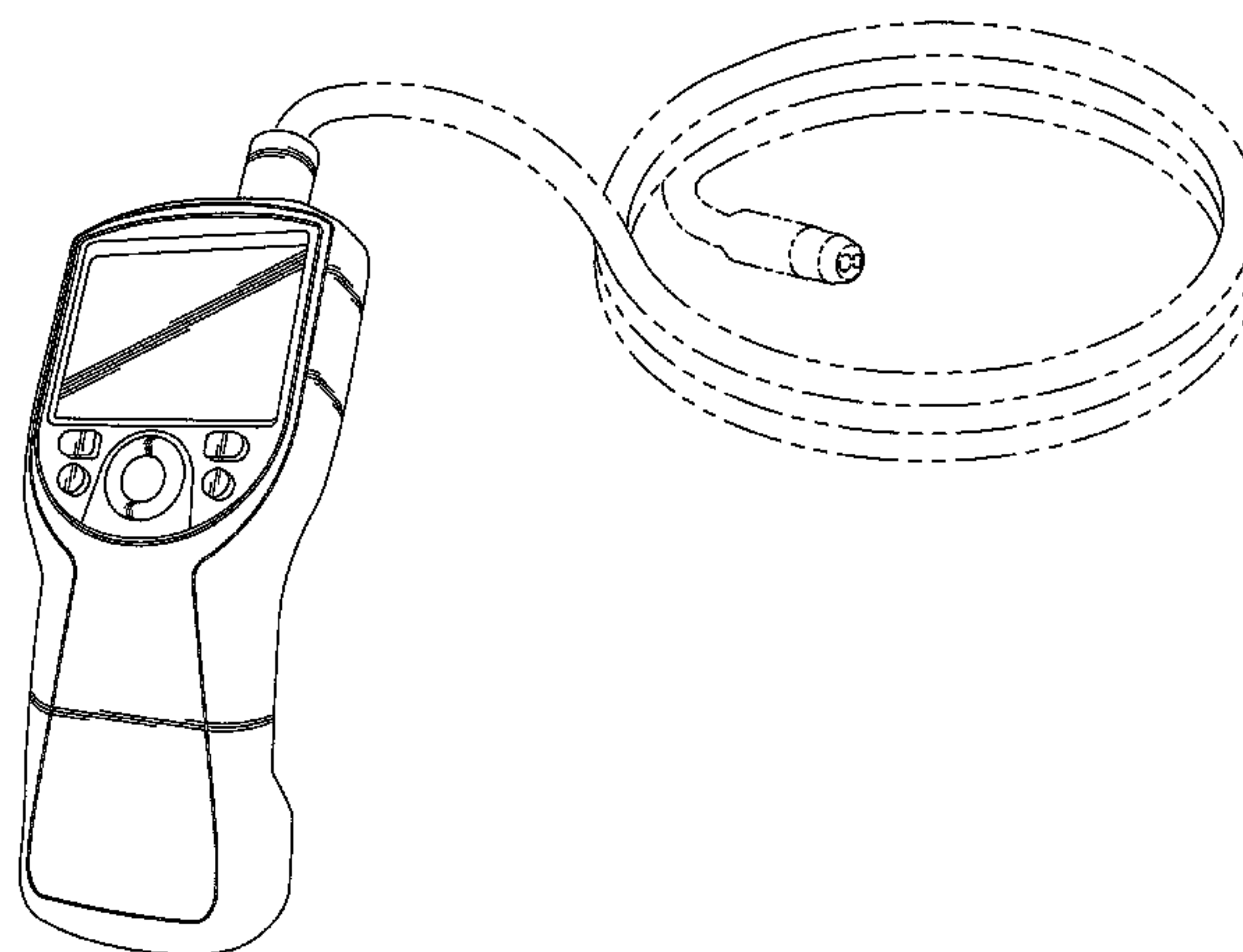
FIG. 11 is a side view of the second embodiment of the display housing, the other side view being a mirror image thereof;

FIG. 12 is a top view of the second embodiment of the display housing; and,

FIG. 13 is a bottom view of the second embodiment of the display housing.

It is to be understood that those portions of the display housing shown in broken line in the accompanying figures do not constitute an integral part of the claimed design and, therefore, are disclaimed as part of the claimed design.

1 Claim, 7 Drawing Sheets



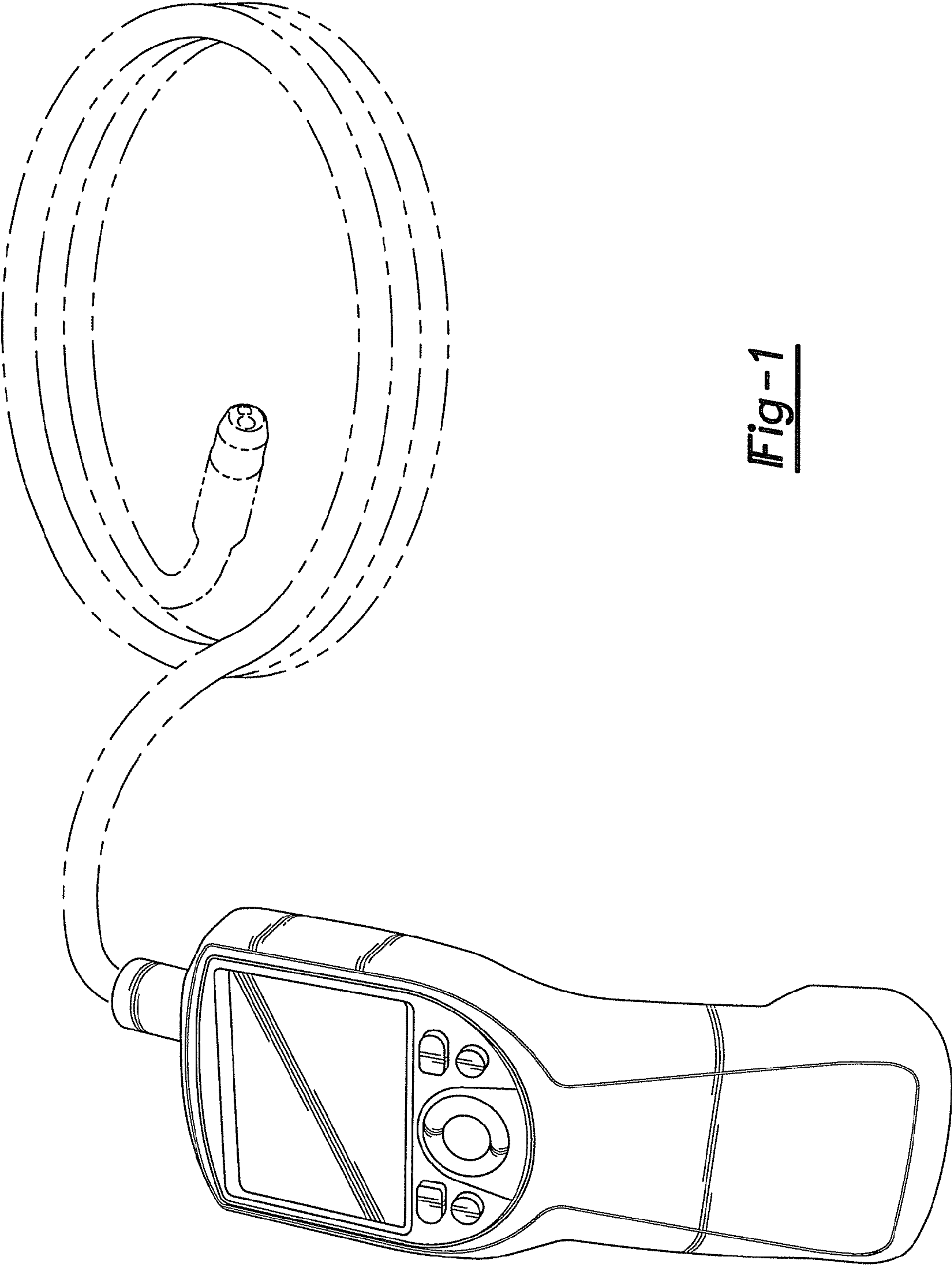


Fig-1

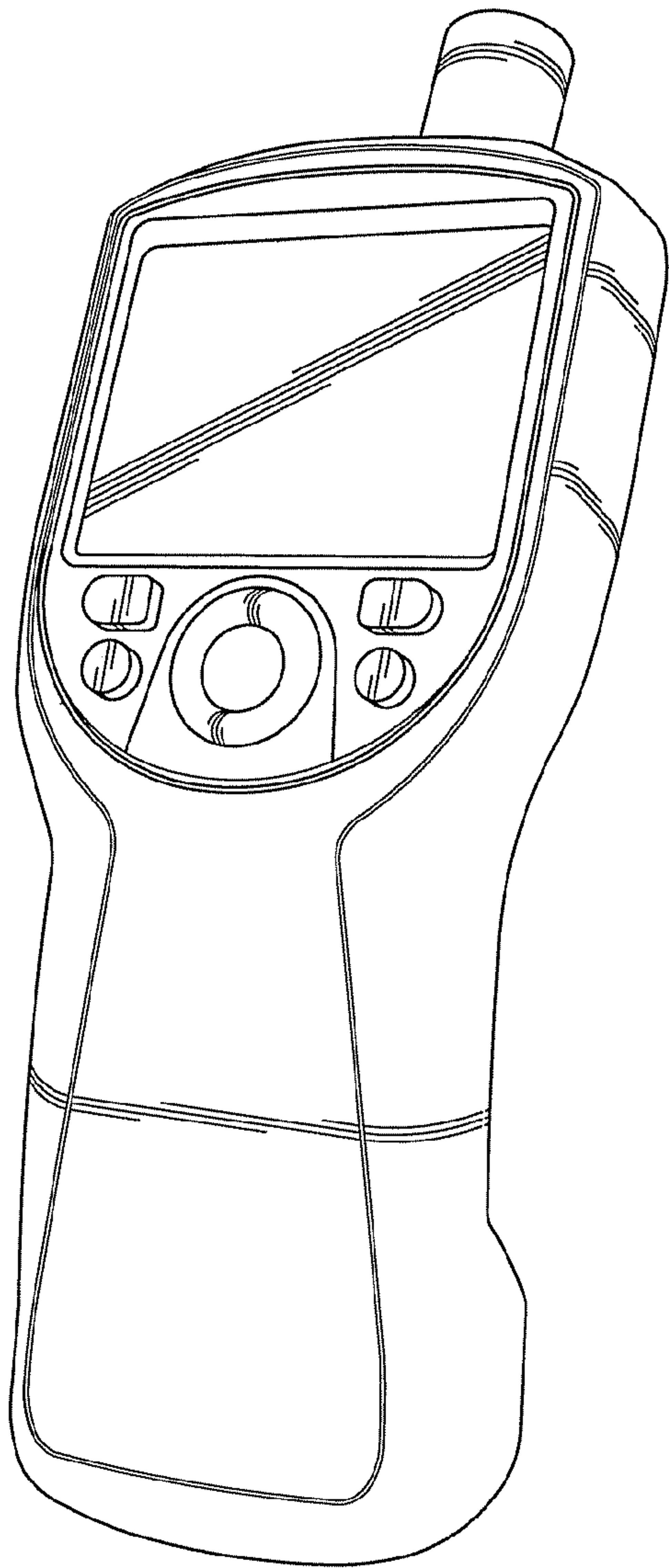


Fig-2

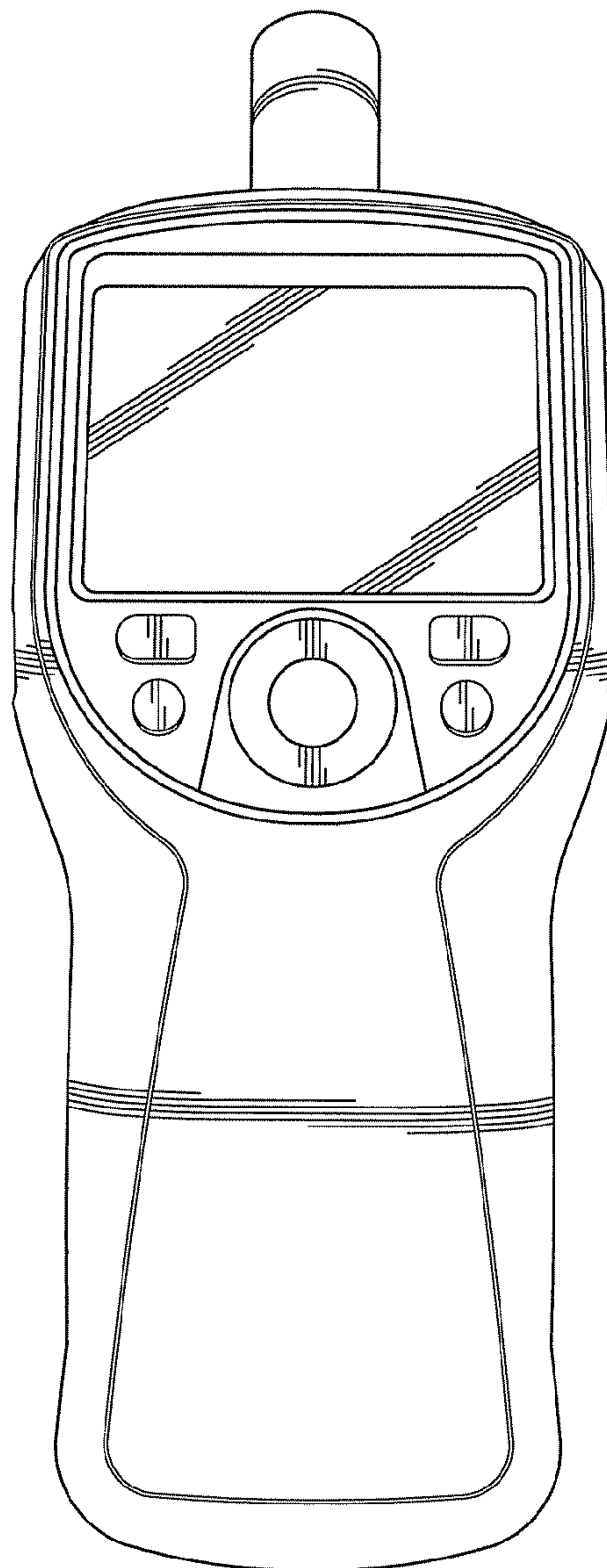


Fig-3

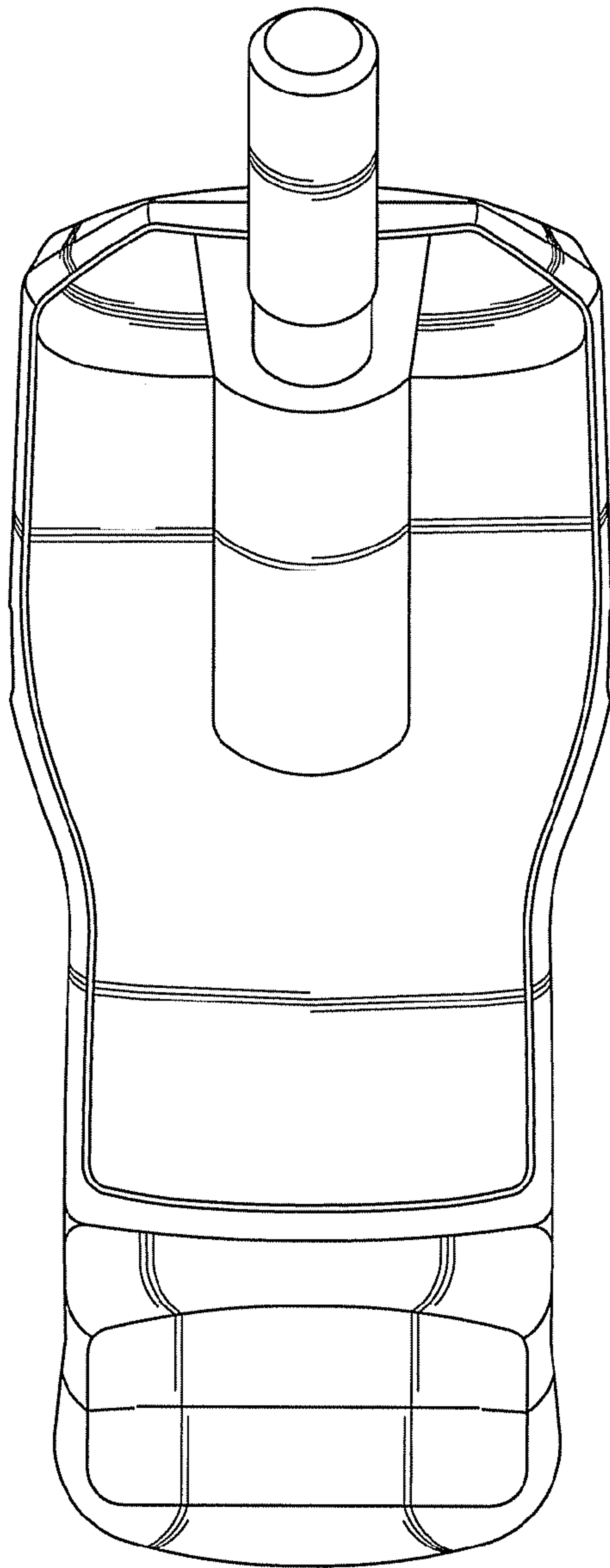


Fig-4

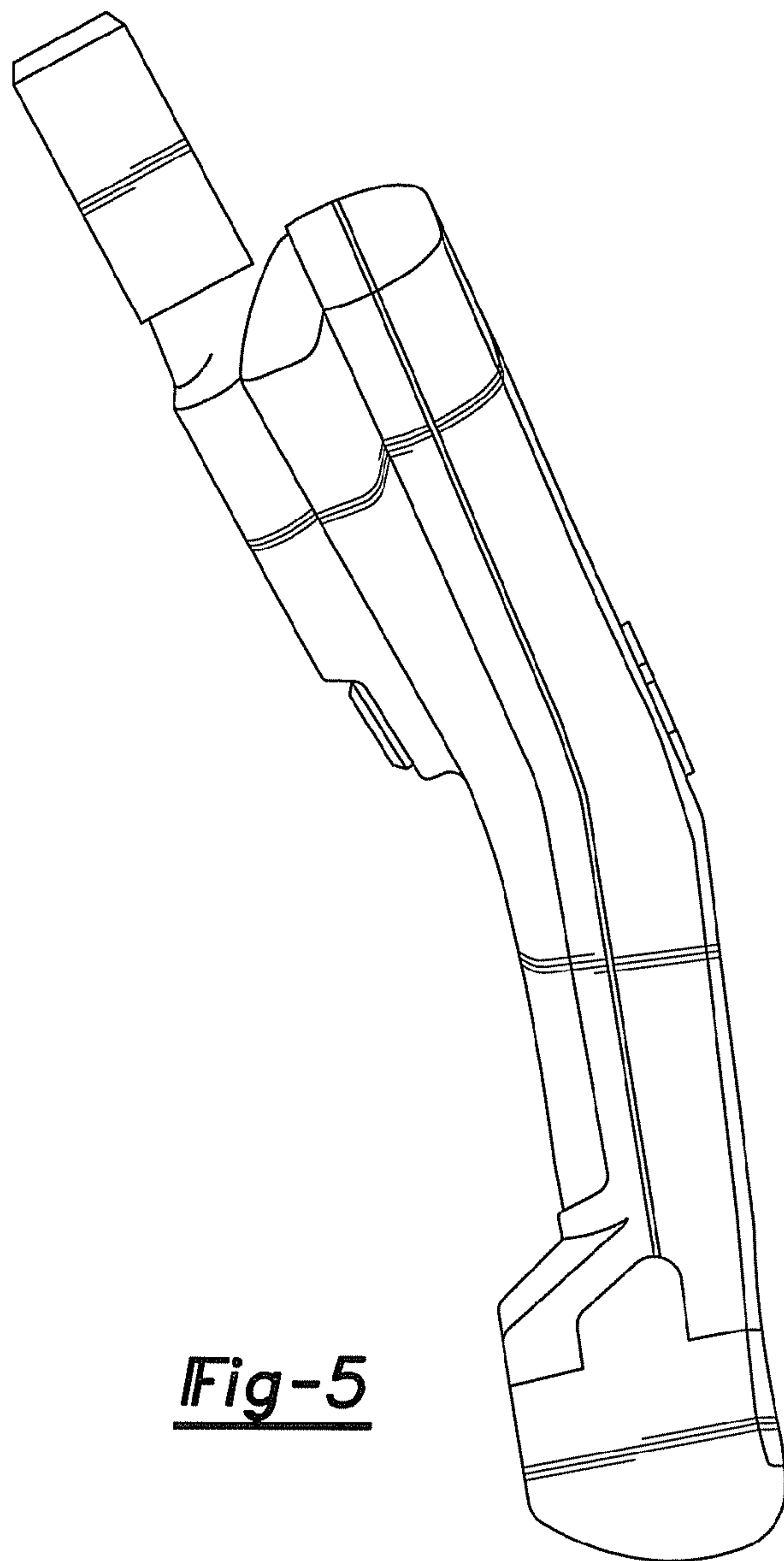


Fig-5

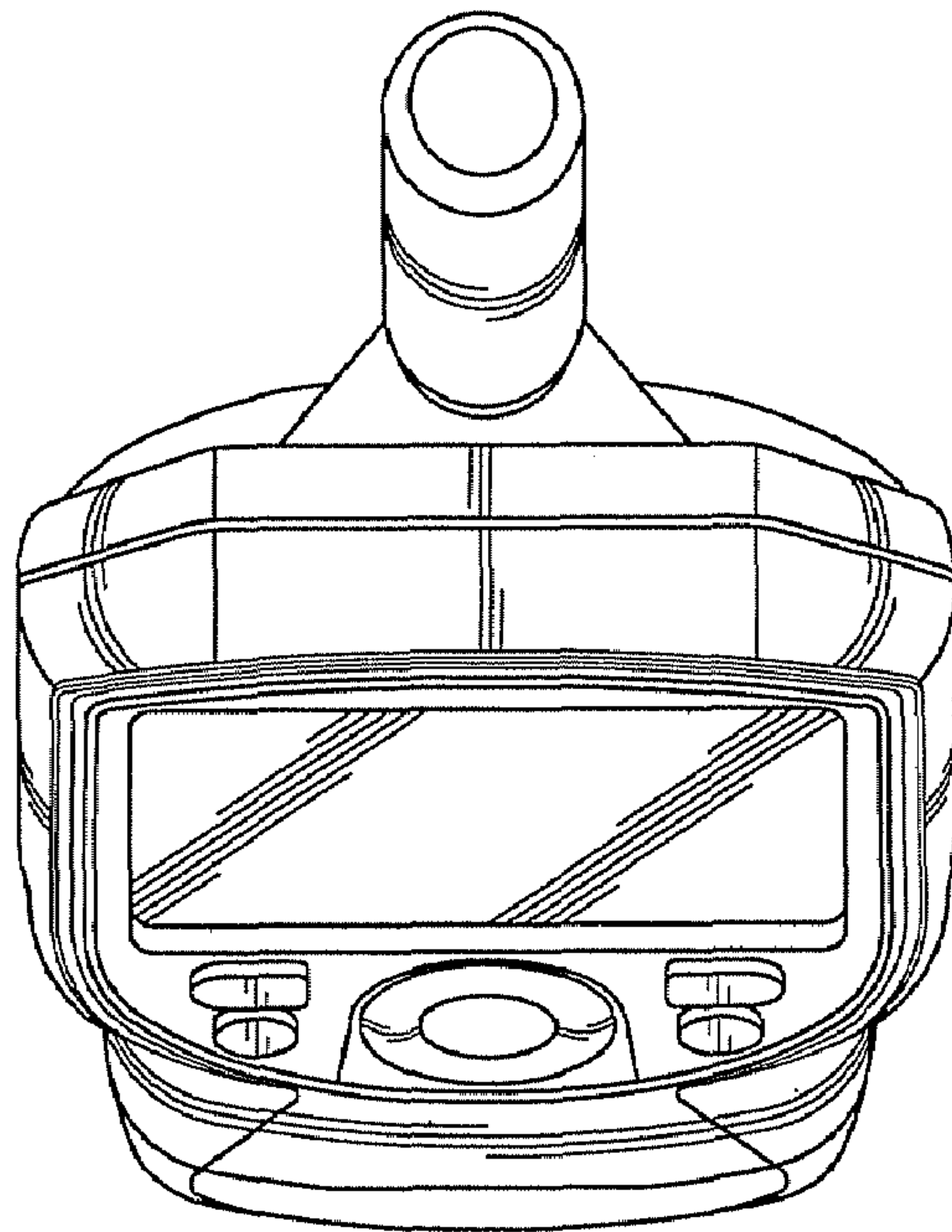


Fig-6

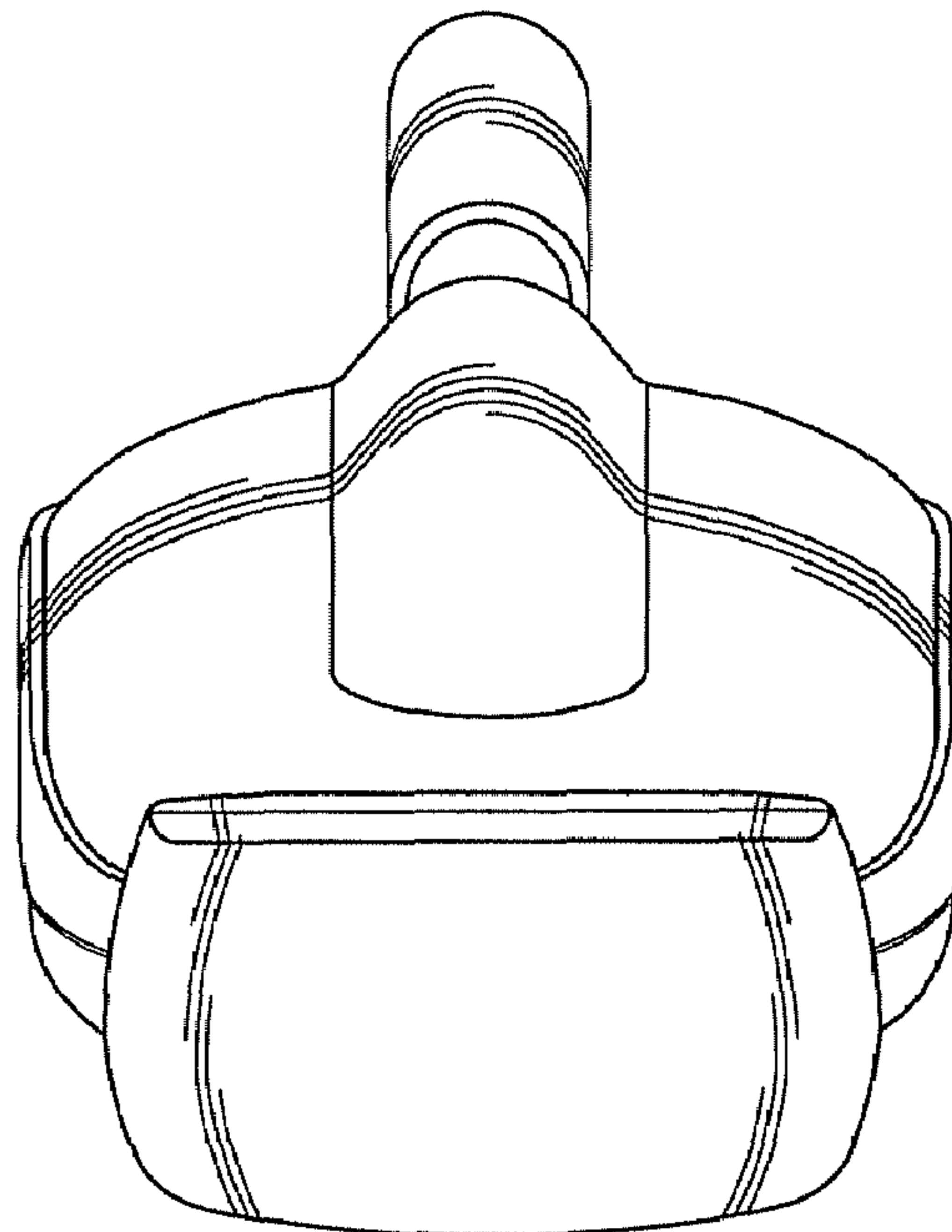


Fig-7

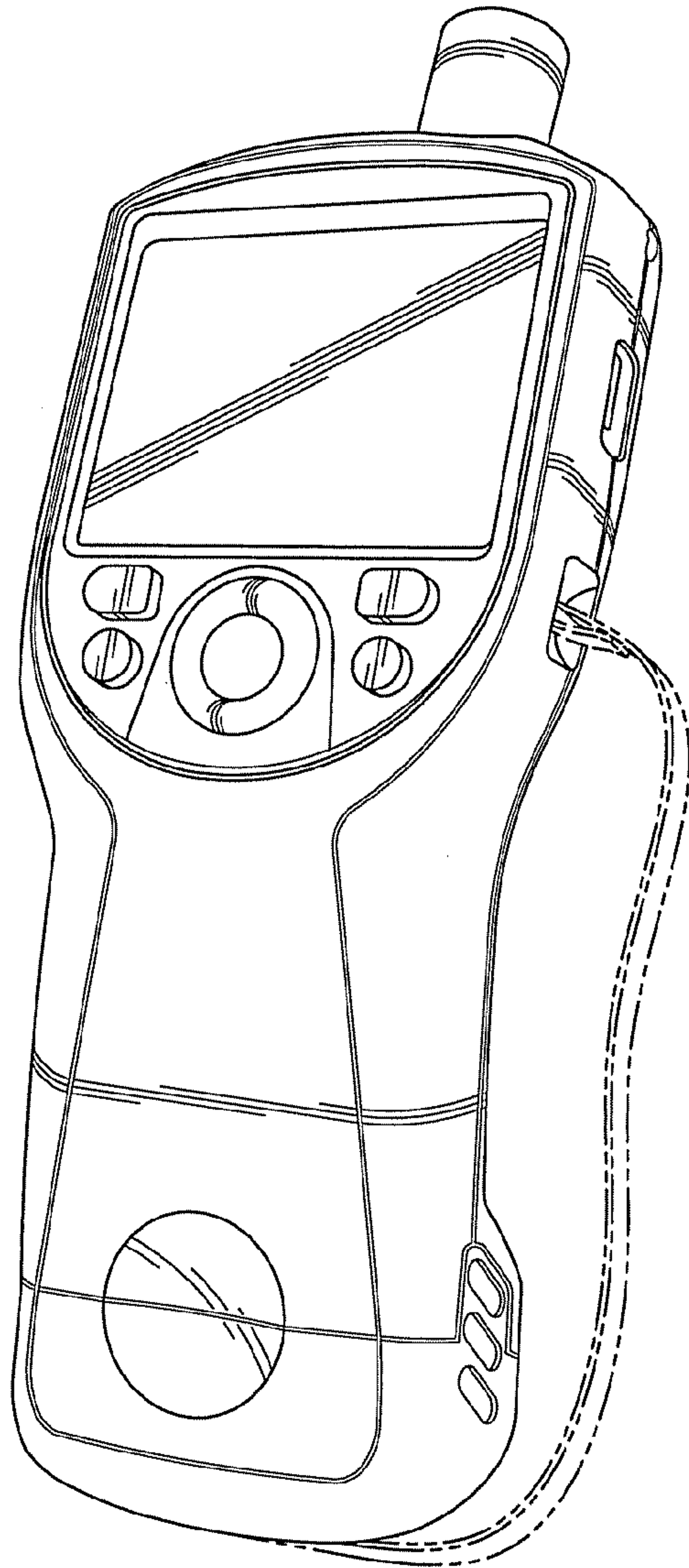


Fig-8

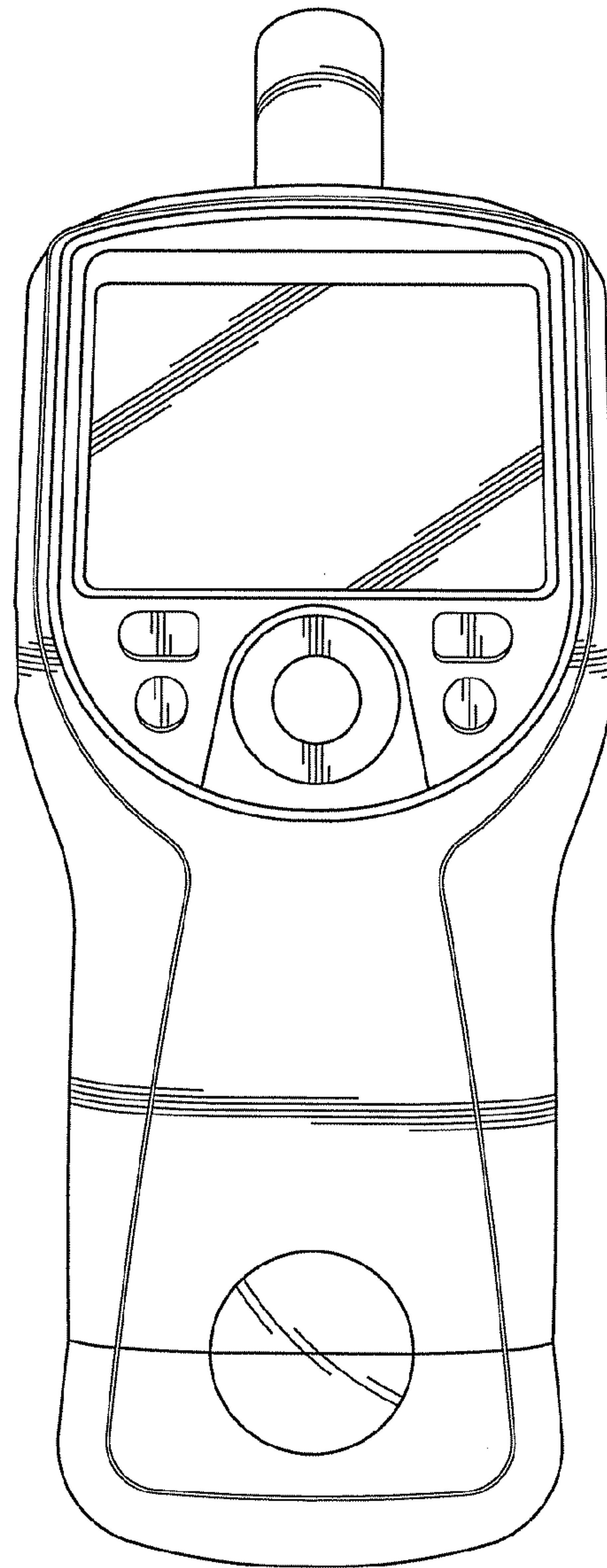


Fig-9

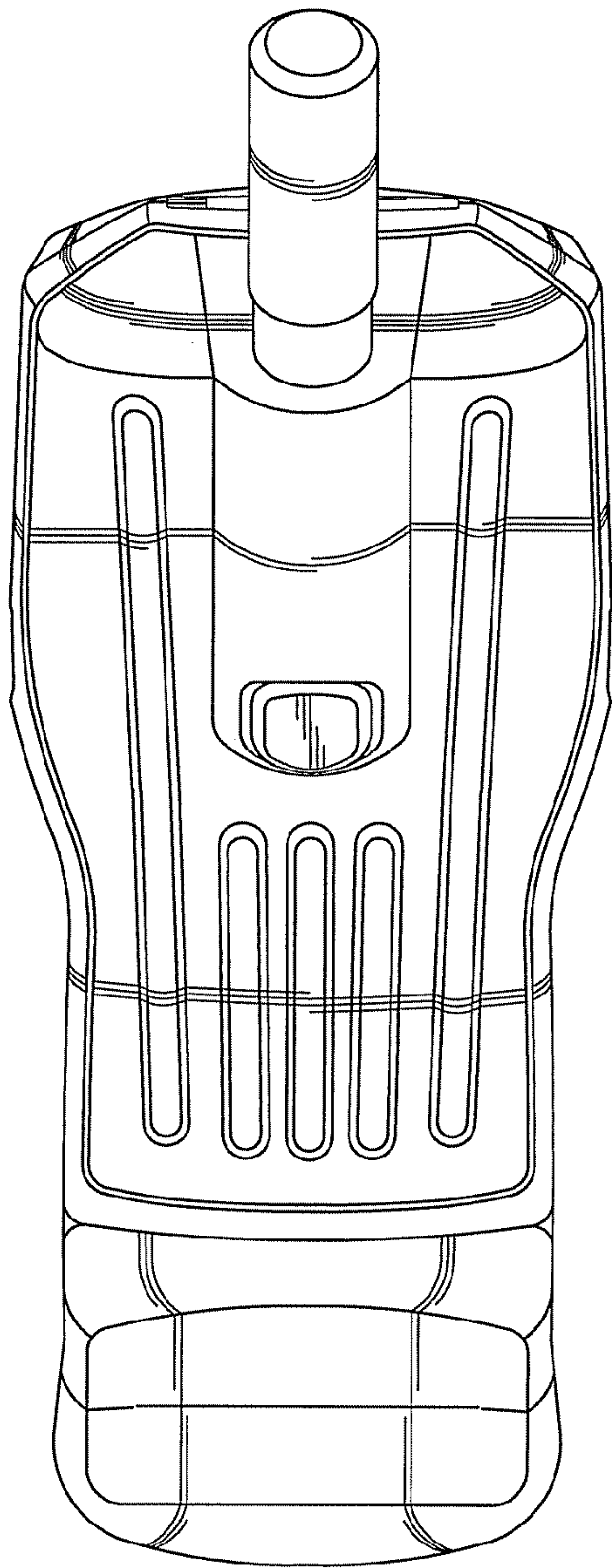


Fig-10

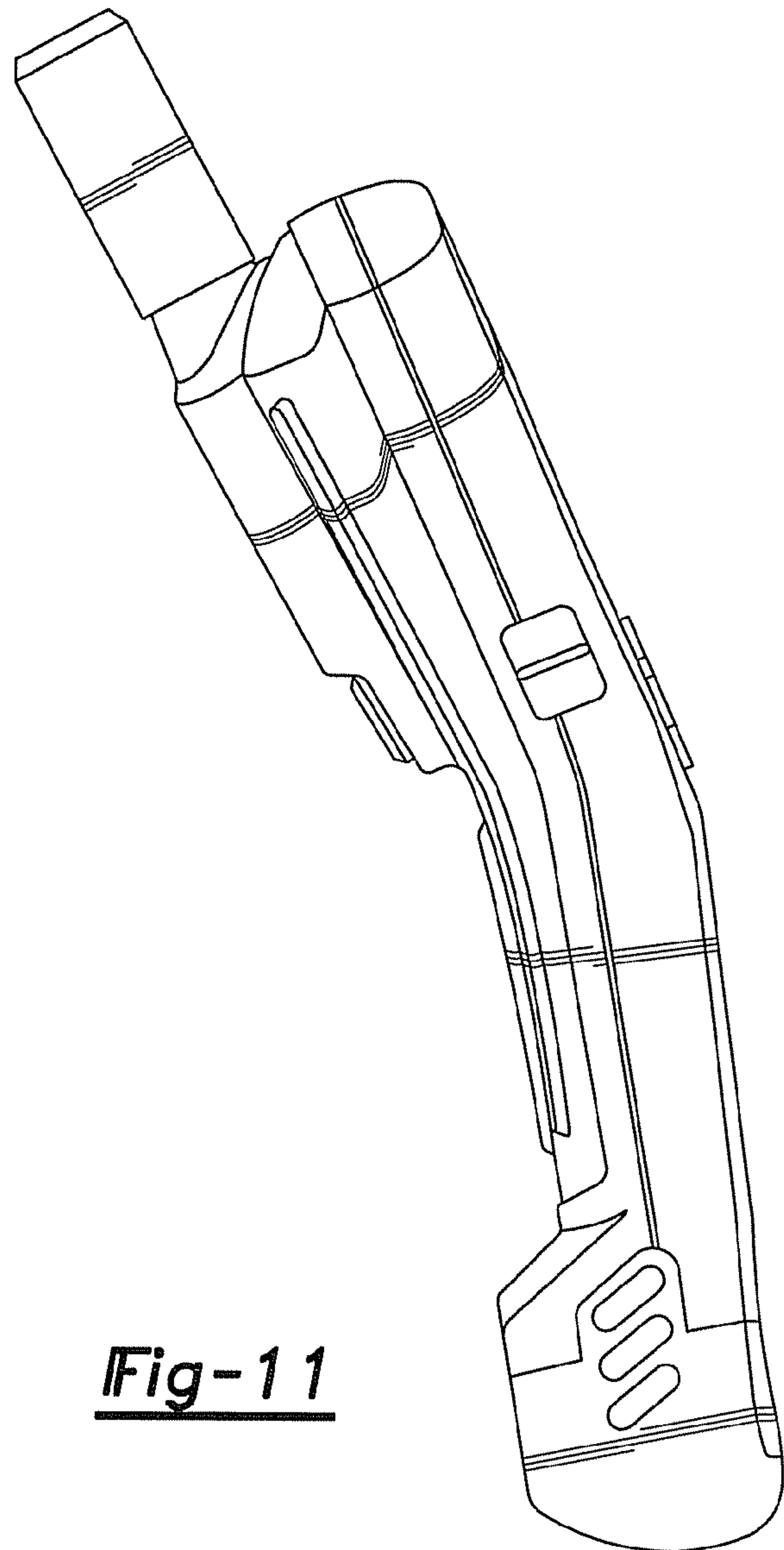


Fig-11

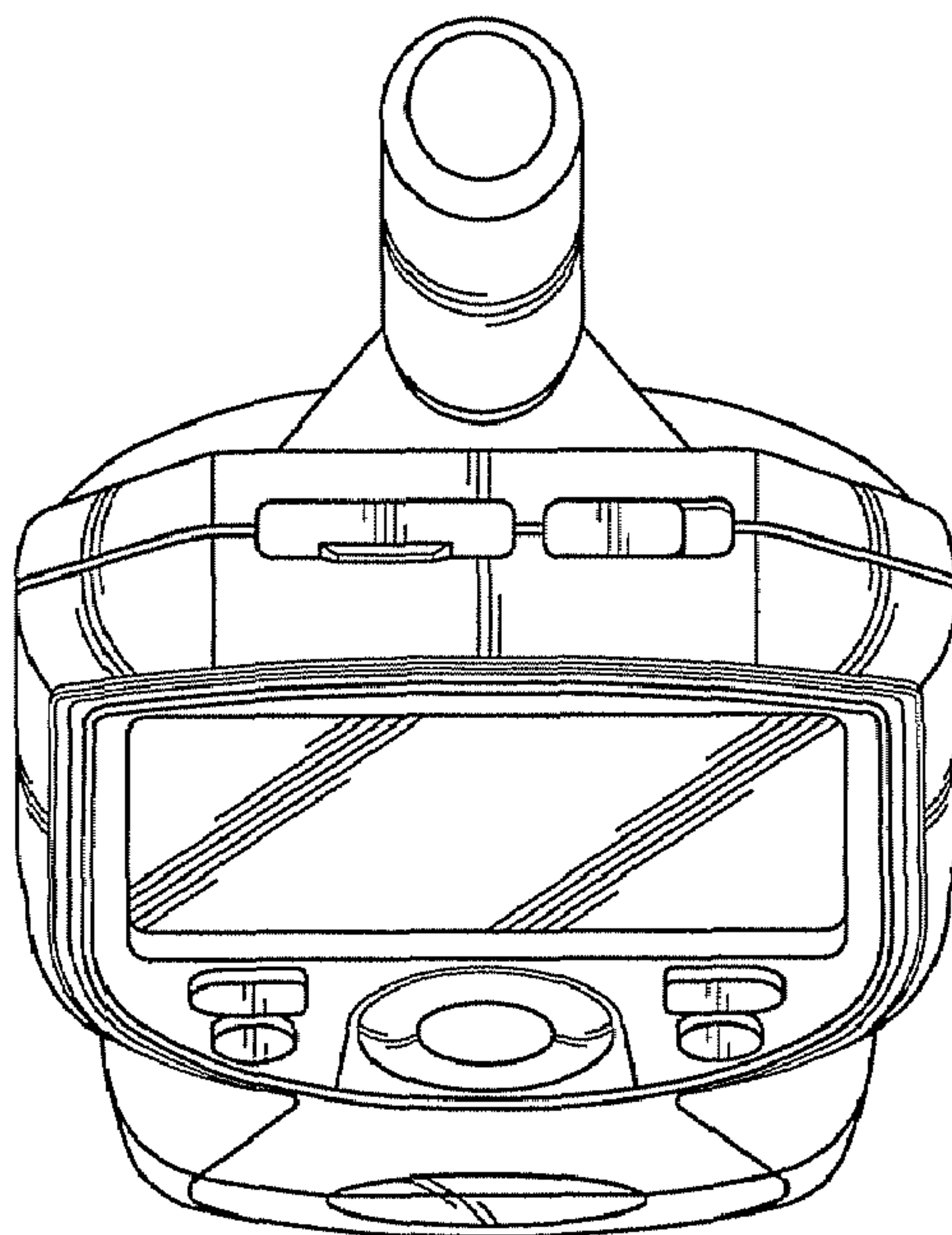


Fig-12

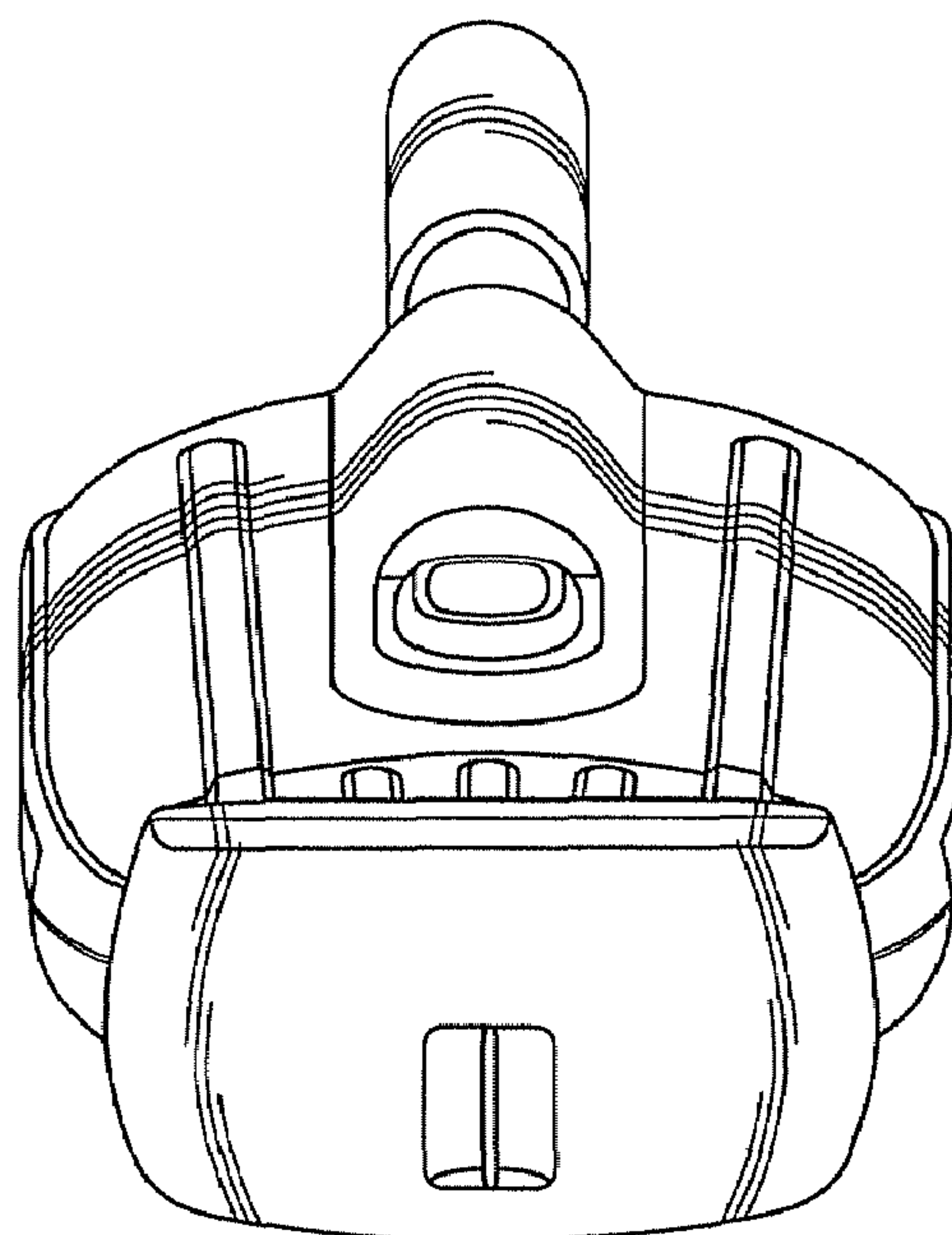


Fig-13