



US00D594361S

(12) **United States Design Patent**  
**Miller et al.**

(10) **Patent No.:** **US D594,361 S**  
(45) **Date of Patent:** **\*\* Jun. 16, 2009**

(54) **DISPLAY HOUSING FOR REMOTE INSPECTION DEVICE**

(75) Inventors: **Jeffrey John Miller**, Northville, MI (US); **Tye L. Newman**, Howell, MI (US); **Paul J. Eckhoff**, South Lyon, MI (US); **Larry Babb**, Grafton, OH (US); **Brian Harvanec**, North Royalton, OH (US)

(73) Assignee: **Perceptron, Inc.**, Plymouth, MI (US)

(\*\*) Term: **14 Years**

(21) Appl. No.: **29/292,353**

(22) Filed: **Oct. 9, 2007**

(51) **LOC (9) Cl.** ..... **10-04**

(52) **U.S. Cl.** ..... **D10/78; D10/104**

(58) **Field of Classification Search** ..... **D10/78, D10/104; D16/202; 250/208.1, 330, 336.1, 250/338.1, 339.03, 395; 348/65-68, 77, 348/141; 362/1, 109, 294, 373, 399; 713/176**  
See application file for complete search history.

(56) **References Cited**

**U.S. PATENT DOCUMENTS**

5,373,317 A \* 12/1994 Salvati et al. .... 348/65  
7,157,705 B2 \* 1/2007 Hamrelius et al. .... 250/330  
D567,123 S \* 4/2008 Babb et al. .... D10/78  
7,484,885 B1 \* 2/2009 Carlson et al. .... 250/338.1  
2007/0187574 A1 \* 8/2007 Lia ..... 250/208.1

**OTHER PUBLICATIONS**

Milwaukee Digital Inspection Camera, Operator's Manual, product commercially available Jun. 2008.

Video Stik Inspection Scope, Operator's Manual, product commercially available Mar. 2008.

\* cited by examiner

*Primary Examiner*—Antoine D Davis

(74) *Attorney, Agent, or Firm*—Harness, Dickey & Pierce, P.L.C.

(57) **CLAIM**

The ornamental design for a display housing for remote inspection devices, as shown and described.

**DESCRIPTION**

FIG. 1 is a perspective view of an exemplary remote inspection device which embodies a display housing in accordance with the present design;

FIG. 2 is a perspective view of a first embodiment of the display housing;

FIG. 3 is a front view of the first embodiment of the display housing;

FIG. 4 is a side view of the first embodiment of the display housing, the other side view being a mirror image thereof;

FIG. 5 is a rear view of the first embodiment of the display housing;

FIG. 6 is a top view of the first embodiment of the display housing;

FIG. 7 is a bottom view of the first embodiment of the display housing;

FIG. 8 is a perspective view of the second embodiment of the display housing;

FIG. 9 is a front view of the second embodiment of the display housing;

FIG. 10 is a side view of the second embodiment of the display housing, the other side view being a mirror image thereof;

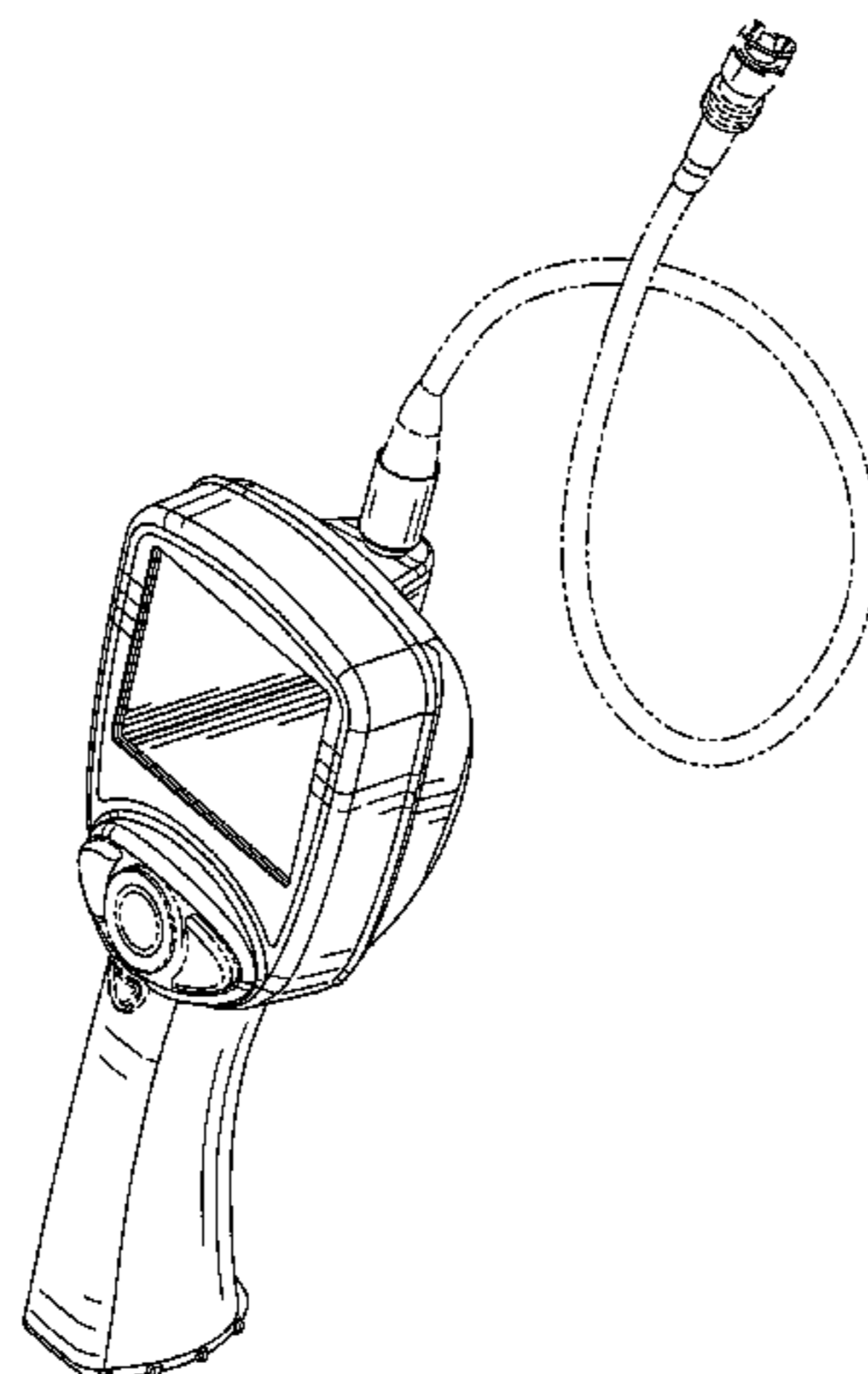
FIG. 11 is a rear view of the second embodiment of the display housing;

FIG. 12 is a top view of the second embodiment of the display housing; and,

FIG. 13 is a bottom view of the second embodiment of the display housing.

It is to be understood that those portions of the display housing shown in broken line in the accompanying figures do not constitute an integral part of the claimed design and, therefore, are disclaimed as part of the claimed design.

**1 Claim, 11 Drawing Sheets**



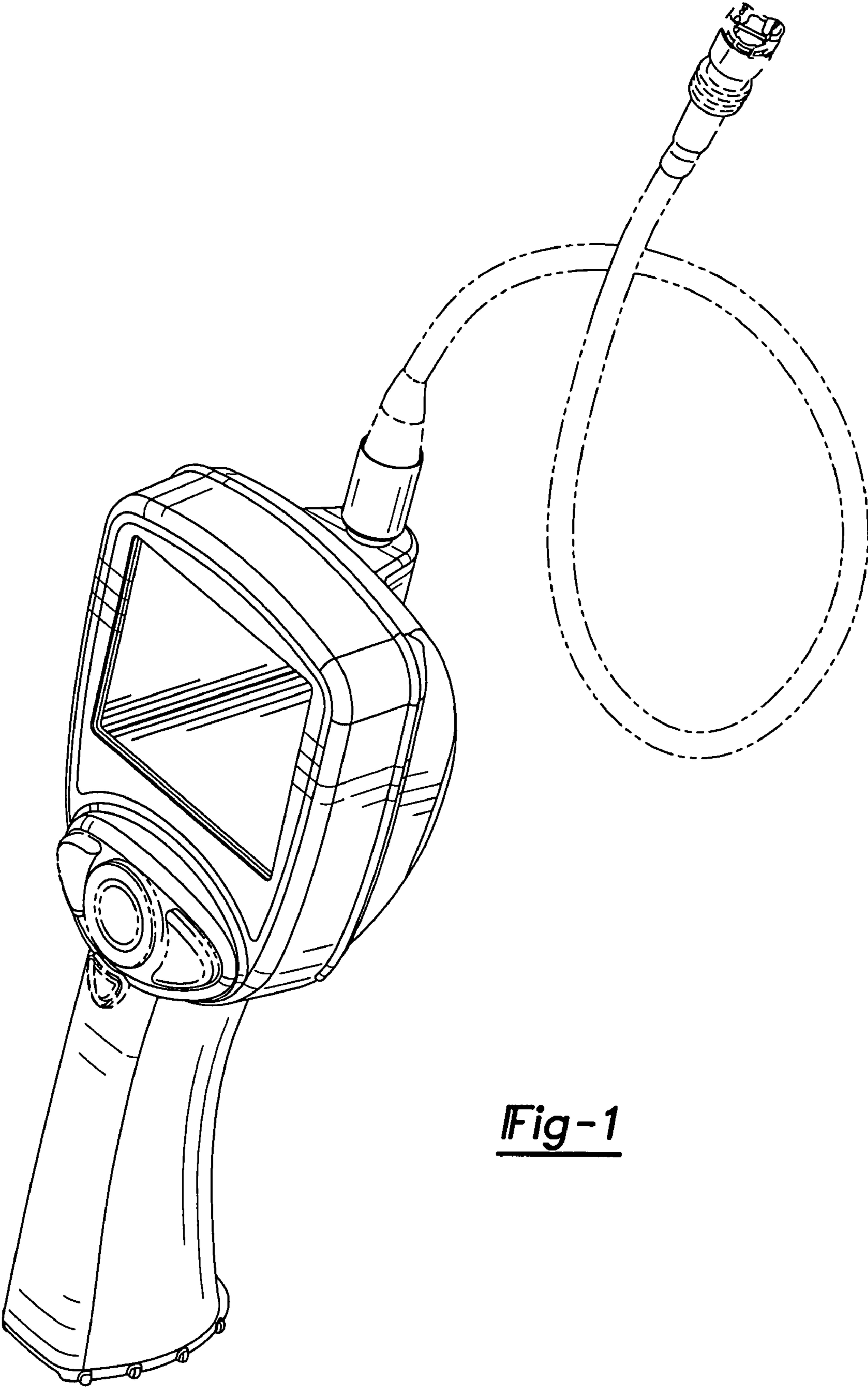


Fig-1

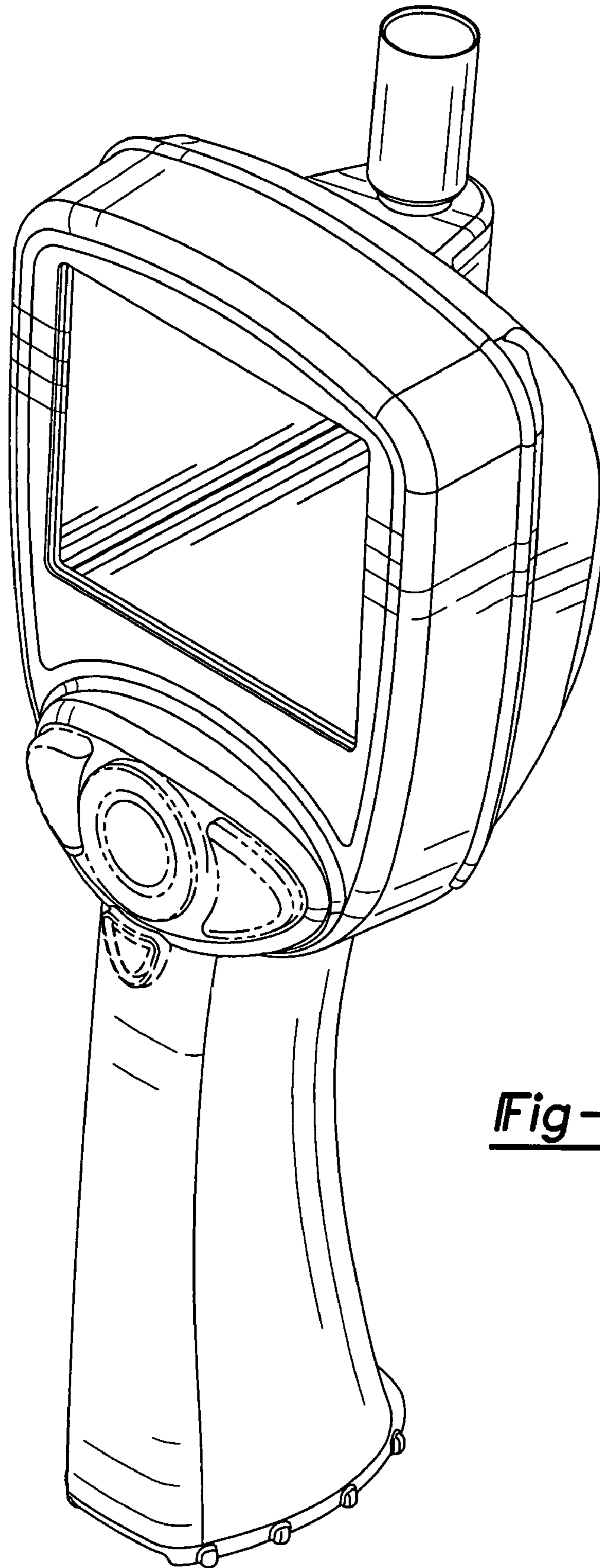


Fig-2

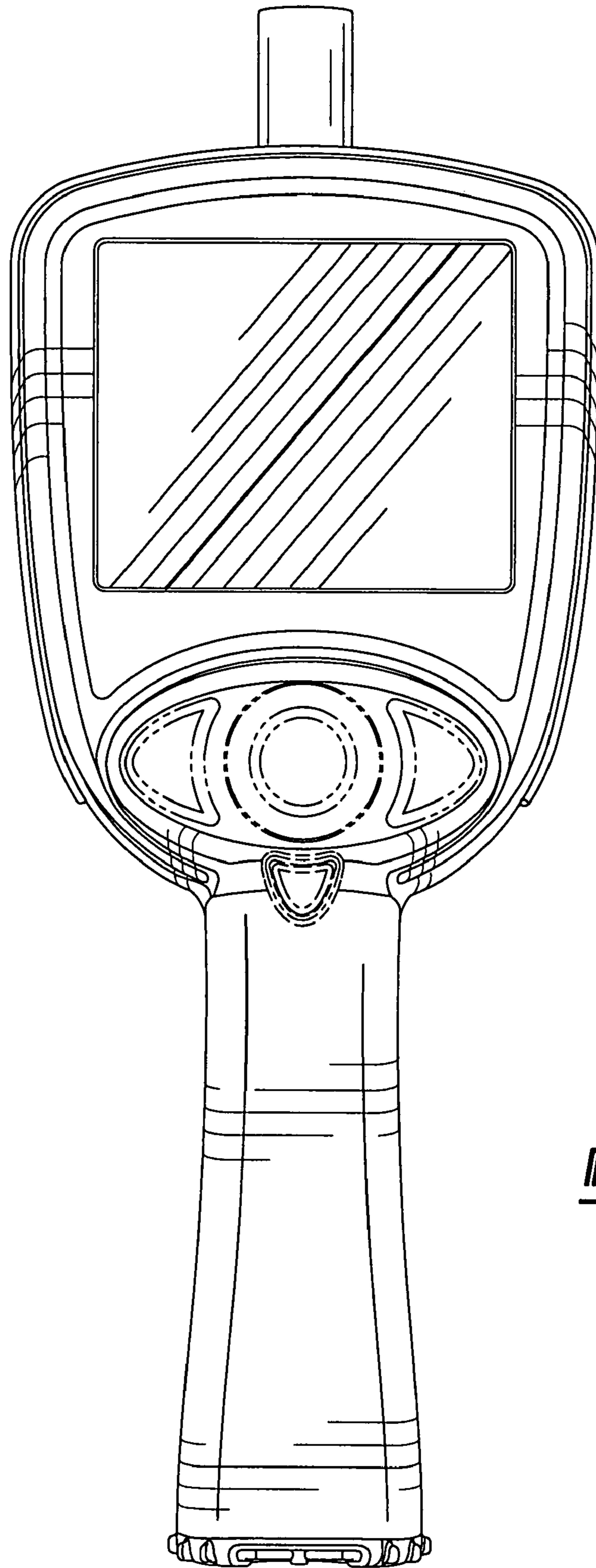


Fig-3

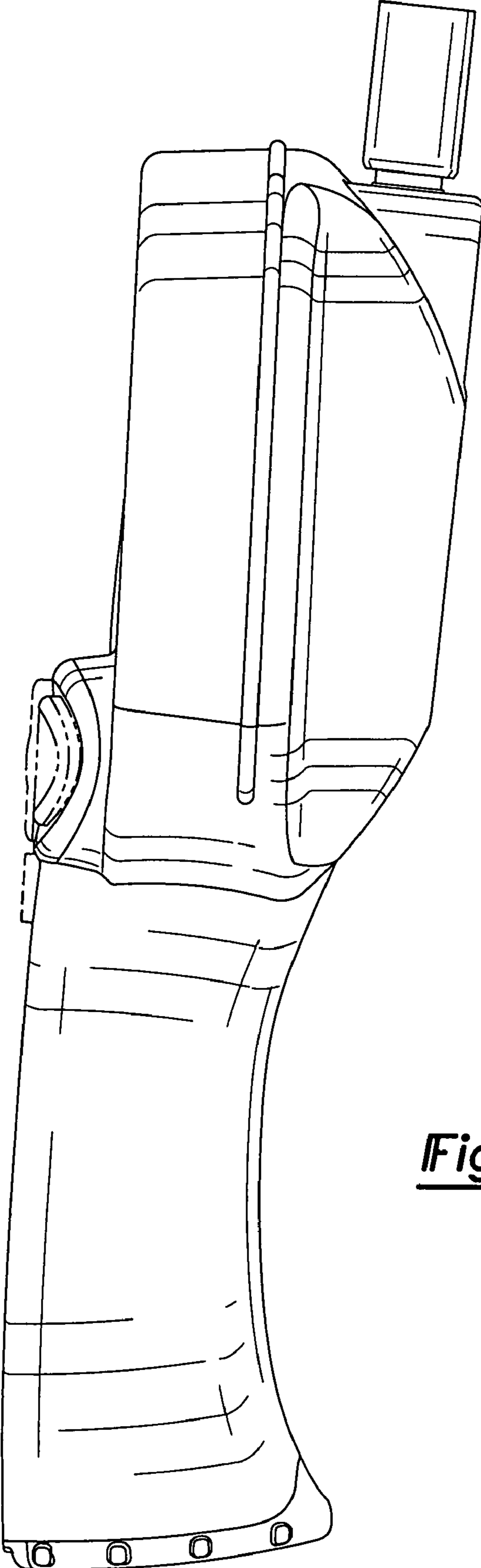


Fig-4

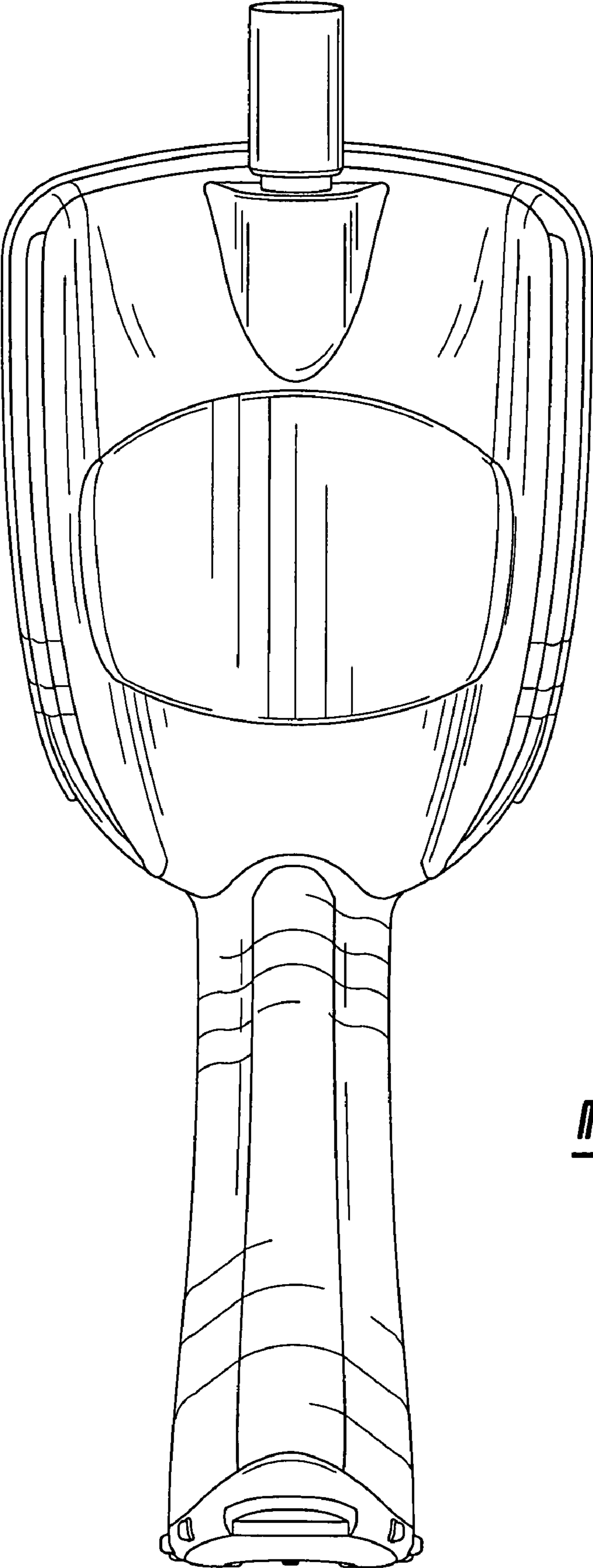


Fig-5

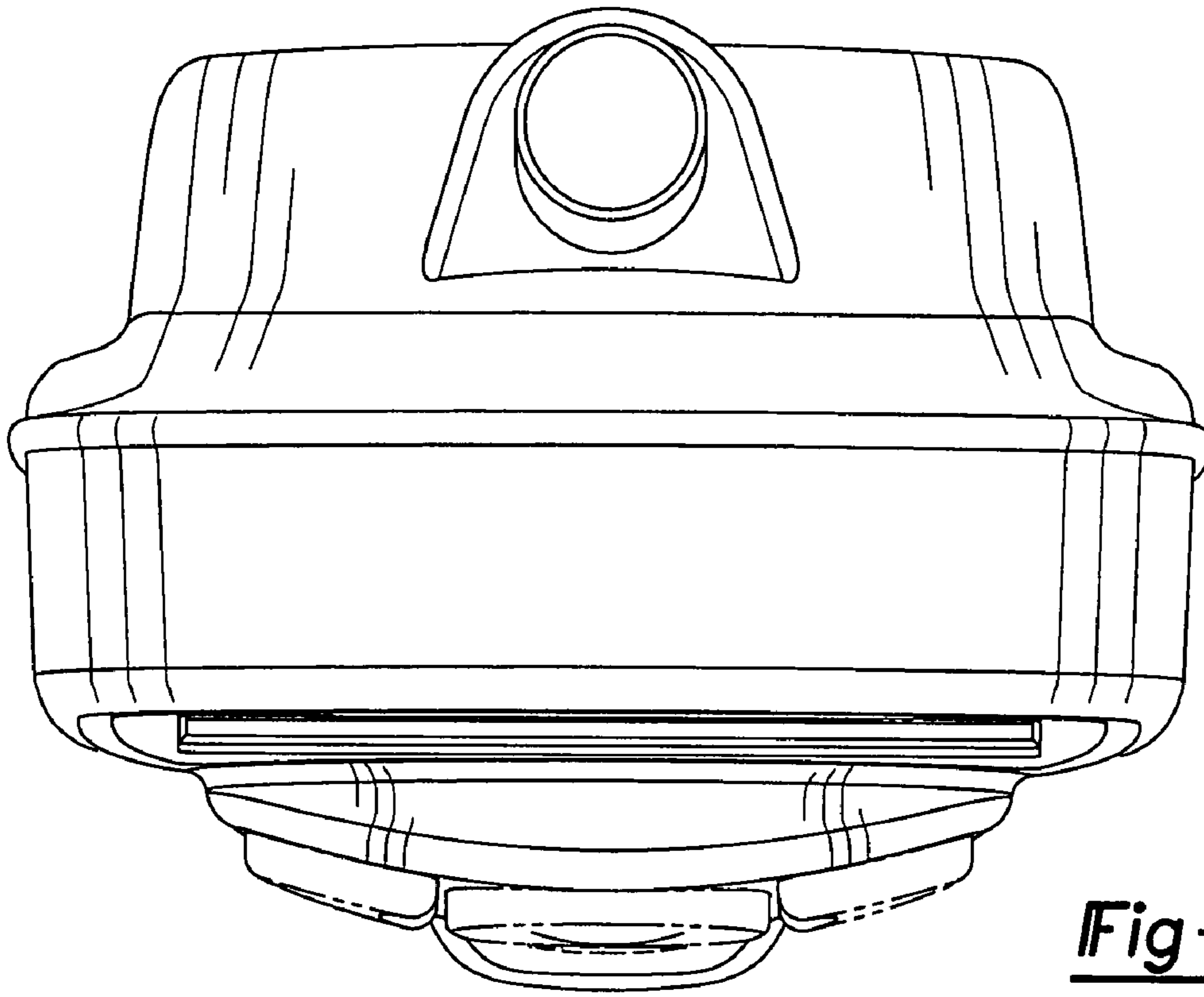


Fig-6

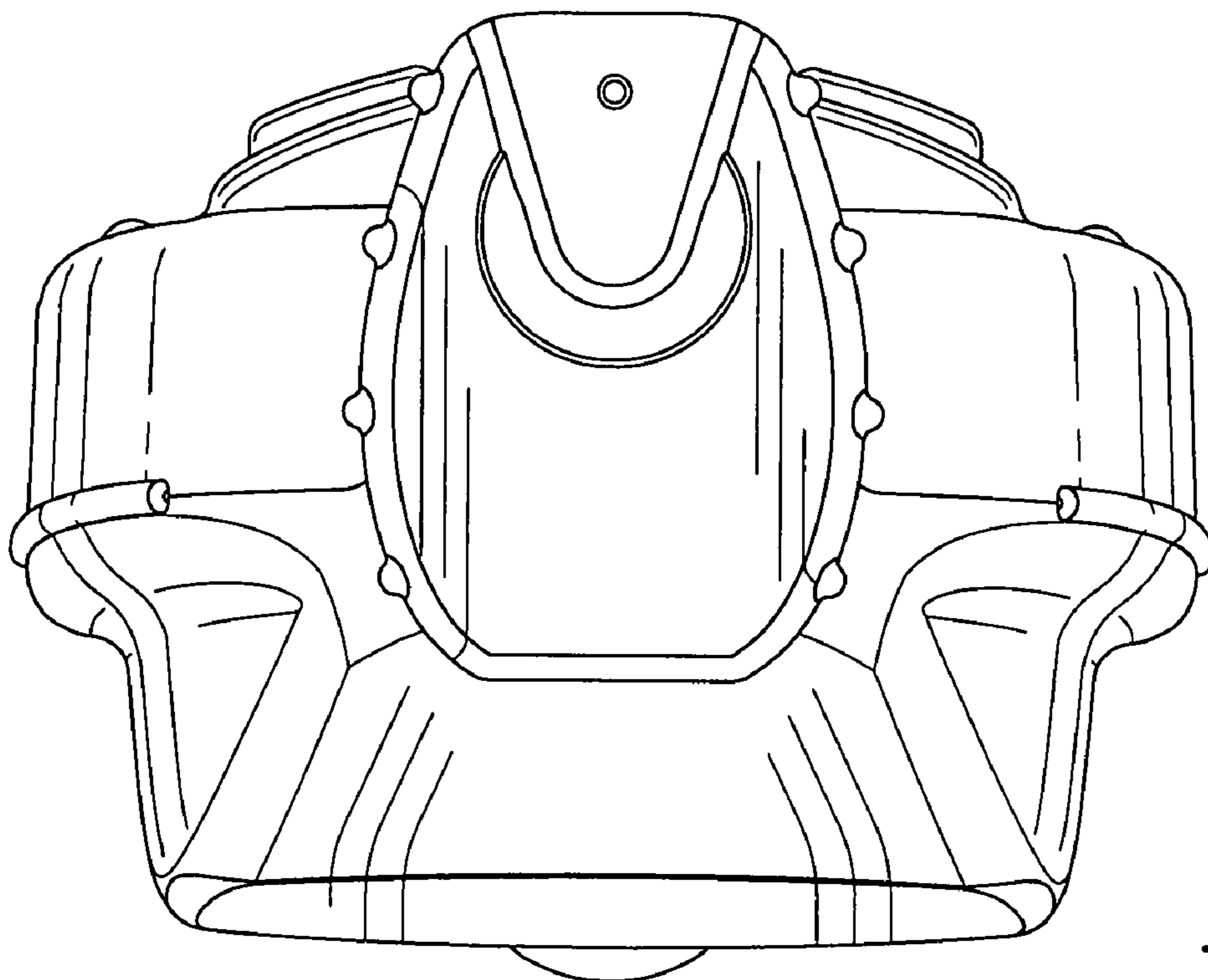


Fig-7

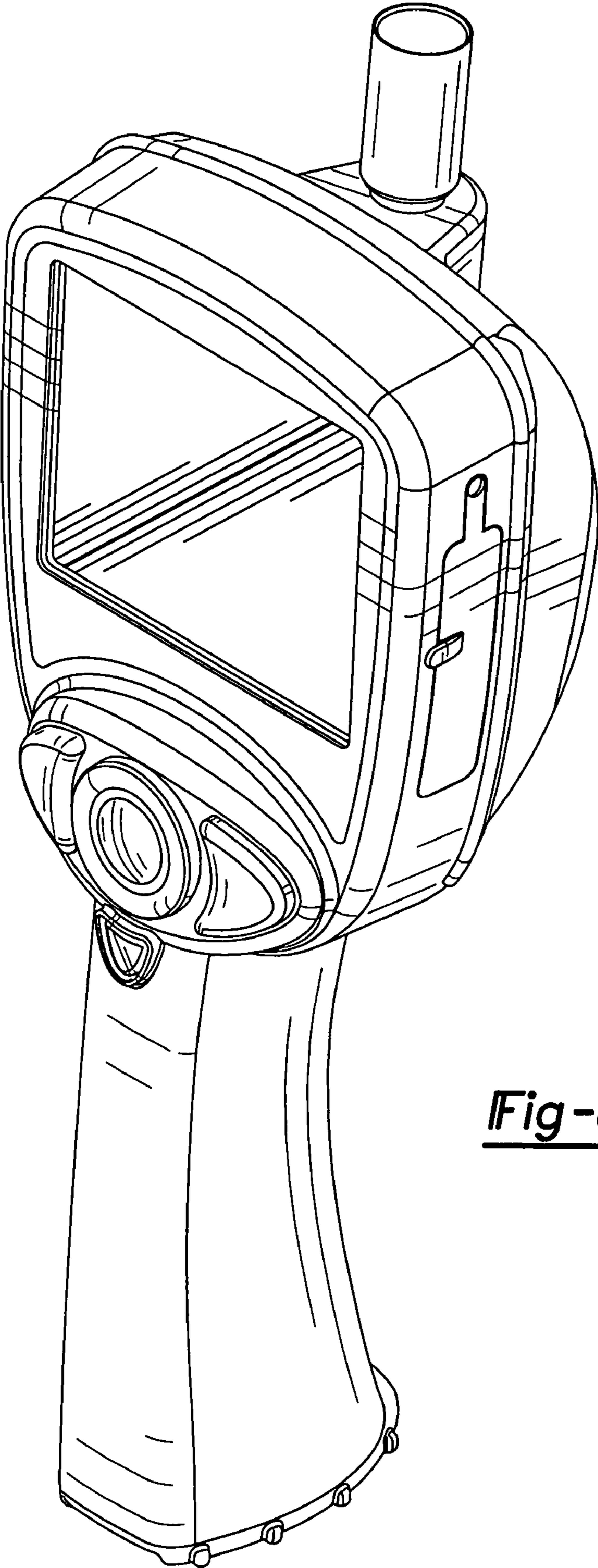


Fig-8



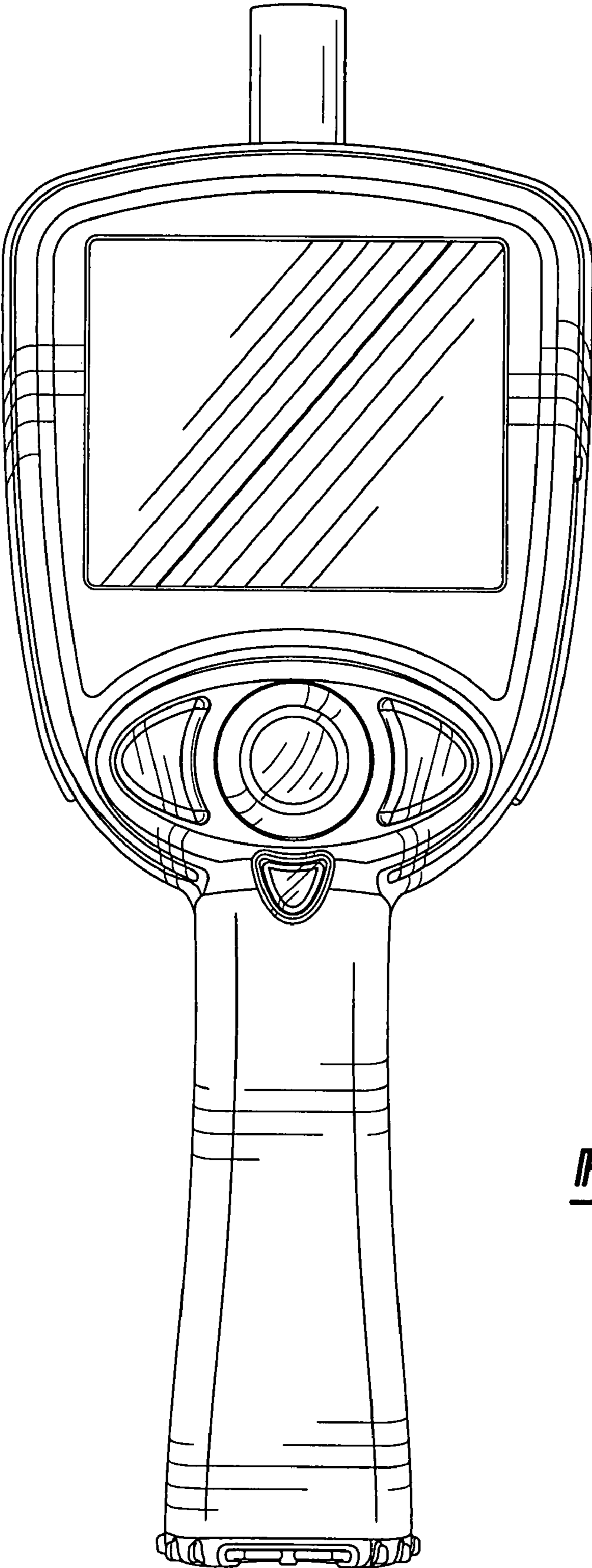


Fig-9

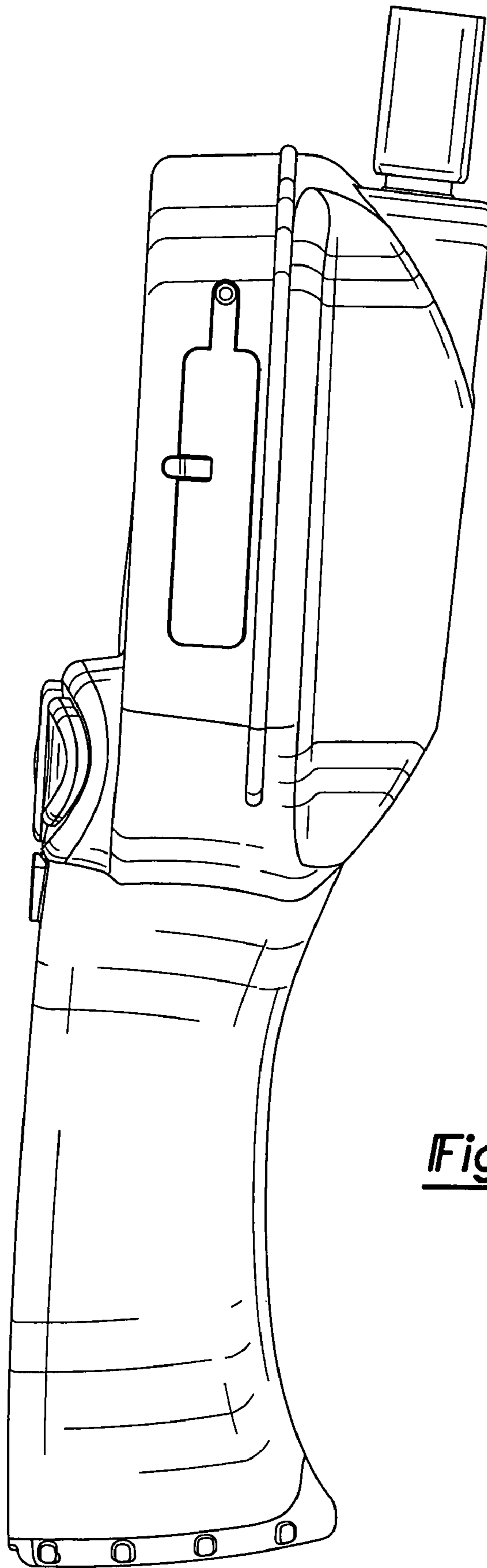


Fig-10

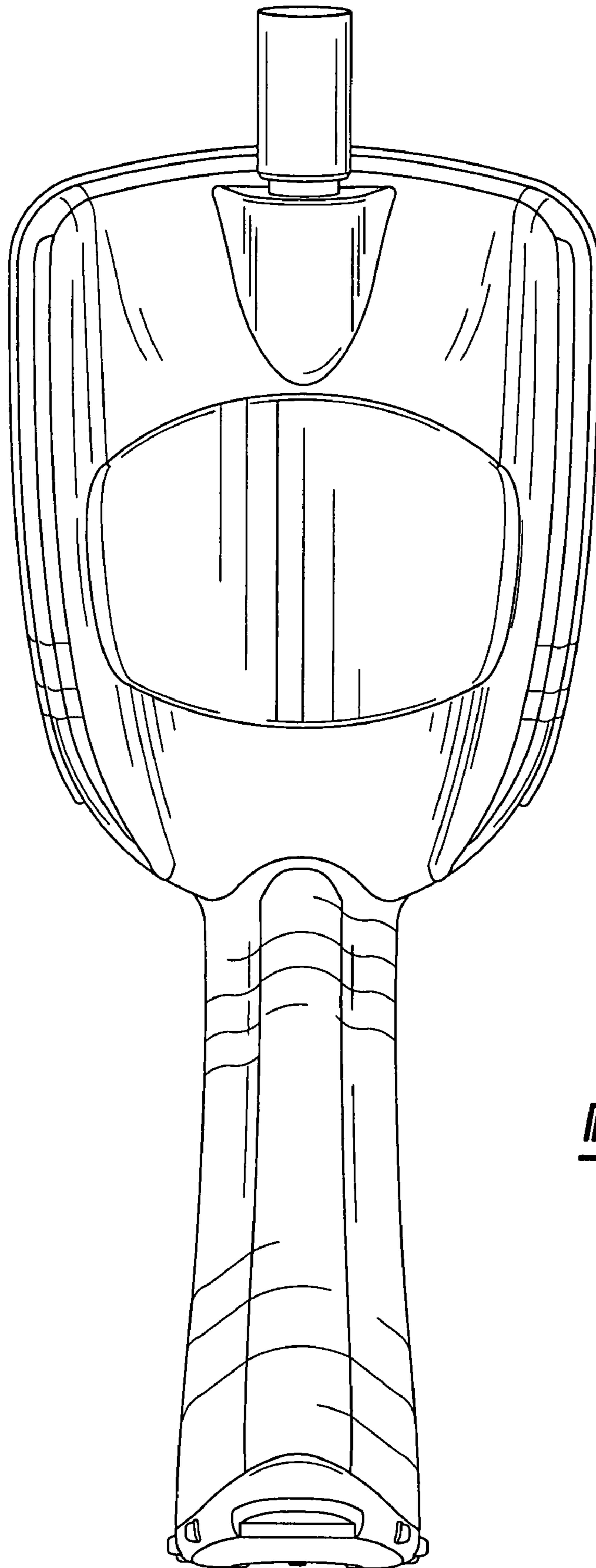


Fig-11

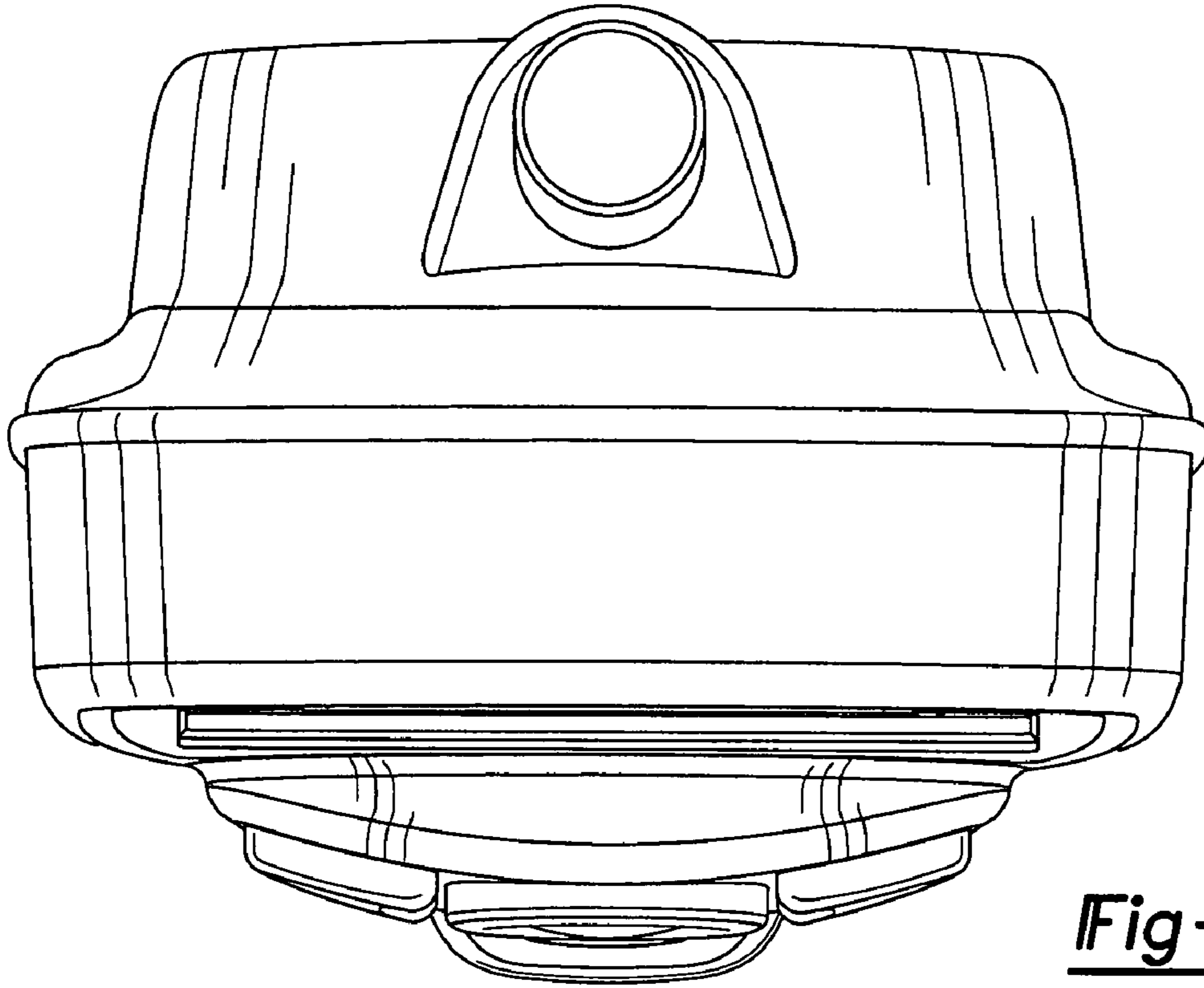


Fig-12

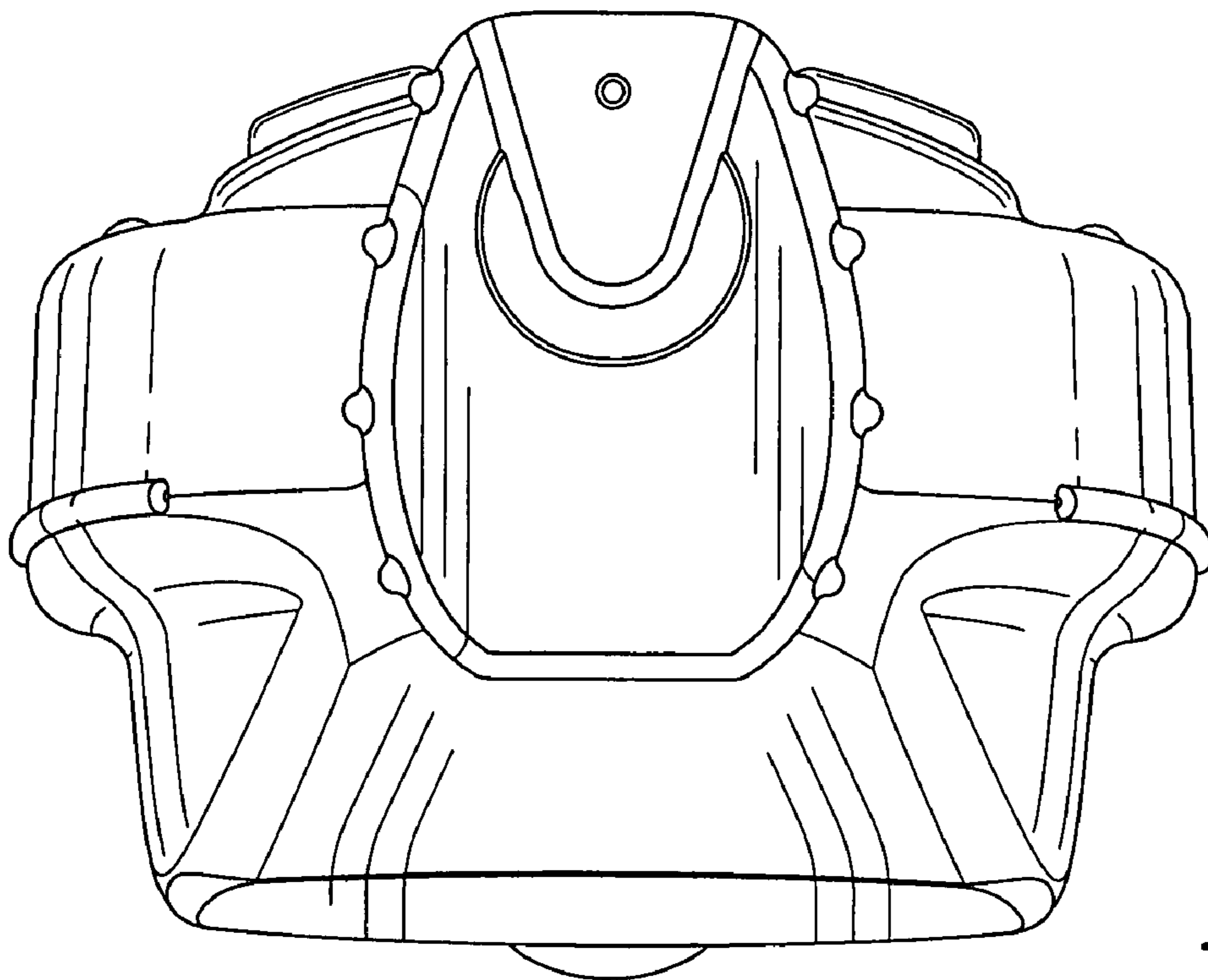


Fig-13

UNITED STATES PATENT AND TRADEMARK OFFICE  
**CERTIFICATE OF CORRECTION**

PATENT NO. : Des. 594,361 S  
APPLICATION NO. : 29/292353  
DATED : June 16, 2009  
INVENTOR(S) : Jeffrey J. Miller et al.

Page 1 of 1

It is certified that error appears in the above-identified patent and that said Letters Patent is hereby corrected as shown below:

Title Page.

Item (75), Inventors, insert: --**Edward Alexander McKiernan**, Avon, OH (US)--

Signed and Sealed this

Fourth Day of August, 2009



JOHN DOLL

*Acting Director of the United States Patent and Trademark Office*