

US00D594358S

(12) **United States Design Patent**
Lammers-Meis et al.

(10) **Patent No.:** **US D594,358 S**
(45) **Date of Patent:** **** Jun. 16, 2009**

(54) **NAVIGATION DEVICE**

(75) Inventors: **David F. Lammers-Meis**, Olathe, KS (US); **Thomas A. Bondurant**, Shawnee, KS (US); **John P. Oberrieder**, Mission, KS (US)

(73) Assignee: **Garmin Ltd.** (KY)

(**) Term: **14 Years**

(21) Appl. No.: **29/321,678**

(22) Filed: **Jul. 22, 2008**

Related U.S. Application Data

(63) Continuation of application No. 29/299,753, filed on Jan. 3, 2008, now abandoned.

(51) **LOC (9) Cl.** **10-04**

(52) **U.S. Cl.** **D10/65**

(58) **Field of Classification Search** D10/65, D10/70; D14/347; 342/351, 419, 457, 357.06-357.16; 343/702; 345/87, 104, 133, 156, 168, 173, 345/901-905; 348/180, 184, 315, 739; 364/444, 364/499; 701/206-209, 213-214
See application file for complete search history.

(56) **References Cited**

U.S. PATENT DOCUMENTS

- D456,289 S * 4/2002 Laverick D10/65
- D475,937 S * 6/2003 Banaya D10/65
- D486,083 S * 2/2004 Laverick et al. D10/65
- D494,878 S * 8/2004 Laverick et al. D10/65

- RE38,699 E * 2/2005 Laverick et al. D10/65
- D564,921 S * 3/2008 Cheng D10/65
- D577,298 S * 9/2008 Reeson et al. D10/65
- 2009/0015547 A1 * 1/2009 Franz et al. 345/156

OTHER PUBLICATIONS

Garmin's Edge® 205/305 Owner's Manual, Dec. 2005.

* cited by examiner

Primary Examiner—Antoine D Davis

(74) *Attorney, Agent, or Firm*—Samual M. Korte

(57) **CLAIM**

The ornamental design for a navigation device, as shown and described.

DESCRIPTION

FIG. 1 is a front isometric view of a navigation device according to the present invention;

FIG. 2 is a rear isometric view thereof;

FIG. 3 is a front elevational view thereof;

FIG. 4 is a top plan view thereof;

FIG. 5 is a bottom plan view thereof;

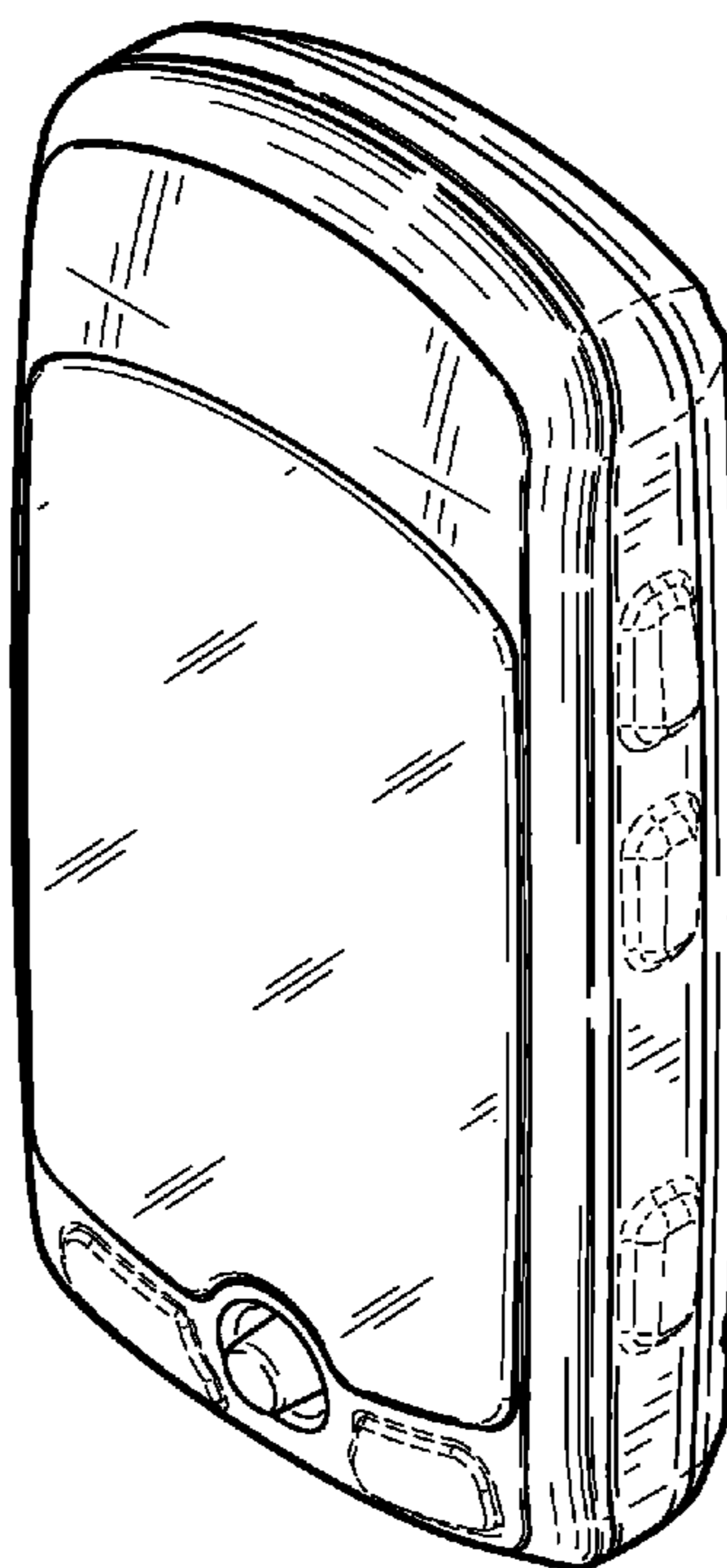
FIG. 6 is a rear plan view thereof;

FIG. 7 is a left side elevational view thereof; and,

FIG. 8 is a right side elevational view thereof.

Portions of FIGS. 1 through 8 are shown in dashed lines for illustrative purposes only and form no part of the claimed design.

1 Claim, 4 Drawing Sheets



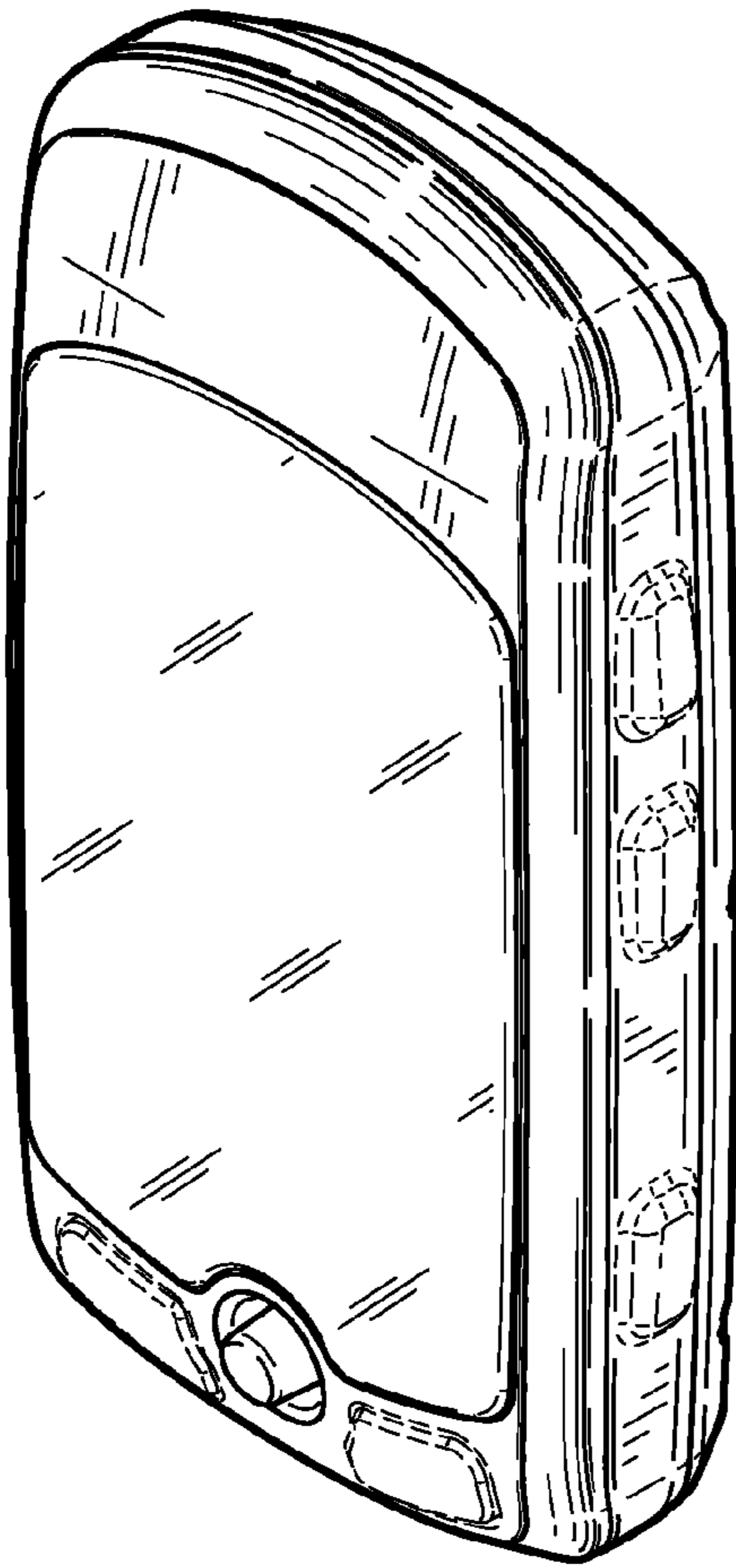


Fig. 1

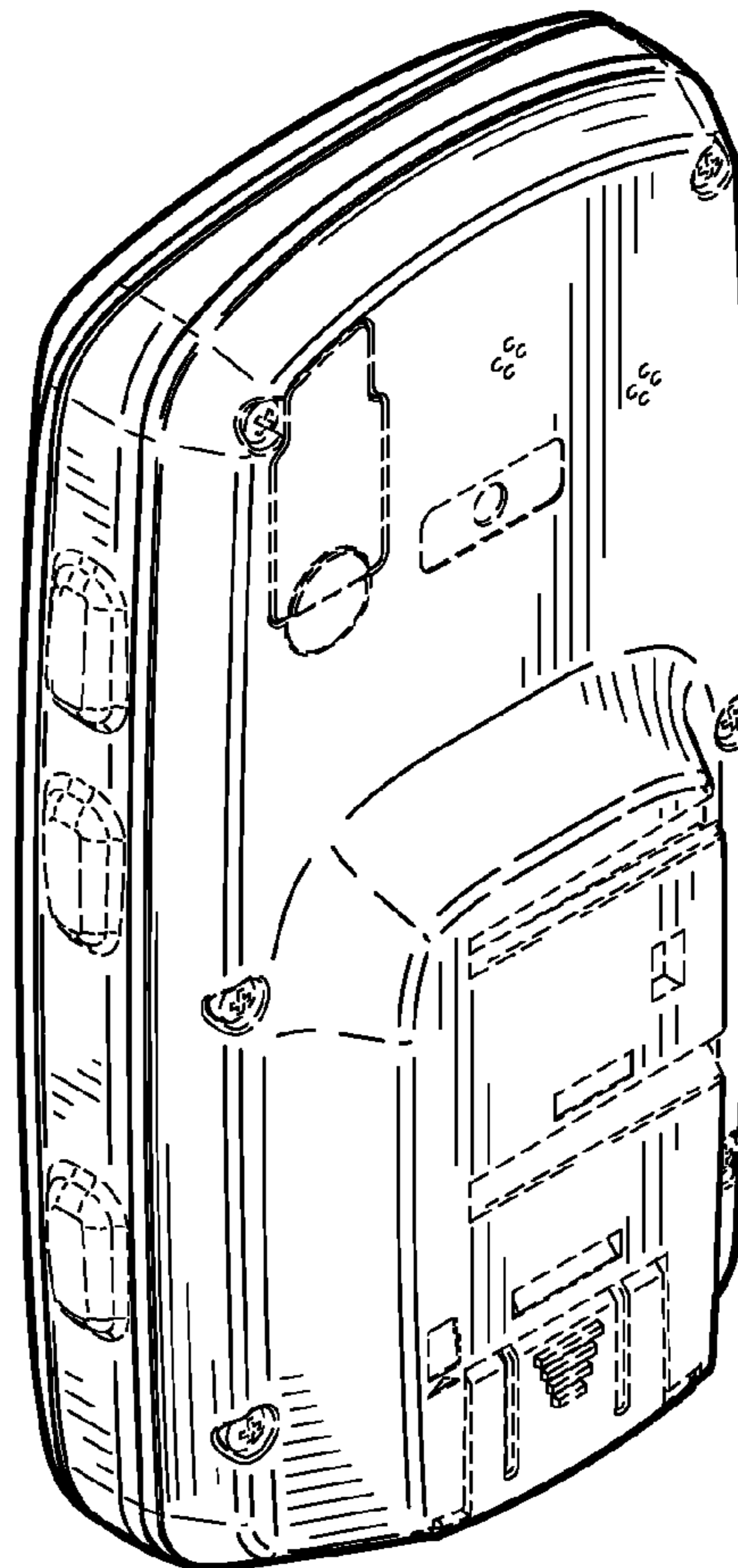


Fig. 2

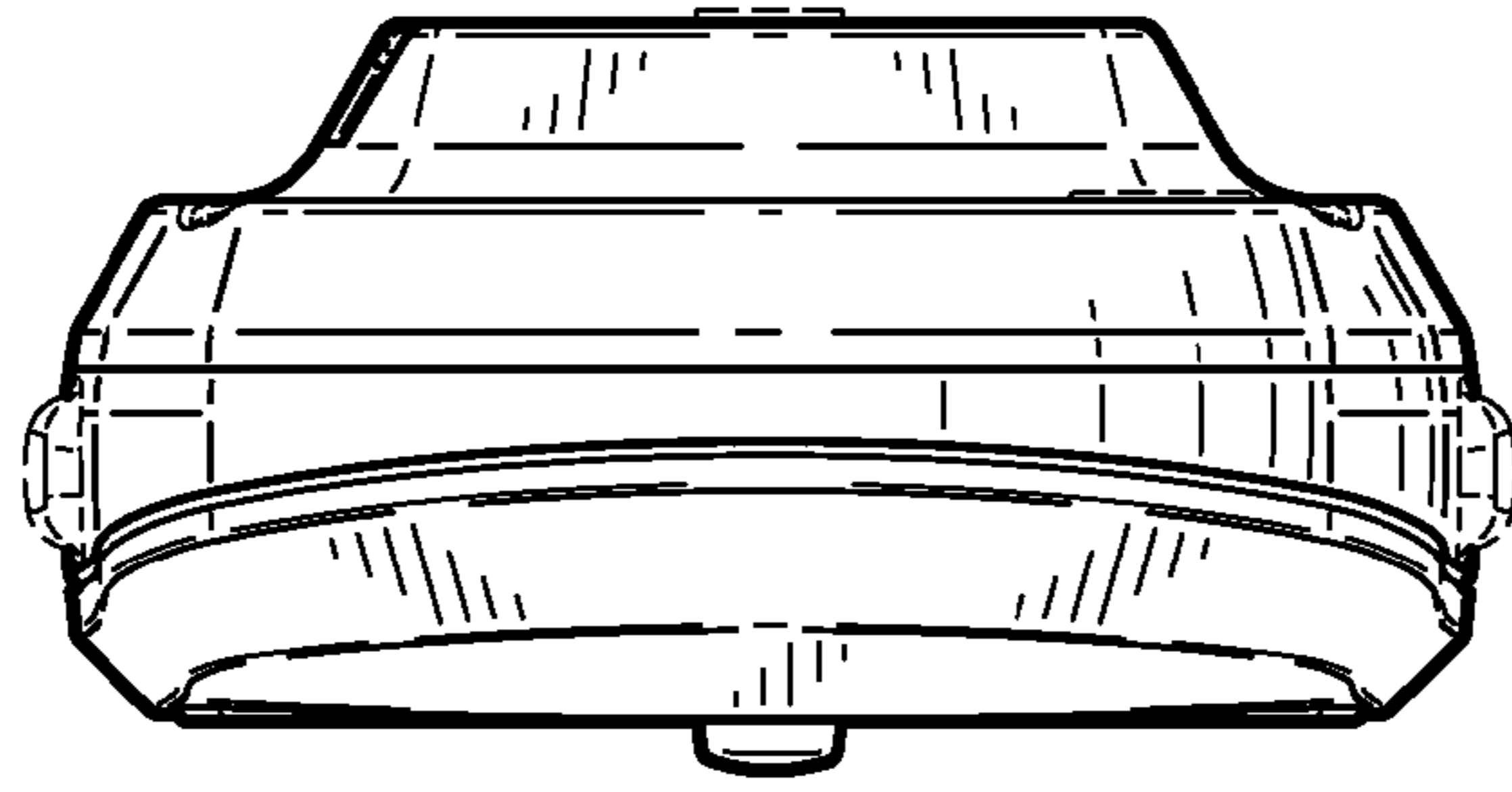


Fig. 3

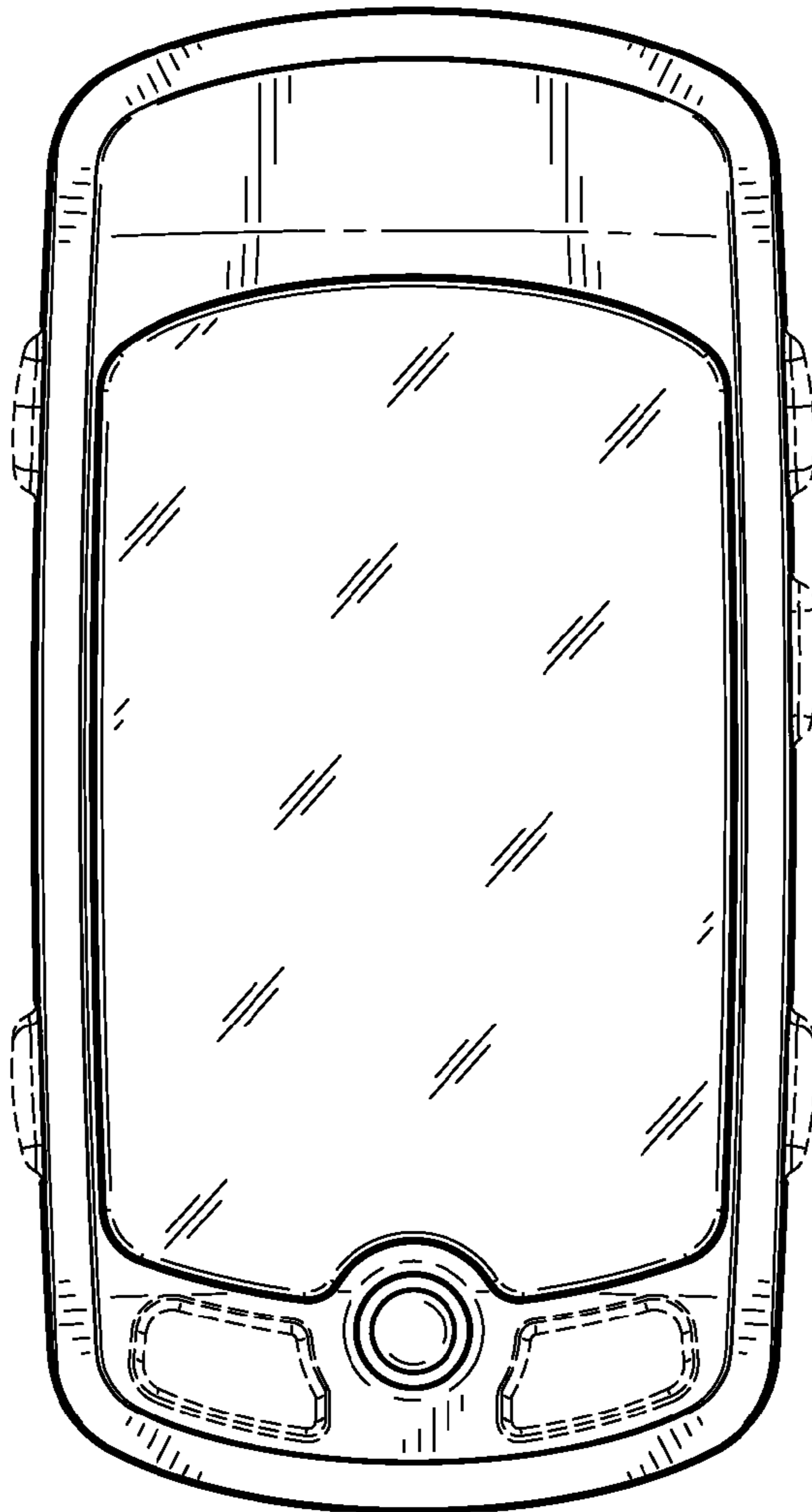


Fig. 4

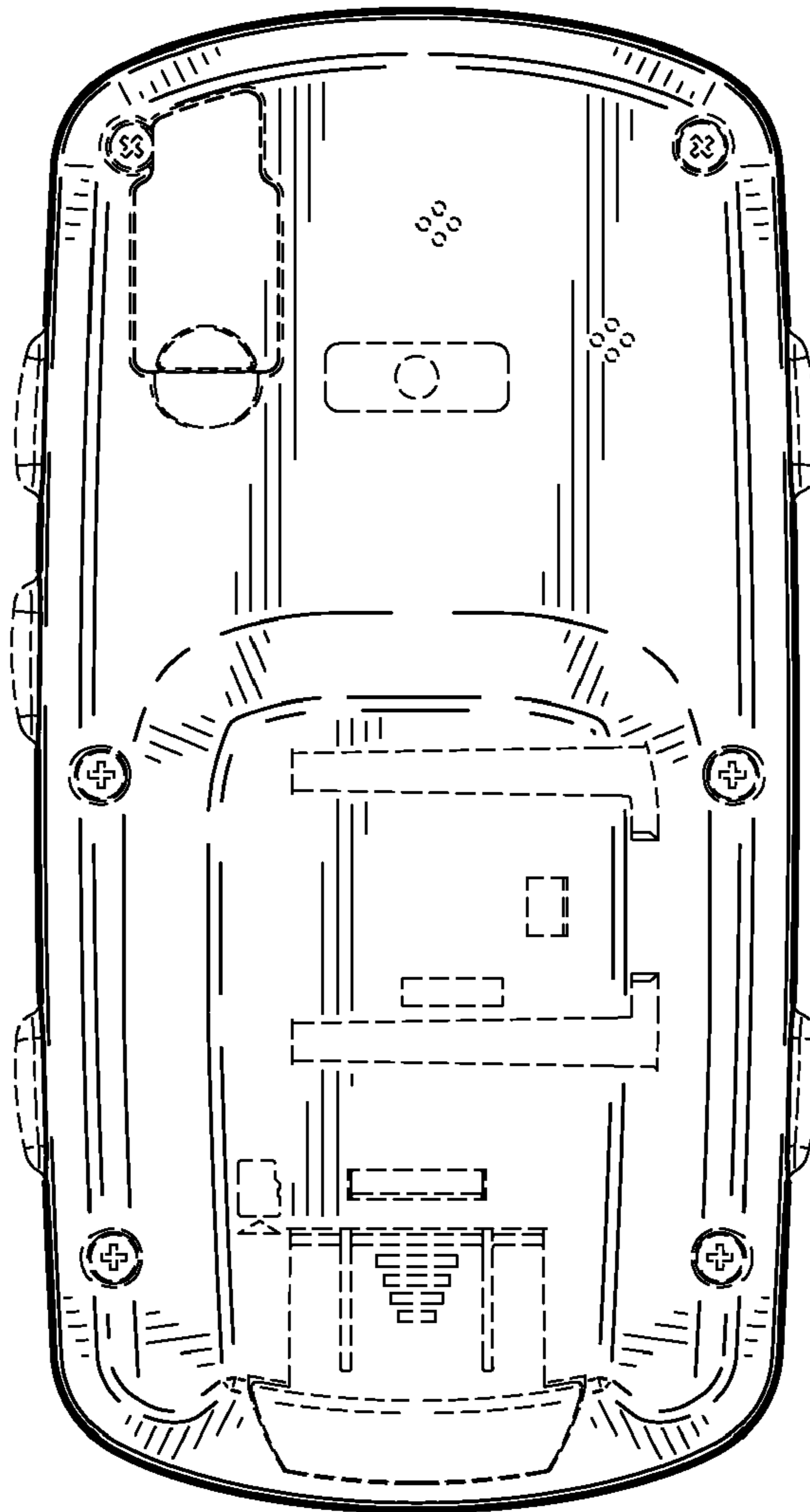


Fig. 5

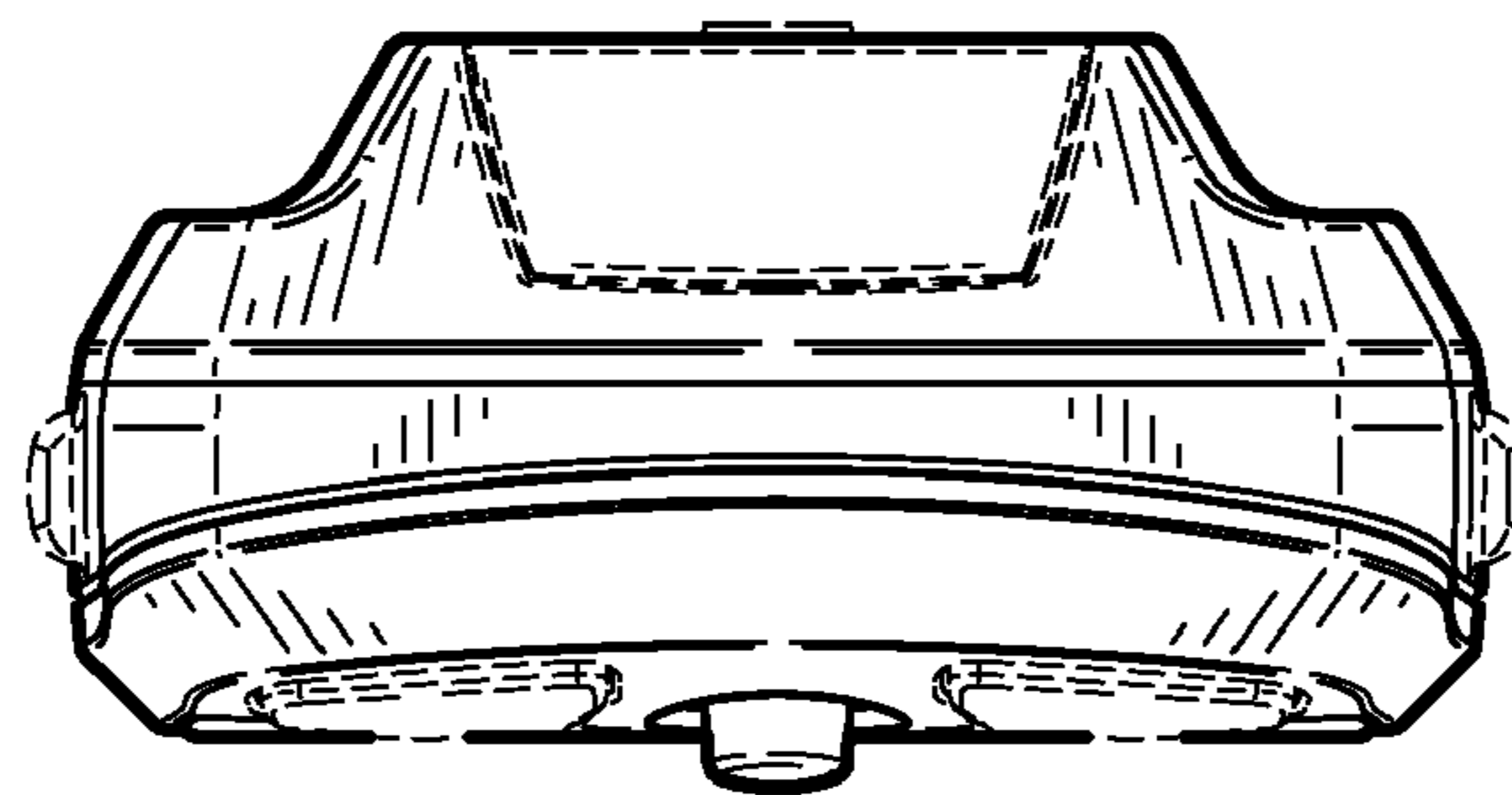


Fig. 6

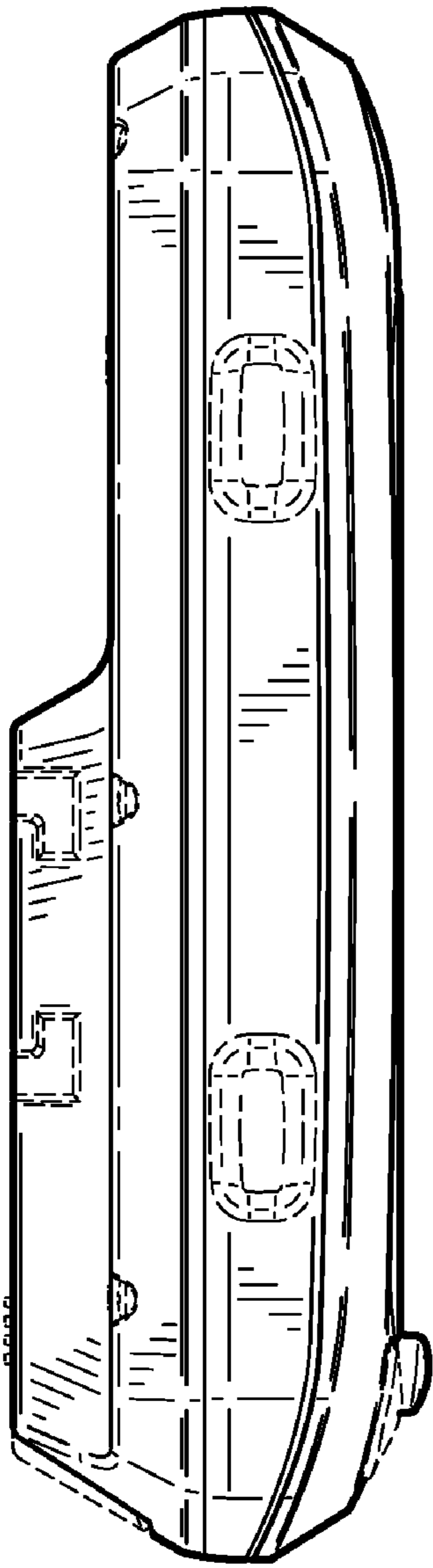


Fig. 7

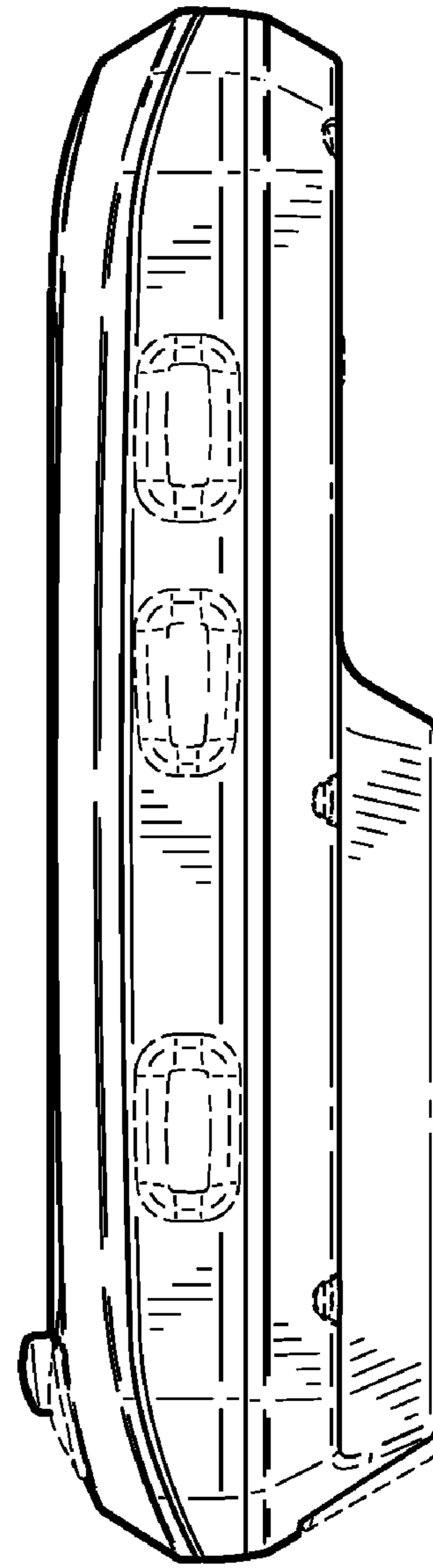


Fig. 8