



US00D594354S

(12) **United States Design Patent**
Disselkoen et al.

(10) **Patent No.:** **US D594,354 S**
(45) **Date of Patent:** **** Jun. 16, 2009**

(54) **SENSOR HOUSING**

Primary Examiner—Antoine D Davis

(75) Inventors: **Wesley Disselkoen**, Chicago, IL (US);
Keith Galle, Mount Prospect, IL (US)

(57) **CLAIM**

(73) Assignee: **Siemens Building Technologies, Inc.**,
Buffalo Grove, IL (US)

The ornamental design for a sensor housing, as shown and described.

(**) Term: **14 Years**

DESCRIPTION

(21) Appl. No.: **29/312,008**

(22) Filed: **Sep. 25, 2008**

(51) **LOC (9) Cl.** **10-04**

(52) **U.S. Cl.** **D10/50**

(58) **Field of Classification Search** D10/49-50;
236/5, 46 R-46 F, 47, 49.3, 51, 84, 94; 340/7.21-7.24,
340/7.32, 825.6, 825.72, 539.1, 539.14, 539.21,
340/539.26, 426.21, 584.589, 870.17; 374/167;
400/485; 455/420, 226.1

See application file for complete search history.

FIG. 1 is an elevational perspective view showing the design for the sensor housing showing our new design;

FIG. 2 is a top elevational view showing the design for the sensor housing;

FIG. 3 is a bottom elevational view showing the design for the sensor housing;

FIG. 4 is a right side elevational view showing the design for the sensor housing;

FIG. 5 is a left side elevational view showing the design for the sensor housing; and,

FIG. 6 is a front end elevational view showing the design for the sensor housing, with the rear end elevational view being identical.

The broken line showing of structural features is included for the purpose of illustrating non claimed subject matter and forms no part of the claimed design.

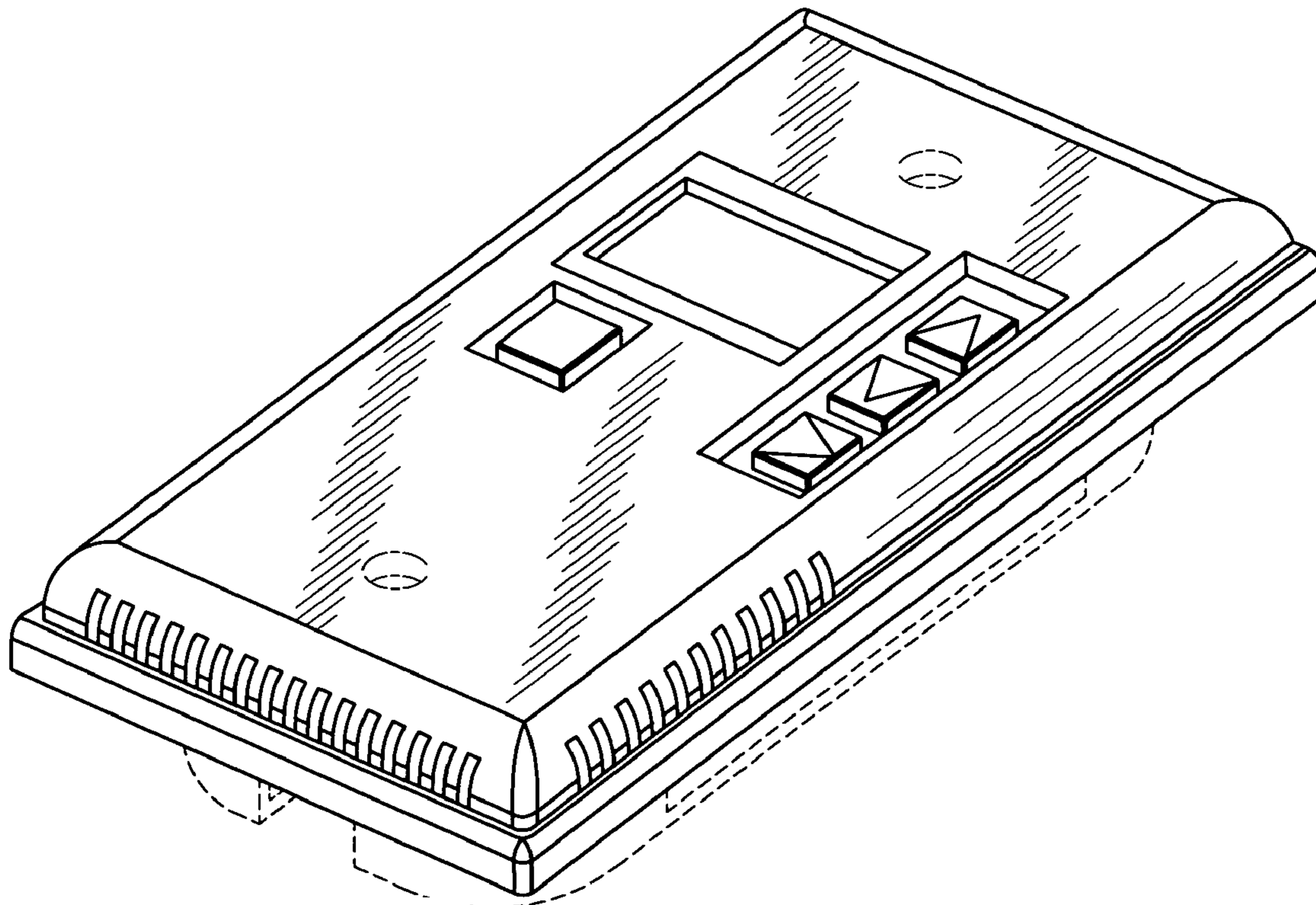
(56) **References Cited**

U.S. PATENT DOCUMENTS

- D533,091 S * 12/2006 Garrett et al. D10/50
- 7,299,996 B2 * 11/2007 Garrett et al. 236/94
- D558,073 S * 12/2007 Simon et al. D10/50
- D571,675 S * 6/2008 Skaf et al. D10/50

* cited by examiner

1 Claim, 3 Drawing Sheets



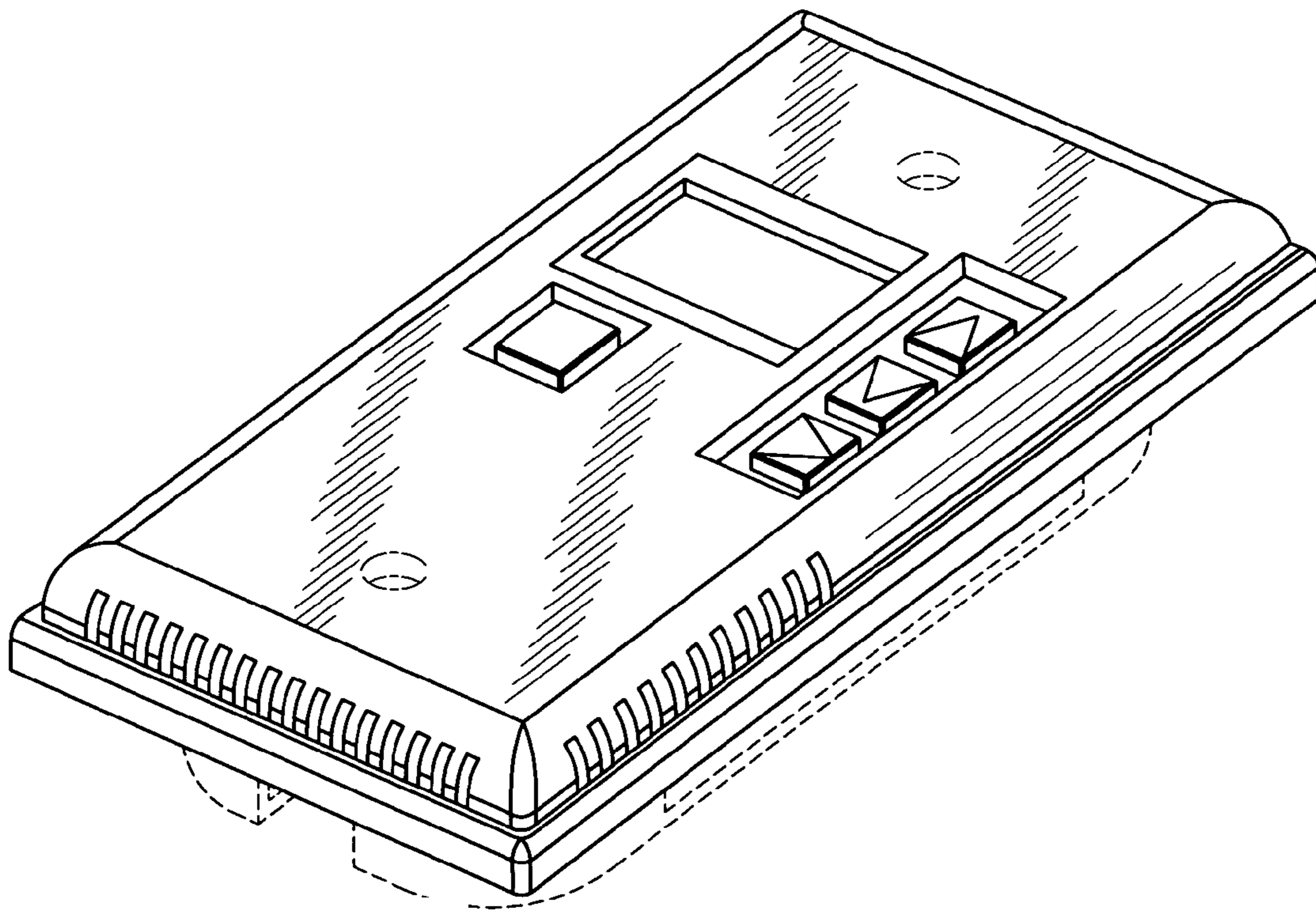


Fig. 1

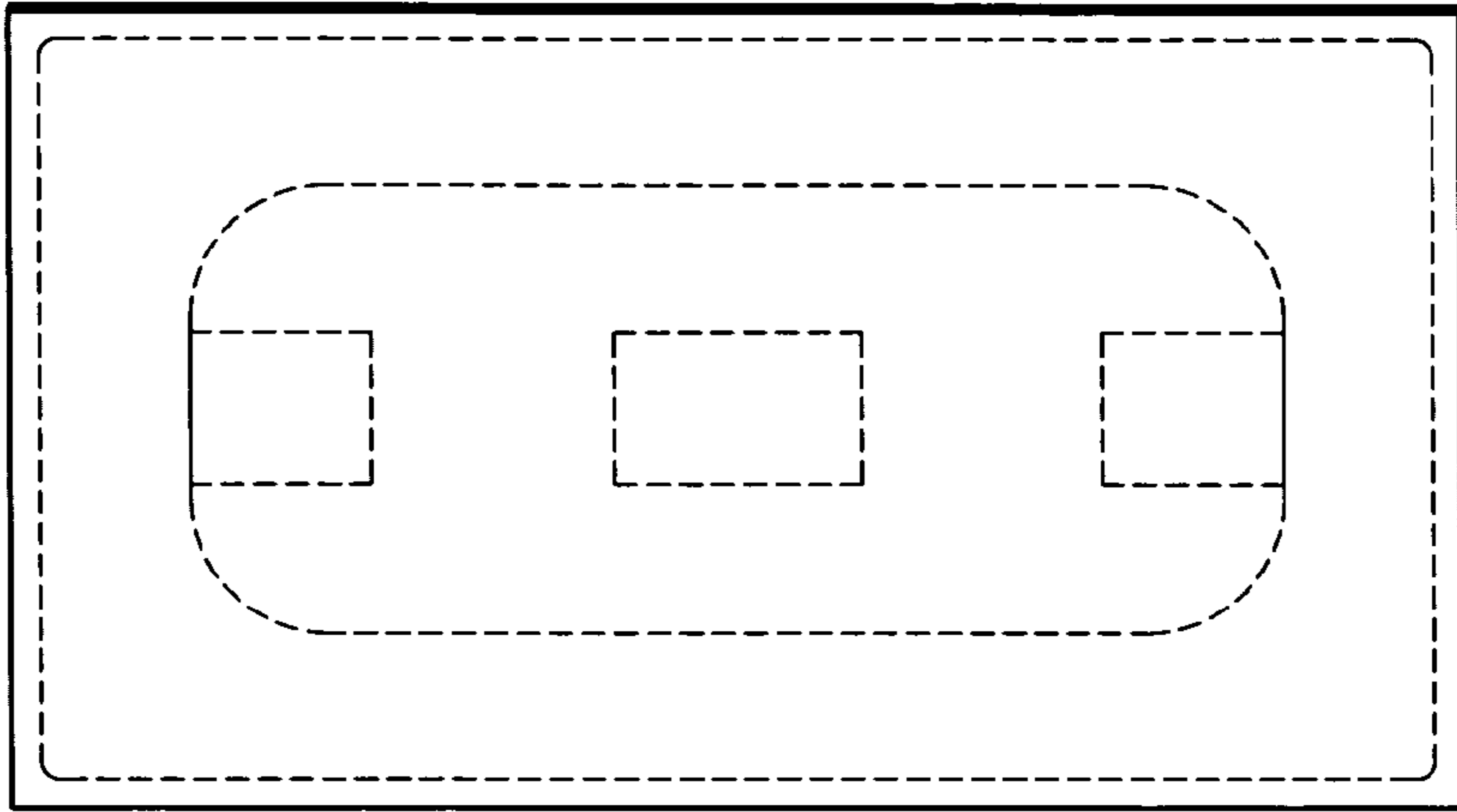


Fig. 3

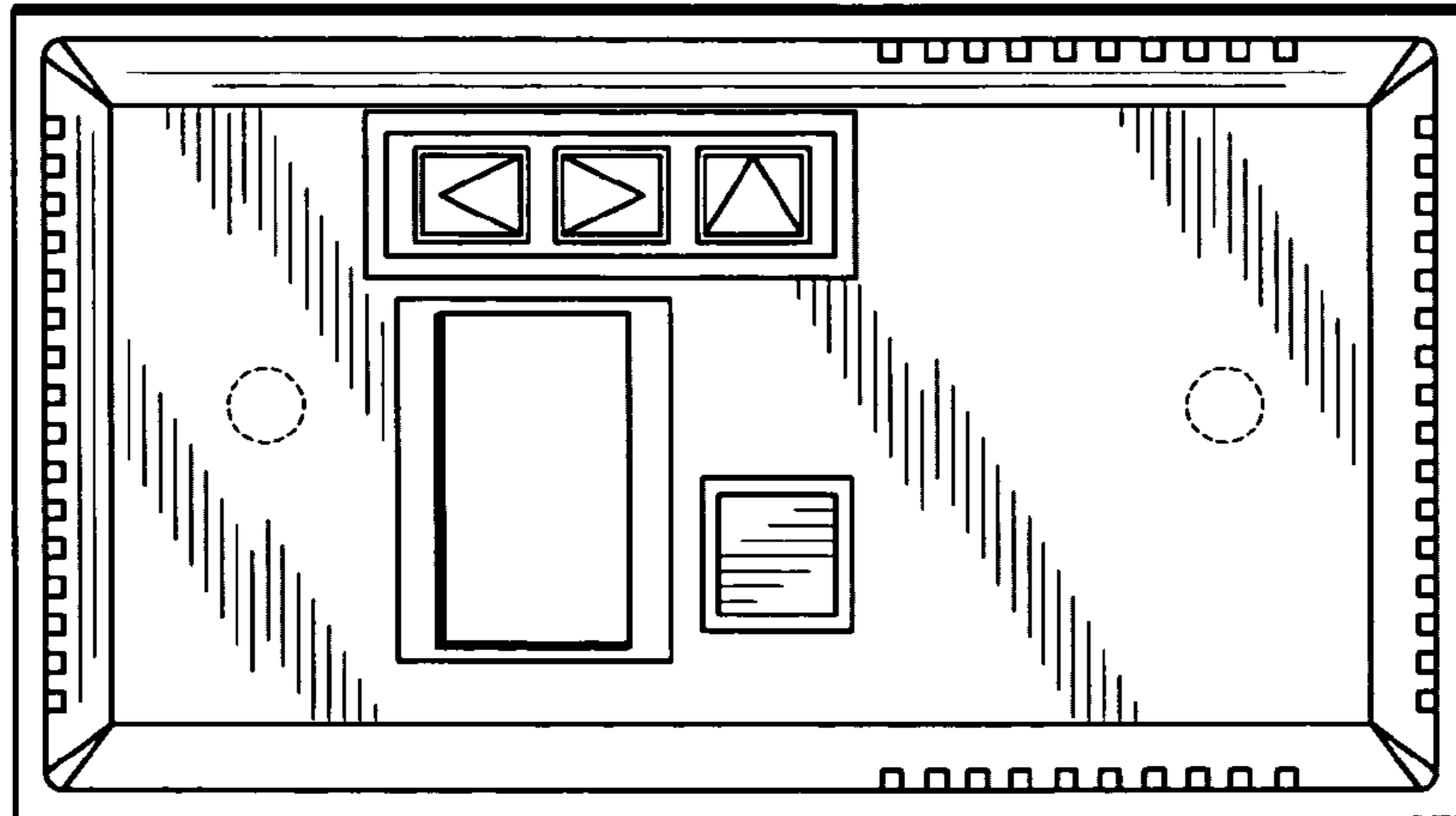


Fig. 2

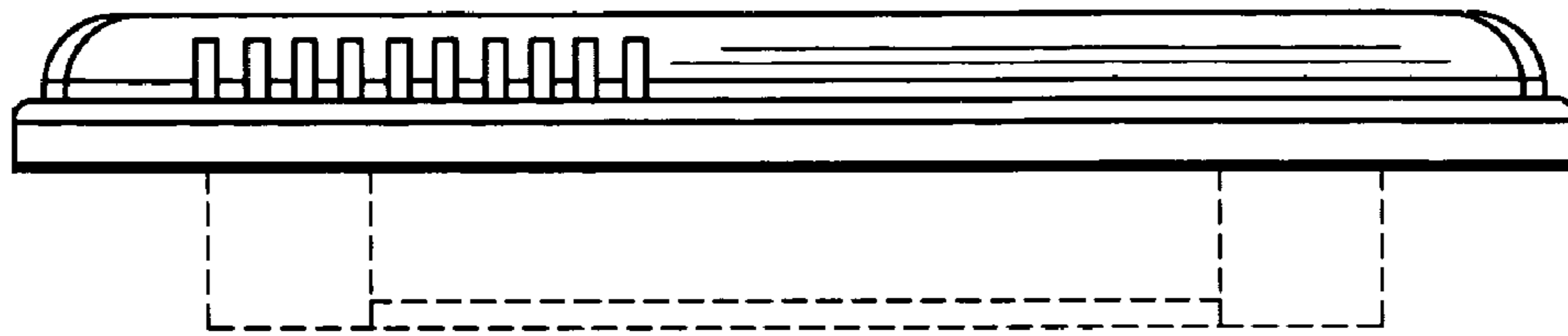


Fig. 4

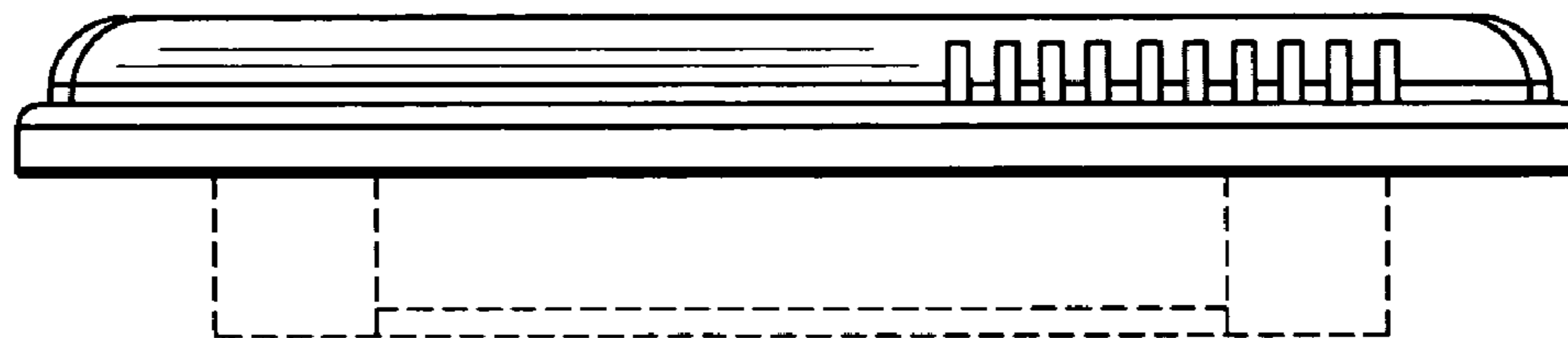


Fig. 5

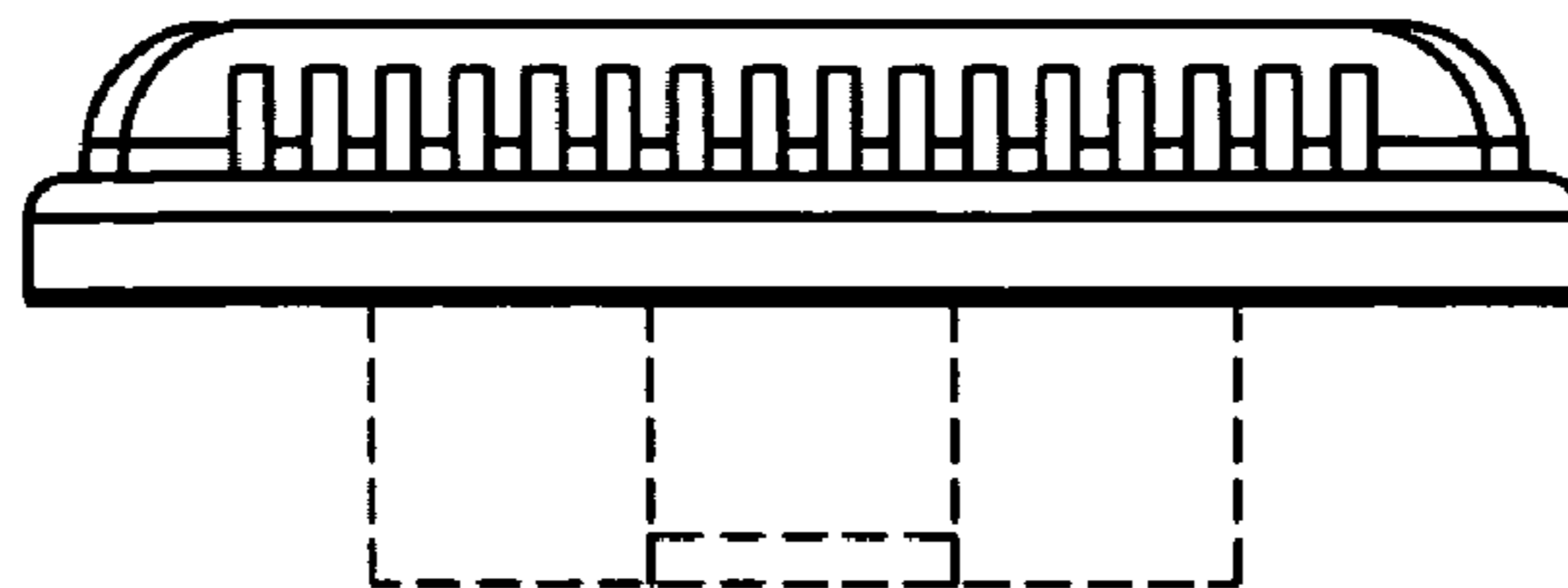


Fig. 6