



US00D594353S

(12) **United States Design Patent**  
**Kortleven**

(10) **Patent No.:** **US D594,353 S**  
(45) **Date of Patent:** **\*\* Jun. 16, 2009**

(54) **MEASURING SPOON**

(75) Inventor: **Hanno Kortleven**, Rotselaar (BE)

(73) Assignee: **Dart Industries Inc.**, Orlando, FL (US)

(\*\*) Term: **14 Years**

(21) Appl. No.: **29/310,009**

(22) Filed: **Jul. 22, 2008**

(51) **LOC (9) Cl.** ..... **10-04**

(52) **U.S. Cl.** ..... **D10/46.3**

(58) **Field of Classification Search** ..... D7/691,  
D7/692; D10/46.2, 46.3; 30/324-328; 73/426-429;  
294/55

See application file for complete search history.

(56) **References Cited**

**U.S. PATENT DOCUMENTS**

D92,118 S	4/1934	Stuart	
D156,850 S	1/1950	Shirley	
2,654,252 A *	10/1953	Davis	73/426
2,683,374 A	7/1954	Finley	
D228,722 S	10/1973	Grimes	
D239,907 S *	5/1976	Olsson	D10/46.3
D247,412 S	3/1978	Montesi	
D247,869 S	5/1978	Montesi	
D256,311 S	8/1980	Daenen	
D285,399 S *	9/1986	Dilot	D7/653

D304,404 S *	11/1989	Bounds	D10/46.3
5,460,042 A *	10/1995	Tucker	73/429
D394,014 S	5/1998	Laib	
D452,177 S *	12/2001	McGuyer	D10/46.3
D484,425 S *	12/2003	Settele	D10/46.3
D494,877 S *	8/2004	Kempe et al.	D10/46.3

\* cited by examiner

*Primary Examiner*—Terry A Wallace

(74) *Attorney, Agent, or Firm*—John A. Doninger

(57) **CLAIM**

The ornamental design for a measuring spoon, as shown and described.

**DESCRIPTION**

FIG. 1 is a top, side and front perspective view of a measuring spoon showing my new design;

FIG. 2 is a bottom, side and rear perspective view thereof;

FIG. 3 is a front elevation view thereof;

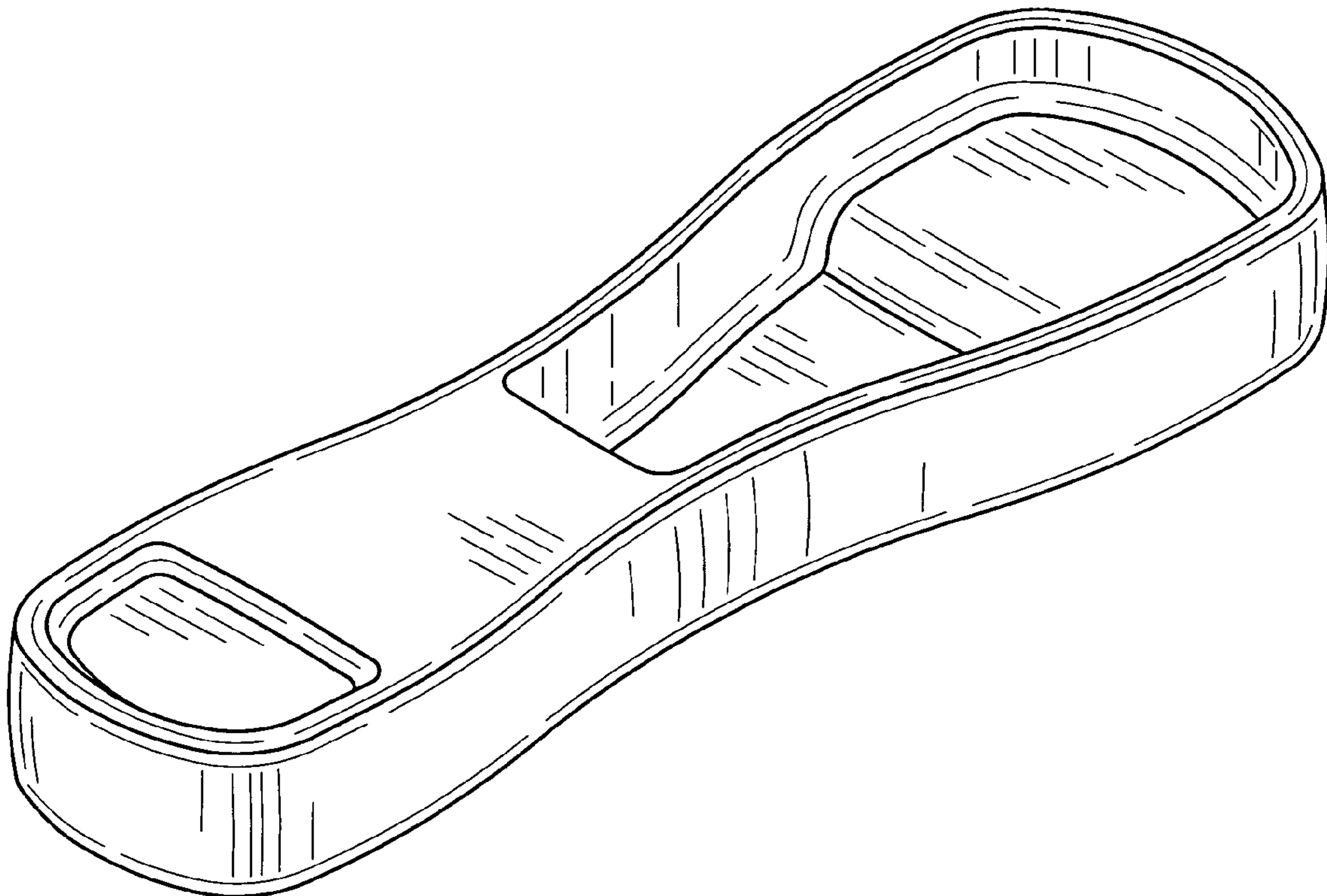
FIG. 4 is a rear elevation view thereof;

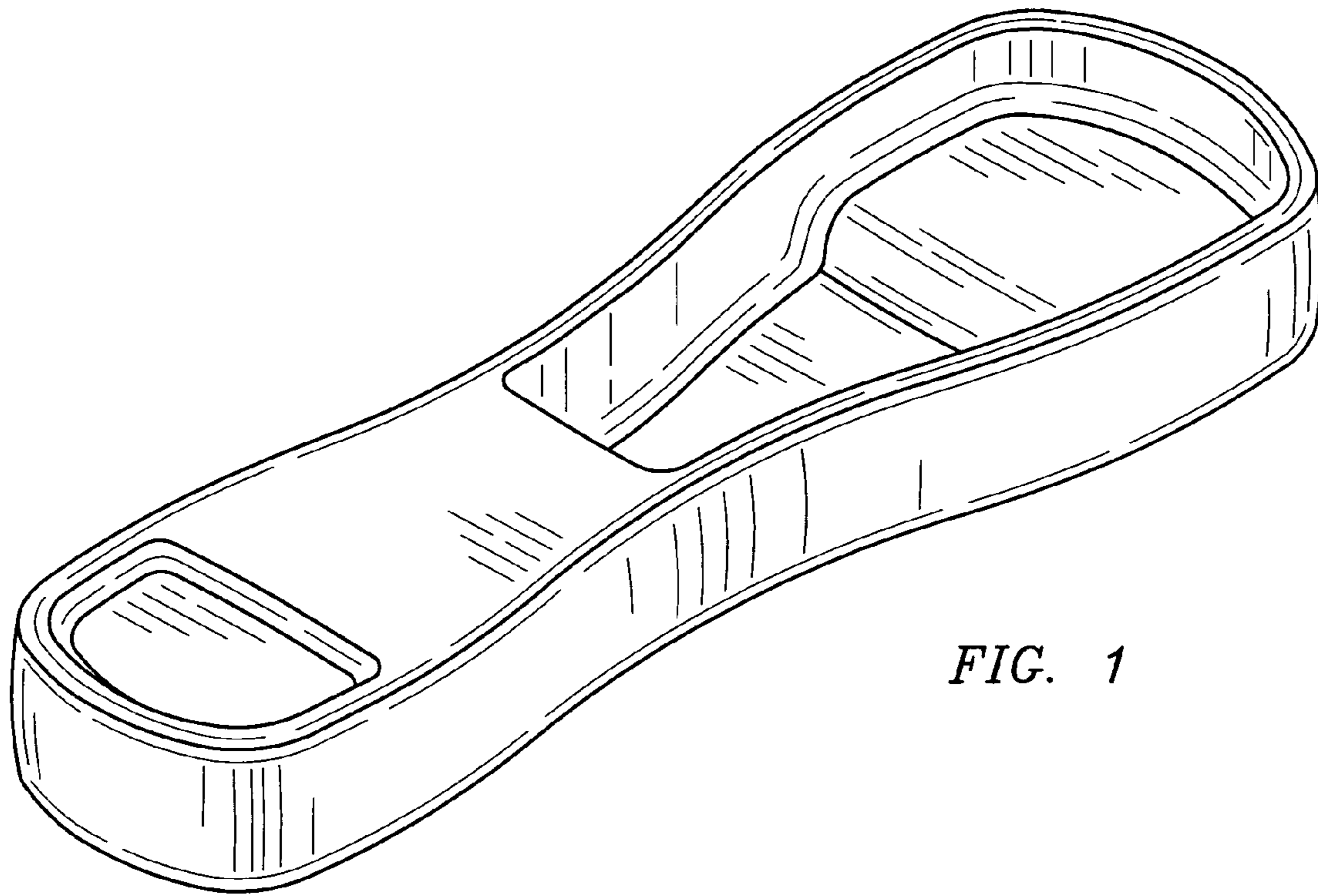
FIG. 5 is a right side elevation view, the left side being a mirror image thereof;

FIG. 6 is a top plan view thereof; and,

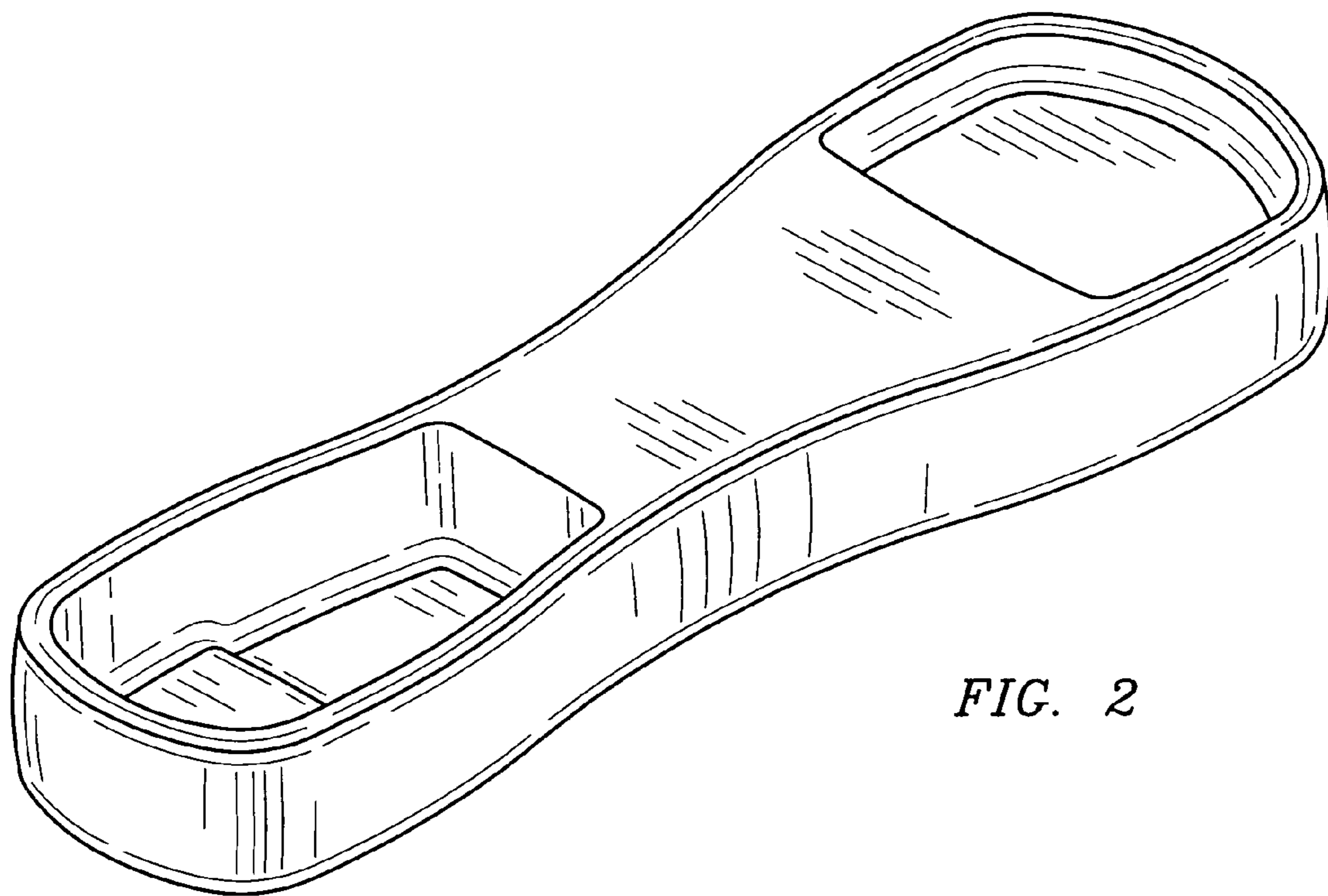
FIG. 7 is a bottom plan view thereof.

**1 Claim, 3 Drawing Sheets**

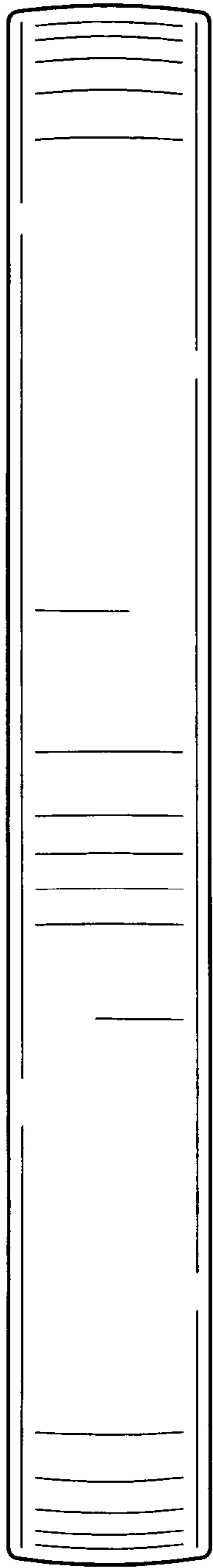




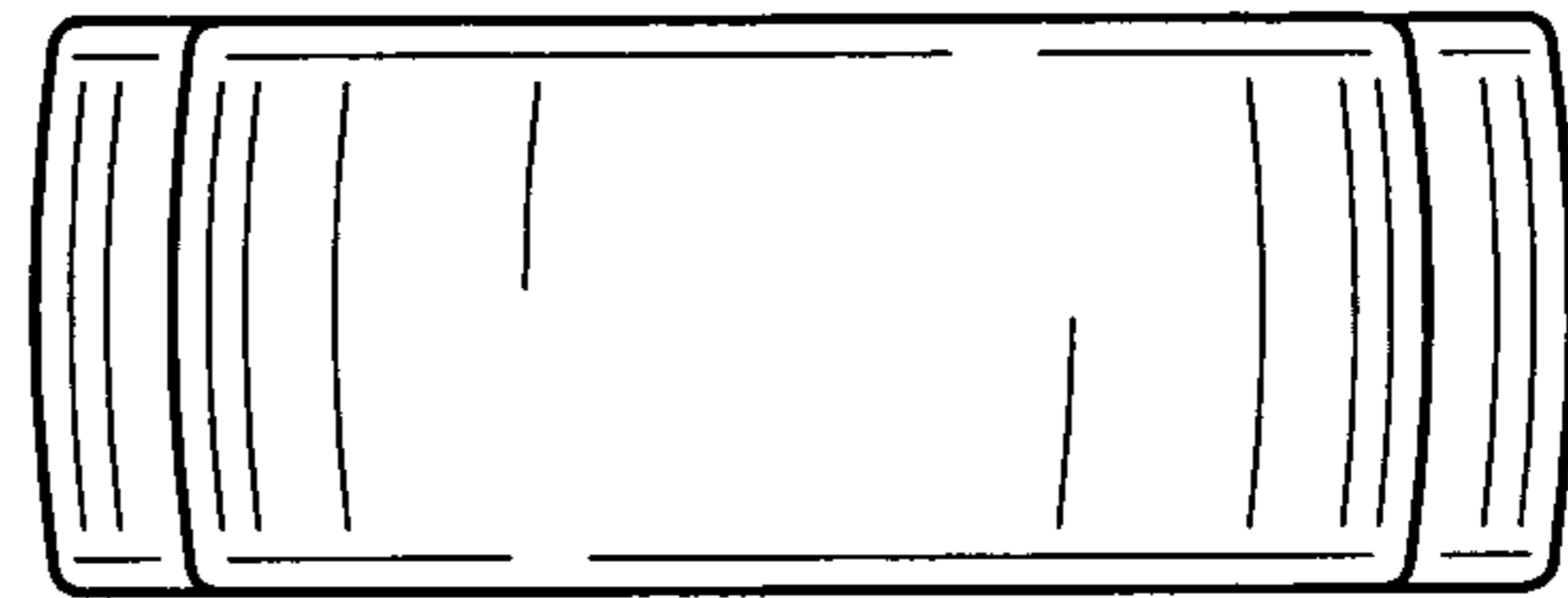
*FIG. 1*



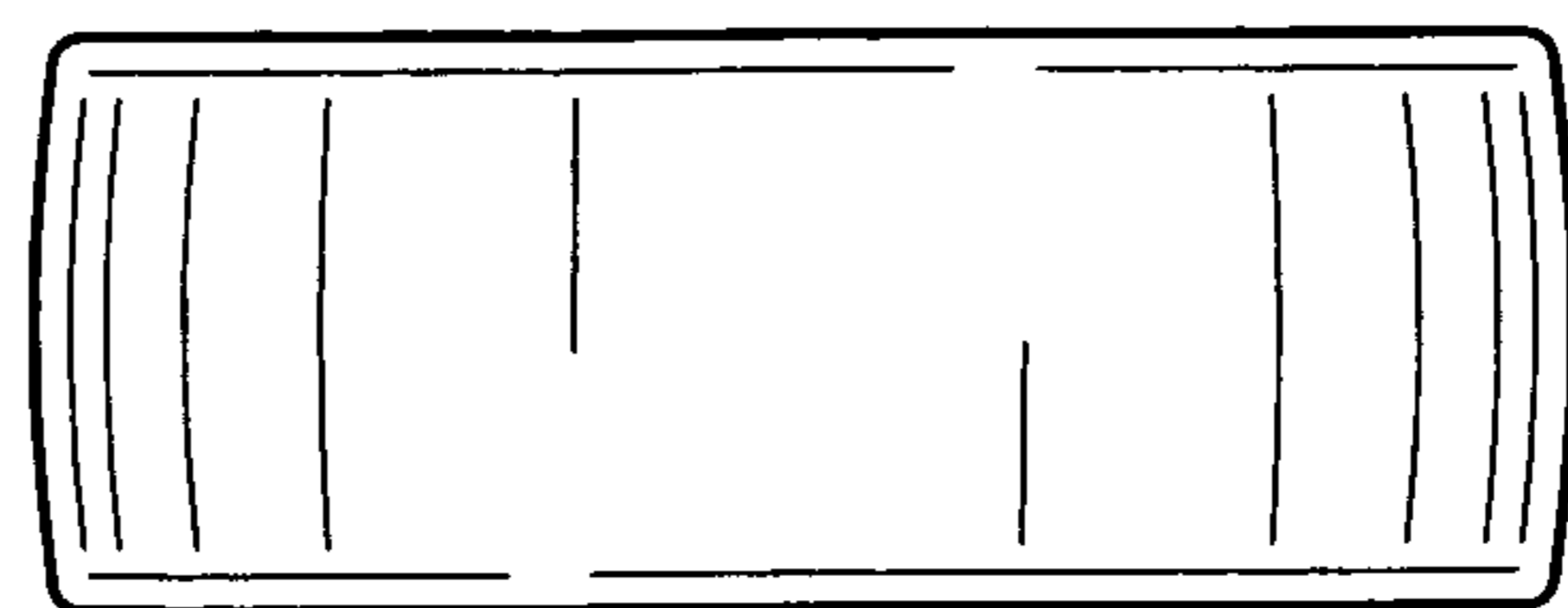
*FIG. 2*



*FIG. 5*



*FIG. 3*



*FIG. 4*

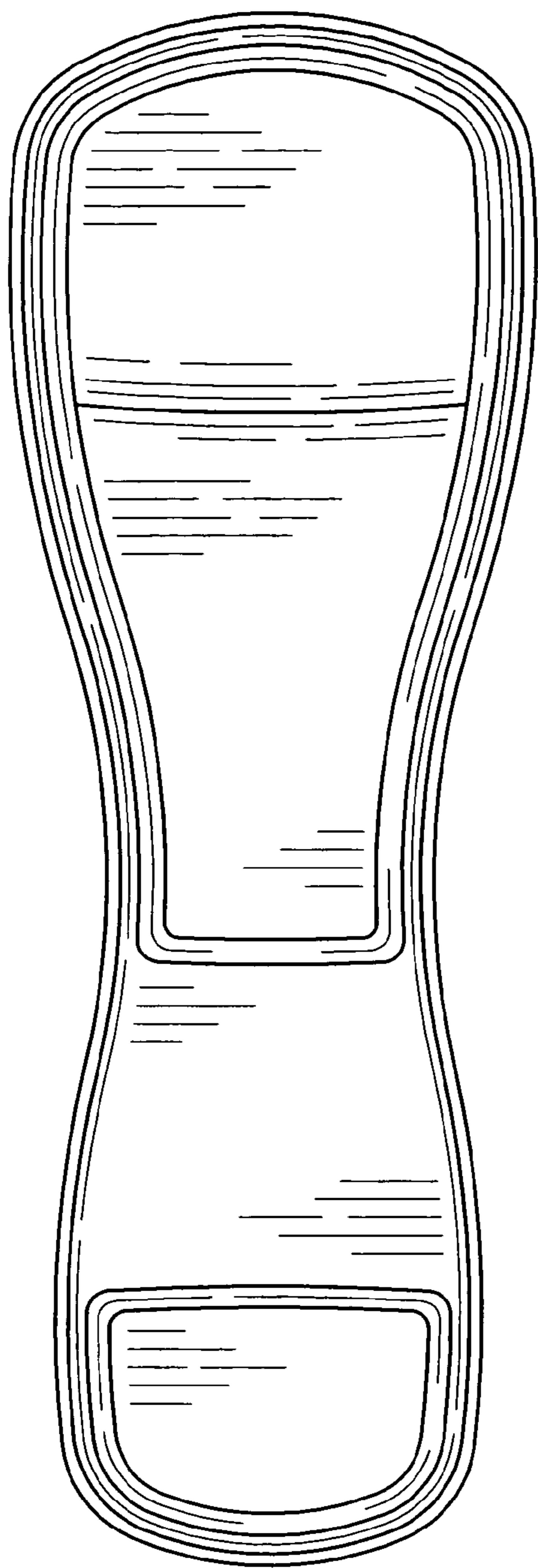


FIG. 6

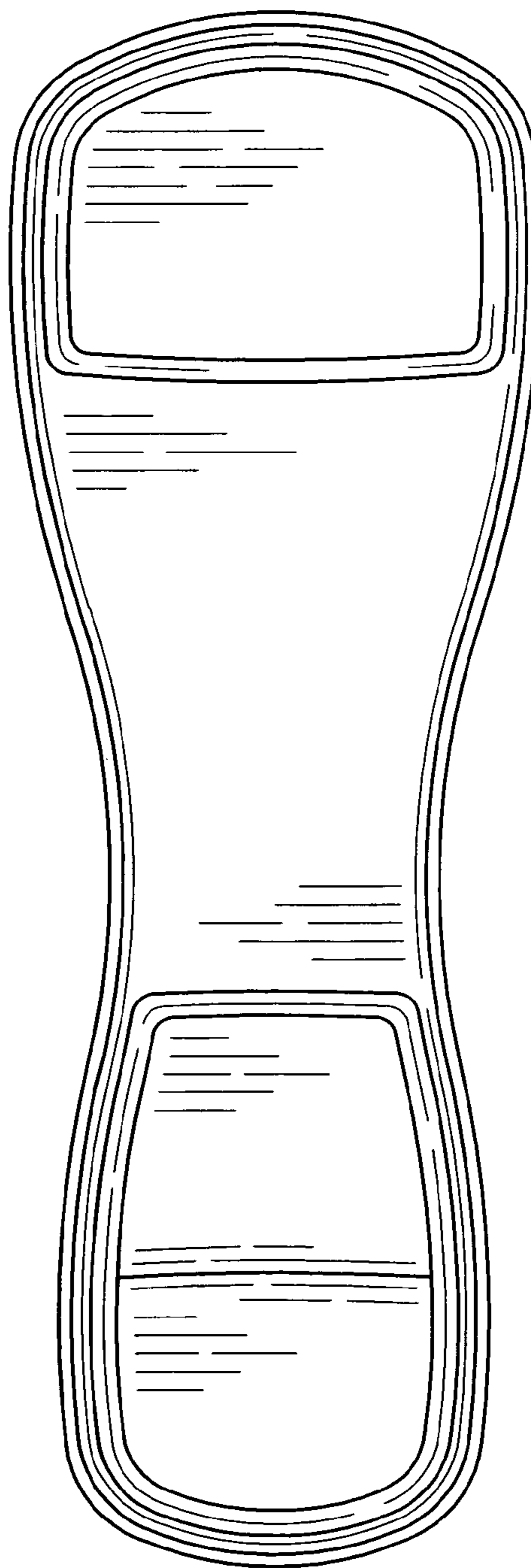


FIG. 7