



US00D594352S

(12) **United States Design Patent**
Belamich

(10) **Patent No.:** **US D594,352 S**

(45) **Date of Patent:** **** Jun. 16, 2009**

(54) **WATCH**

D568,181 S * 5/2008 Rabassa D10/39
D577,611 S * 9/2008 Lalo D10/32
D578,412 S * 10/2008 Belamich D10/39

(75) Inventor: **Bruno Belamich**, Paris (FR)

(73) Assignee: **Bell & Ross B.V.**, Zoetermeer (NL)

(**) Term: **14 Years**

(21) Appl. No.: **29/325,124**

(22) Filed: **Sep. 25, 2008**

(51) **LOC (9) Cl.** **10-01**

(52) **U.S. Cl.** **D10/39**

(58) **Field of Classification Search** D10/30-39,
D10/122-132; 368/276, 281, 282, 285, 80,
368/223, 232, 228, 21

See application file for complete search history.

(56) **References Cited**

U.S. PATENT DOCUMENTS

2,232,300	A *	2/1941	Arbey	368/228
D202,061	S *	8/1965	Montese-Caruso	D10/38
3,395,531	A *	8/1968	Caprara	368/291
4,218,873	A *	8/1980	Lang	368/281
D317,871	S *	7/1991	Applegate, Jr.	D10/30
D473,802	S *	4/2003	Berliat	D10/39
6,587,400	B1 *	7/2003	Line	368/88
D486,077	S *	2/2004	de Baschmakoff	D10/39
D531,524	S *	11/2006	Behling	D10/38
D537,371	S *	2/2007	Belamich	D10/39
D566,585	S *	4/2008	Belamich	D10/39

* cited by examiner

Primary Examiner—Lucy Lieberman

(74) *Attorney, Agent, or Firm*—Jeffer Mangels; Butler & Marmaro LLP

(57) **CLAIM**

The ornamental design for a watch, as shown and described.

DESCRIPTION

FIG. 1 is a perspective view of the present invention;

FIG. 2 is a front elevational view of the present invention shown in FIG. 1;

FIG. 3 is a left side elevational view of the present invention shown in FIG. 1;

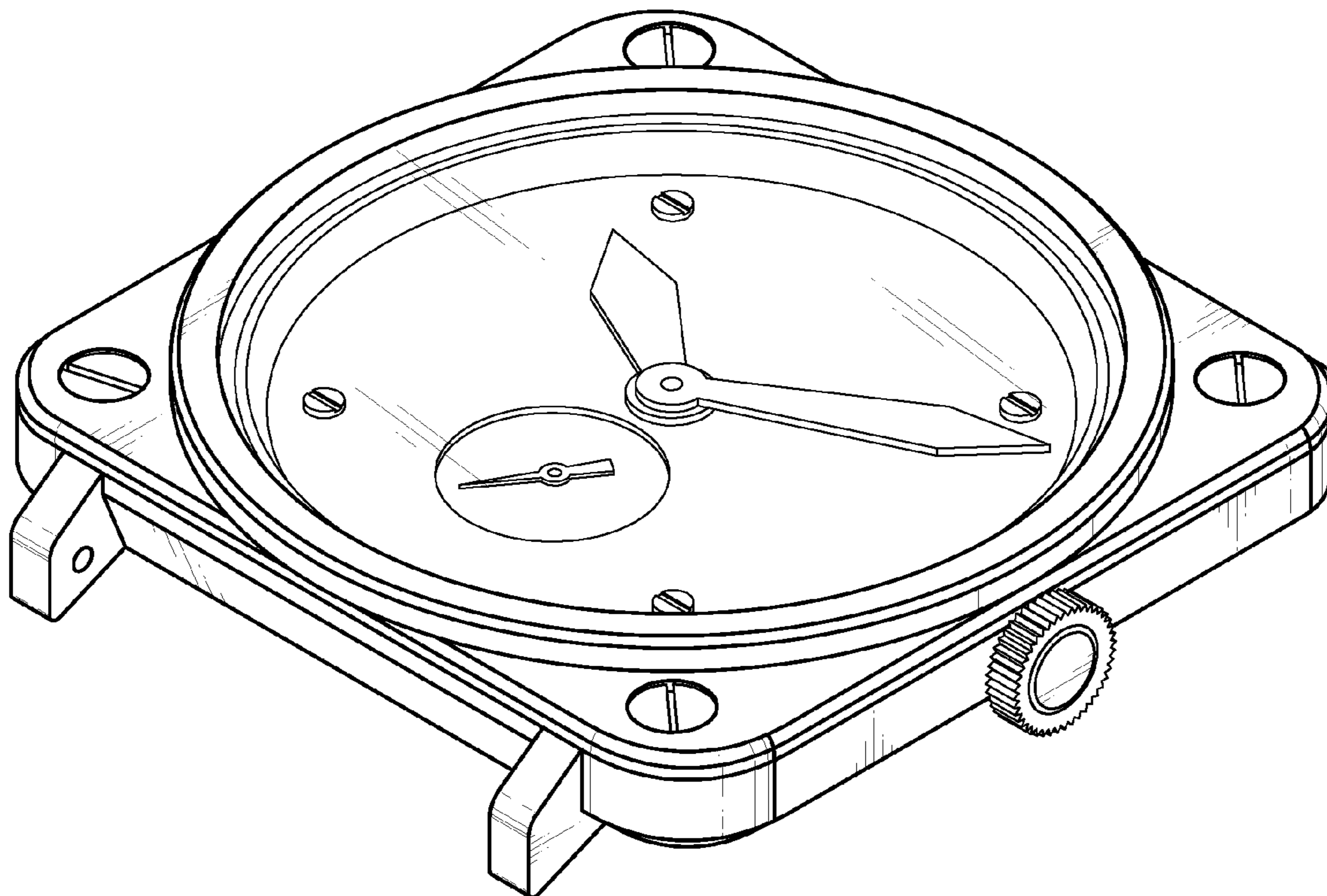
FIG. 4 is a right side elevational view of the present invention shown in FIG. 1;

FIG. 5 is a top plan view of the present invention shown in FIG. 1;

FIG. 6 is a bottom plan view of the present invention shown in FIG. 1; and,

FIG. 7 is a rear elevational view of the present invention shown in FIG. 1.

1 Claim, 5 Drawing Sheets



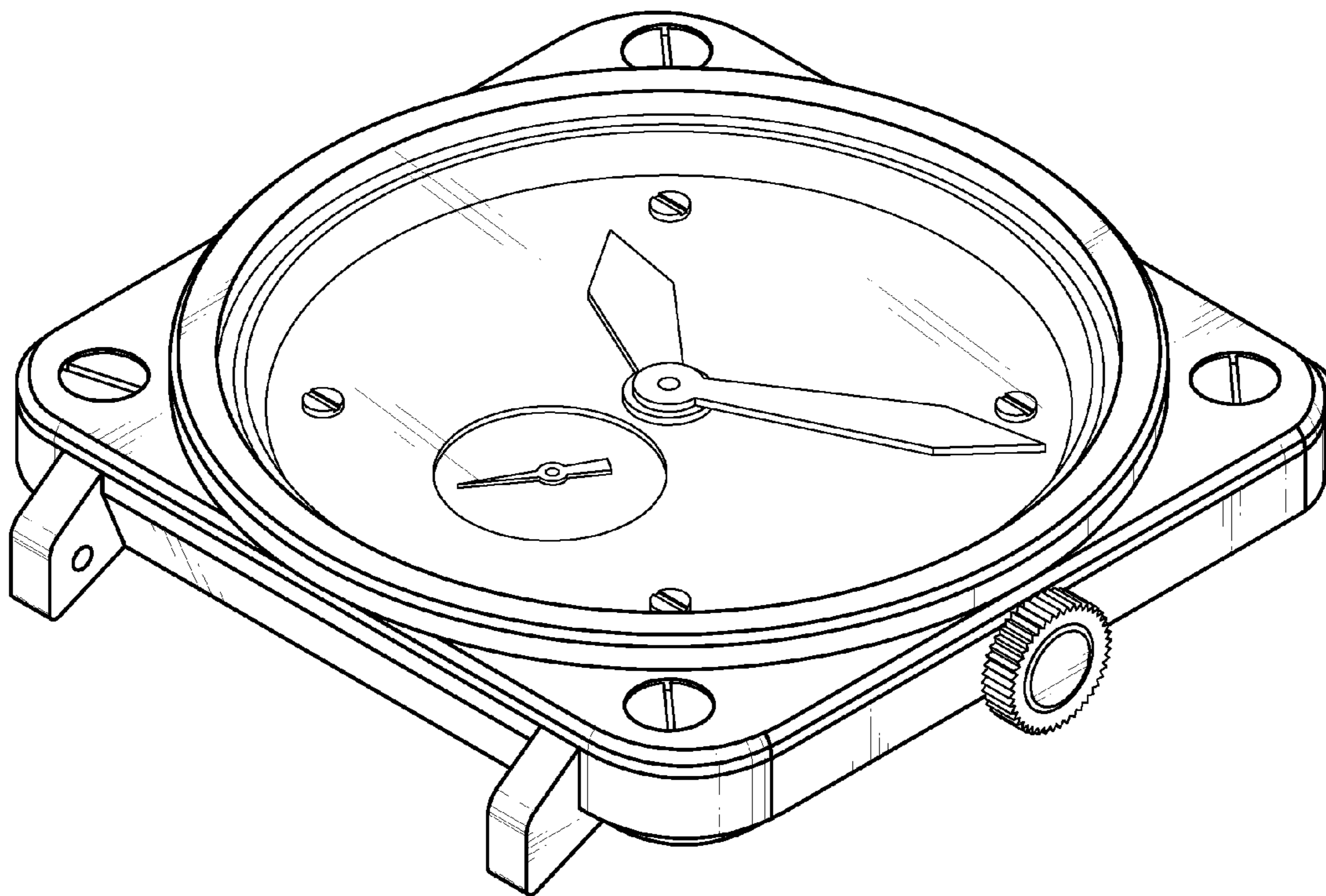


FIG. 1

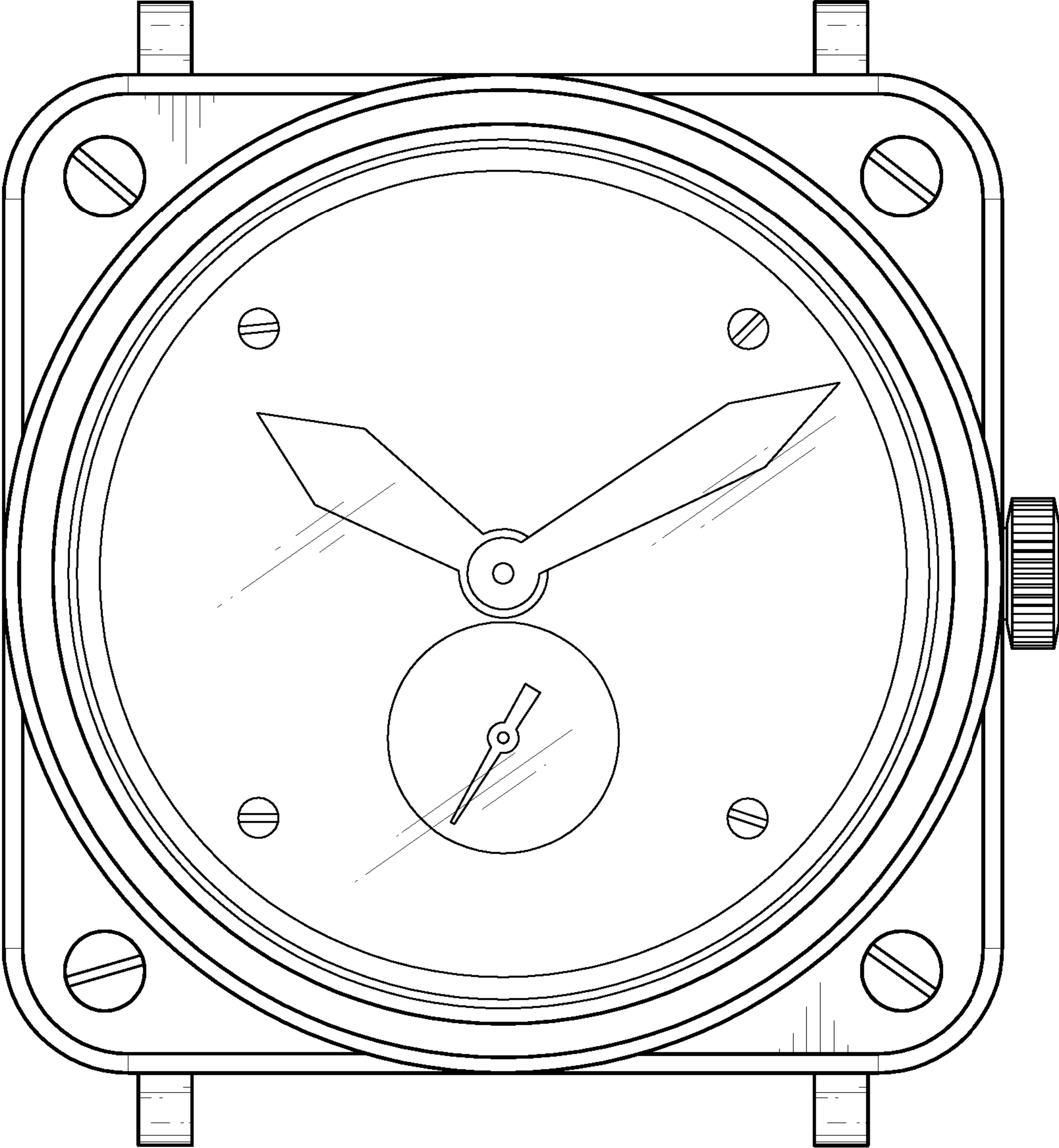


FIG. 2

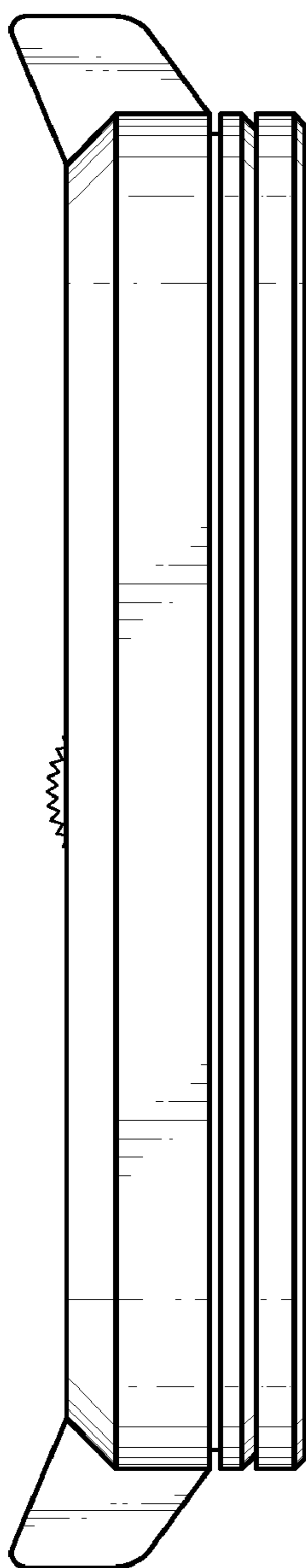


FIG. 3

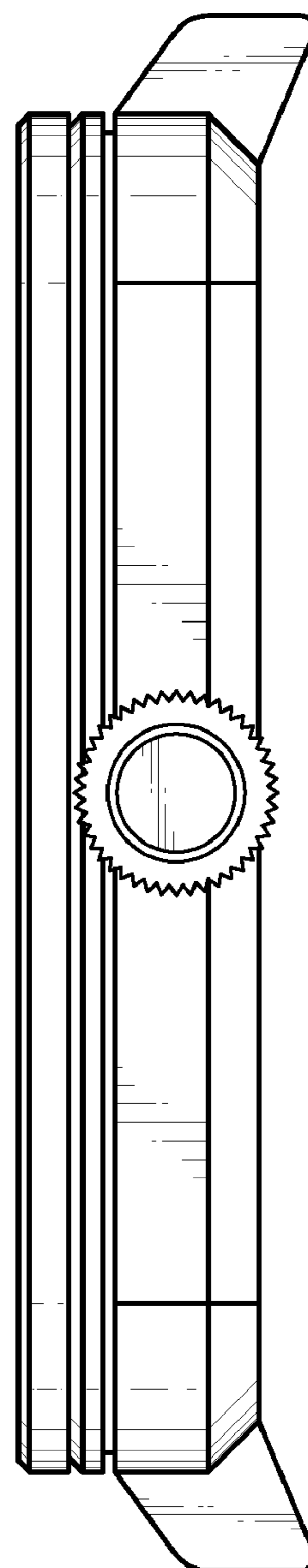


FIG. 4

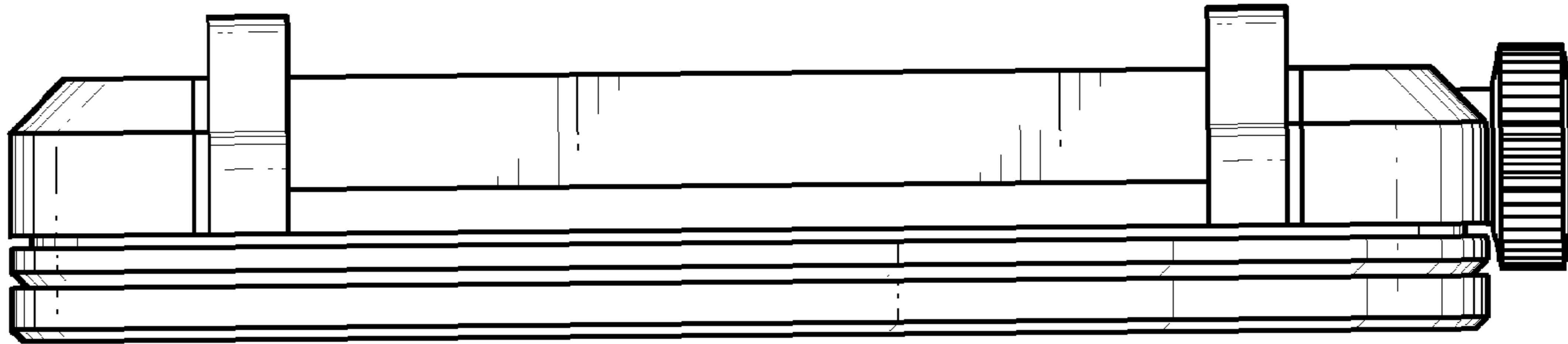


FIG. 5

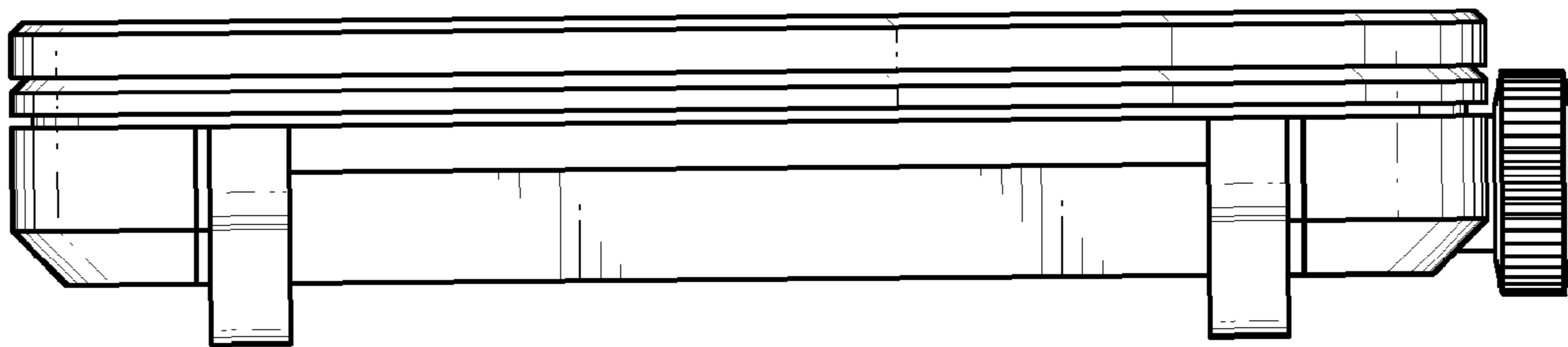


FIG. 6

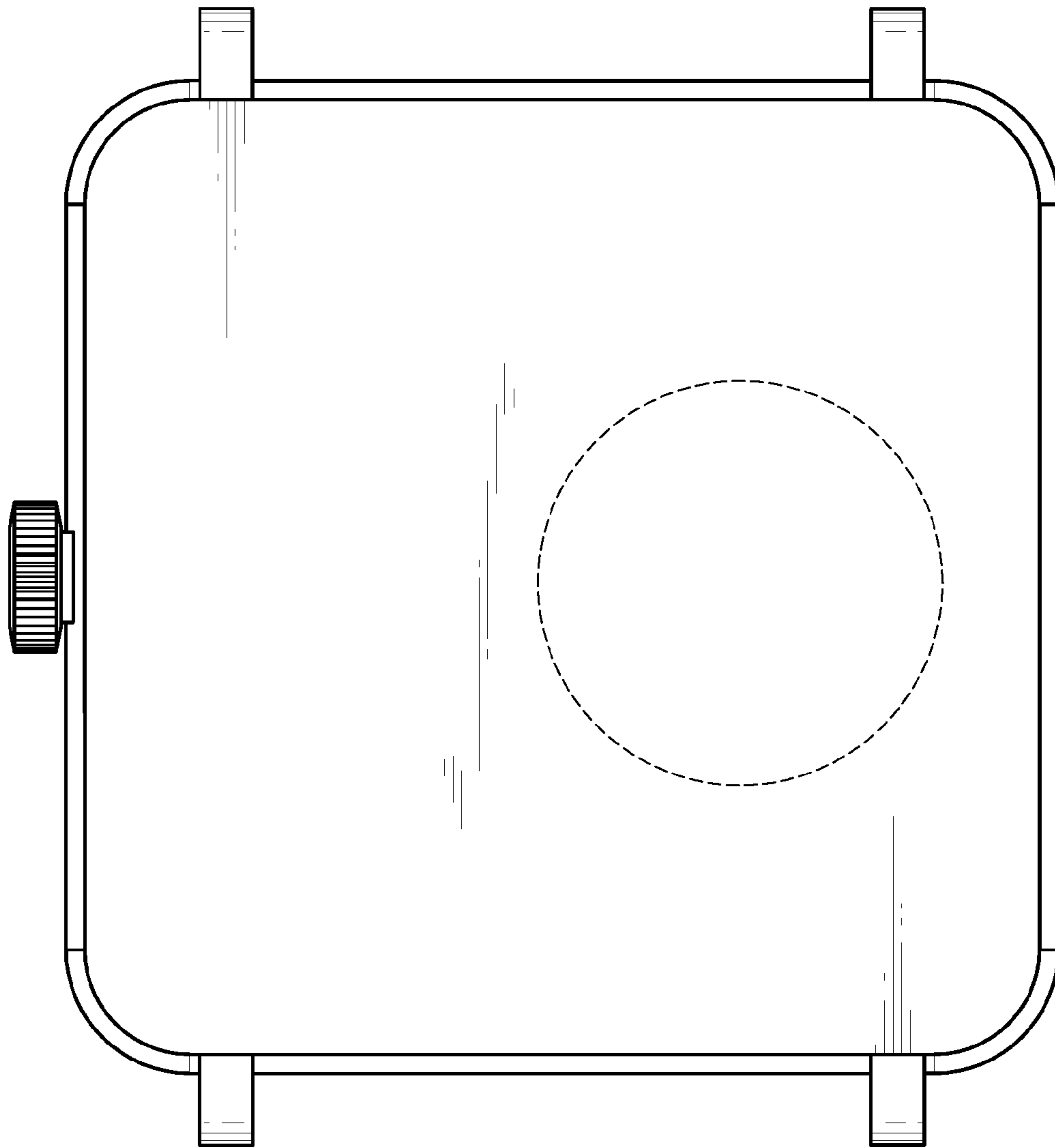


FIG. 7