

US00D594349S

(12) **United States Design Patent**
Arpa

(10) **Patent No.:** **US D594,349 S**
(45) **Date of Patent:** **** Jun. 16, 2009**

(54) **WRISTWATCH**

(75) Inventor: **Yvan Arpa**, Collonge-Bellerive (CH)

(73) Assignee: **RJ Watches SA**, Geneva (CH)

(**) Term: **14 Years**

(21) Appl. No.: **29/330,956**

(22) Filed: **Jan. 16, 2009**

(30) **Foreign Application Priority Data**

Jul. 25, 2008 (CH) 135248

(51) **LOC (9) Cl.** **10-02**

(52) **U.S. Cl.** **D10/32**

(58) **Field of Classification Search** D10/30-39,
D10/122-126; 368/276, 281, 282, 285, 294,
368/295, 80, 223, 228, 232, 15-20; D11/3
See application file for complete search history.

(56) **References Cited**

U.S. PATENT DOCUMENTS

- D212,773 S * 11/1968 Booth D10/126
- 3,503,203 A * 3/1970 Gruner et al. 368/21
- D268,816 S * 5/1983 Venker D10/37
- 4,972,393 A * 11/1990 Sase et al. 368/28
- D330,341 S * 10/1992 Robert D10/126
- D336,250 S * 6/1993 Cannon D10/33
- D338,161 S * 8/1993 Kizaki D10/39
- D345,941 S * 4/1994 Kaneko D10/126

- D353,555 S * 12/1994 Ito D10/126
- D385,804 S * 11/1997 Toribio D10/30
- D386,698 S * 11/1997 Giardiello D10/39
- D386,707 S * 11/1997 Woo et al. D10/128
- D391,866 S * 3/1998 Brzezinski D10/32
- D461,736 S * 8/2002 De Muralt D10/128
- D528,443 S * 9/2006 Bedat D10/39
- D538,681 S * 3/2007 Quintavalle D10/38
- D551,099 S * 9/2007 Modolo D10/32
- D583,259 S * 12/2008 Arpa D10/39

* cited by examiner

Primary Examiner—Lucy Lieberman

(74) *Attorney, Agent, or Firm*—Sughrue Mion, PLLC

(57) **CLAIM**

The ornamental design for a wristwatch, as shown and described.

DESCRIPTION

FIG. 1 is a perspective view of the front and right side of a wristwatch showing my new design;

FIG. 2 is a front elevational view thereof;

FIG. 3 is a rear elevational view thereof;

FIG. 4 is a left side elevational view thereof;

FIG. 5 is a right side elevational view thereof;

FIG. 6 is a top plan view thereof; and,

FIG. 7 is a bottom plan view thereof.

1 Claim, 4 Drawing Sheets



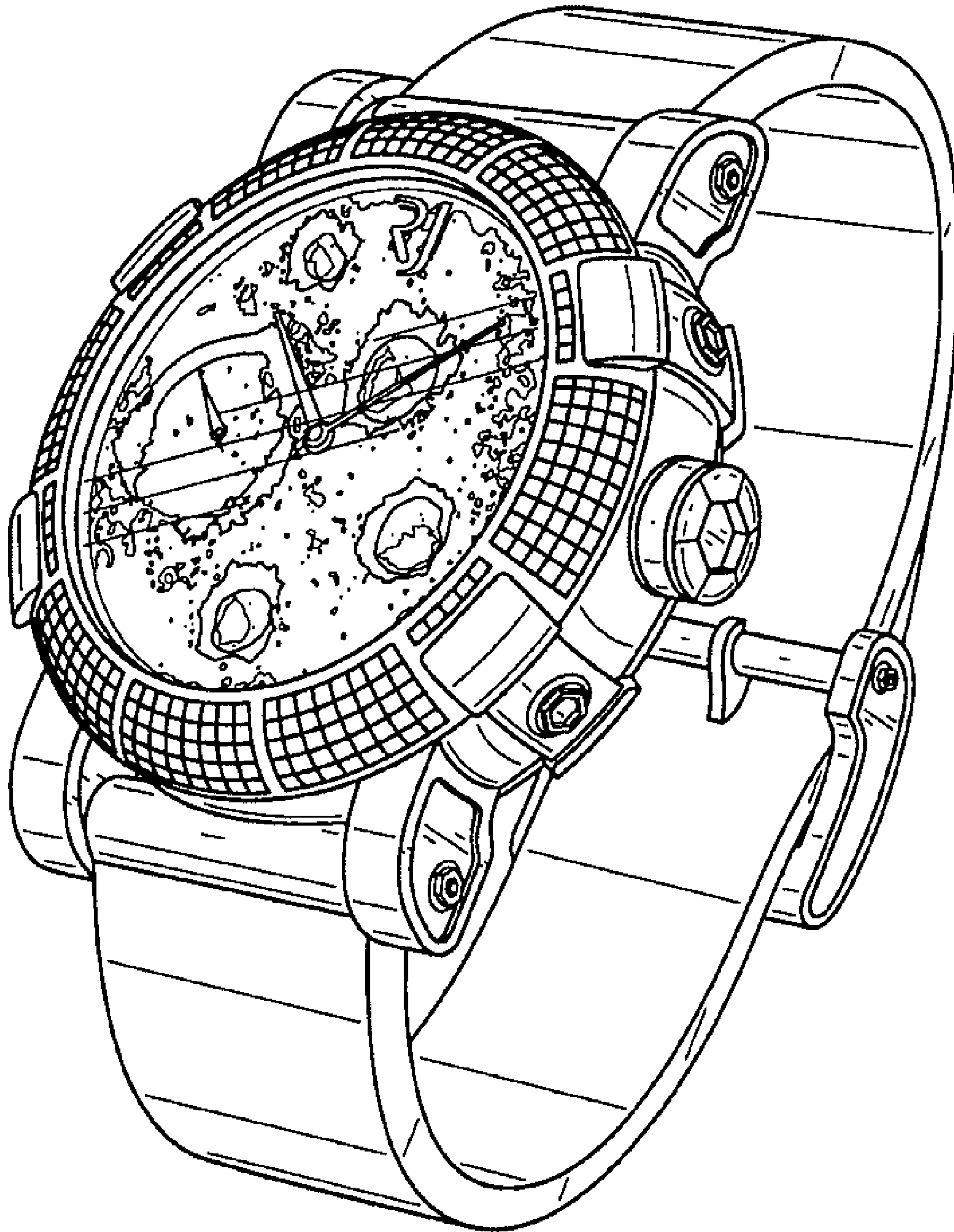


FIG. 1



FIG. 2

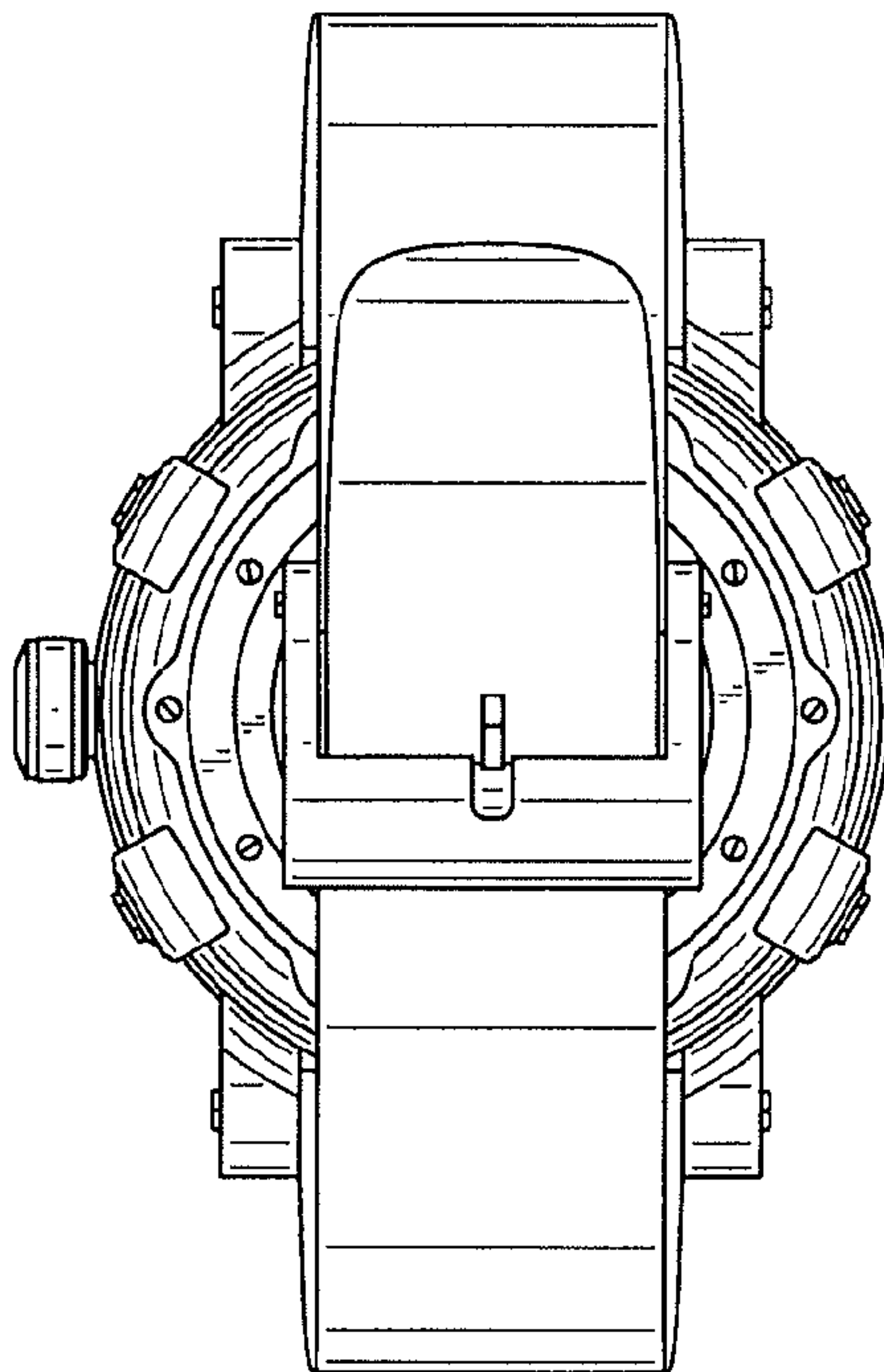


FIG. 3

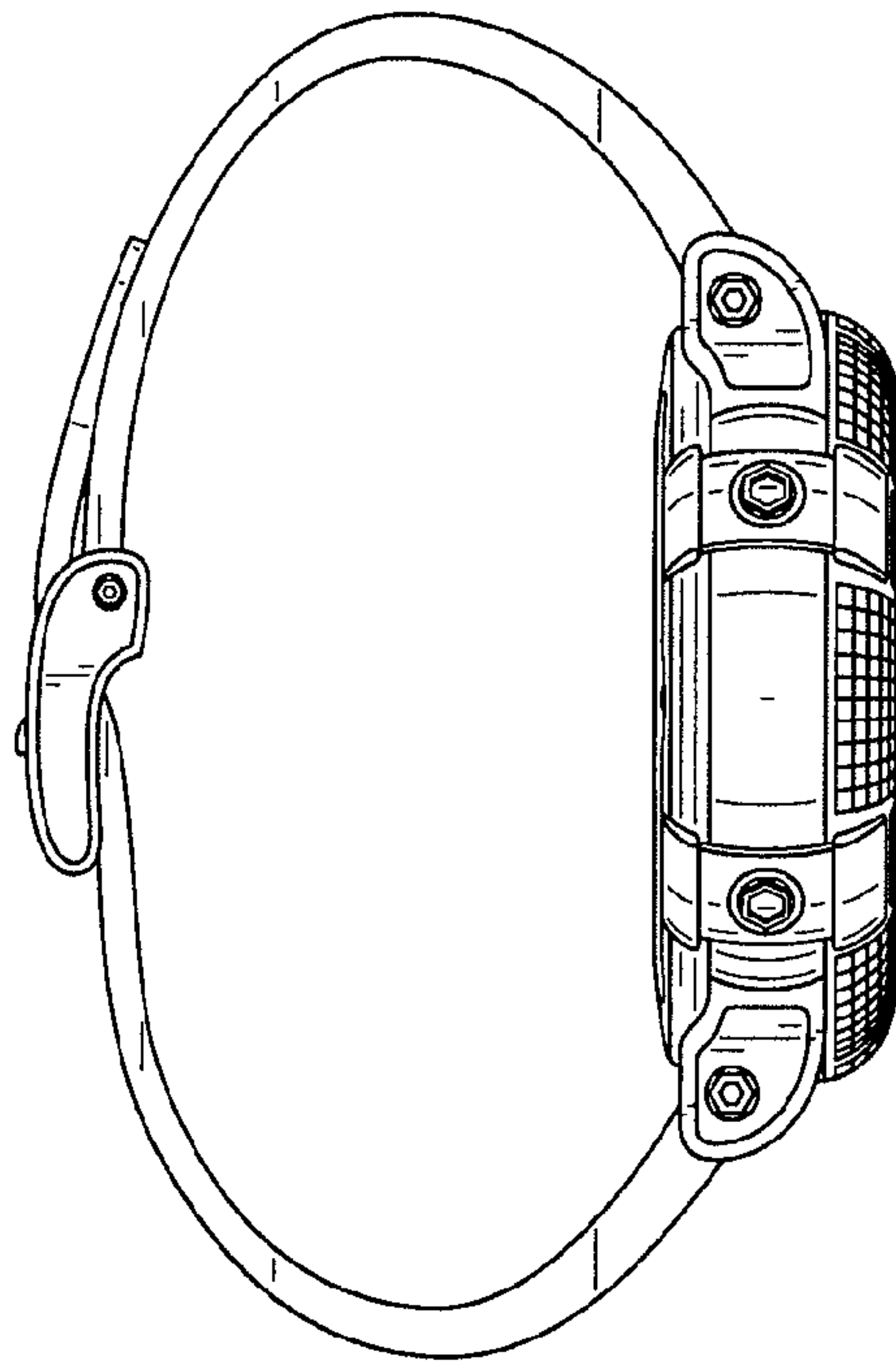


FIG. 4

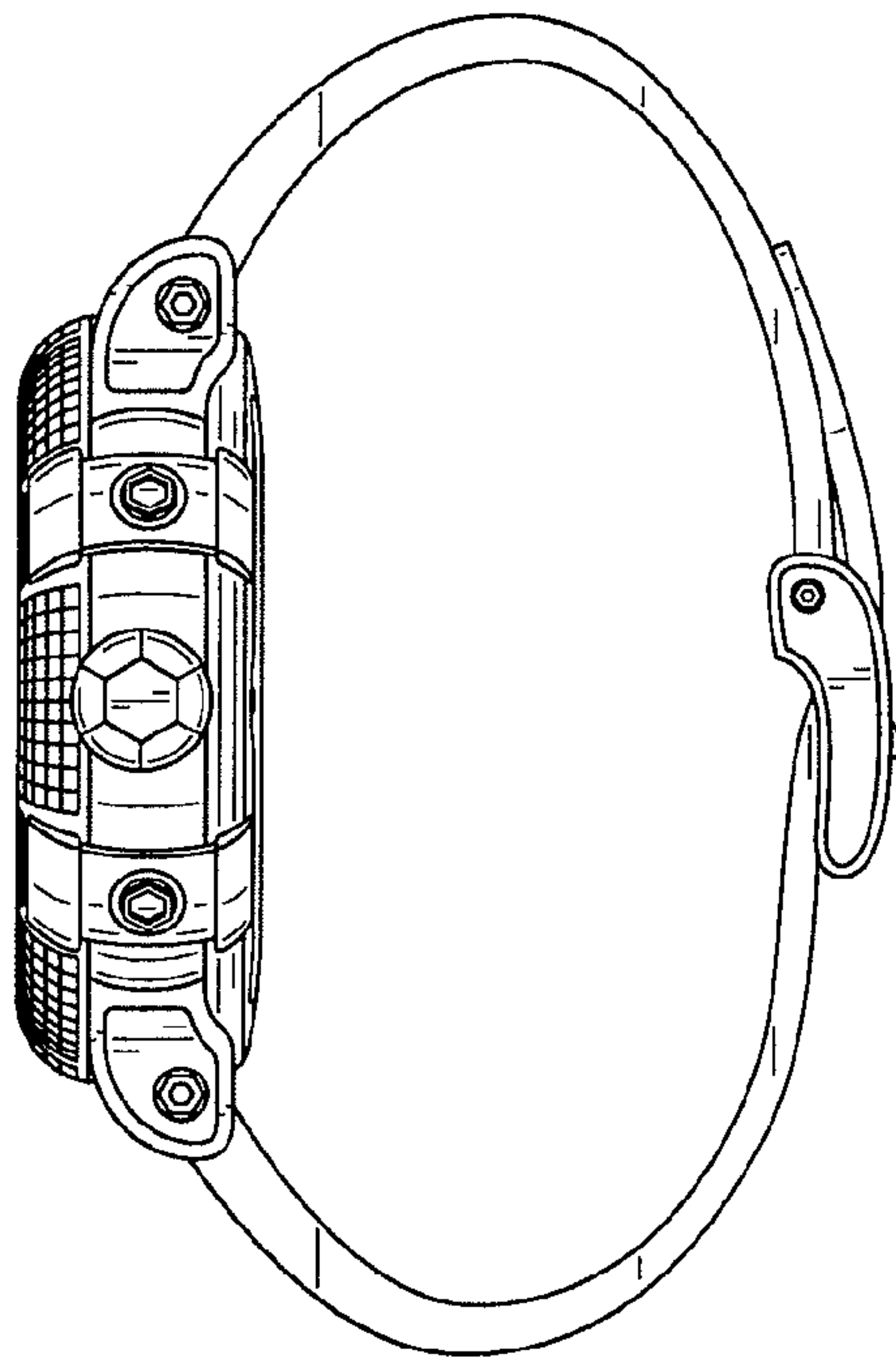


FIG. 5

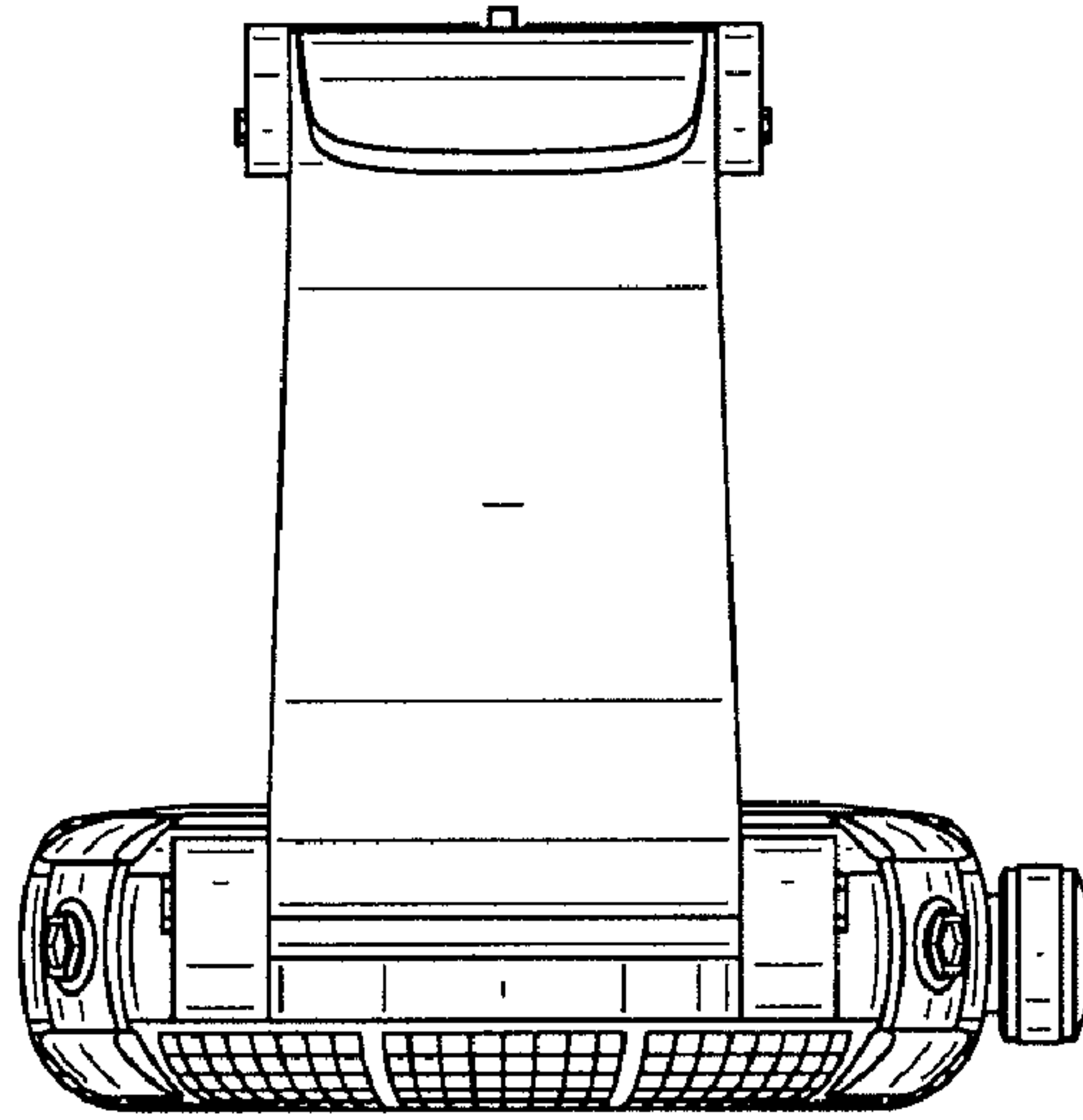


FIG. 6

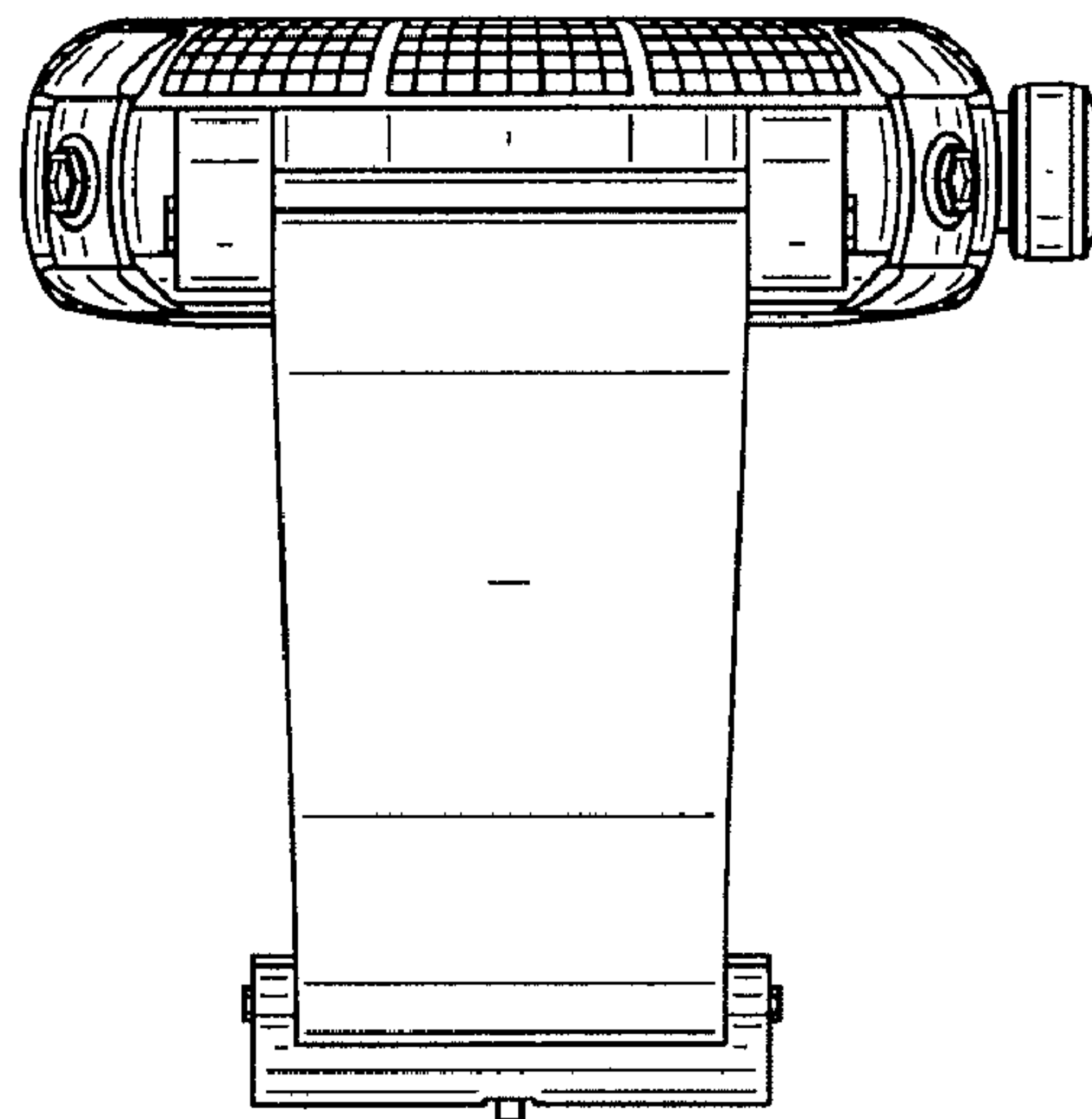


FIG. 7