



US00D594348S

(12) **United States Design Patent**
Sorrentino et al.

(10) **Patent No.:** **US D594,348 S**
(45) **Date of Patent:** **** Jun. 16, 2009**

- (54) **MULTIPLE PRODUCT PACKAGE**
- (75) Inventors: **Alan Sorrentino**, Cranbury, NJ (US);
Robert Moskovich, East Brunswick, NJ
(US); **Kiat-Cheong Toh**, Forest Hills,
NY (US); **Frank Hom**, Wayne, NJ (US)
- (73) Assignee: **Colgate-Palmolive Company**, New
York, NY (US)
- (**) Term: **14 Years**
- (21) Appl. No.: **29/320,245**
- (22) Filed: **Jun. 24, 2008**
- (51) **LOC (9) Cl.** **09-03**
- (52) **U.S. Cl.** **D9/756; D9/424; D9/425;**
D9/418
- (58) **Field of Classification Search** D9/756,
D9/757, 761, 762, 737, 759, 420-426, 429,
D9/414, 415, 418; 220/835, 608, 653, 669,
220/839, 4.23, 555, 575, 4.26, 4.27, 556,
220/553, 23.8, 23.83, 315, 324, 326, 4.21;
206/508, 511, 564, 541, 546, 521.1; 229/902-904,
229/906, 110, 406, 407
See application file for complete search history.

D425,414 S *	5/2000	Baker et al.	D9/415
D439,158 S *	3/2001	Forakis	D9/418
6,364,115 B1	4/2002	Casanova et al.	
D470,046 S	2/2003	Chao	
D472,140 S	3/2003	Yang	
6,726,011 B2	4/2004	Sarkar et al.	
6,889,829 B2	5/2005	Lev et al.	
6,920,980 B2	7/2005	Hwang et al.	
D532,612 S	11/2006	Lamason et al.	
D549,572 S *	8/2007	Althouse et al.	D9/415
D554,492 S *	11/2007	Bochmann et al.	D9/415
D554,493 S *	11/2007	Bochmann et al.	D9/415
D554,494 S *	11/2007	Crawford et al.	D9/418
D556,569 S *	12/2007	Stein et al.	D9/428
2004/0108236 A1	6/2004	Reed et al.	
2004/0182733 A1	9/2004	Dunlap	
2006/0278561 A1	12/2006	Schierlmann	

* cited by examiner

Primary Examiner—Stella M Reid
Assistant Examiner—Mark A Goodwin
(74) *Attorney, Agent, or Firm*—Amy M. Fernandez

(57) **CLAIM**

The ornamental design for a multiple product package, as shown and described.

(56) **References Cited**

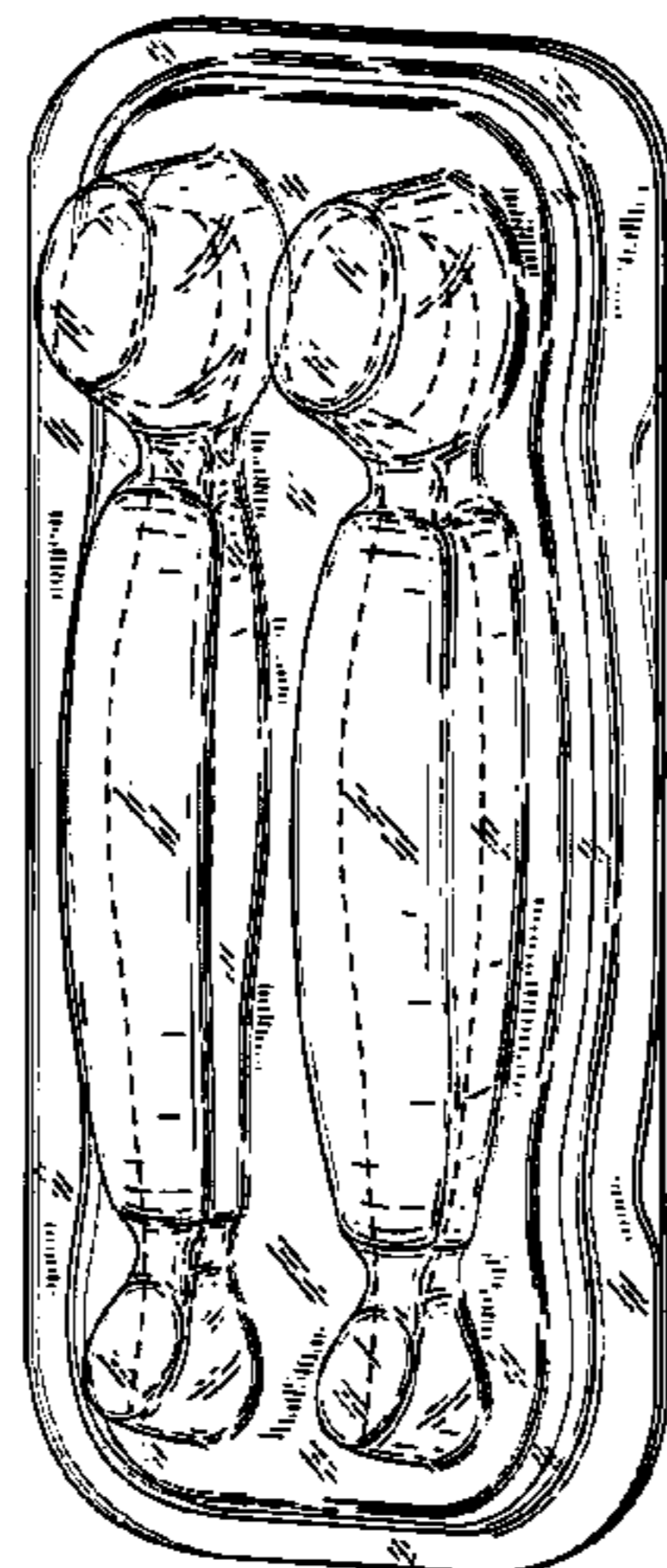
U.S. PATENT DOCUMENTS

D196,988 S	11/1963	Wills, Jr.	
D197,862 S	3/1964	Wills, Jr.	
3,759,375 A	9/1973	Nappi	
D267,394 S *	12/1982	Liptak et al.	D9/415
RE31,571 E	5/1984	Mann	
4,512,474 A	4/1985	Harding	
D281,306 S *	11/1985	Reichenstein	D9/415
D281,580 S *	12/1985	Stevens	D9/415
D283,489 S *	4/1986	Stevens	D9/415
D291,064 S *	7/1987	Haber et al.	D9/415
D294,123 S	2/1988	Hill	
4,779,734 A	10/1988	Kydonieus	
D306,404 S	3/1990	Hill	
D345,909 S *	4/1994	Winston	D9/415
D346,114 S	4/1994	Winston	
5,447,232 A	9/1995	Chow	
D365,984 S	1/1996	Hofmann	

DESCRIPTION

FIG. 1 is a perspective view of the multiple product package of our design opened..
FIG. 2 is a front elevation view of the exterior thereof.
FIG. 3 is a rear elevation view of the interior thereof.
FIG. 4 is a left side elevation view thereof.
FIG. 5 is a right side elevation view thereof.
FIG. 6 is a top plan view thereof; and,
FIG. 7 is a bottom plan view thereof.
The broken line showing of a product in the multiple product package is for illustrative purposes only and forms no part of the claimed design.

1 Claim, 6 Drawing Sheets



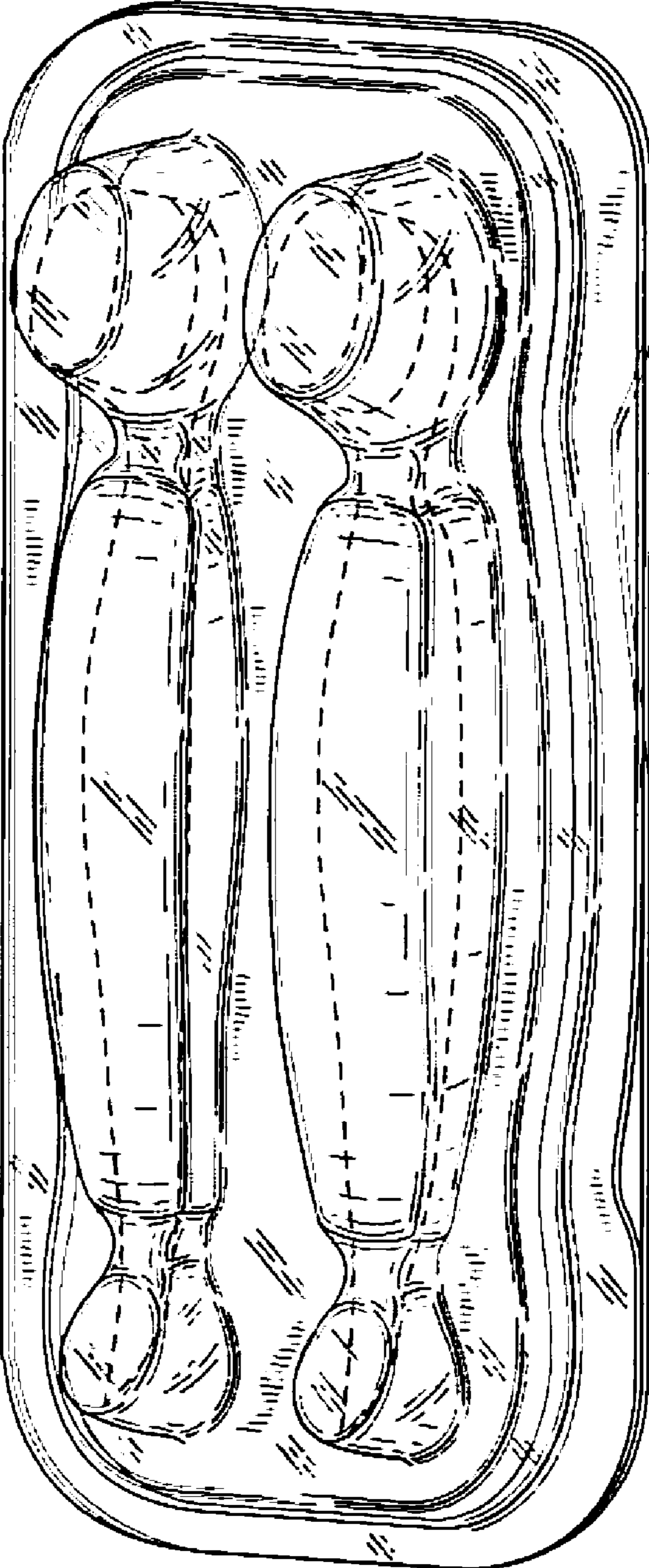


FIG. 1

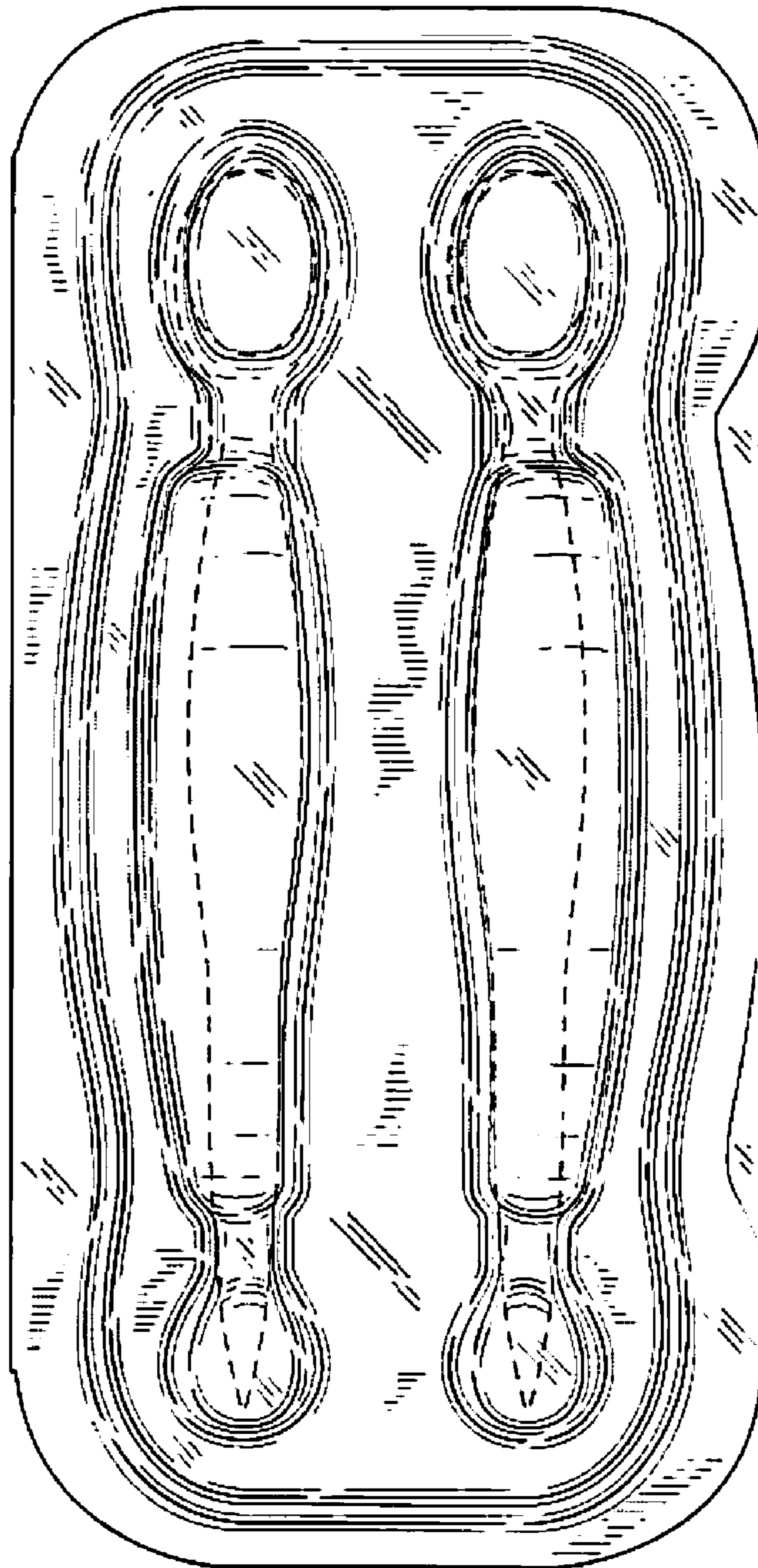


FIG. 2

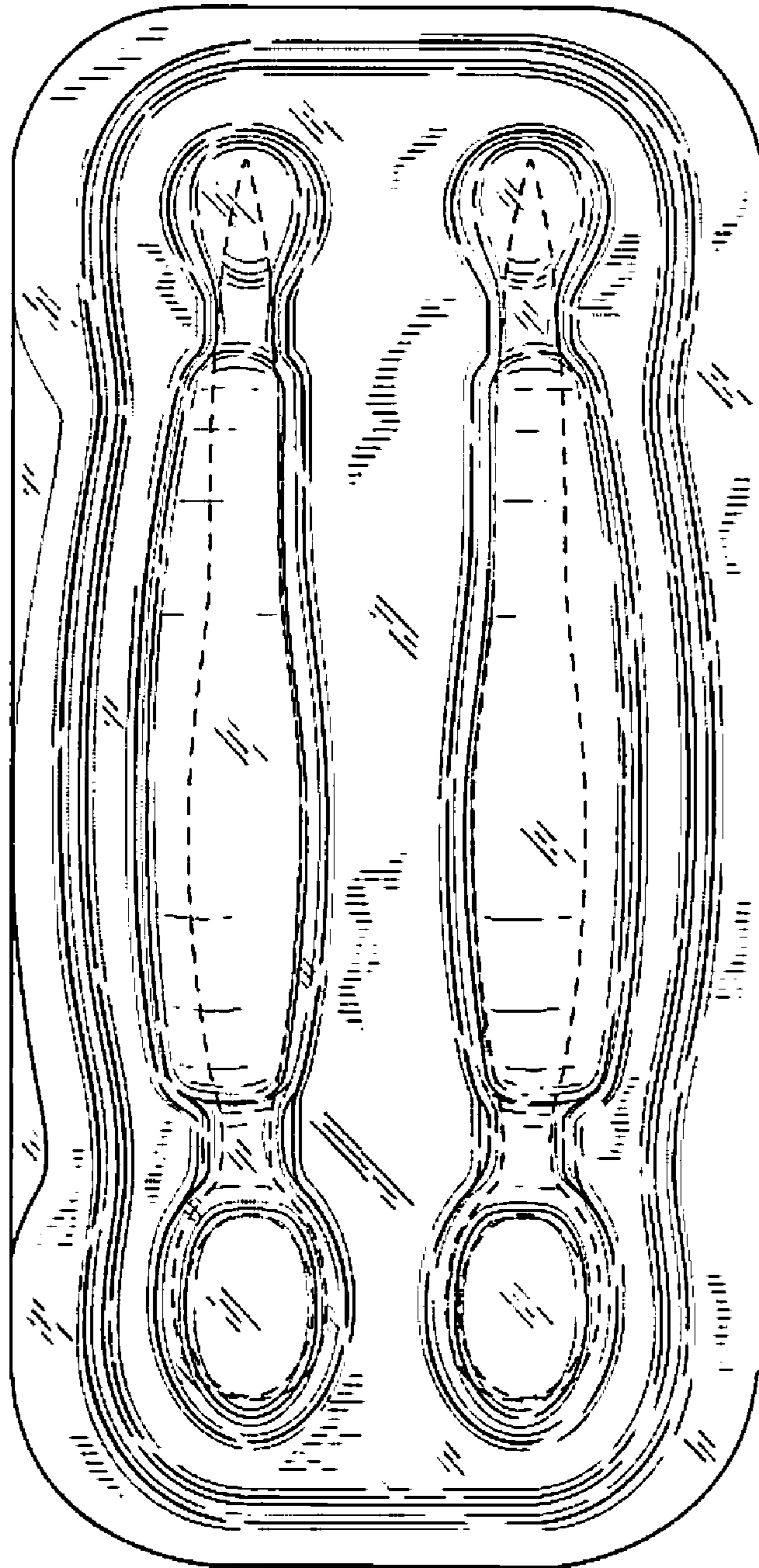


FIG. 3

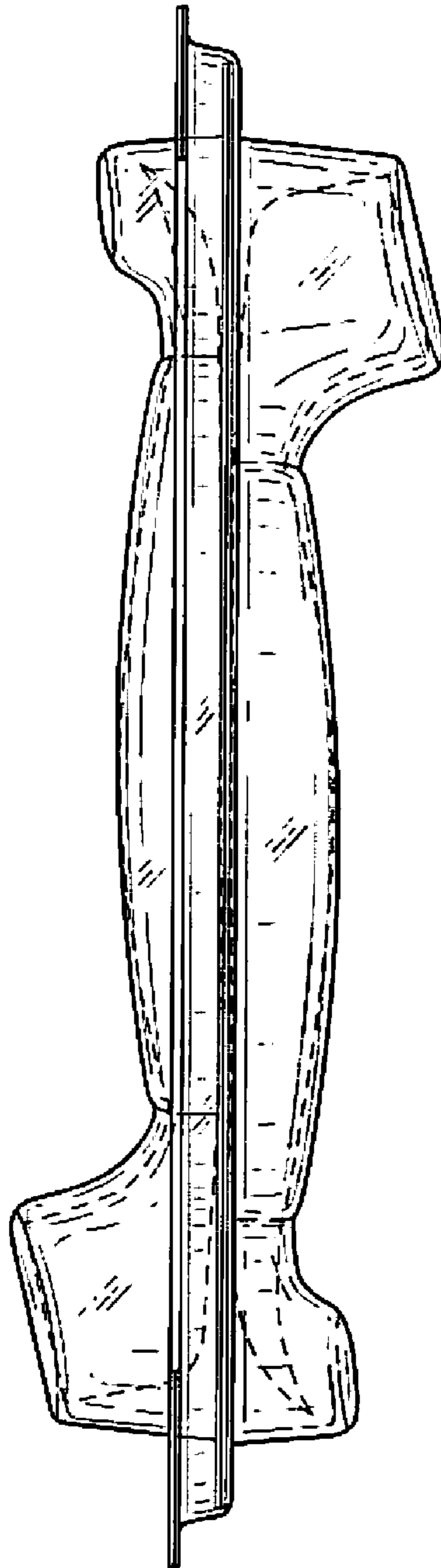


FIG. 4

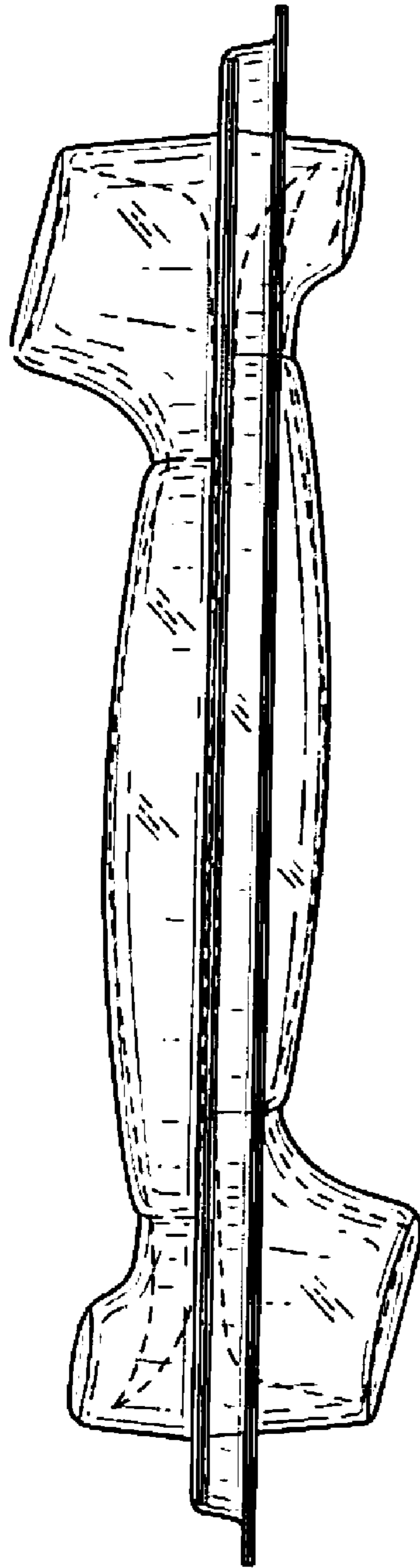


FIG. 5

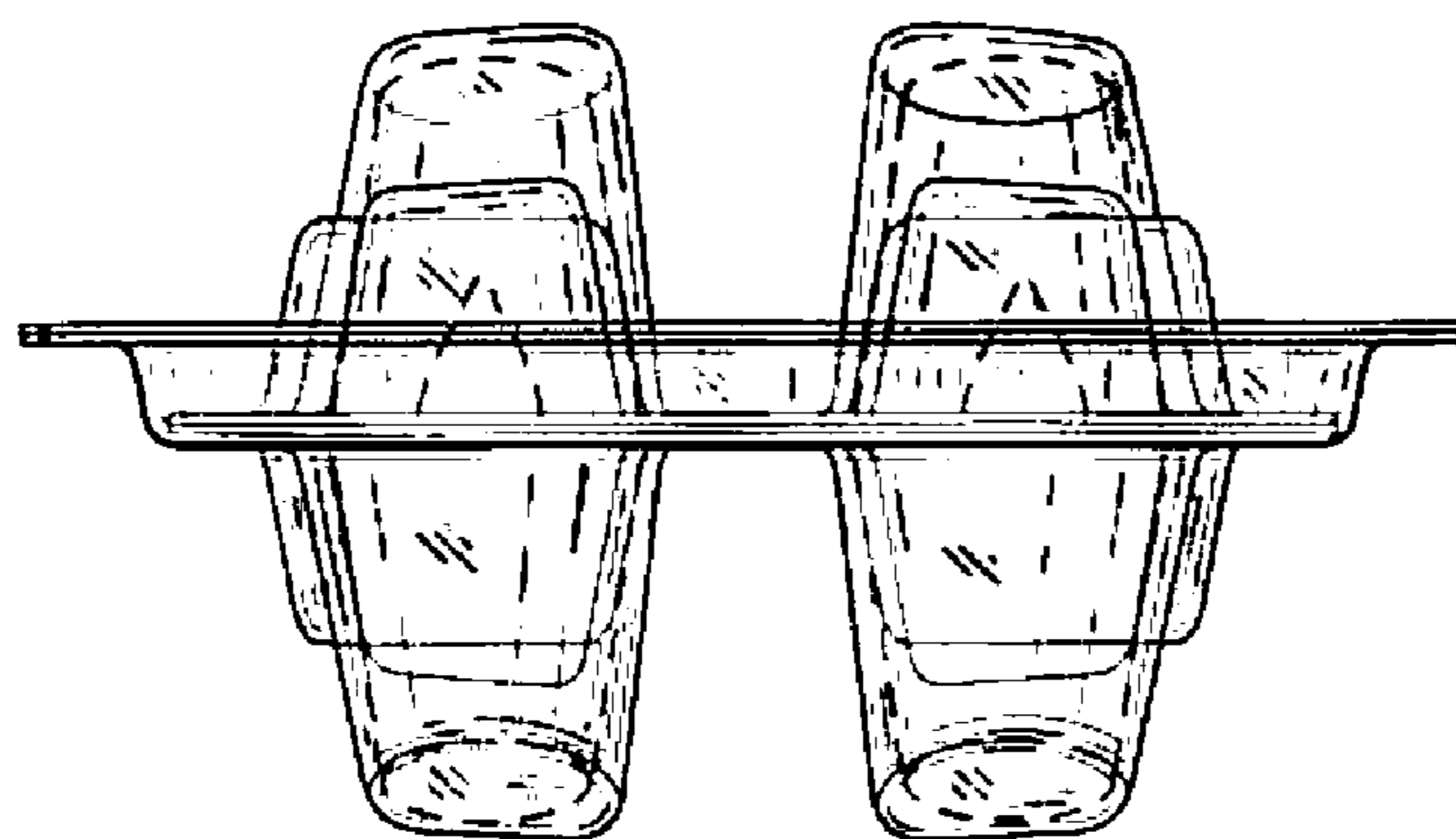


FIG. 6

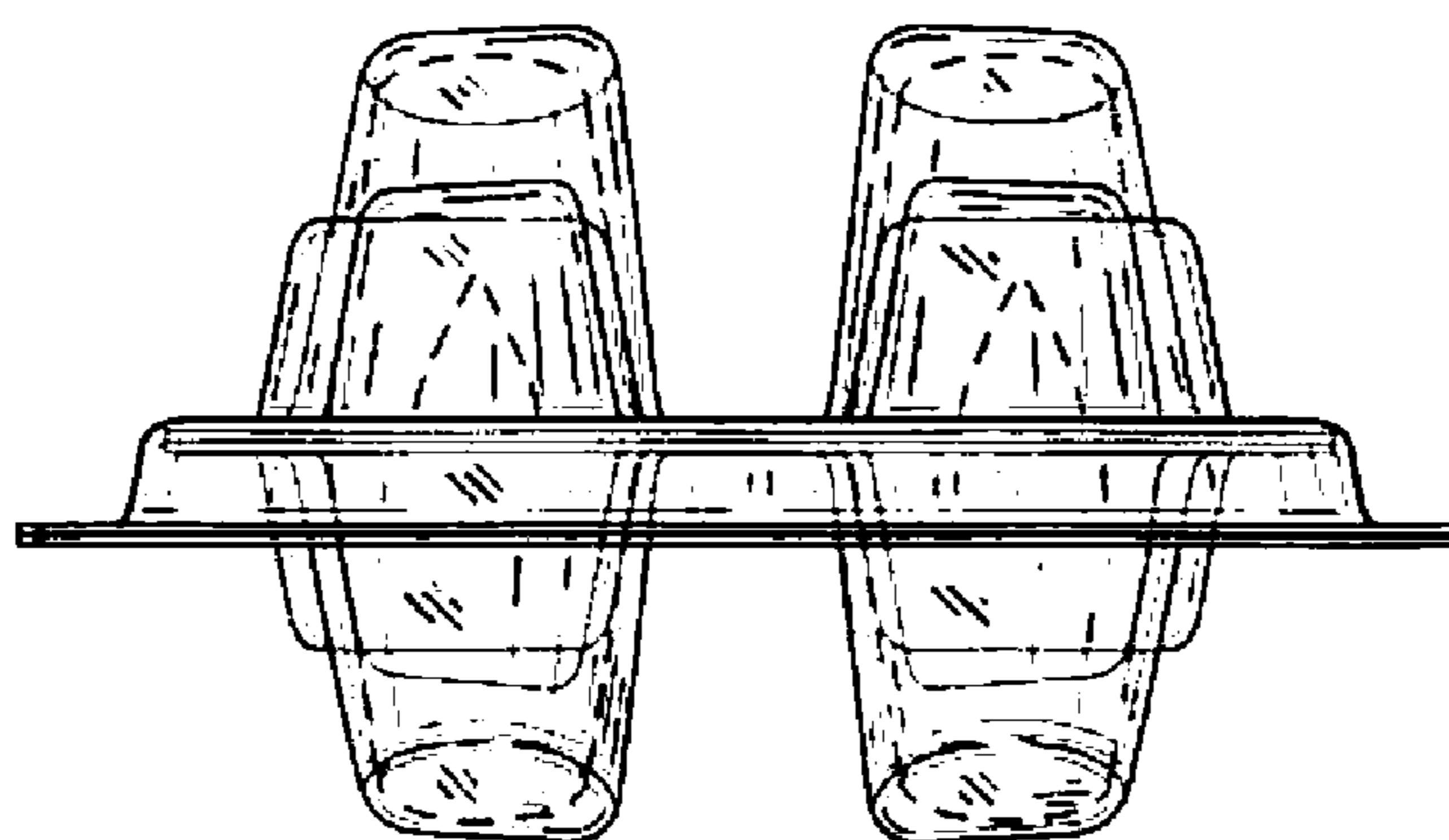


FIG. 7