



US00D594346S

(12) **United States Design Patent**
Mouquet

(10) **Patent No.:** **US D594,346 S**
(45) **Date of Patent:** **** Jun. 16, 2009**

(54) **BOTTLE**

(75) Inventor: **Philippe Mouquet**, Paris (FR)

(73) Assignee: **Comptoir Nouveau de la Parfumerie**,
Paris (FR)

(**) Term: **14 Years**

(21) Appl. No.: **29/275,066**

(22) Filed: **Dec. 12, 2006**

(51) **LOC (9) Cl.** **09-01**

(52) **U.S. Cl.** **D9/690; D9/719**

(58) **Field of Classification Search** D9/682-694,
D9/516-575, 719; D28/76, 77, 82, 88, 91.1;
D3/208; D11/2, 79; 222/129, 135, 153.01,
222/153.03, 153.04, 153.09, 153.11-153.14,
222/631, 635, 209, 211-213, 215, 321.7-321.9,
222/372, 373, 378, 379, 383.1, 384-386,
222/398, 400.7, 400.8, 401, 402.1-402.25
See application file for complete search history.

(56) **References Cited**

U.S. PATENT DOCUMENTS

D276,413 S * 11/1984 Porter et al. D9/533
D310,723 S * 9/1990 Su D24/110
D370,300 S * 5/1996 Gottvald et al. D27/172
D405,609 S * 2/1999 Fu et al. D3/302
D427,899 S * 7/2000 Bougamont et al. D9/688
6,290,103 B1 * 9/2001 Fraillon 222/321.1
D458,143 S * 6/2002 Ackerman D9/549
6,405,904 B1 * 6/2002 De Laforcade 222/321.3
D476,224 S * 6/2003 de Baschmakoff et al. ... D9/692

D511,690 S * 11/2005 Garcia et al. D9/682
D516,923 S * 3/2006 Moore D9/682
D523,350 S * 6/2006 Ohmoto et al. D9/690
D536,254 S * 2/2007 Ashiwa D9/529
D539,655 S * 4/2007 Kipperman et al. D9/529
D559,704 S * 1/2008 Mouquet D9/719

* cited by examiner

Primary Examiner—Catherine Tuttle

(74) *Attorney, Agent, or Firm*—Foley & Lardner LLP

(57) **CLAIM**

The ornamental design for the bottle, as shown and described.

DESCRIPTION

FIG. 1 is a front and side perspective view of a bottle showing my new design in a closed position;

FIG. 2 is a front elevation view thereof;

FIG. 3 is a right side elevation view thereof;

FIG. 4 is left side elevation view thereof;

FIG. 5 is a rear elevation view thereof;

FIG. 6 is a top plan view thereof;

FIG. 7 is a bottom plan view thereof;

FIG. 8 is a front and side perspective view of the bottle in an open position; and,

FIG. 9 is a front elevation view thereof.

The broken lines shown in FIG. 7 are included for the purpose of illustrating a portion of the bottle that forms no part of the claimed design.

1 Claim, 3 Drawing Sheets

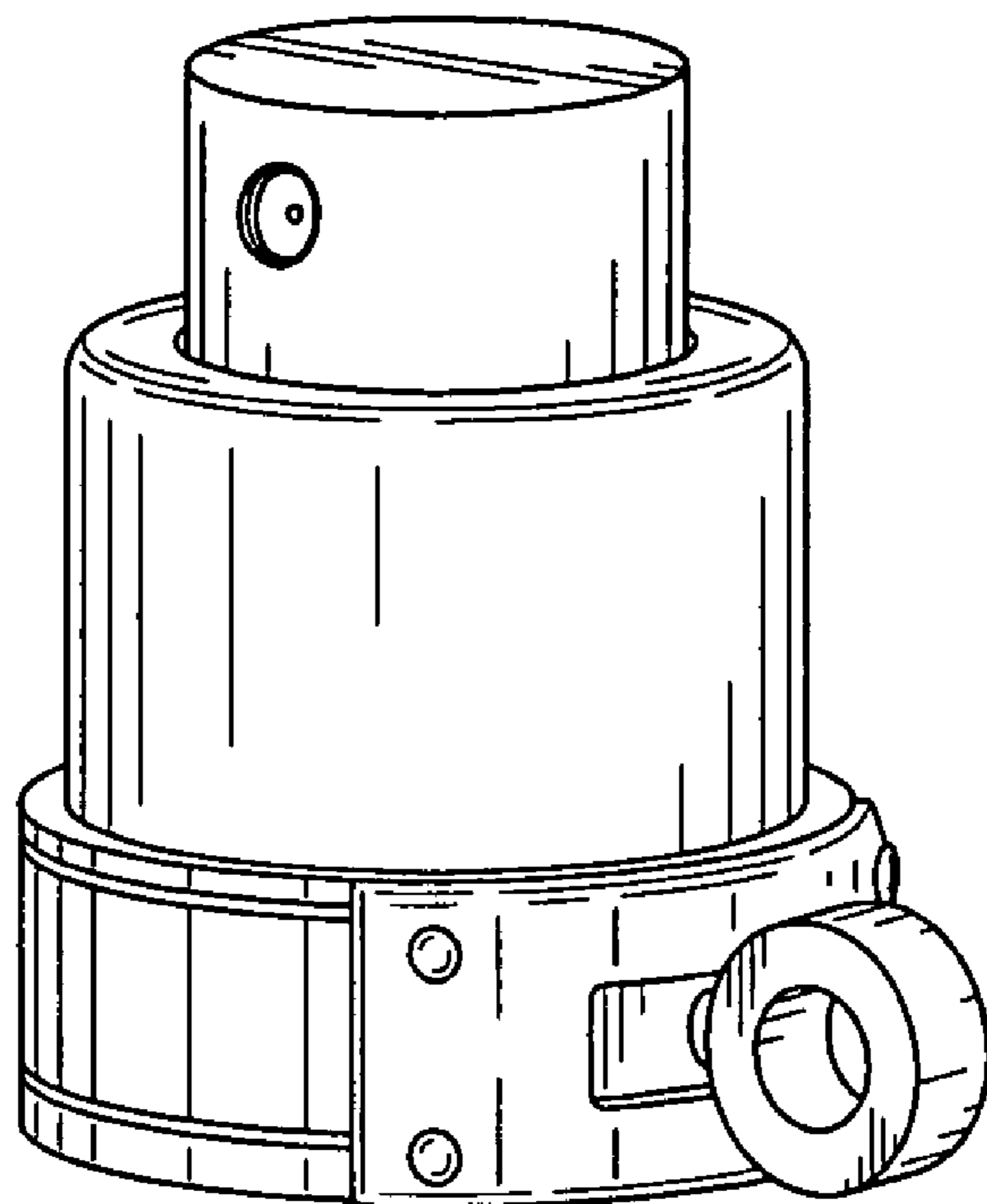
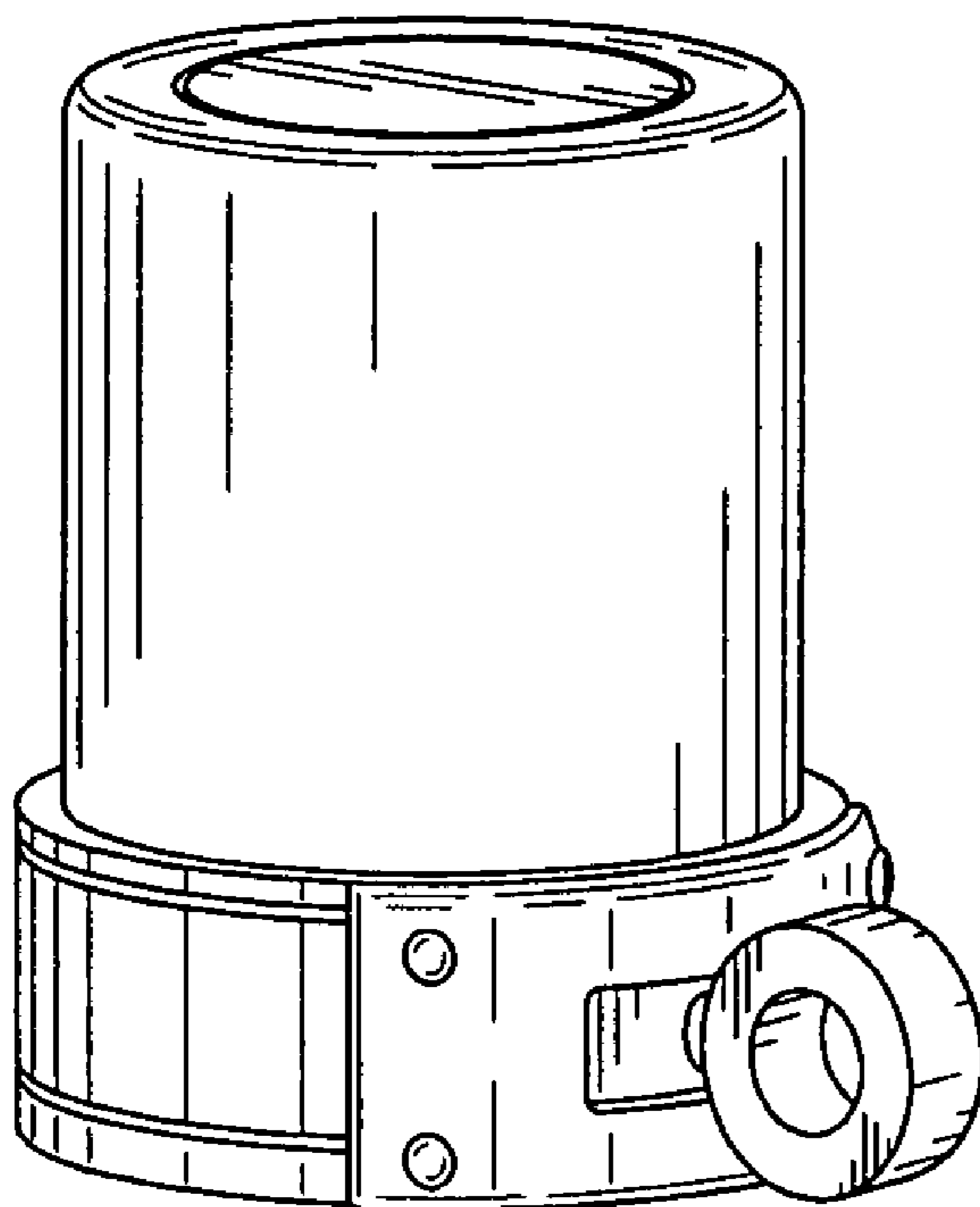


Fig. 1

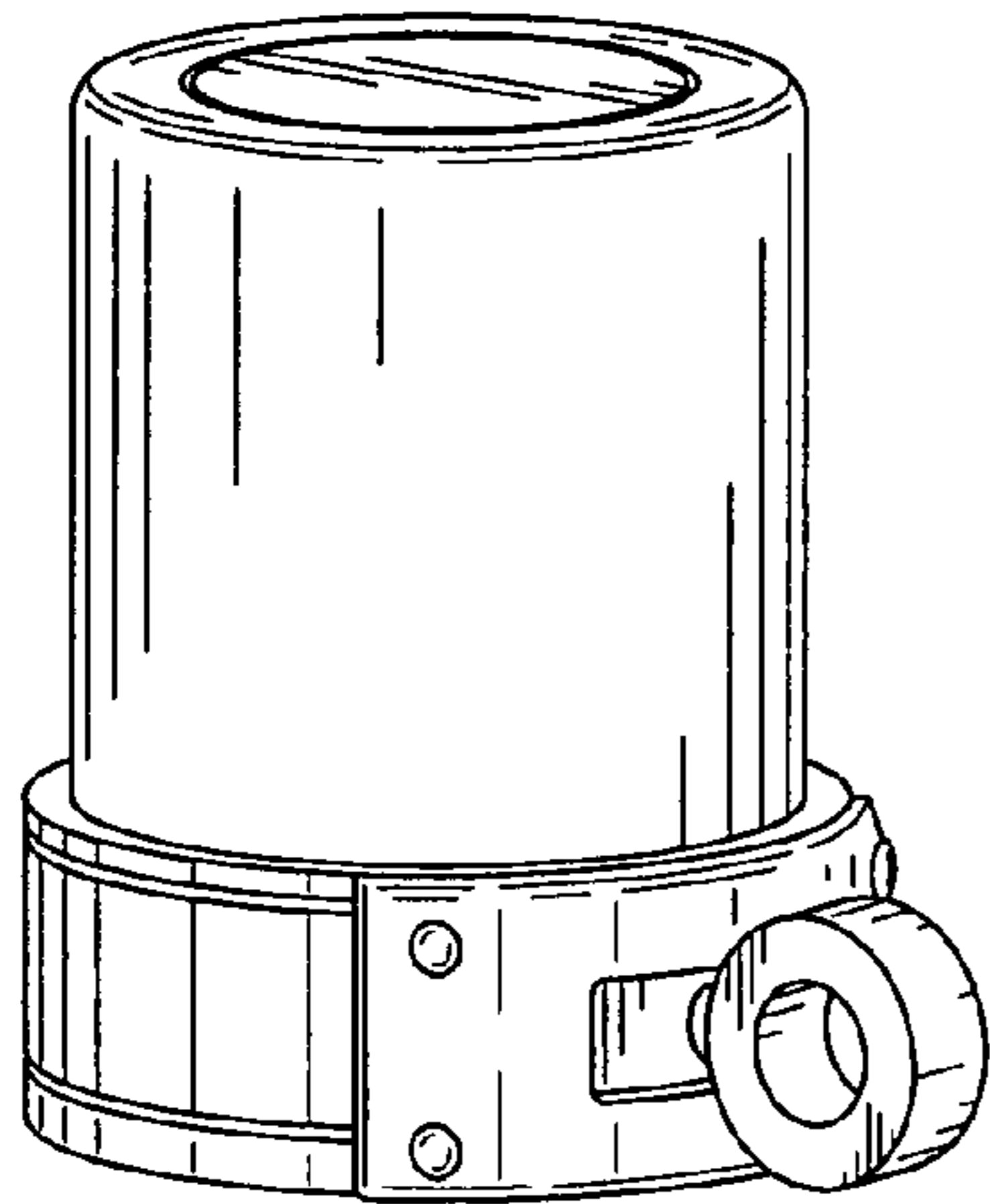


Fig. 2

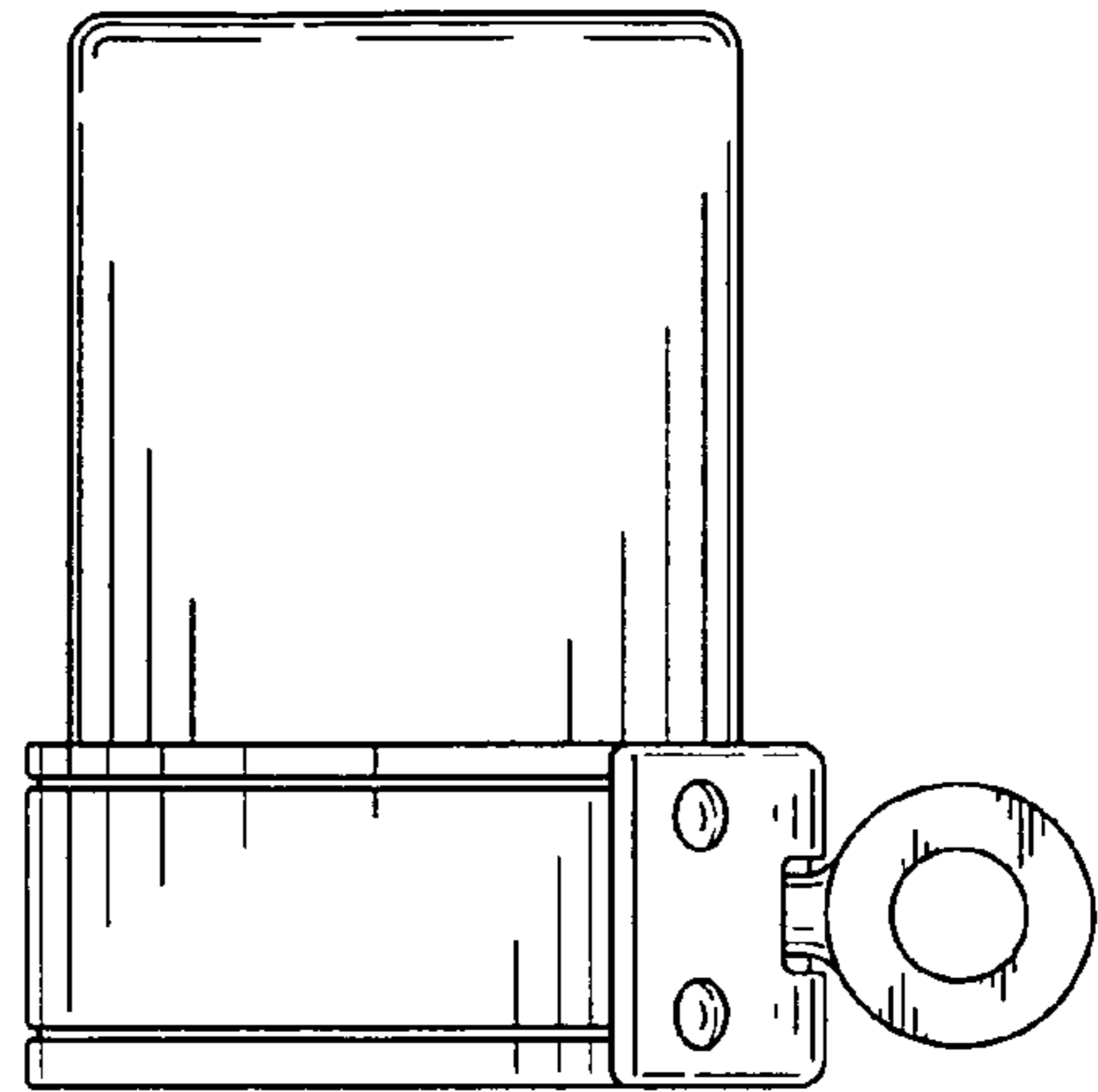


Fig. 3

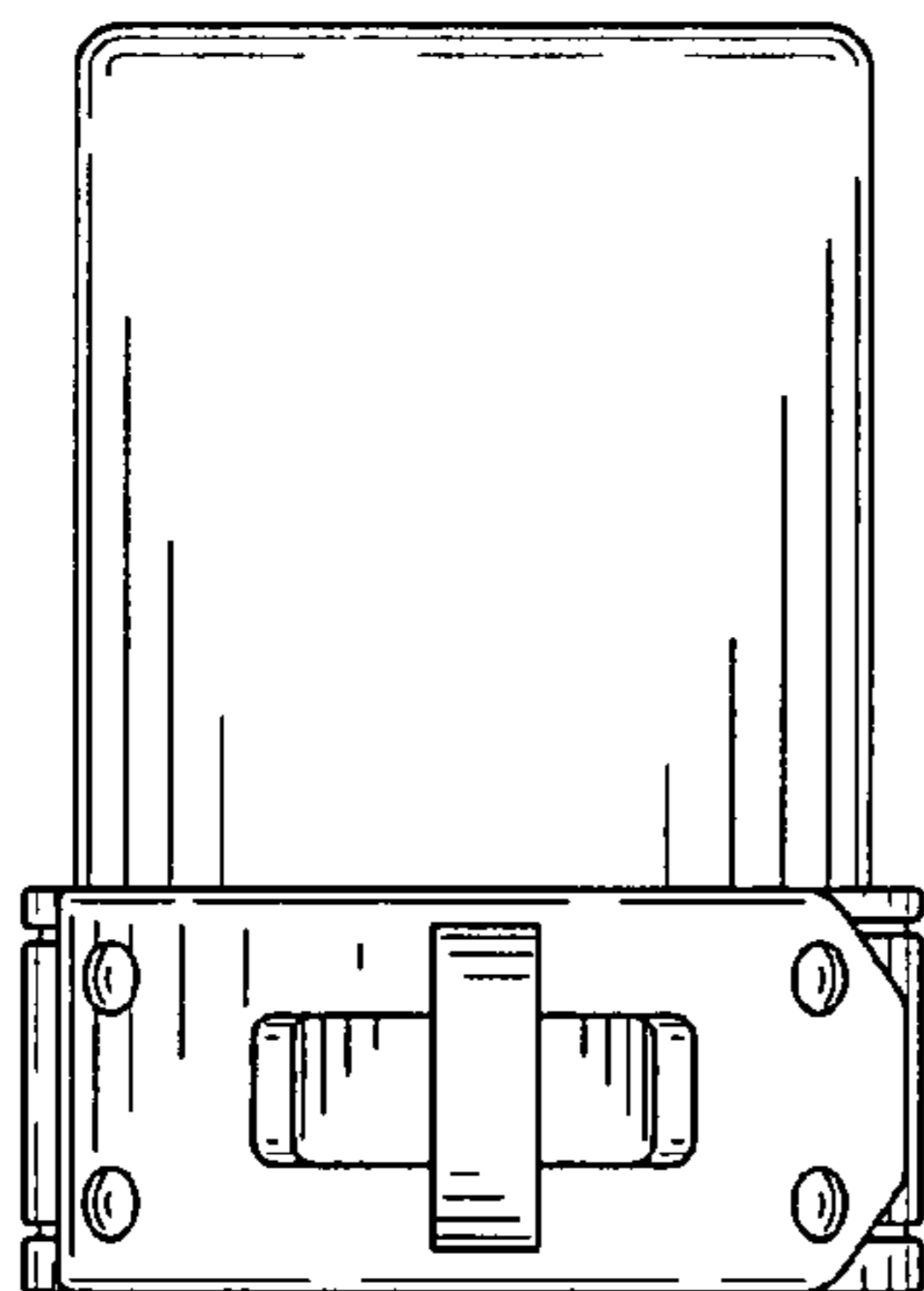


Fig. 4

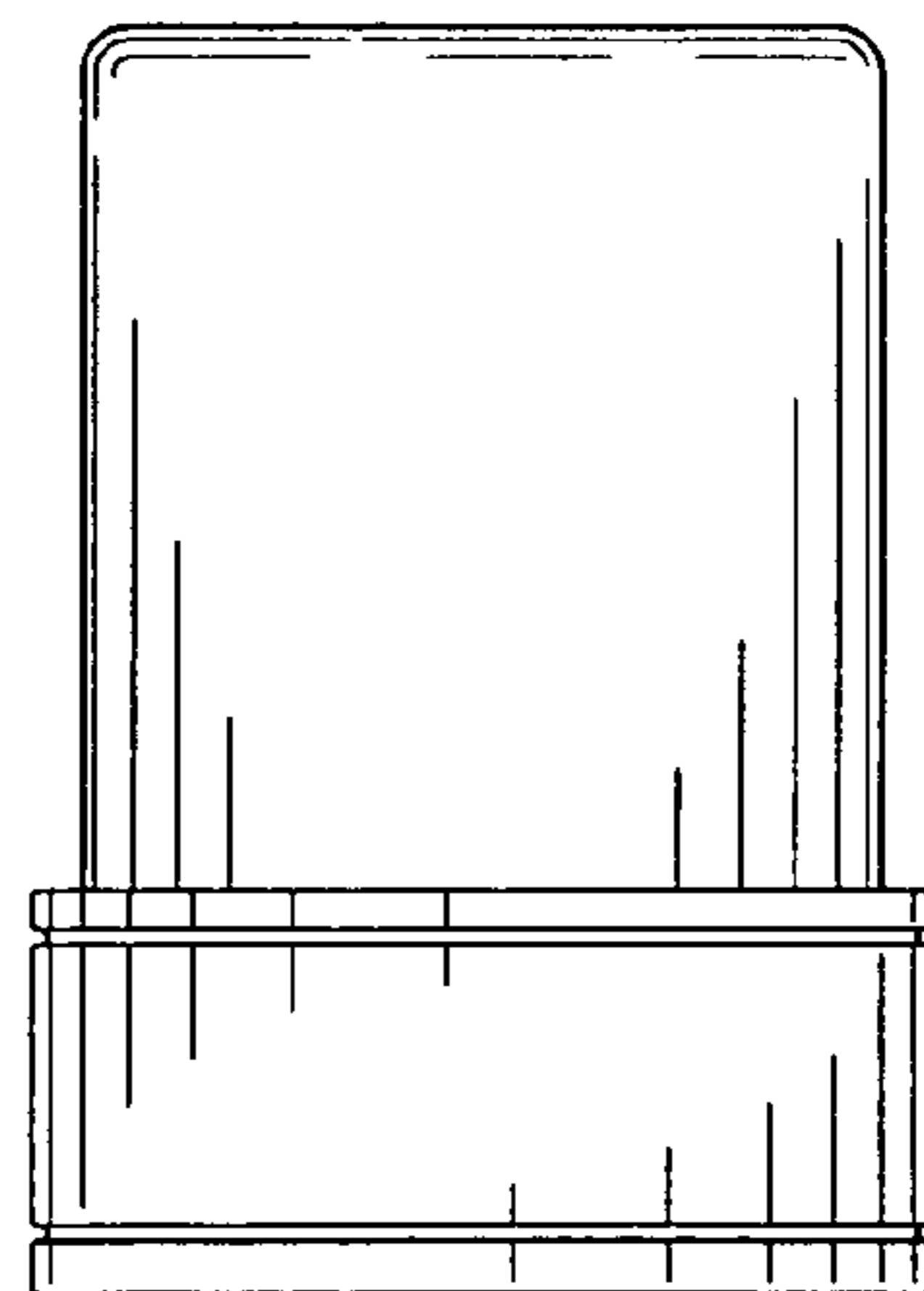


Fig. 5

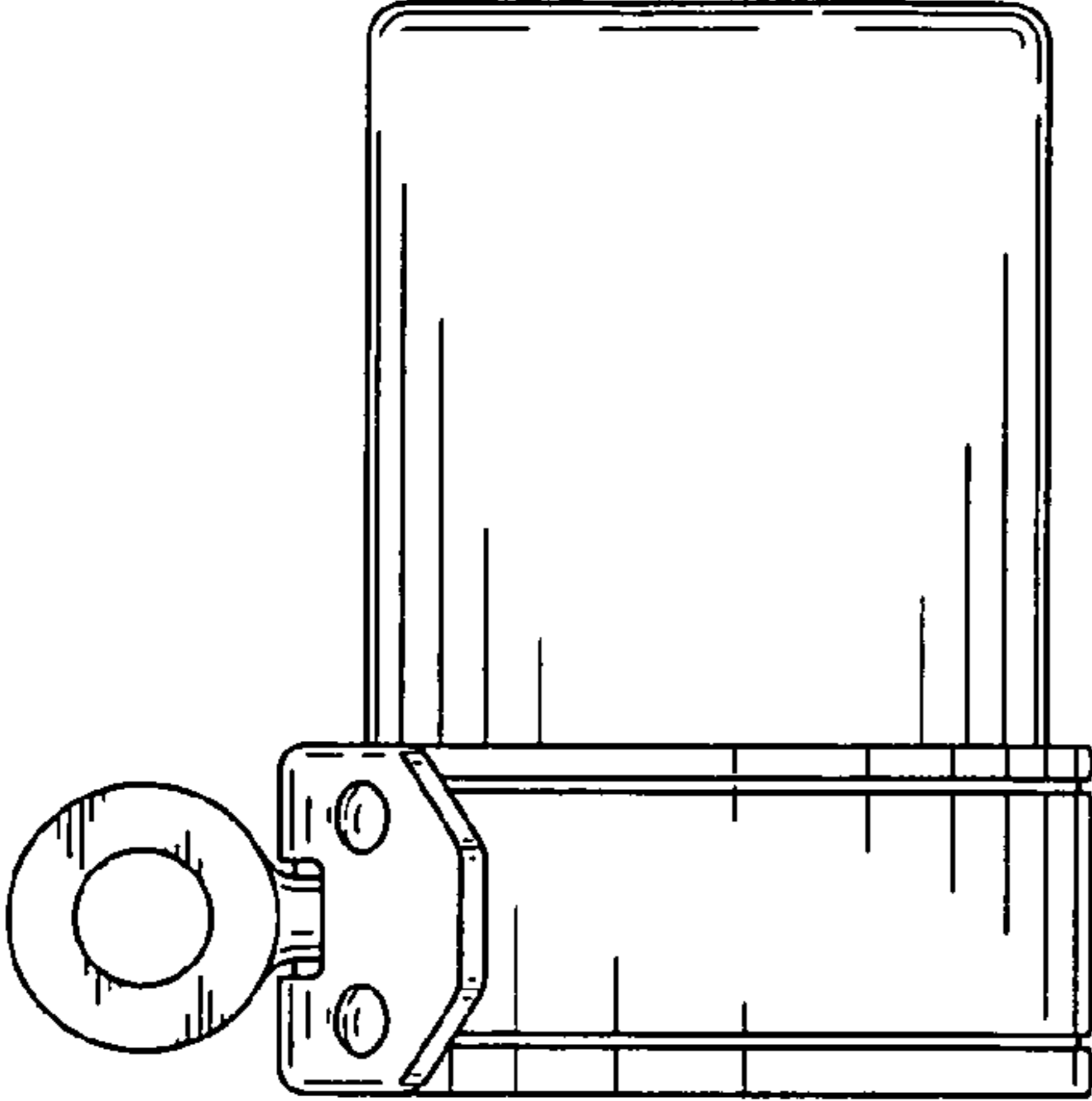


Fig. 6

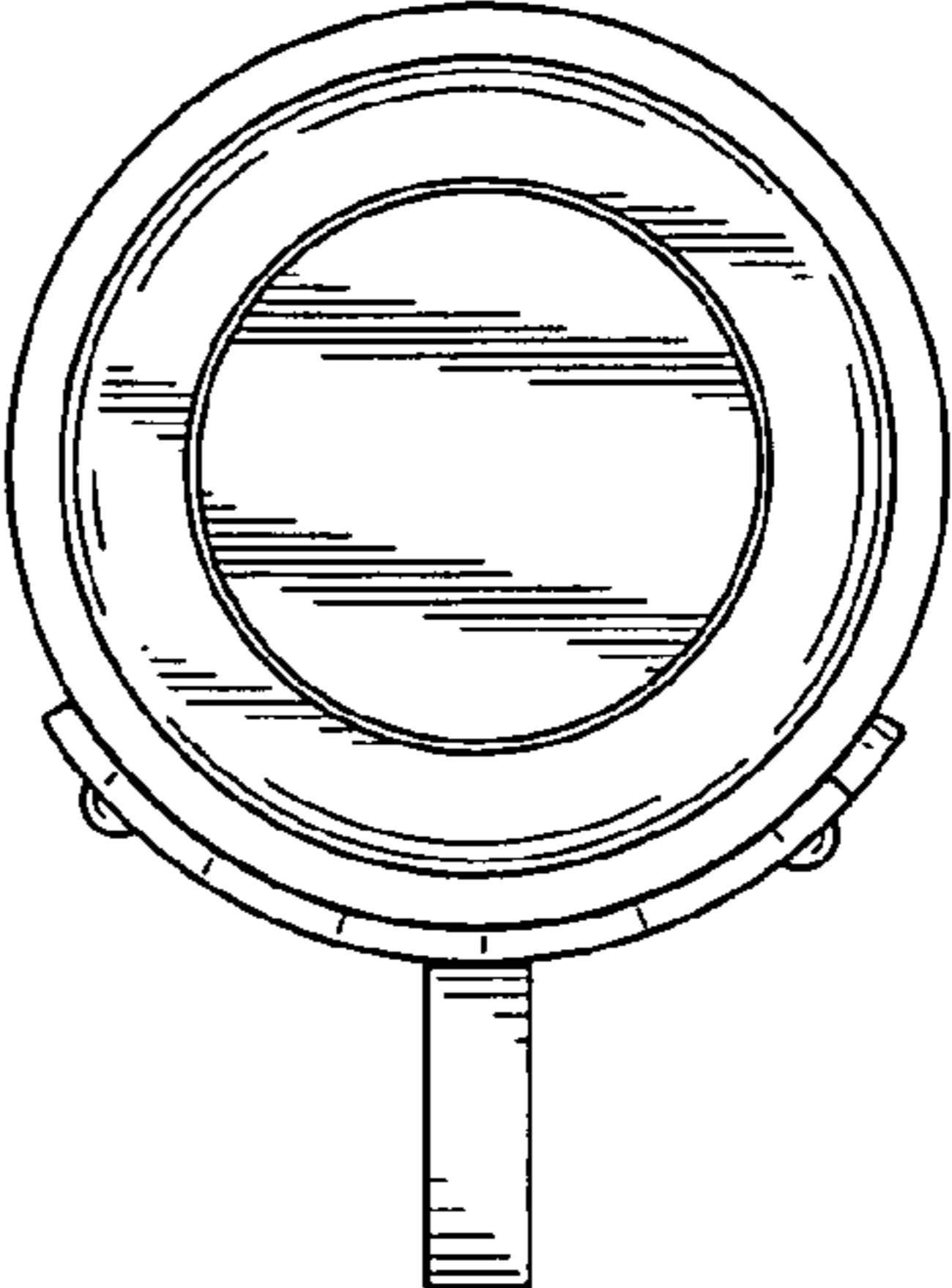


Fig. 7

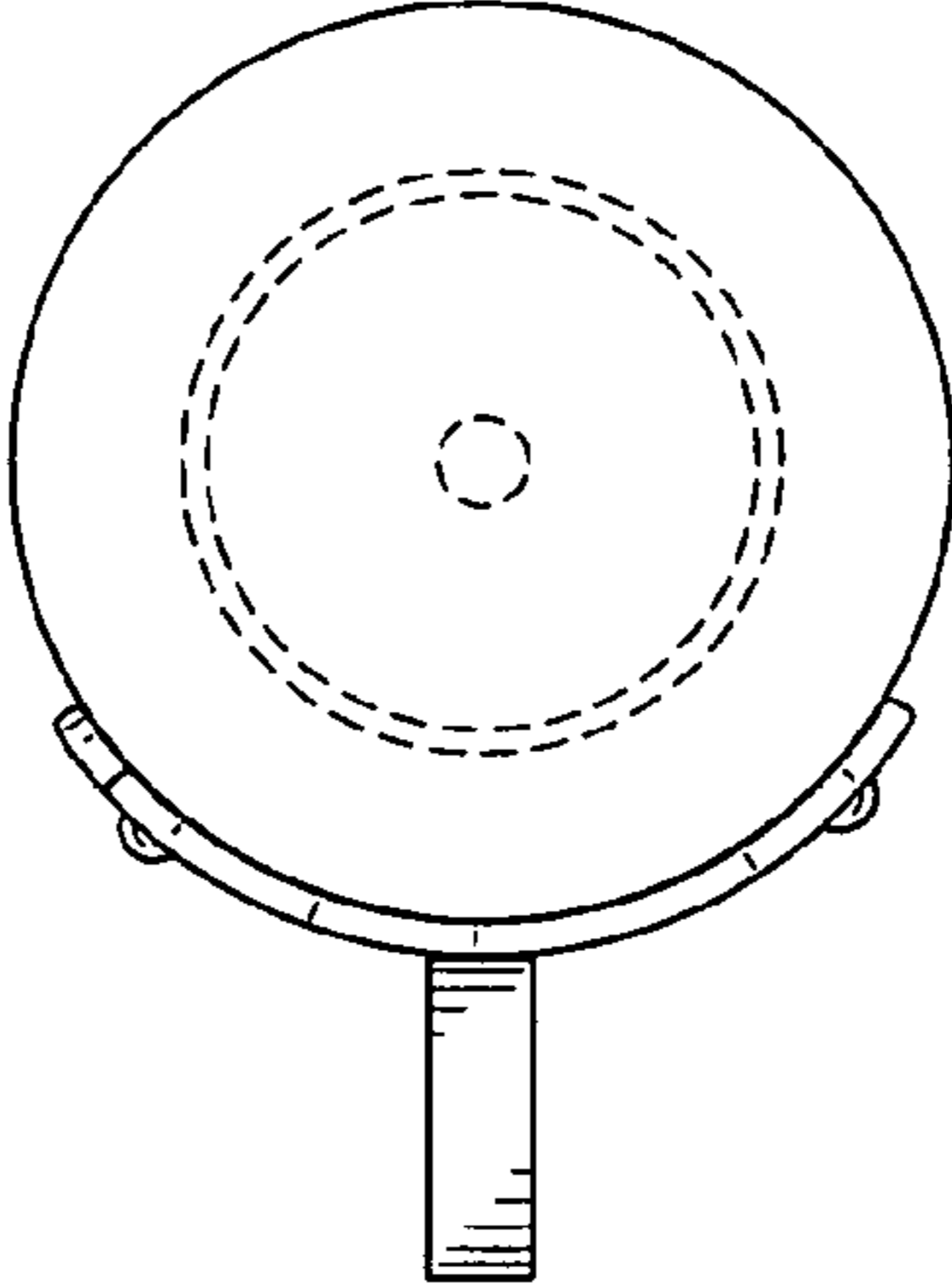


Fig. 8

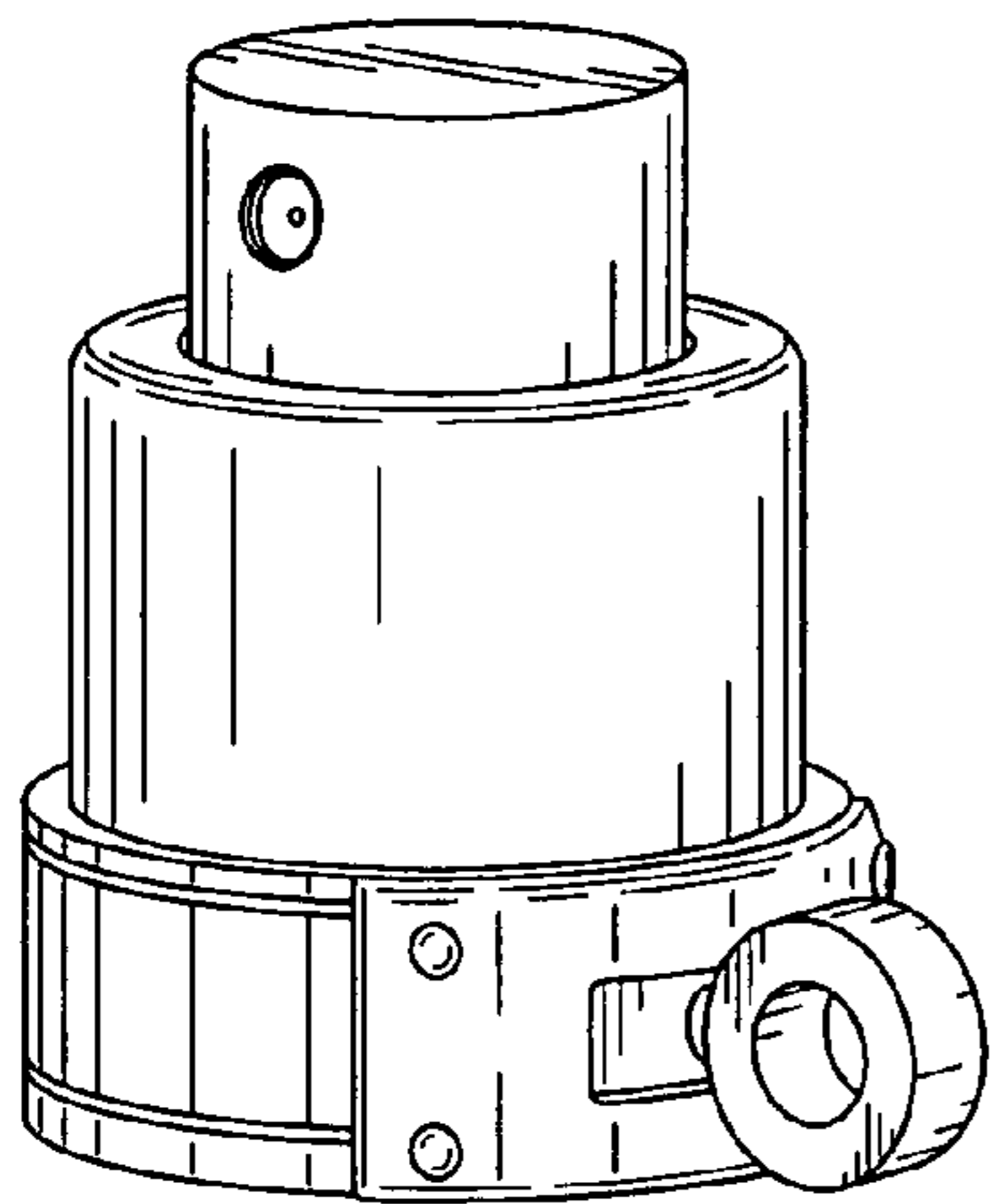


Fig. 9

