



US00D594336S

(12) **United States Design Patent**  
**Adler**

(10) **Patent No.:** **US D594,336 S**  
(45) **Date of Patent:** **\*\* \*Jun. 16, 2009**

- (54) **PHARMACY BOTTLE INCLUDING A MAGNIFYING TOOL**
- (75) Inventor: **Deborah B. Adler**, New York, NY (US)
- (73) Assignee: **Target Brands, Inc.**, Minneapolis, MN (US)

1,850,369 A 3/1932 Andrews  
 1,991,871 A 2/1935 Sindler  
 1,993,978 A 3/1935 Plochman  
 2,007,685 A 7/1935 Blake  
 2,110,768 A 3/1938 Kellogg

(Continued)

**FOREIGN PATENT DOCUMENTS**

- (\* ) Notice: This patent is subject to a terminal disclaimer.
- (\*\* ) Term: **14 Years**

EP 0 316 636 5/1989

(Continued)

**OTHER PUBLICATIONS**

- (21) Appl. No.: **29/278,438**
- (22) Filed: **Mar. 29, 2007**

Adler, "Medication Packaging and Labeling System", U.S. Appl. No. 10/437,474, filed May 14, 2003.

(Continued)

- (51) **LOC (9) Cl.** ..... **09-01**
- (52) **U.S. Cl.** ..... **D9/521; D9/563; D9/564; D9/573**
- (58) **Field of Classification Search** ..... **D9/516, D9/521-522, 530, 541-543, 560, 569-570, D9/572-575; 215/379, 381-384; 220/660, 220/662, 669-670, 674-675**  
See application file for complete search history.

*Primary Examiner*—Ian Simmons  
*Assistant Examiner*—Dana L Sipos  
 (74) *Attorney, Agent, or Firm*—Griffiths & Seaton PLLC

(57) **CLAIM**

The ornamental design for a pharmacy bottle including a magnifying tool, as shown and described.

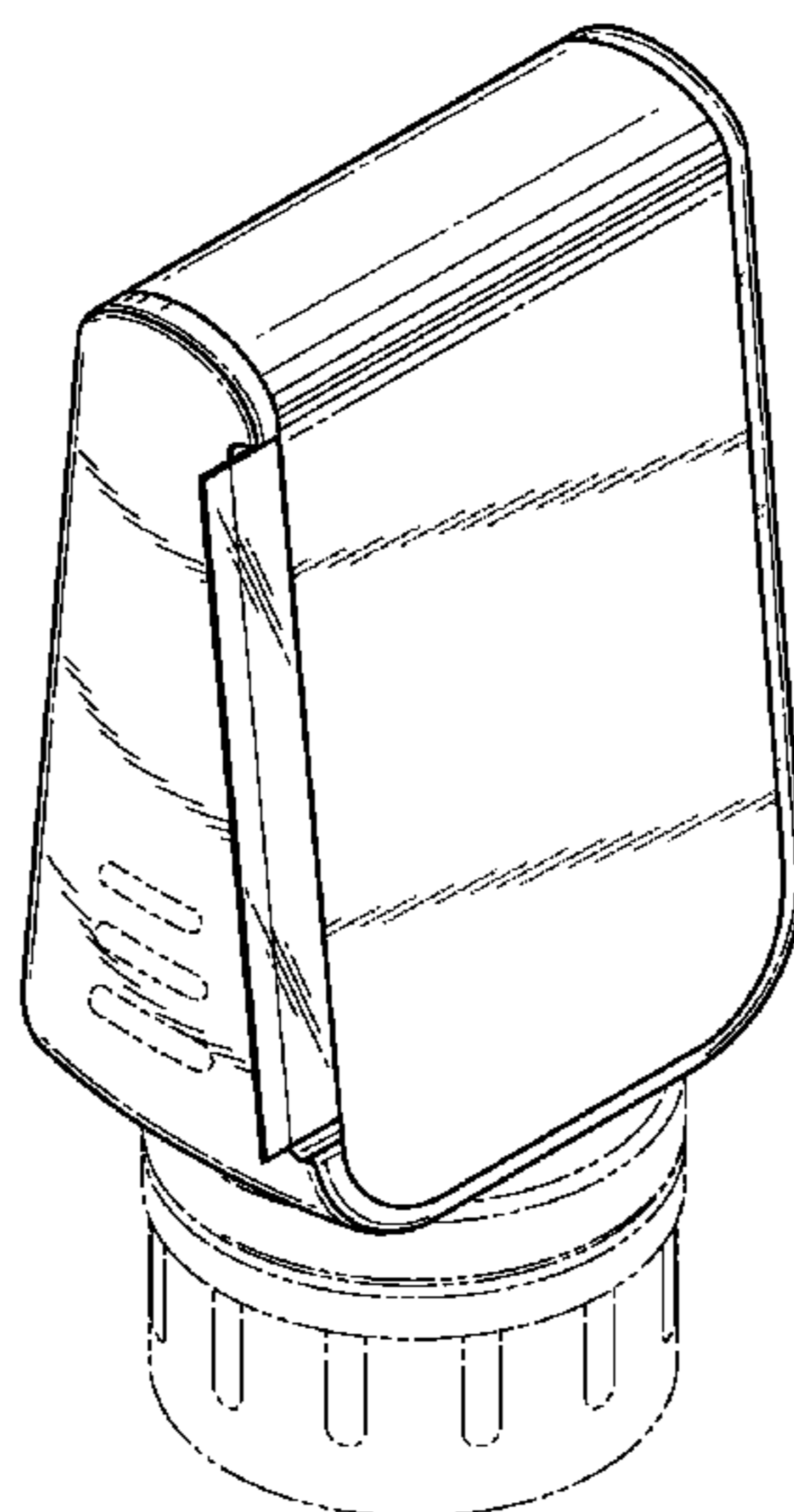
(56) **References Cited**  
**U.S. PATENT DOCUMENTS**

D11,149 S	4/1879	Hood
D18,997 S	4/1889	Underhill
406,017 A	6/1889	Woodward et al.
605,213 A	6/1898	Weller
624,701 A	5/1899	Stevenson
716,793 A	12/1902	Vogeler
D45,565 S	4/1914	Lloyd
1,181,098 A	4/1916	Lambert
1,289,218 A	12/1918	Maiden
1,411,510 A	4/1922	Peterson
1,554,191 A	9/1925	Alexander
1,653,608 A	12/1927	Allen
1,686,354 A	10/1928	Wallace
1,769,147 A	7/1930	Lennon
1,815,268 A	7/1931	Newbery

**DESCRIPTION**

FIG. 1 is a top, rear, right side, perspective view of a pharmacy bottle including a magnifying tool according to my new design.  
 FIG. 2 is a rear elevational view thereof.  
 FIG. 3 is a front elevational view thereof.  
 FIG. 4 is a left side elevational view thereof.  
 FIG. 5 is a right side elevational view thereof.  
 FIG. 6 is a top plan view thereof; and,  
 FIG. 7 is a bottom plan view thereof.  
 In the drawings, the broken lines represent environmental structure forming no part of the claim.

**1 Claim, 4 Drawing Sheets**



# US D594,336 S

Page 2

U.S. PATENT DOCUMENTS					
D128,282	S	7/1941 Gelinas et al.	D342,452	S	12/1993 Monaghan
2,270,277	A	1/1942 Dowd	D343,360	S *	1/1994 Poo ..... D9/521
D132,185	S	4/1942 McIntosh	5,301,840	A *	4/1994 Sun ..... 222/109
2,328,806	A	9/1943 Hooper	5,309,279	A	5/1994 Halstead
2,528,259	A	10/1950 Annunziata	D350,691	S	9/1994 Simion
2,659,614	A	11/1953 Cook et al.	D351,796	S	10/1994 Deddens
2,844,893	A	7/1958 Keller	5,351,991	A	10/1994 McDonald
2,847,971	A	8/1958 Painter	D355,125	S	2/1995 Patel et al.
2,920,777	A	1/1960 Cole	D355,126	S	2/1995 Paulovich et al.
2,961,108	A	11/1960 Johnson	D355,363	S *	2/1995 Iorii et al. .... D9/521
2,995,265	A	8/1961 Soderberg	5,403,636	A	4/1995 Crum
3,256,978	A	6/1966 Srigley et al.	D360,134	S	7/1995 Snyder
3,298,671	A	1/1967 Jewett et al.	5,448,844	A	9/1995 Miller, Jr. et al.
3,331,521	A	7/1967 Paige	D370,636	S	6/1996 Crawford
3,423,861	A	1/1969 Forsyth	5,601,314	A	2/1997 Burns et al.
3,433,378	A	3/1969 Ross	5,632,420	A *	5/1997 Lohrman et al. .... 222/212
3,437,194	A	4/1969 Ames et al.	5,660,138	A	8/1997 Hirsch
3,625,547	A	12/1971 Burke	5,662,239	A	9/1997 Heuvelman
3,757,994	A	9/1973 Skoetsch	D389,064	S	1/1998 Sethi et al.
3,787,993	A	1/1974 Lyon	5,704,144	A	1/1998 Groth
3,822,780	A	7/1974 Ulmer et al.	5,704,648	A	1/1998 Brown et al.
3,826,222	A	7/1974 Romick	5,713,681	A	2/1998 Venne et al.
3,850,326	A	11/1974 Ryles	5,718,347	A	2/1998 Walker et al.
3,923,180	A	12/1975 Fields	5,719,828	A	2/1998 Haas et al.
3,996,879	A	12/1976 Walton	5,729,922	A	3/1998 Peterson et al.
4,022,352	A	5/1977 Pehr	5,730,292	A	3/1998 Jones
4,044,889	A	8/1977 Orentreich et al.	5,758,440	A	6/1998 Yudin
4,064,645	A	12/1977 Wood	5,760,975	A	6/1998 DiGiovanni
RE29,793	E	10/1978 Pehr	D395,828	S	7/1998 Lecoule
4,143,786	A	3/1979 Goldberg et al.	5,779,072	A	7/1998 Krebs
4,150,760	A	4/1979 d'Orgelys	5,800,144	A	9/1998 Glenn et al.
D255,054	S	5/1980 Kingsford	5,829,789	A	11/1998 Treleaven et al.
4,246,709	A	1/1981 Selleslags	5,887,736	A	3/1999 Mar
4,263,734	A	4/1981 Bradshaw	D413,067	S	8/1999 Haley
4,284,200	A	8/1981 Bush et al.	5,980,352	A	11/1999 Rigberg
4,285,489	A	8/1981 Blanchard	D419,077	S	1/2000 Sultan
4,334,638	A	6/1982 Stock	6,023,865	A	2/2000 Preuss
D270,998	S	10/1983 Stark	D425,427	S *	5/2000 Heeter et al. .... D9/521
D274,309	S	6/1984 Aldrich, III	6,068,300	A	5/2000 Vijuk et al.
D280,601	S	9/1985 Biesecker	D427,073	S	6/2000 Gaffney et al.
D282,909	S	3/1986 Biesecker	6,081,392	A	6/2000 Pensmith
D285,535	S	9/1986 Buchholz et al.	6,086,702	A	7/2000 Rea
4,732,411	A	3/1988 Siegel	6,196,593	B1	3/2001 Petrick et al.
D295,954	S *	5/1988 Kirchhoff ..... D9/521	6,209,921	B1	4/2001 Hogan et al.
4,799,712	A	1/1989 Biava et al.	6,220,439	B1	4/2001 Virvo
D300,119	S	3/1989 Pacquin	6,226,564	B1	5/2001 Stuart
4,813,570	A	3/1989 Pontoppidan	D445,338	S	7/2001 Helleu
4,819,351	A	4/1989 Boitani	6,276,725	B1	8/2001 Laurash et al.
4,860,899	A	8/1989 McKee	6,278,545	B1	8/2001 Napier
4,863,026	A	9/1989 Perkowski	D447,694	S *	9/2001 Leggett ..... D9/521
4,881,648	A	11/1989 Hagerty	D451,809	S *	12/2001 Jones ..... D9/521
4,883,180	A	11/1989 Humphrey et al.	6,360,462	B1	3/2002 Mengel
D305,505	S	1/1990 Kunesh	6,366,401	B1	4/2002 Gonda et al.
4,890,742	A	1/1990 Allison	6,367,639	B1	4/2002 Mar
4,913,083	A	4/1990 Valvo et al.	6,367,640	B1	4/2002 Julian
4,919,285	A	4/1990 Roof et al.	6,379,007	B1	4/2002 Farb
4,941,573	A	7/1990 Fuerstman	D457,063	S *	5/2002 Bakic ..... D9/521
D312,776	S *	12/1990 Tacconelli ..... D9/521	6,386,367	B1	5/2002 Bayliss, IV
5,011,032	A	4/1991 Rollman	6,402,872	B1	6/2002 Key
5,020,682	A	6/1991 Dutt	D470,415	S	2/2003 Weber
D319,181	S	8/1991 Balavich	6,549,345	B1	4/2003 Cardarelli
5,048,870	A	9/1991 Mangini et al.	D474,690	S *	5/2003 Bakic ..... D9/521
D323,780	S	2/1992 Addante	6,594,928	B1	7/2003 Clawson et al.
5,102,169	A	4/1992 Mayfield	D480,002	S	9/2003 Canepa
5,145,080	A	9/1992 Imbery, Jr.	D480,005	S	9/2003 Conway
5,165,546	A	11/1992 Jaeger et al.	6,621,629	B2	9/2003 Blumenthal et al.
5,172,936	A	12/1992 Sullivan et al.	D480,960	S	10/2003 Gray et al.
D333,618	S	3/1993 Patel et al.	D481,165	S *	10/2003 Angeletta ..... D28/7
5,193,032	A	3/1993 Hirth	6,669,804	B2	12/2003 Pendry et al.
5,204,775	A	4/1993 McDevitt	D485,764	S *	1/2004 Bakic ..... D9/521
5,261,702	A	11/1993 Mayfield	6,681,945	B1	1/2004 Harrold
			6,722,495	B2	4/2004 Fresnel
			6,745,505	B2	6/2004 Moran



# US D594,336 S

Page 3

D497,311	S	10/2004	Walsh et al.	
6,860,390	B2	3/2005	Bowman	
6,860,513	B2	3/2005	Kaufman	
6,964,345	B2	11/2005	Wetherell, Jr. et al.	
D520,365	S	5/2006	Andoh	
D526,569	S	8/2006	Wurster et al.	
D537,349	S *	2/2007	Ball et al. ....	D9/521
D540,179	S	4/2007	Adler et al.	
D540,690	S	4/2007	Adler et al.	
D542,661	S	5/2007	Adler et al.	
7,225,937	B2	6/2007	Schroeder	
D554,999	S *	11/2007	Nukuto et al. ....	D9/521
D555,498	S *	11/2007	Bansal .....	D9/558
7,311,205	B2	12/2007	Adler	
D559,117	S *	1/2008	Nukuto et al. ....	D9/564
D566,330	S *	4/2008	Angeletta .....	D28/7
2001/0017817	A1	8/2001	De La Huerga	
2001/0054817	A1	12/2001	Kelley et al.	
2002/0020088	A1	2/2002	Kreutner	
2002/0041091	A1	4/2002	Eippert	
2002/0063739	A1	5/2002	Gosden et al.	
2002/0088732	A1	7/2002	Takahashi et al.	
2002/0129758	A1	9/2002	Hanley et al.	
2002/0162261	A1	11/2002	West et al.	
2002/0171238	A1	11/2002	Kozlowski et al.	
2003/0025320	A1	2/2003	Shoemaker	
2003/0028392	A1	2/2003	Davies	
2003/0091687	A1	5/2003	Copelan	
2003/0127351	A1	7/2003	Takahashi et al.	
2003/0147450	A1	8/2003	Witonsky et al.	
2003/0192211	A1	10/2003	Elias	
2003/0193185	A1	10/2003	Valley et al.	
2003/0205897	A1	11/2003	Kaufman	
2004/0045863	A1	3/2004	Rhoades	
2004/0050750	A1	3/2004	Hannan et al.	
2004/0056479	A1	3/2004	Fox et al.	
2004/0075272	A1	4/2004	Kaufman	
2004/0193454	A1	9/2004	Foote et al.	
2004/0237311	A1	12/2004	Brown et al.	
2006/0163103	A1	7/2006	Adler et al.	

2006/0163869	A1	7/2006	Adler et al.
2007/0029788	A1	2/2007	Adler

## FOREIGN PATENT DOCUMENTS

EP	0146095	B1	8/1989
EP	0609955	B1	4/1998
EP	0609954	B1	7/1998
EP	0924676	A2	6/1999
FR	2296391		7/1976
GB	2 006 713	A	5/1979
WO	03/098275	A2	11/2003
WO	2004/048216	A1	6/2004

## OTHER PUBLICATIONS

Adler, "Medication Packaging and Labeling System", U.S. Appl. No. 11/477,286, filed Jun. 28, 2006.

Adler et al., "Bottle System", U.S. Appl. No. 29/221,974, filed Jan. 25, 2005.

Adler et al., "Bottle System", U.S. Appl. No. 29/221,984, filed Jan. 25, 2005.

Adler et al., "Bottle System", U.S. Appl. No. 29/222,067, filed Jan. 25, 2005.

Adler et al., "Pharmacy Bottle System", U.S. Appl. No. 11/042,907, filed Jan. 25, 2005.

Adler et al., "Pharmacy Label System", U.S. Appl. No. 11/042,739, filed Jan. 25, 2005.

U.S. Appl. No. 29/296,974, filed Oct. 31, 2007, 10 pp.

"Multi-Dose, Multi-Color I.V. Bag Rings," [www.medidose.com/catalog/ivpharm/bagrings.html](http://www.medidose.com/catalog/ivpharm/bagrings.html), 1 pg.

U.S. Appl. No. 29/277,823, filed Mar. 9, 2007.

U.S. Appl. No. 29/277,825, filed Mar. 9, 2007.

U.S. Appl. No. 29/278,568, filed Apr. 2, 2007.

Written Opinion of International Application No. PCT/US2005/019401, mailed Jul. 25, 2007, 9 pp.

U.S. Appl. No. 11/042,849, filed Jan. 25, 2005.

U.S. Appl. No. 29/326,399, filed Oct. 16, 2008, Bottle Contour, Adler et al., 11 pages.

\* cited by examiner

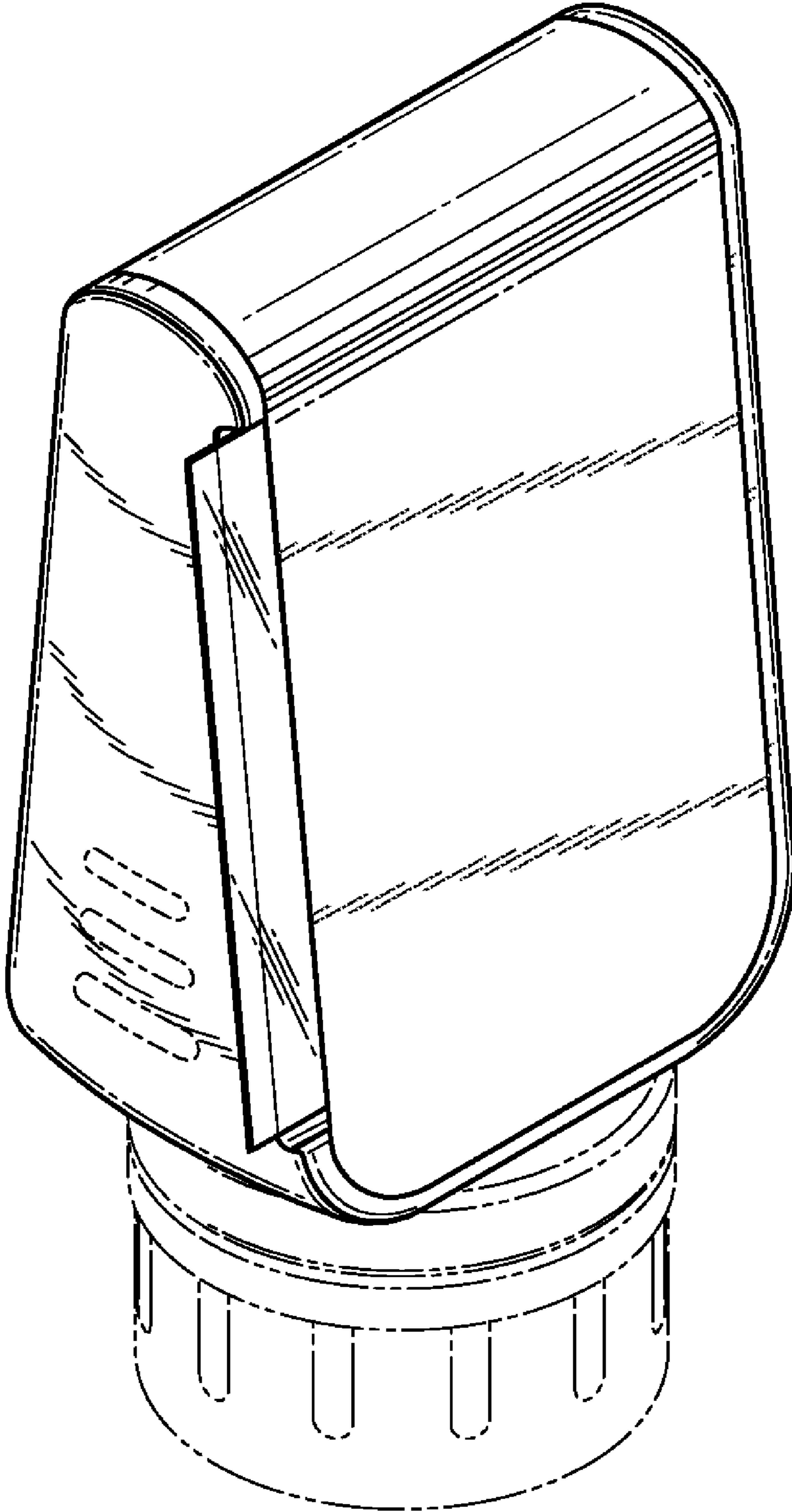


Fig. 1

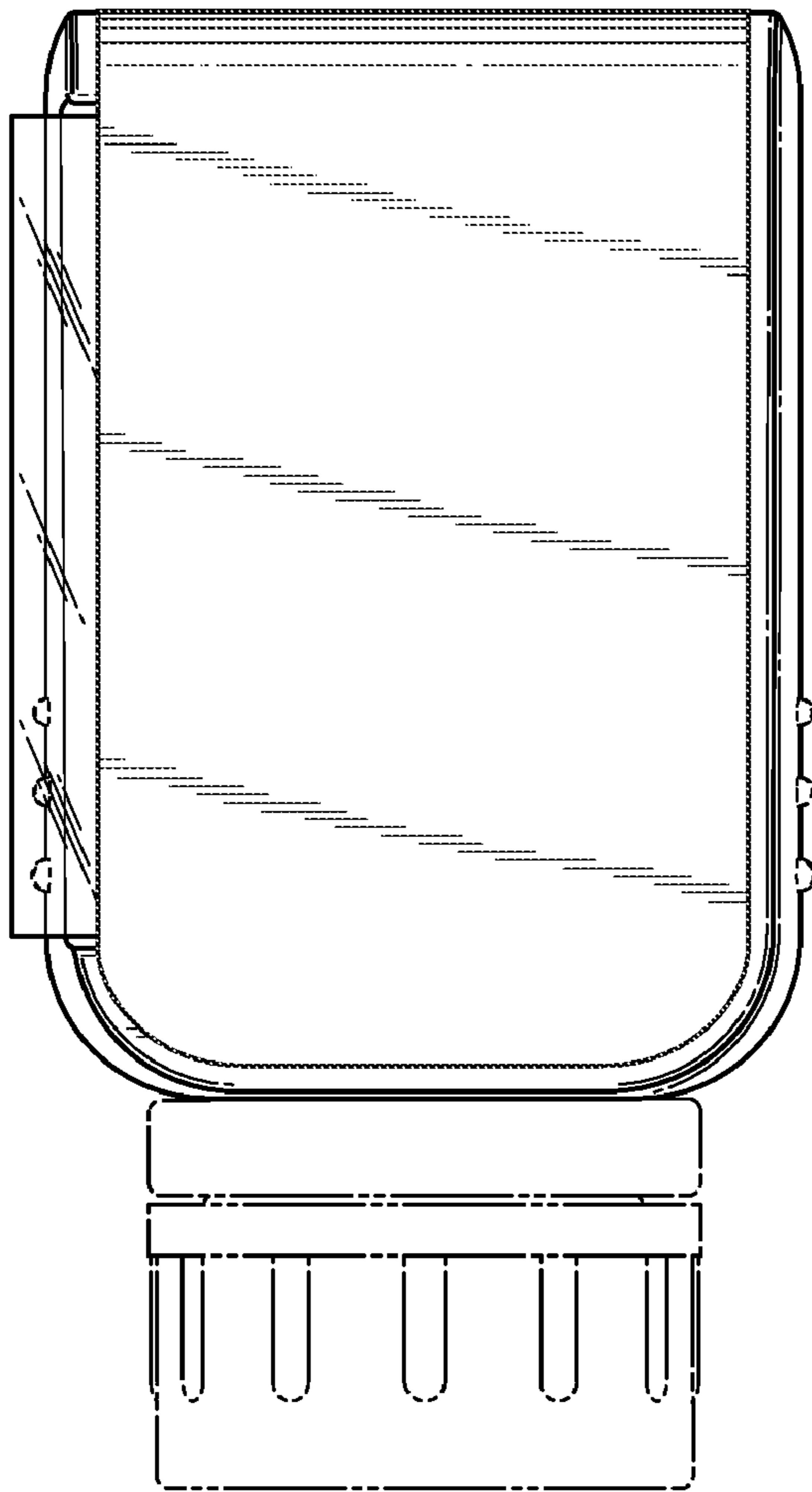


Fig. 2

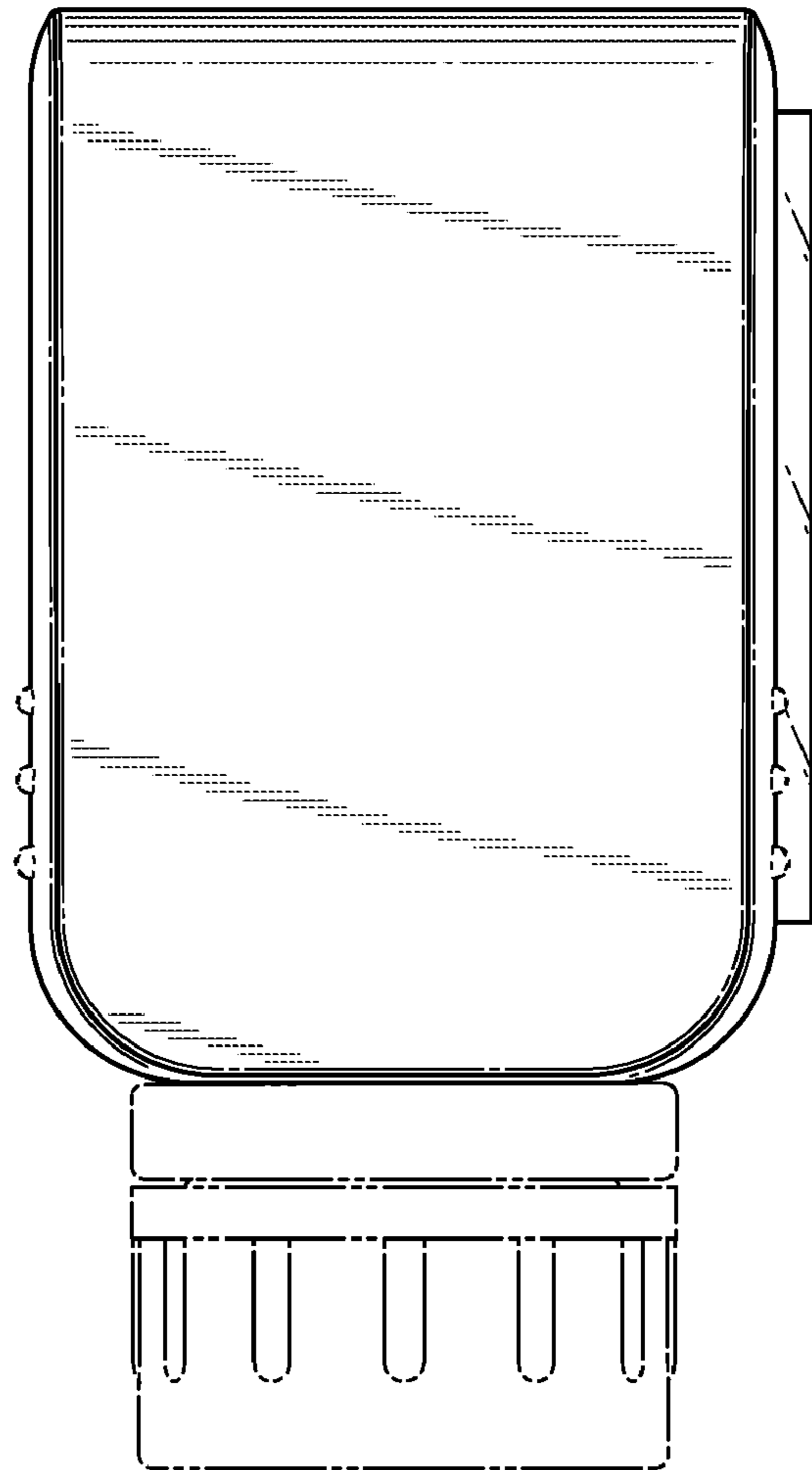


Fig. 3

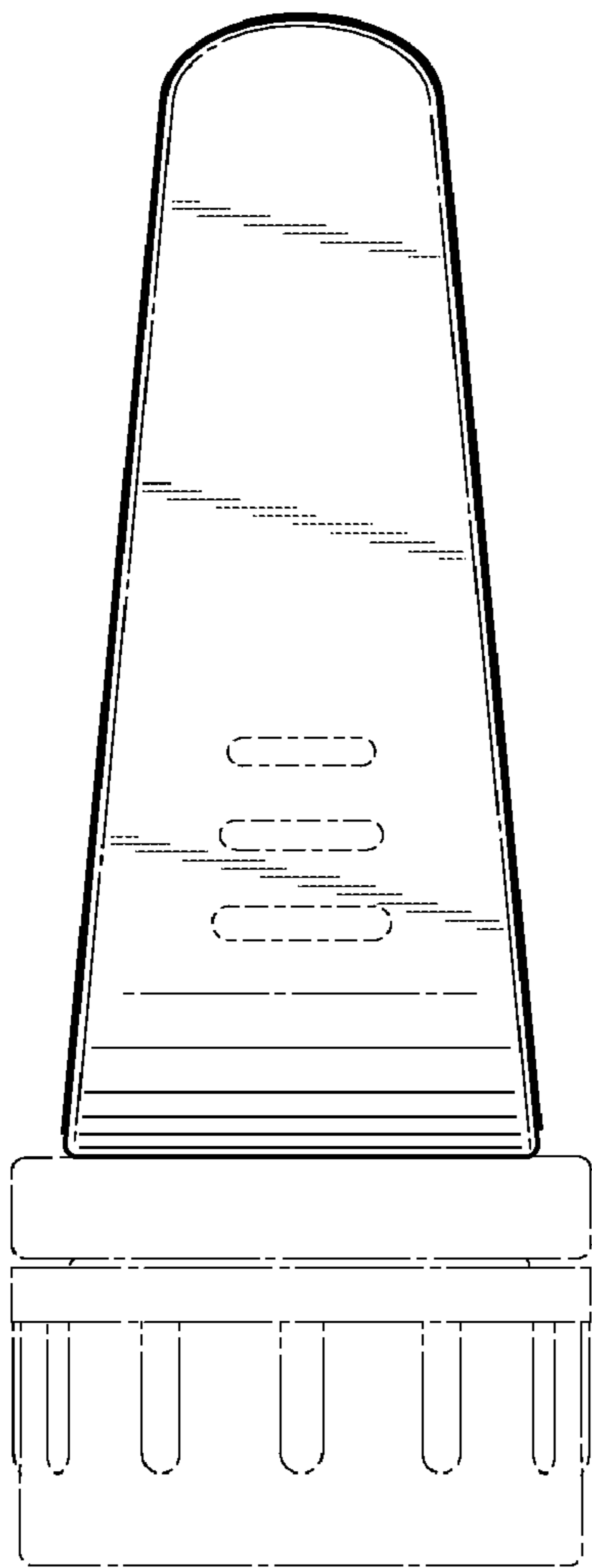


Fig. 4

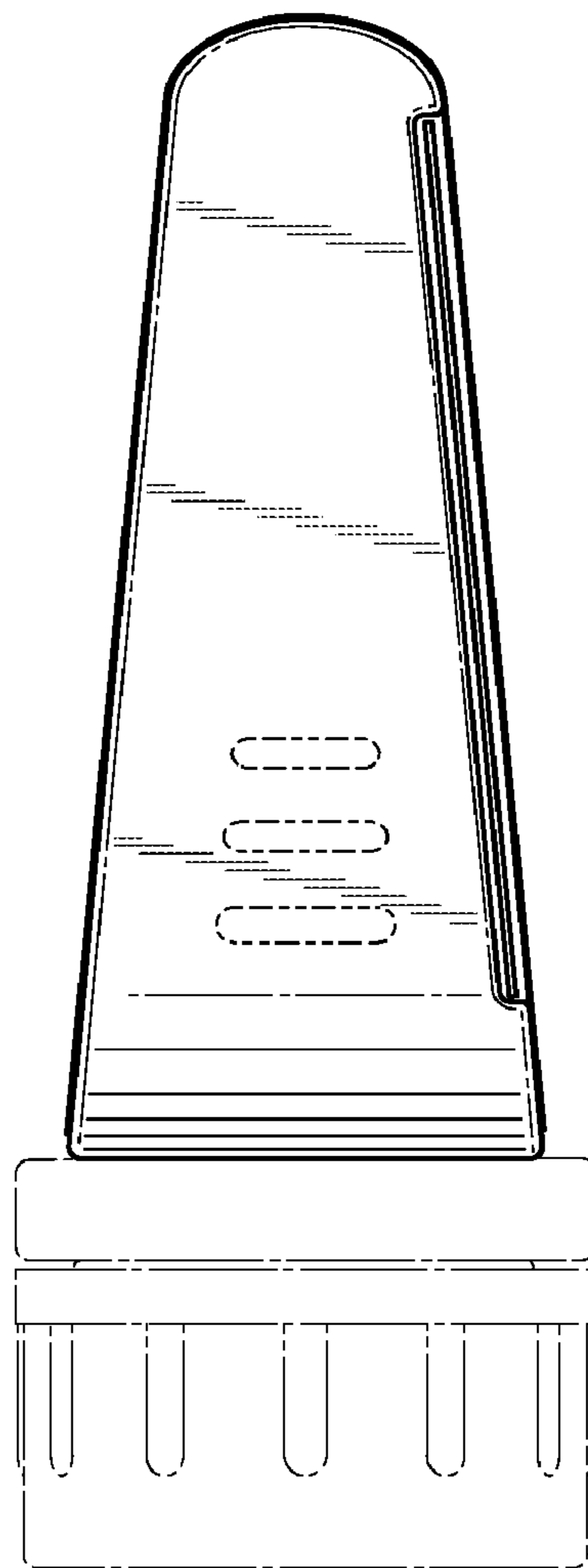


Fig. 5

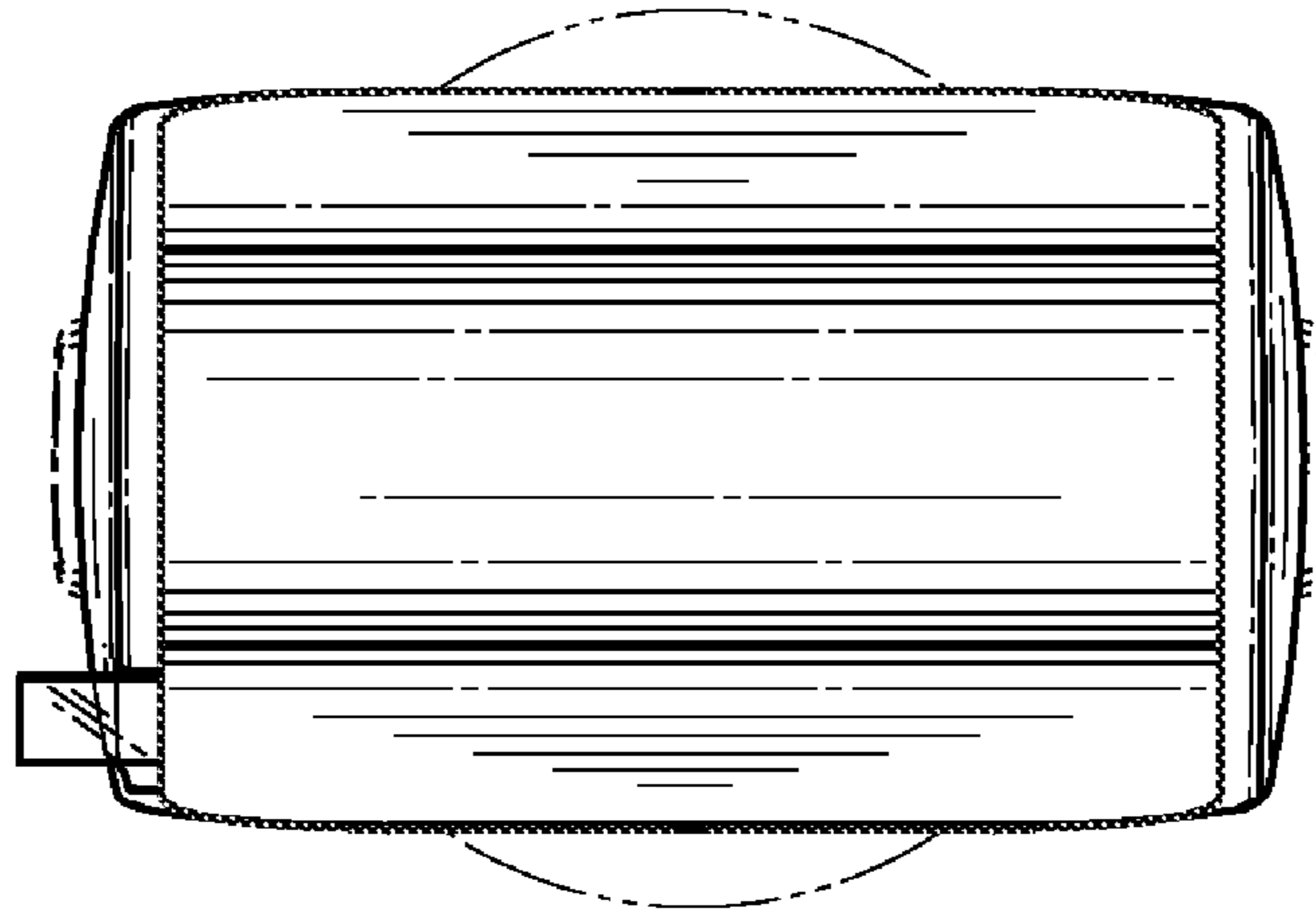


Fig. 6

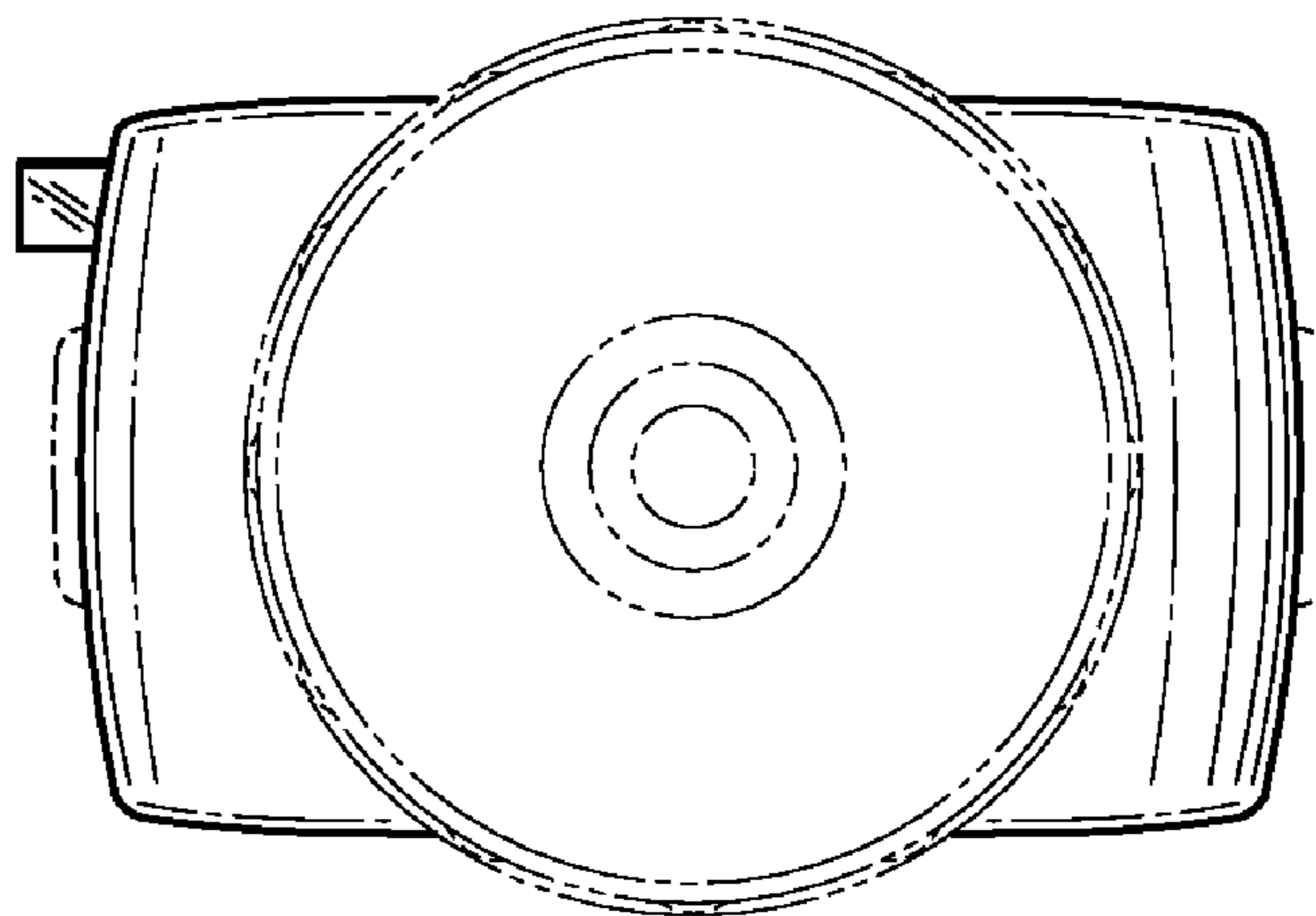


Fig. 7