

US00D594326S

(12) **United States Design Patent**  
**Colacitti**

(10) **Patent No.:** **US D594,326 S**  
(45) **Date of Patent:** **\*\* \*Jun. 16, 2009**

- (54) **ROUND VENTED CONTAINER**
- (75) Inventor: **Gregory Colacitti**, Toronto (CA)
- (73) Assignee: **Tripak Industrial Corporation**,  
Toronto, Ontario (CA)
- (\*) Notice: This patent is subject to a terminal disclaimer.
- (\*\*) Term: **14 Years**
- (21) Appl. No.: **29/318,371**
- (22) Filed: **May 19, 2008**

- 5,046,659 A 9/1991 Warburton
- D335,085 S 4/1993 Wacker
- 5,220,999 A 6/1993 Goulette
- D339,744 S 9/1993 Seppala
- 5,377,860 A 1/1995 Littlejohn et al.
- D357,552 S 4/1995 Carranza
- D361,035 S 8/1995 Krupa
- D363,879 S 11/1995 Krupa et al.
- 5,515,993 A 5/1996 McManus
- D372,862 S 8/1996 Fiori
- D373,954 S 9/1996 Wolff
- D375,261 S 11/1996 Fiori

**Related U.S. Application Data**

- (63) Continuation-in-part of application No. 29/317,171, filed on Apr. 23, 2008.

- (51) **LOC (9) Cl.** ..... **09-03**
- (52) **U.S. Cl.** ..... **D9/425; D7/354**
- (58) **Field of Classification Search** ..... D7/354,  
D7/359, 391-392.1, 392, 396.2, 500-505,  
D7/510-511, 538-545, 602, 629; D9/414-418,  
D9/420-429, 430-435, 440, 443-444, 447-454,  
D9/629, 737, 761; 206/503, 521.1, 541,  
206/564; 220/4.21, 23.8, 23.83, 315, 324,  
220/326, 367, 556, 835, 839; 229/110, 406-407,  
229/902-906  
See application file for complete search history.

**References Cited**

**U.S. PATENT DOCUMENTS**

- 2,880,859 A 4/1959 Tupper
- 3,394,861 A 7/1968 Truax
- 3,720,365 A 3/1973 Unger
- 3,955,710 A 5/1976 Commisso
- D241,399 S \* 9/1976 Christain ..... D7/540
- D246,289 S 11/1977 Boucher
- D263,684 S 4/1982 Davis
- RE32,739 E 8/1988 Terauds
- D309,554 S \* 7/1990 Meisner ..... D7/629
- 4,974,738 A 12/1990 Kidd et al.

(Continued)

*Primary Examiner*—Caron Veynar  
*Assistant Examiner*—Ricky Pham  
(74) *Attorney, Agent, or Firm*—Pabst Patent Group LLP

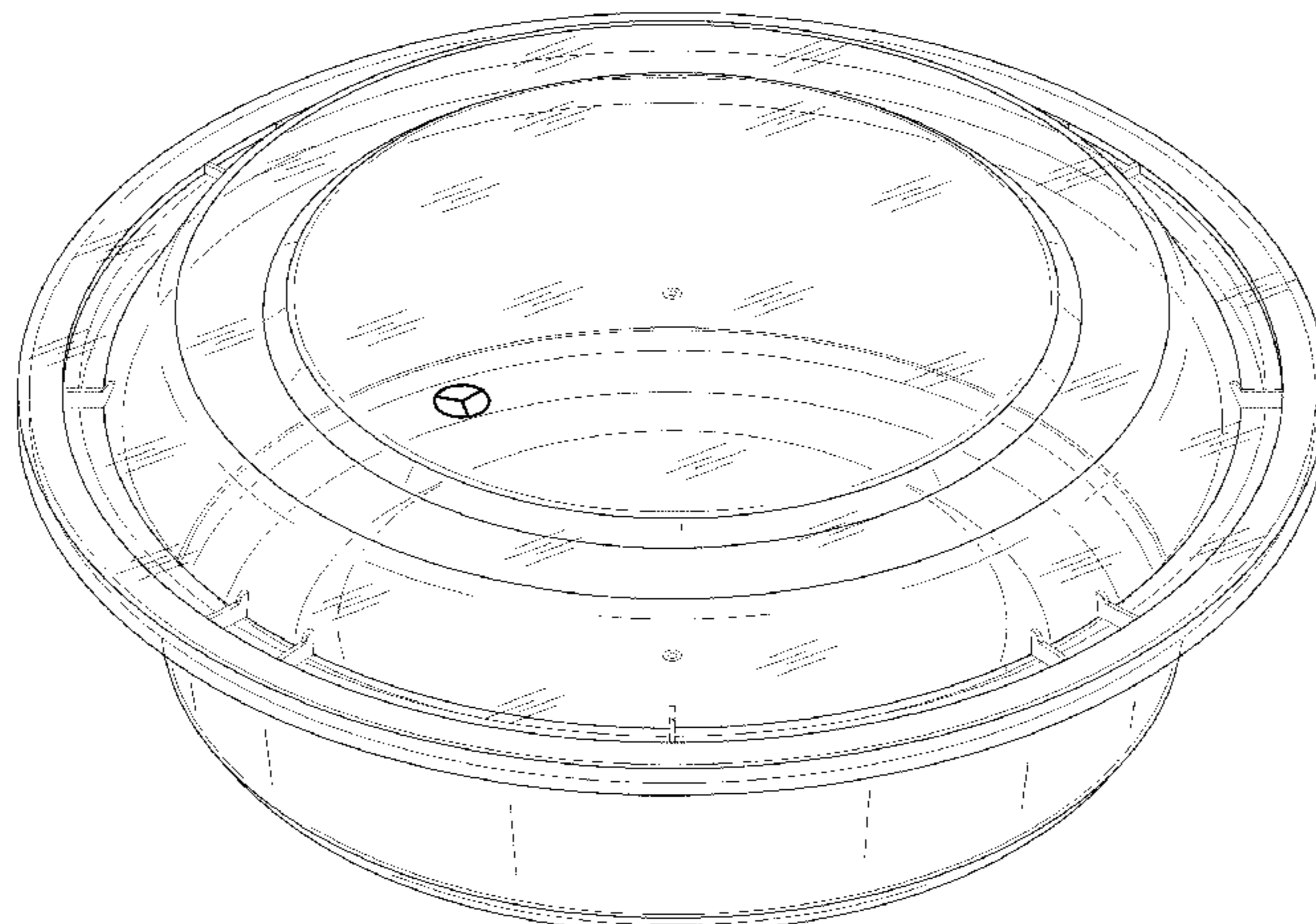
(57) **CLAIM**

The ornamental design for a round vented container, as shown and described.

**DESCRIPTION**

FIG. 1 is a side elevational view of the container with lid, with the other side elevational views being mirror images thereof; FIG. 2 is a top plan view of the container with lid; FIG. 3 is a bottom plan view of the container with lid; FIG. 4 is a perspective view of the container with lid; FIG. 5 is a side elevational view of the container, with the other side elevational view being a mirror image thereof; shown without the lid for ease of illustration; FIG. 6 is a perspective view of the container; FIG. 7 is a side elevational view of the lid, with the other side elevational view being a mirror image thereof; shown without the container for ease of illustration; FIG. 8 is a top plan view of the lid; and, FIG. 9 is a bottom plan view of the lid.

**1 Claim, 9 Drawing Sheets**



# US D594,326 S

Page 2

## U.S. PATENT DOCUMENTS

D376,314 S	12/1996	Krupa		D469,689 S	2/2003	Buchalski et al.	
D380,124 S	6/1997	Kato et al.		D475,621 S *	6/2003	Buchalski et al. ....	D9/428
D382,796 S	8/1997	Mangla		D476,861 S *	7/2003	Zettle et al. ....	D7/629
D389,057 S	1/1998	Hayes et al.		D486,358 S *	2/2004	Dais et al. ....	D7/629
D407,015 S	3/1999	Jones		D491,455 S *	6/2004	Li .....	D9/428
5,897,011 A	4/1999	Brilliant et al.		D497,548 S *	10/2004	Nordland .....	D9/428
D409,485 S	5/1999	Christy, Jr.		7,055,712 B2 *	6/2006	Tang .....	220/4.21
D415,420 S	10/1999	Chen		7,124,910 B2 *	10/2006	Nordland .....	220/839
D417,367 S *	12/1999	Laib .....	D7/602	D545,627 S *	7/2007	Chatterton et al. ....	D7/538
D439,159 S	3/2001	Chen		D549,050 S *	8/2007	Spencer et al. ....	D7/538
D467,497 S *	12/2002	Liu et al. ....	D9/429				

\* cited by examiner

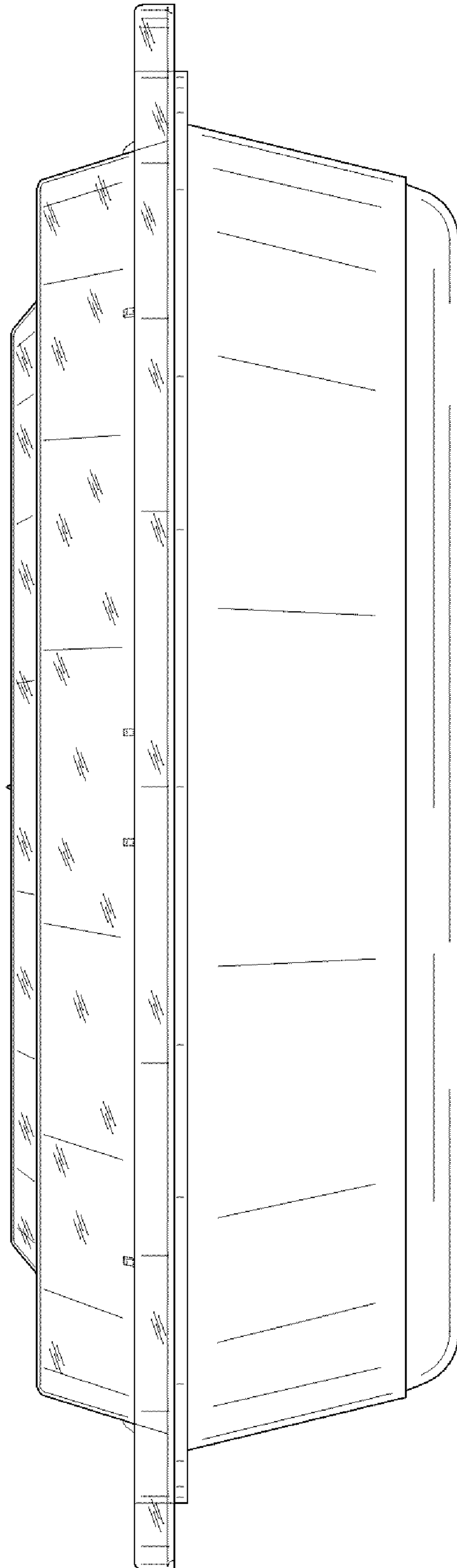


FIG. 1

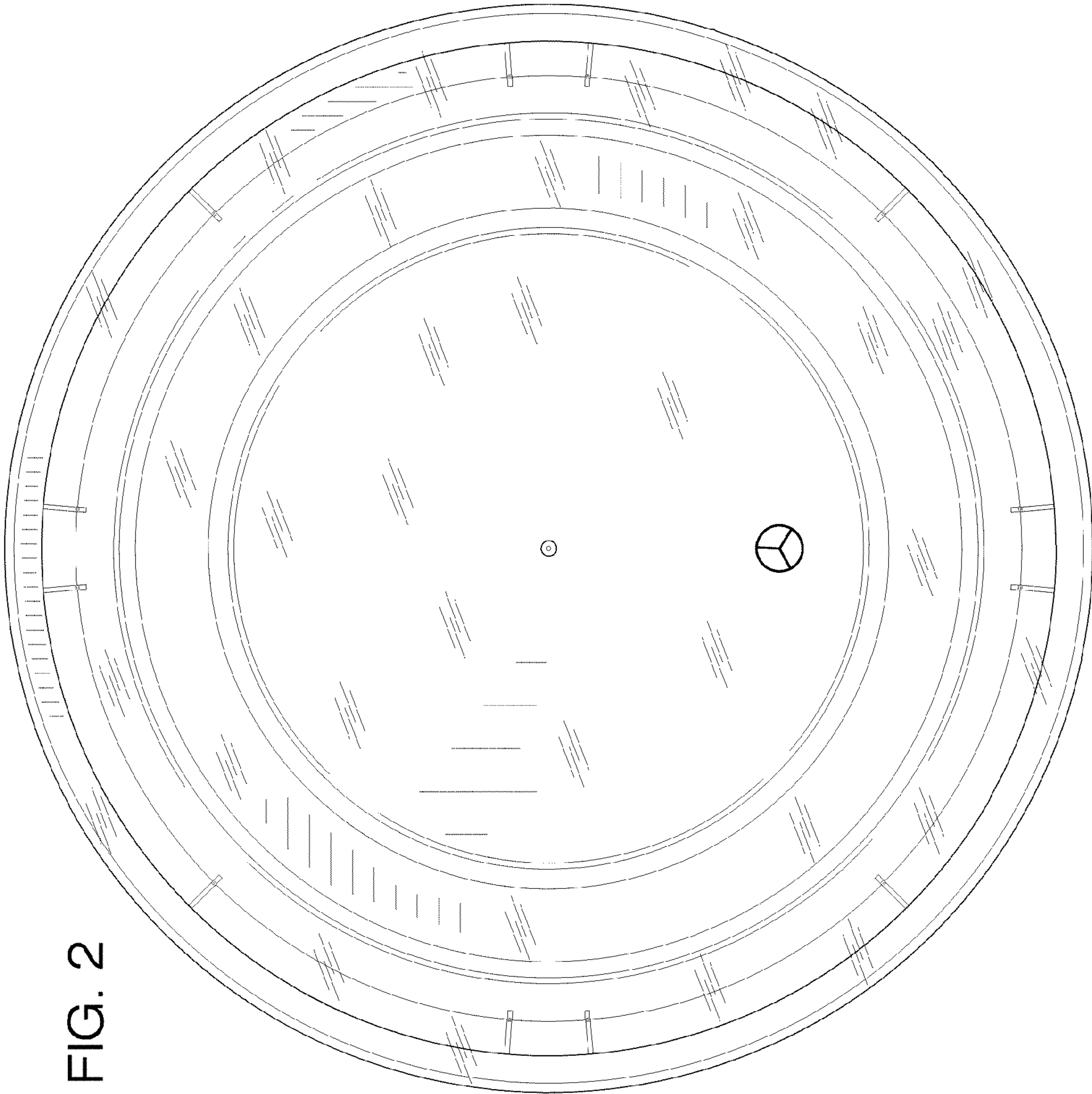


FIG. 2



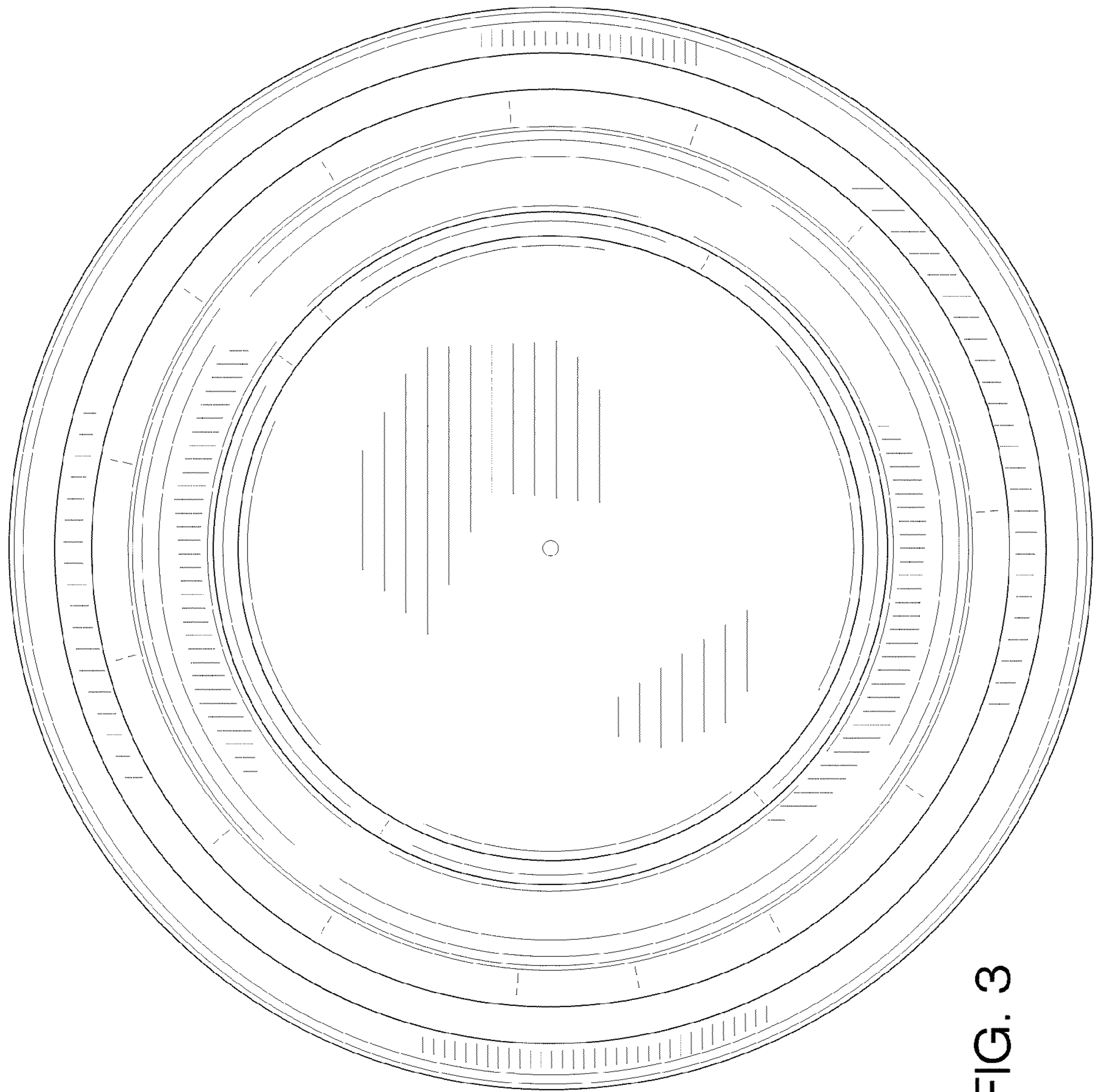


FIG. 3

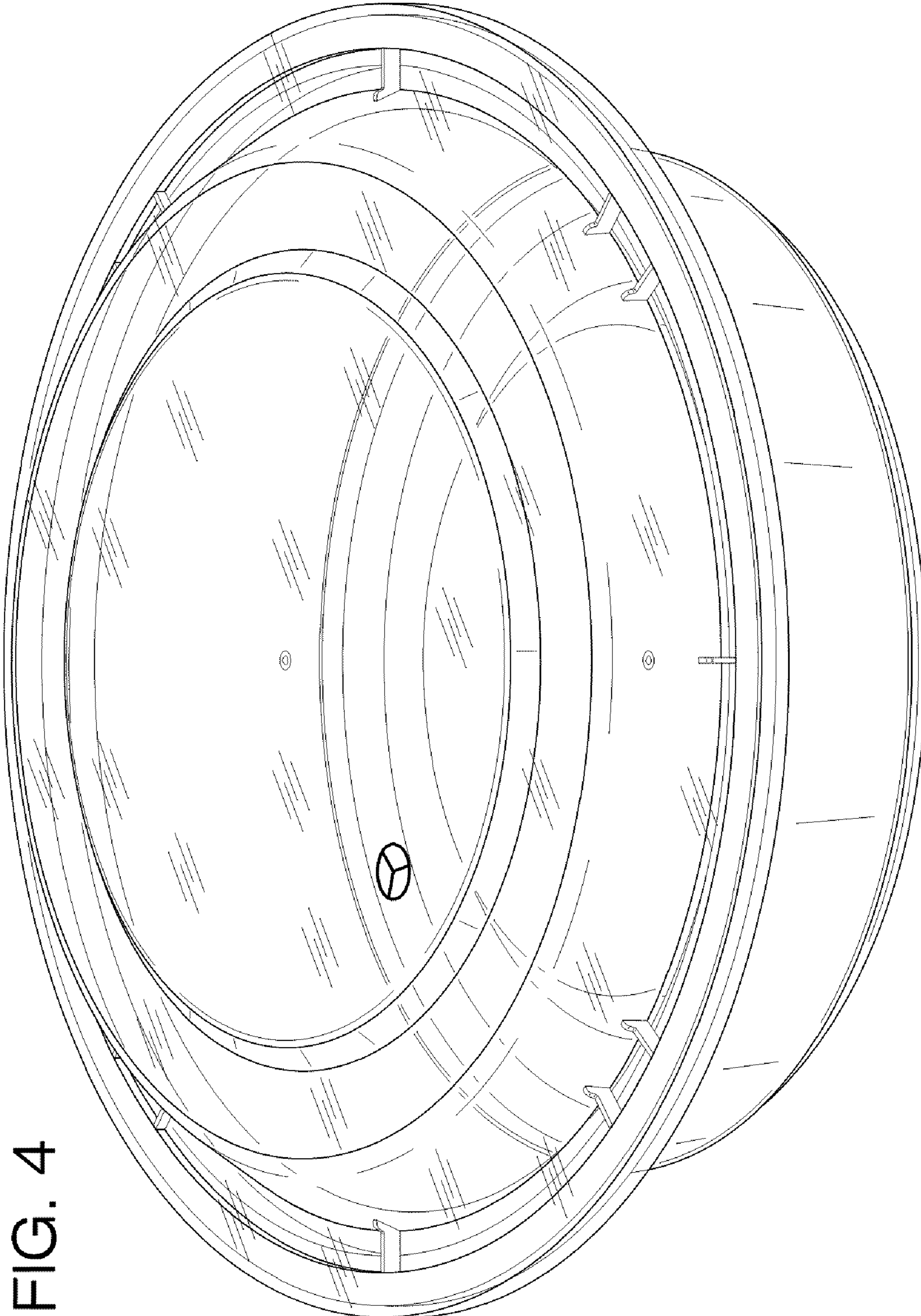


FIG. 4

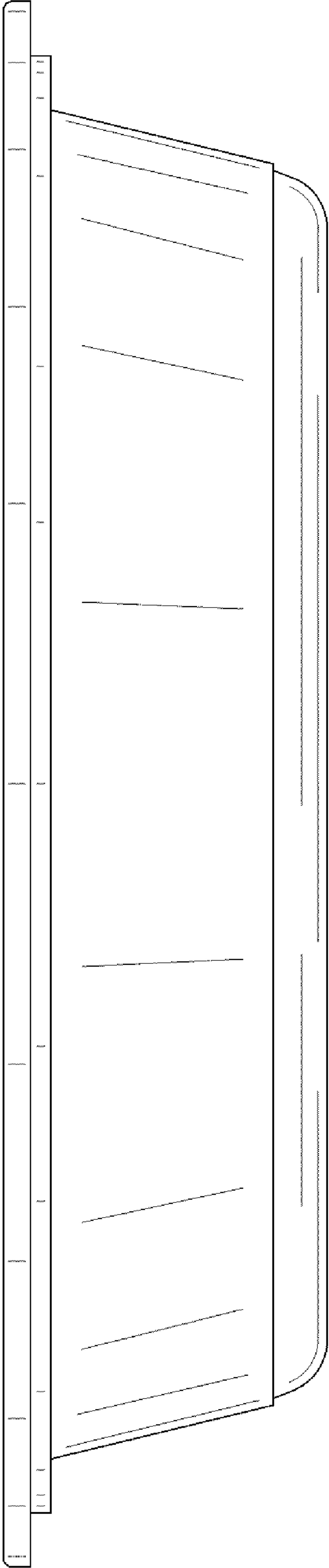


FIG. 5

FIG. 6

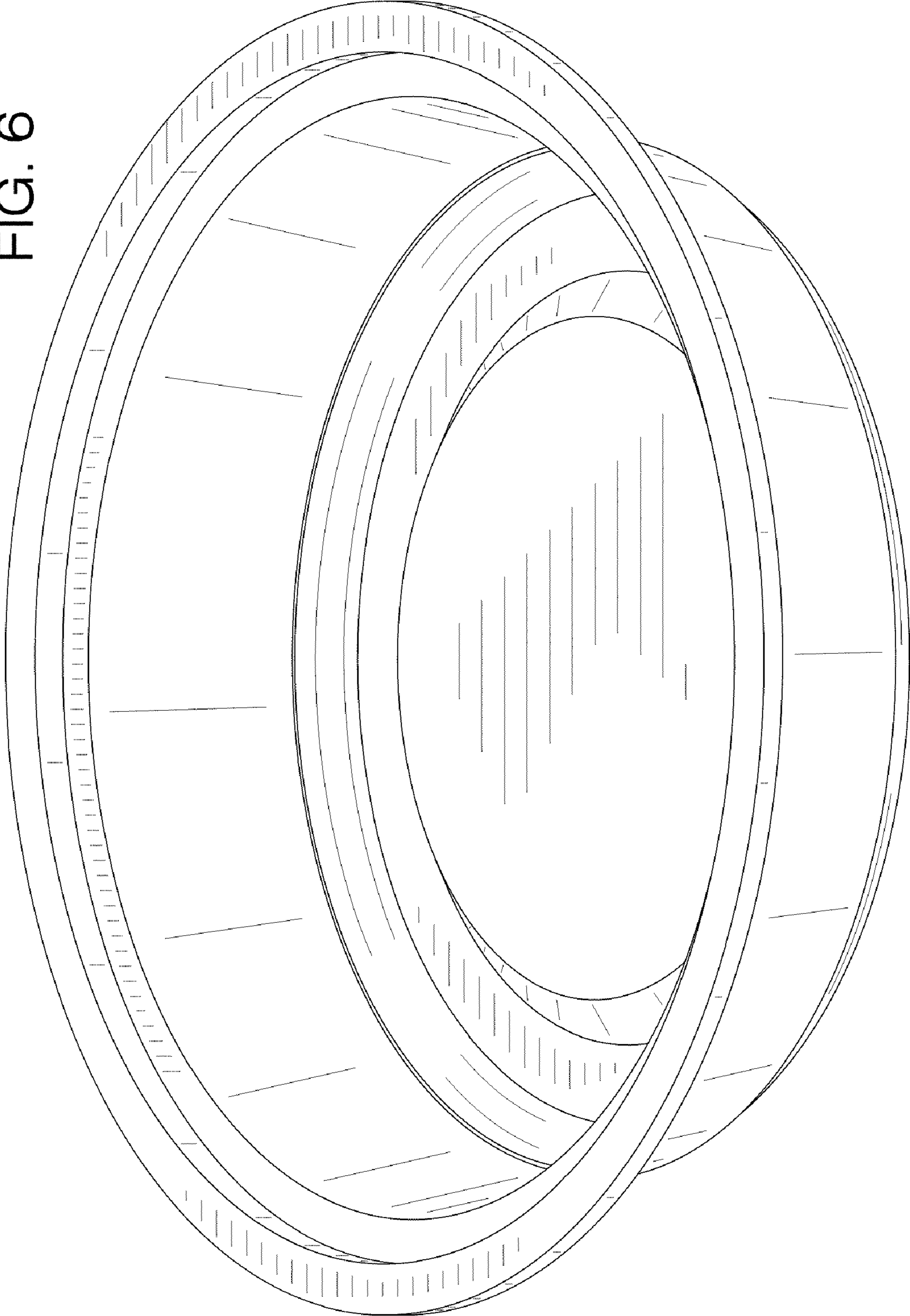
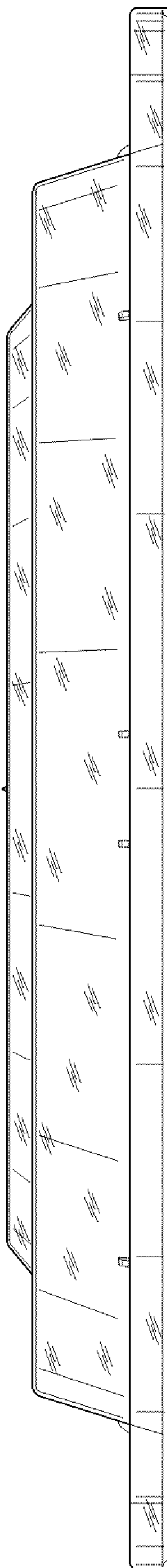




FIG. 7



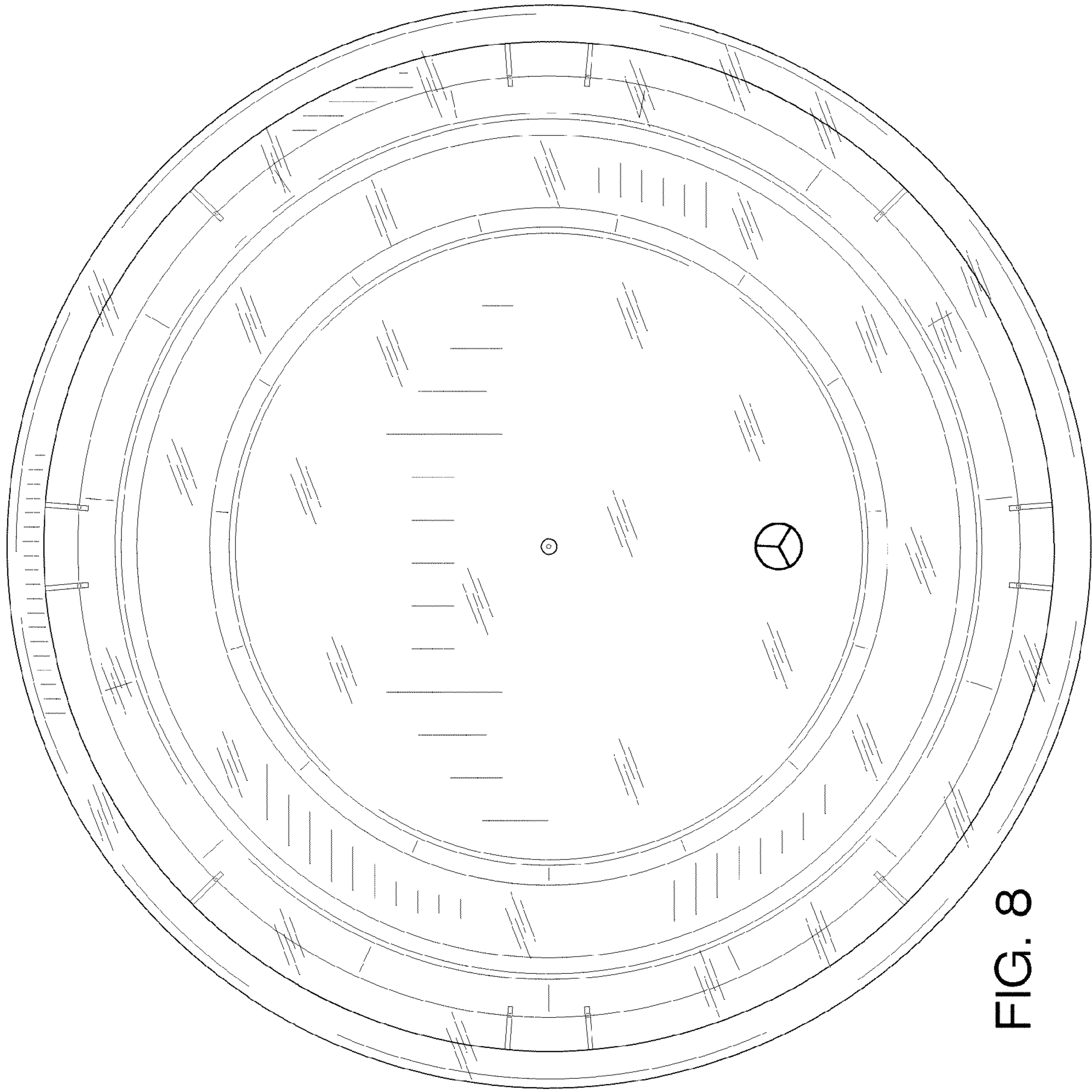


FIG. 8

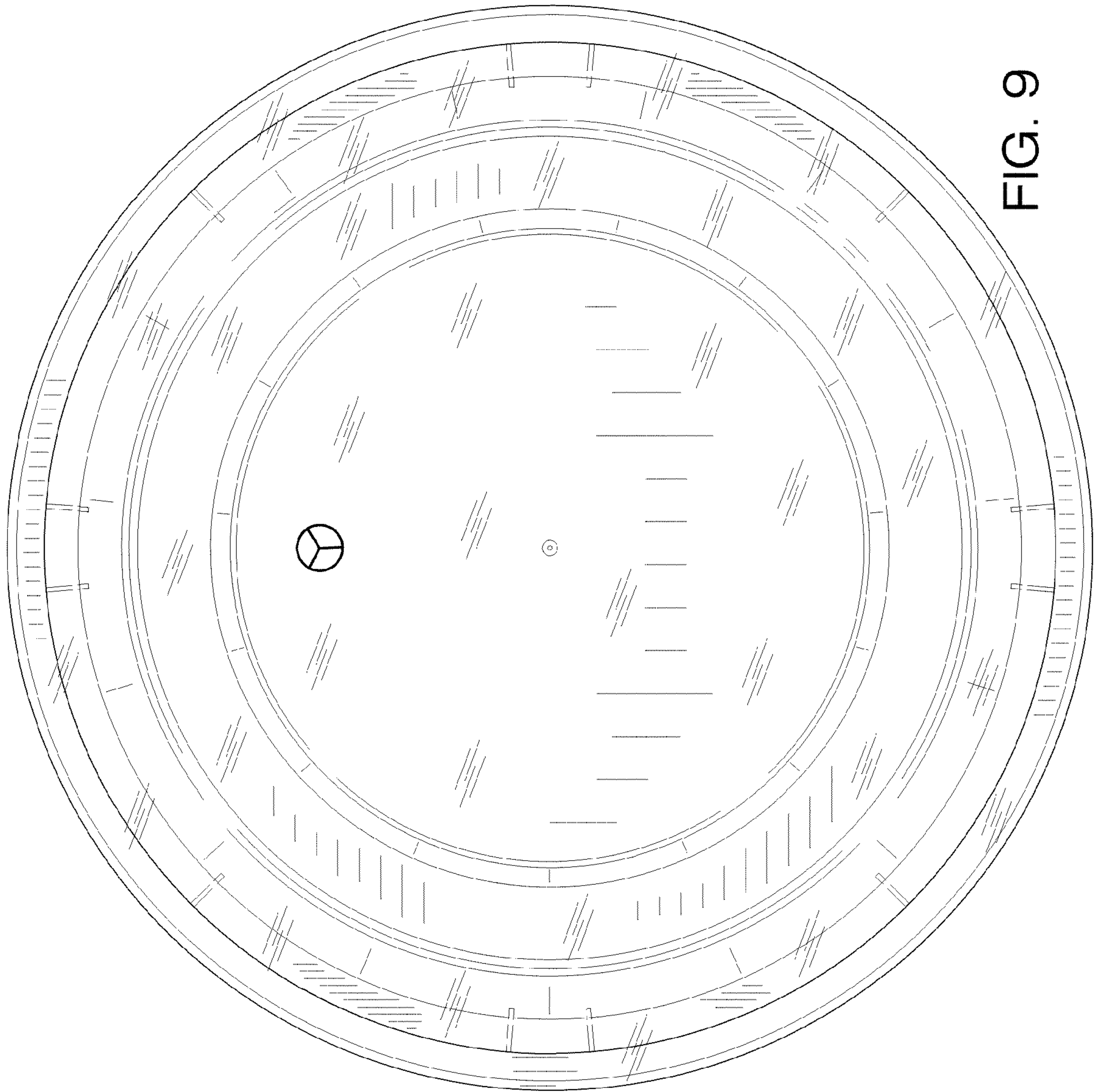


FIG. 9