

US00D594324S

(12) **United States Design Patent**
Colacitti

(10) **Patent No.:** **US D594,324 S**
(45) **Date of Patent:** **** Jun. 16, 2009**

- (54) **ROUND VENTED CONTAINER**
- (75) Inventor: **Gregory Colacitti**, Toronto (CA)
- (73) Assignee: **Tripak Industrial Corporation**,
Toronto, Ontario (CA)
- (**) Term: **14 Years**
- (21) Appl. No.: **29/317,171**
- (22) Filed: **Apr. 23, 2008**
- (51) **LOC (9) Cl.** **09-03**
- (52) **U.S. Cl.** **D9/425; D7/354**
- (58) **Field of Classification Search** D7/354,
D7/359, 391-392.1, 396.2, 500-505, 510-511,
D7/538-545, 602, 629; D9/414-418, 420-429,
D9/430-435, 440, 443-444, 447-454, 629,
D9/737, 761; 206/503, 521.1, 541, 564;
220/4.21, 23.8, 23.83, 315, 324, 326, 367,
220/556, 835, 839; 229/110, 406-407, 902-906
See application file for complete search history.

(56) **References Cited**

U.S. PATENT DOCUMENTS

2,880,859	A	4/1959	Tupper	
3,394,861	A	7/1968	Truax	
3,720,365	A	3/1973	Unger	
3,955,710	A	5/1976	Commisso	
D241,399	S *	9/1976	Christain	D7/540
D246,289	S	11/1977	Boucher	
D263,684	S	4/1982	Davis	
RE32,739	E	8/1988	Terauds	
D309,554	S *	7/1990	Meisner	D7/629
4,974,738	A	12/1990	Kidd et al.	
5,046,659	A	9/1991	Warburton	
D335,085	S	4/1993	Wacker	
5,220,999	A	6/1993	Goulette	
D339,744	S	9/1993	Seppala	
5,377,860	A	1/1995	Littlejohn et al.	
D357,552	S	4/1995	Carranza	
D361,035	S	8/1995	Krupa	
D363,879	S	11/1995	Krupa et al.	
5,515,993	A	5/1996	McManus	

D372,862	S	8/1996	Fiori	
D373,954	S	9/1996	Wolff	
D375,261	S	11/1996	Fiori	
D376,314	S	12/1996	Krupa	
D380,124	S	6/1997	Kato et al.	
D382,796	S	8/1997	Mangla	
D389,057	S	1/1998	Hayes et al.	
D407,015	S	3/1999	Jones	
5,897,011	A	4/1999	Brilliant et al.	
D409,485	S	5/1999	Christy, Jr.	
D415,420	S	10/1999	Chen	
D417,367	S *	12/1999	Laib	D7/602
D439,159	S	3/2001	Chen	
D467,497	S *	12/2002	Liu et al.	D9/429
D469,689	S	2/2003	Buchalski et al.	
D475,621	S *	6/2003	Buchalski et al.	D9/428

(Continued)

Primary Examiner—Caron Veynar
Assistant Examiner—Ricky Pham
(74) *Attorney, Agent, or Firm*—Pabst Patent Group LLP

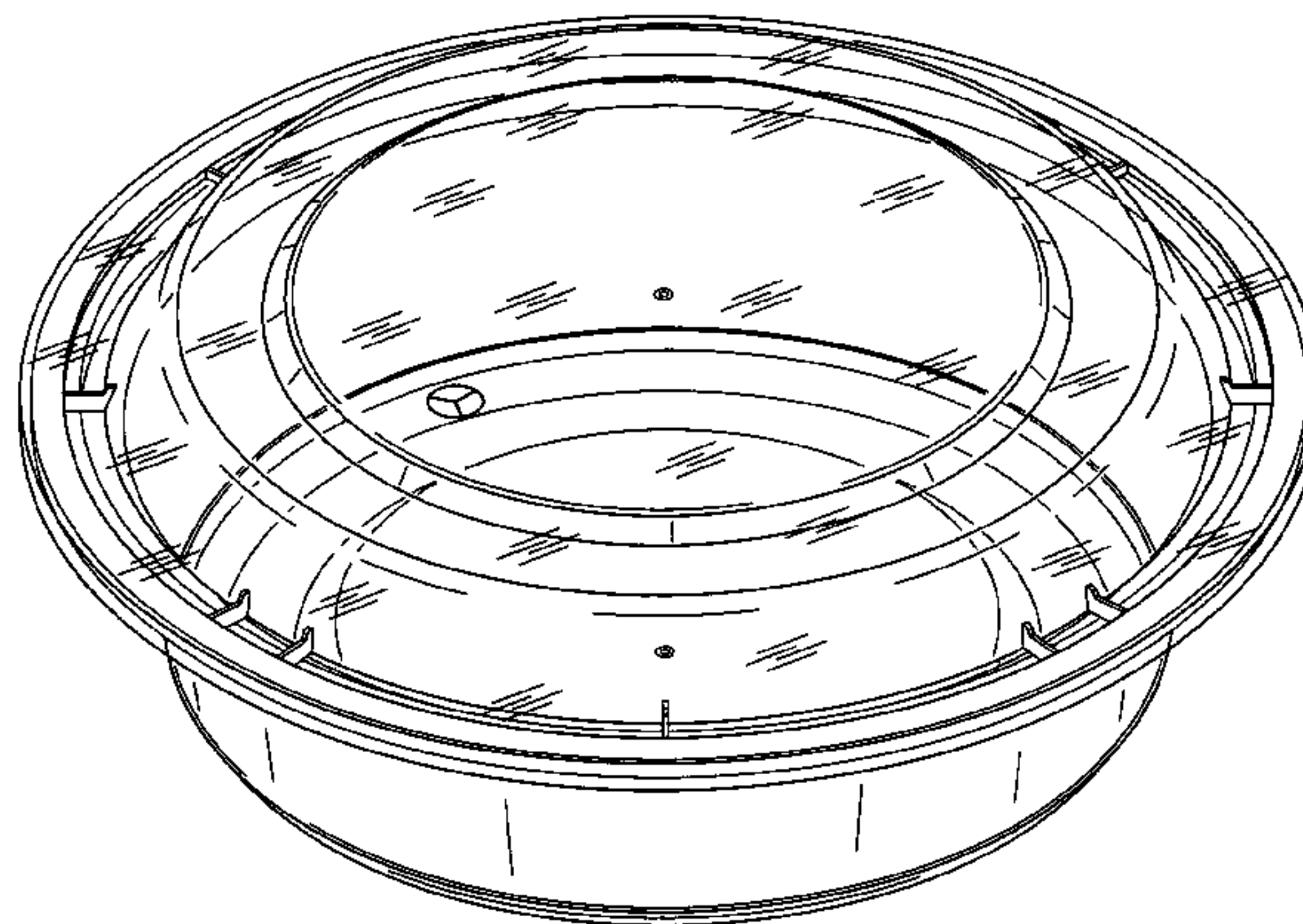
(57) **CLAIM**

The ornamental design for a round vented container, as shown and described.

DESCRIPTION

FIG. 1 is a side elevational view of the container with lid, with the other side elevational views being mirror images thereof; FIG. 2 is a top plan view of the container with lid; FIG. 3 is a bottom plan view of the container with lid; FIG. 4 is a perspective view of the container with lid; FIG. 5 is a side elevational view of the container, with the other side elevational view being a mirror image thereof; shown without the lid for ease of illustration; FIG. 6 is a perspective view of the container; FIG. 7 is a side elevational view of the lid, with the other side elevational view being a mirror image thereof; shown without the container for ease of illustration; FIG. 8 is a top plan view of the lid; and, FIG. 9 is a bottom plan view of the lid.

1 Claim, 9 Drawing Sheets



US D594,324 S

Page 2

U.S. PATENT DOCUMENTS

D476,861 S *	7/2003	Zettle et al.	D7/629	7,055,712 B2 *	6/2006	Tang	220/4.21
D486,358 S *	2/2004	Dais et al.	D7/629	7,124,910 B2 *	10/2006	Nordland	220/839
D491,455 S *	6/2004	Li	D9/428	D545,627 S *	7/2007	Chatterton et al.	D7/538
D497,548 S *	10/2004	Nordland	D9/428	D549,050 S *	8/2007	Spencer et al.	D7/538

* cited by examiner

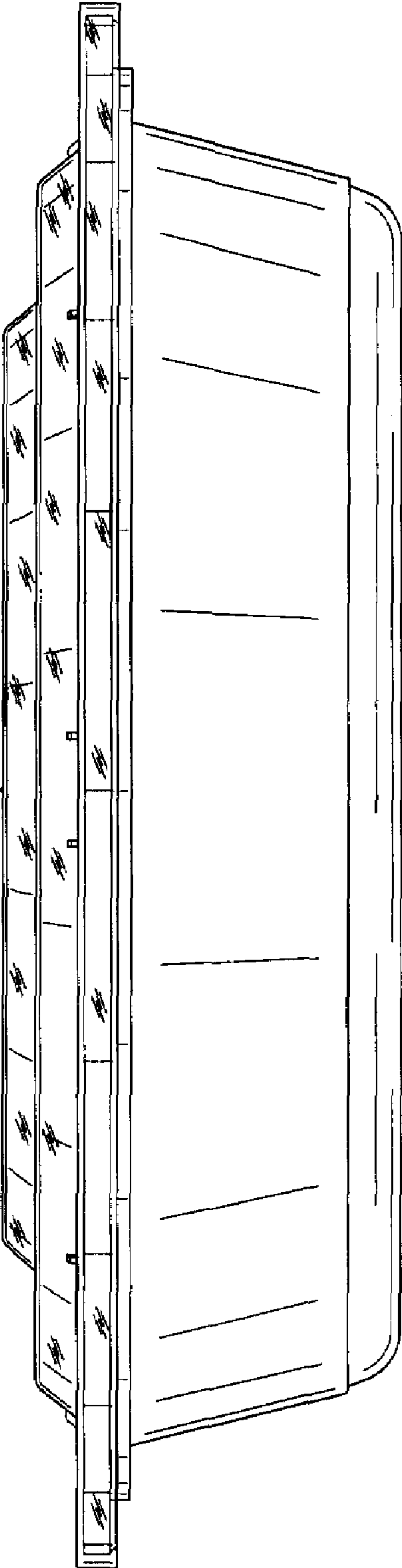


FIG. 1

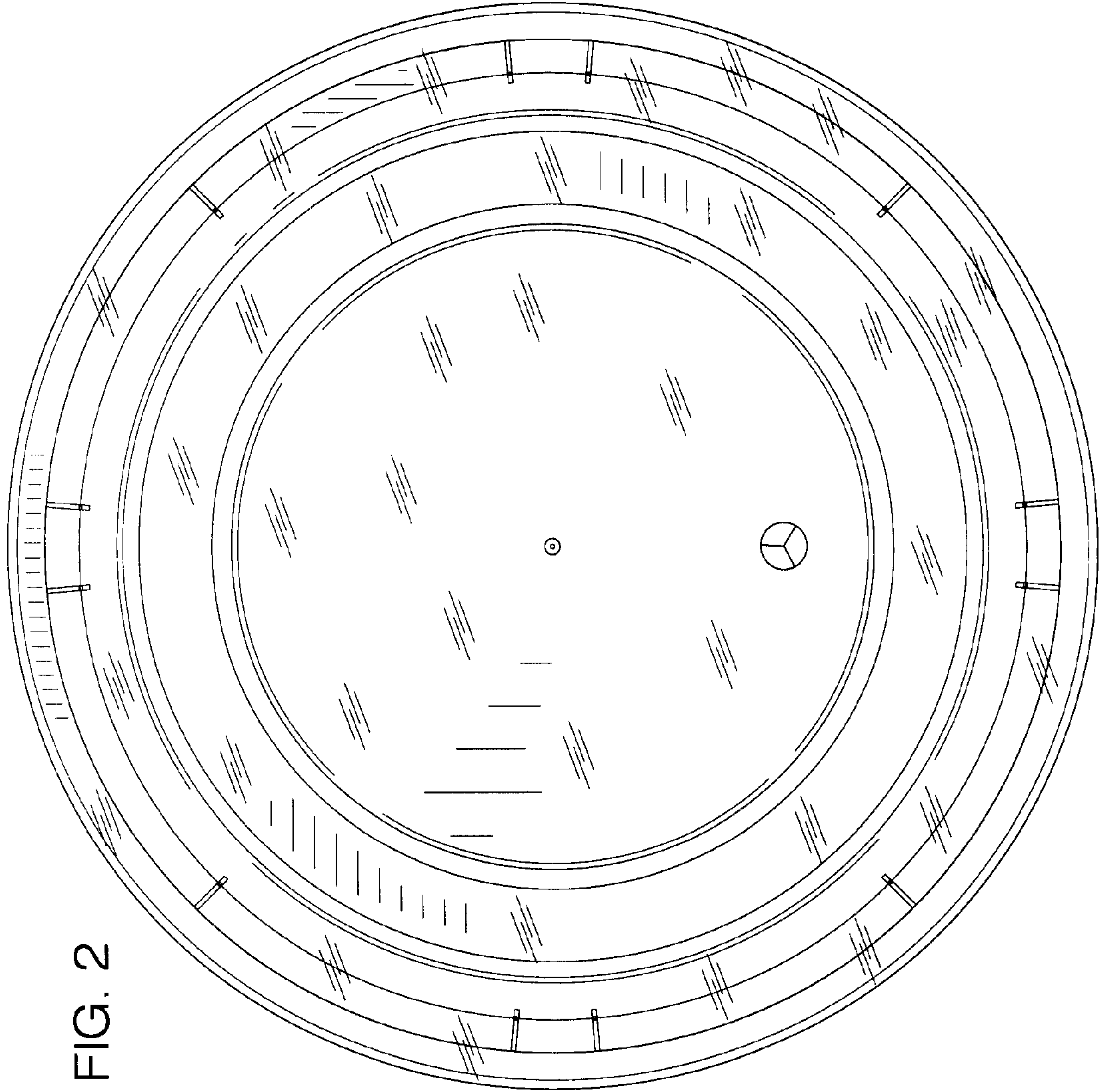


FIG. 2

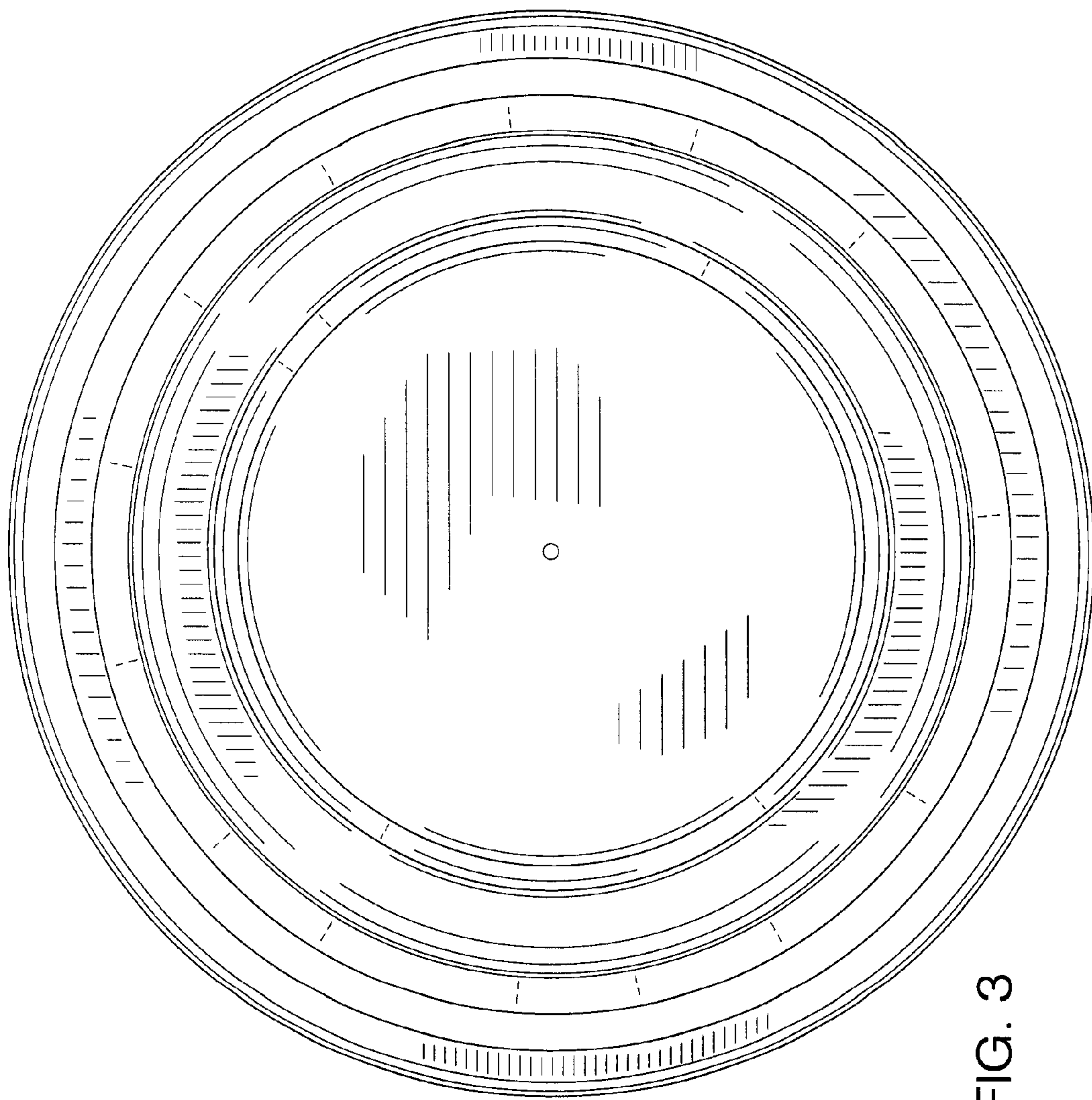


FIG. 3

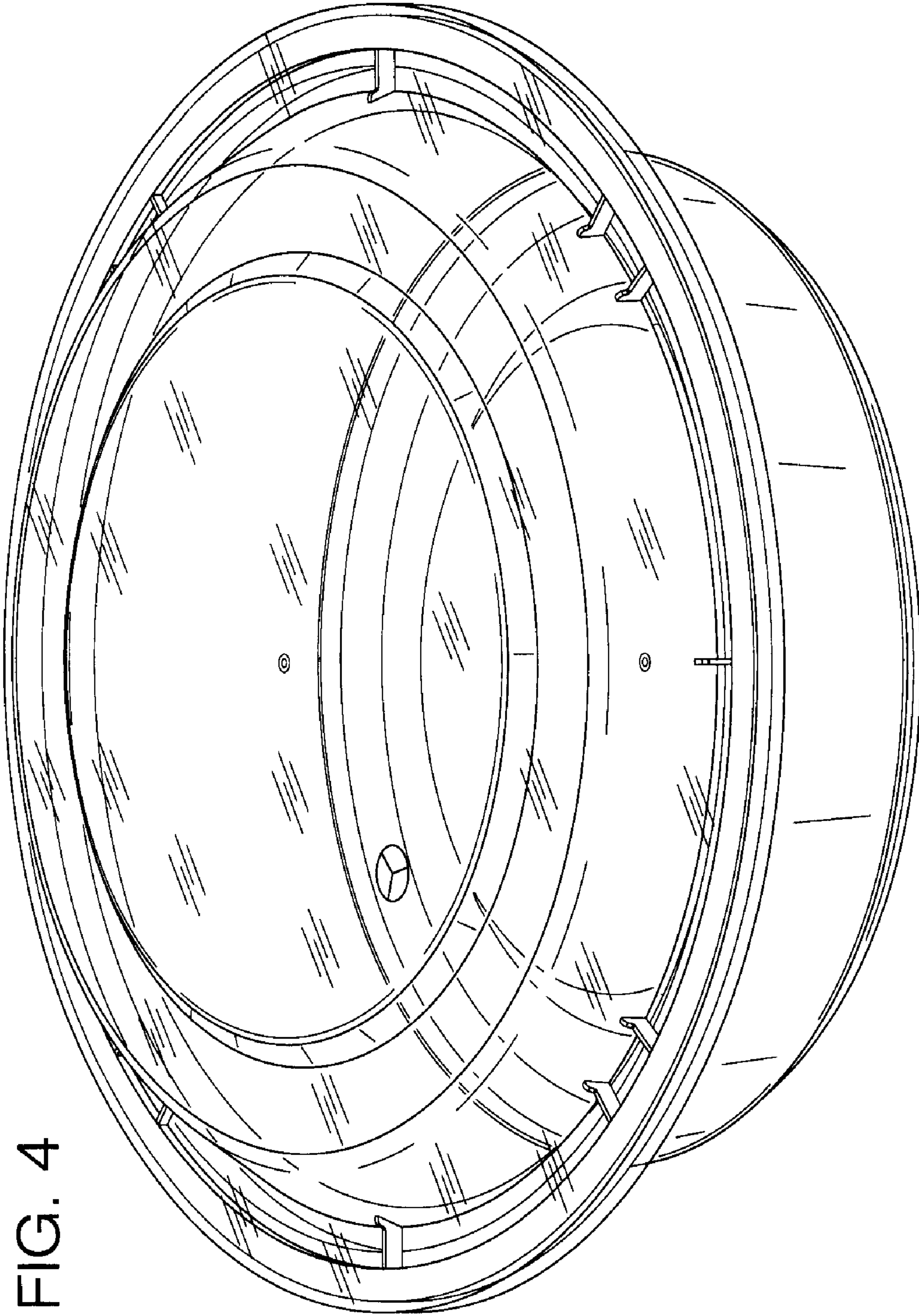


FIG. 4

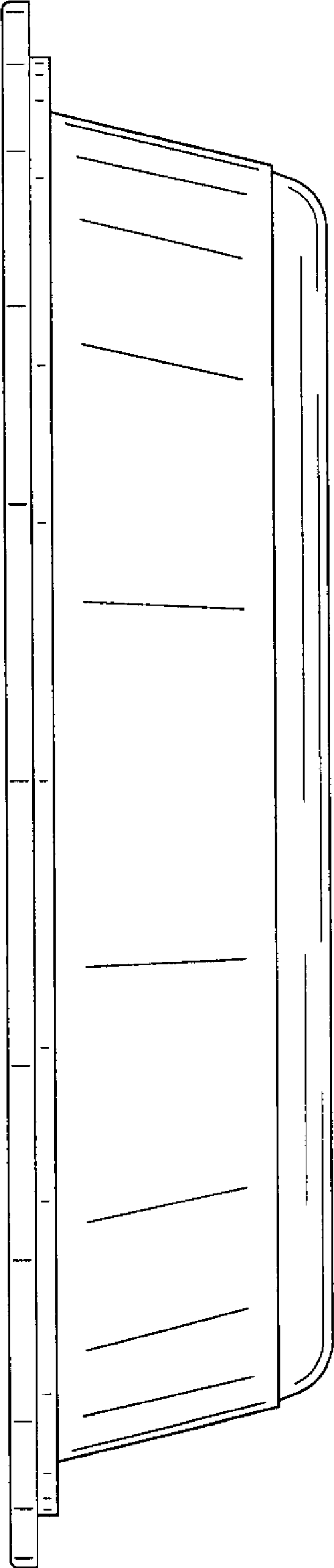


FIG. 5

FIG. 6

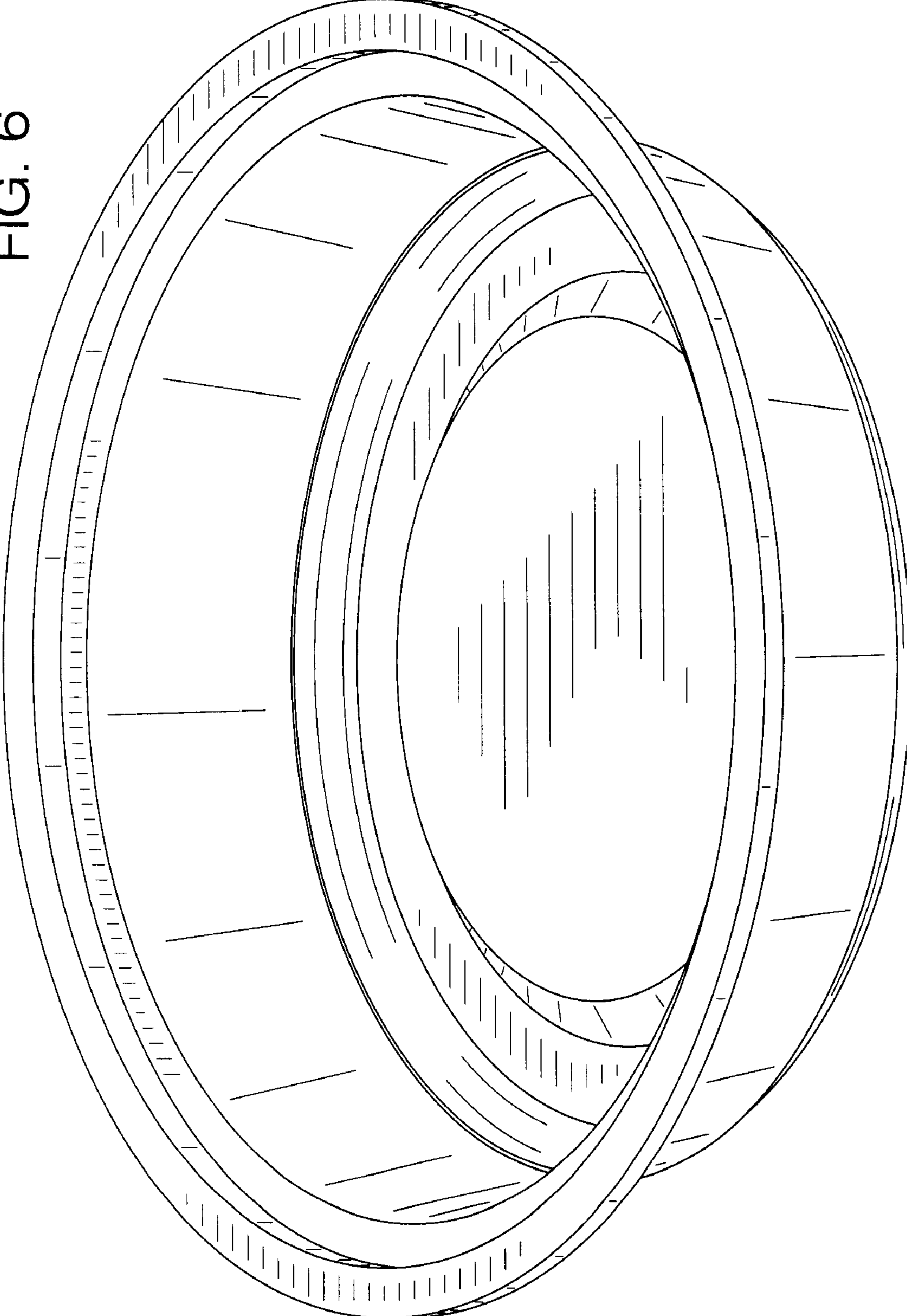
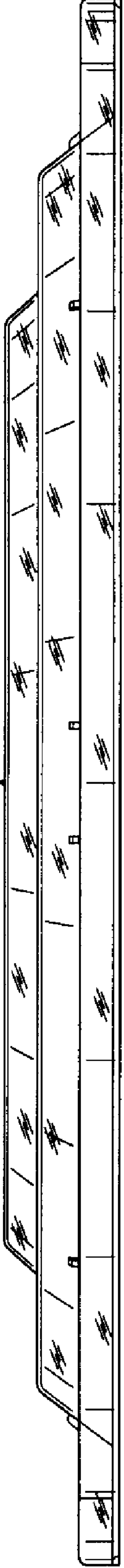


FIG. 7



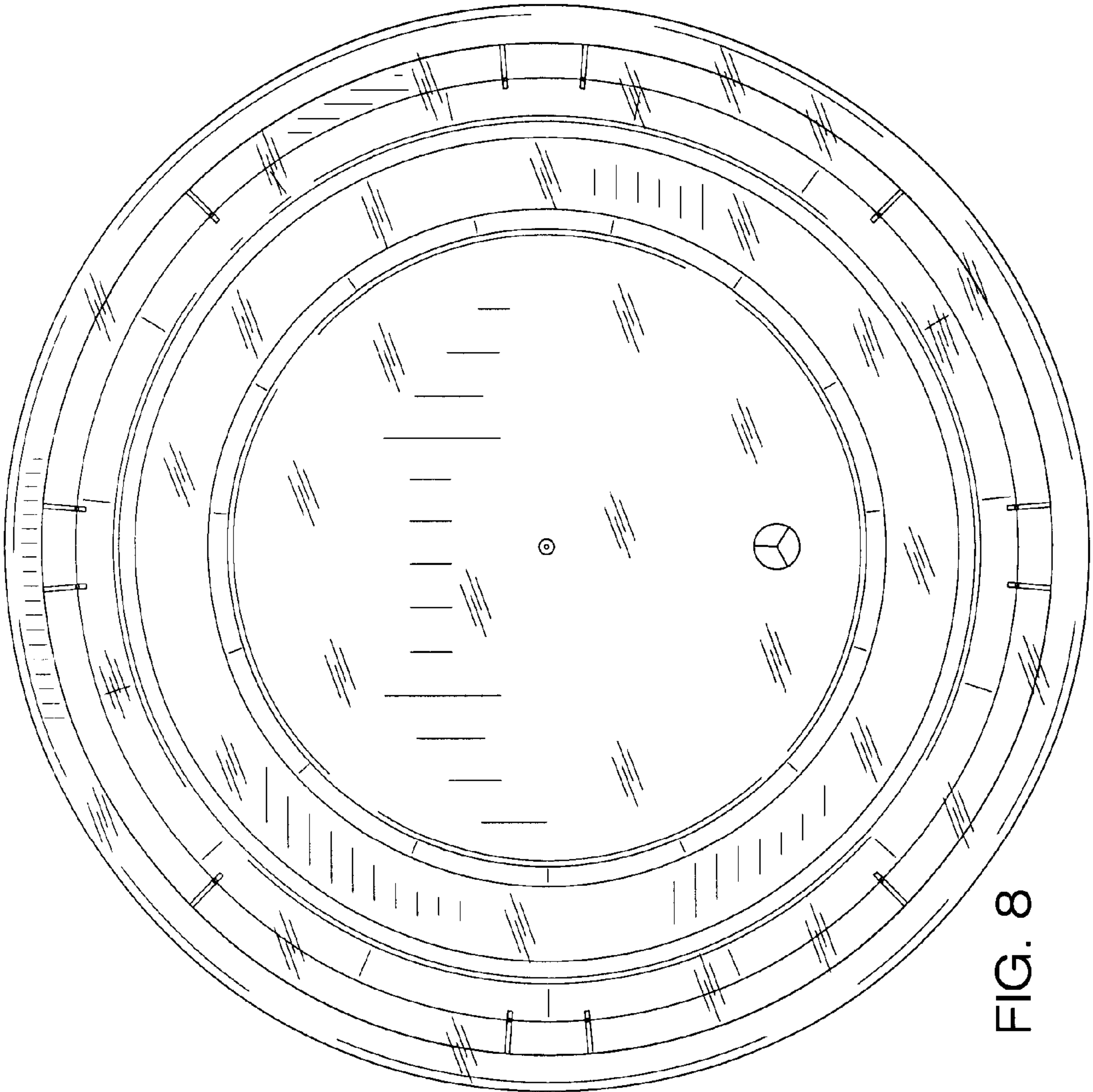


FIG. 8

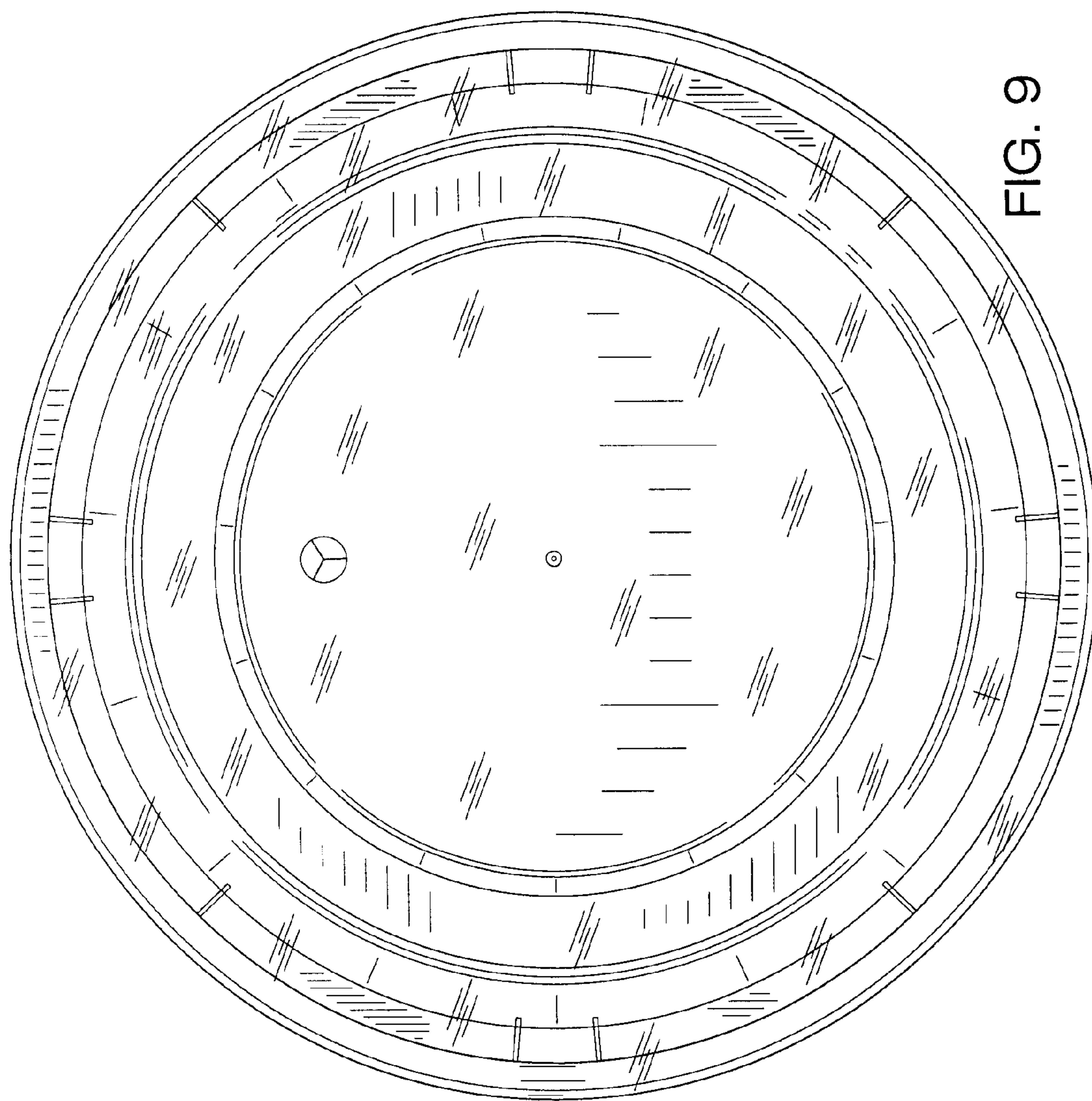


FIG. 9