



US00D594323S

(12) **United States Design Patent**  
**Friedman et al.**

(10) **Patent No.:** **US D594,323 S**  
(45) **Date of Patent:** **\*\* Jun. 16, 2009**

(54) **PACKAGING**

(75) Inventors: **Robert M. Friedman**, Easton, PA (US);  
**Lawrence A. Bone**, Dingmans Ferry, PA  
(US); **Sharon M. Weaver**, Chicago, IL  
(US)

(73) Assignee: **MARS, Incorporated**, McLean, VA  
(US)

(\*\*) Term: **14 Years**

(21) Appl. No.: **29/317,343**

(22) Filed: **Apr. 28, 2008**

(51) **LOC (9) Cl.** ..... **09-03**

(52) **U.S. Cl.** ..... **D9/423**

(58) **Field of Classification Search** ..... D9/414,  
D9/416, 420, 422, 423, 432, 433, 499, 337;  
220/890, 100, 123, 124, 125; 206/5, 5.1,  
206/37, 232, 308.1–308.3, 307, 316.1, 372,  
206/387.13, 425, 449, 450, 472–476, 493,  
206/494, 527, 734; D6/407, 626, 632; D3/218,  
D3/273; 229/87.18, 126, 19, 800

See application file for complete search history.

(56) **References Cited**

**U.S. PATENT DOCUMENTS**

2,320,018	A *	5/1943	Ullman	.....	229/120.18
3,295,741	A	1/1967	Meyers		
3,399,823	A	9/1968	Johnson		
4,186,835	A *	2/1980	Hofer	.....	206/443
4,240,577	A	12/1980	Harrigan		
5,123,589	A	6/1992	Cote		
D387,976	S	12/1997	Mori		
5,931,373	A *	8/1999	Peleman	.....	229/122.24
D434,319	S	11/2000	Mori		
D445,332	S *	7/2001	Breiding et al.	.....	D9/416
6,398,020	B1 *	6/2002	Smith	.....	206/232
6,398,021	B1 *	6/2002	Smith	.....	206/232
6,401,917	B1 *	6/2002	Smith	.....	206/232
D479,464	S	9/2003	Kopecky		
6,626,292	B1 *	9/2003	Huang	.....	206/308.3
D484,046	S	12/2003	Kopecky		
D503,087	S	3/2005	Dzwill et al.		
D508,772	S	8/2005	Gilson et al.		

7,159,717	B2	1/2007	Aldridge et al.		
7,325,686	B2	2/2008	Aldridge		
2003/0201313	A1 *	10/2003	Dudley	.....	229/68.1
2005/0252817	A1 *	11/2005	Aldridge et al.	.....	206/525.1
2005/0269233	A1	12/2005	Aldridge		

**OTHER PUBLICATIONS**

Product Image for Lindt Excellence Intense Orange Dark Chocolate, packaging found in market Jun. 8, 2008.

Product Image for Chirardelli Intense Mint Bliss Dark Chocolate, packaging found in market Jun. 8, 2008.

(Continued)

*Primary Examiner*—Daniel D Bui

*Assistant Examiner*—Thomas J Johannes

(74) *Attorney, Agent, or Firm*—Arent Fox LLP

(57) **CLAIM**

The ornamental design for a packaging, as shown and described.

**DESCRIPTION**

FIG. 1 is an open perspective view of a packaging showing our new design;

FIG. 2 is a top view of the design shown in FIG. 1;

FIG. 3 is a bottom view of the design shown in FIG. 1;

FIG. 4 is a right side view of the design shown in FIG. 1, the left side view being a mirror image thereof;

FIG. 5 is a front view of the design shown in FIG. 1;

FIG. 6 is a rear view of the design shown in FIG. 1;

FIG. 7 is an open perspective view without contents of the design shown in FIG. 1;

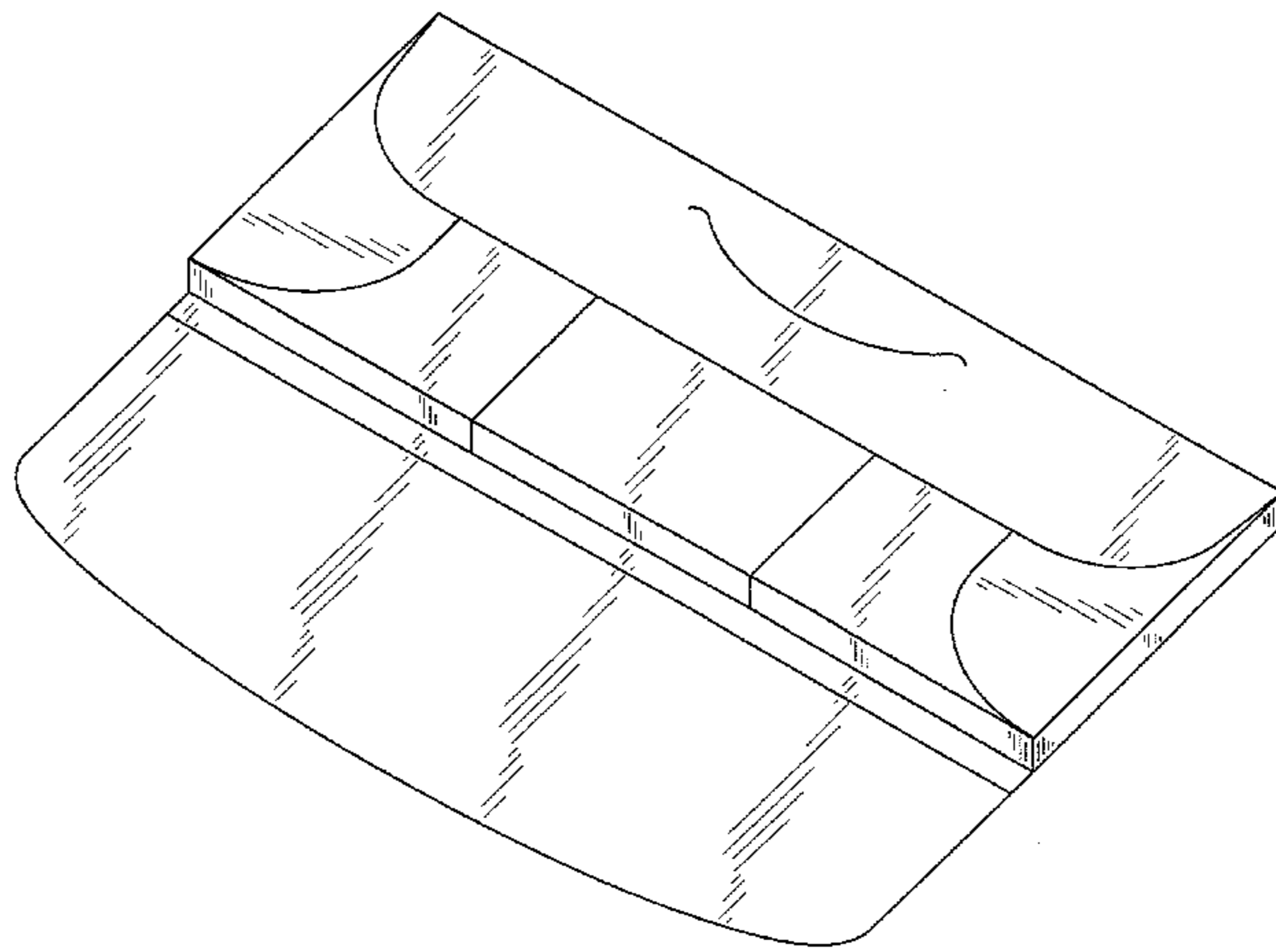
FIG. 8 is a top view of the design shown in FIG. 7, wherein the bottom view is identical to that shown in FIG. 3 and the right side view is identical to that shown in FIG. 4, the left side view being a mirror image thereof;

FIG. 9 is a front view of the design shown in FIG. 7, wherein the rear view is identical to that shown in FIG. 6;

FIG. 10 is a sealed top view of the design shown in FIG. 1; and,

FIG. 11 is a closed top view of the design shown in FIG. 1.

**1 Claim, 7 Drawing Sheets**



OTHER PUBLICATIONS

Product Image for Cacao Reserve by Hershey's Premium Dark Chocolate, packaging found in market Jun. 8, 2008.

Product Image for Wrigley's Orbit Gum, packaging found in market May 13, 2008.

\* cited by examiner

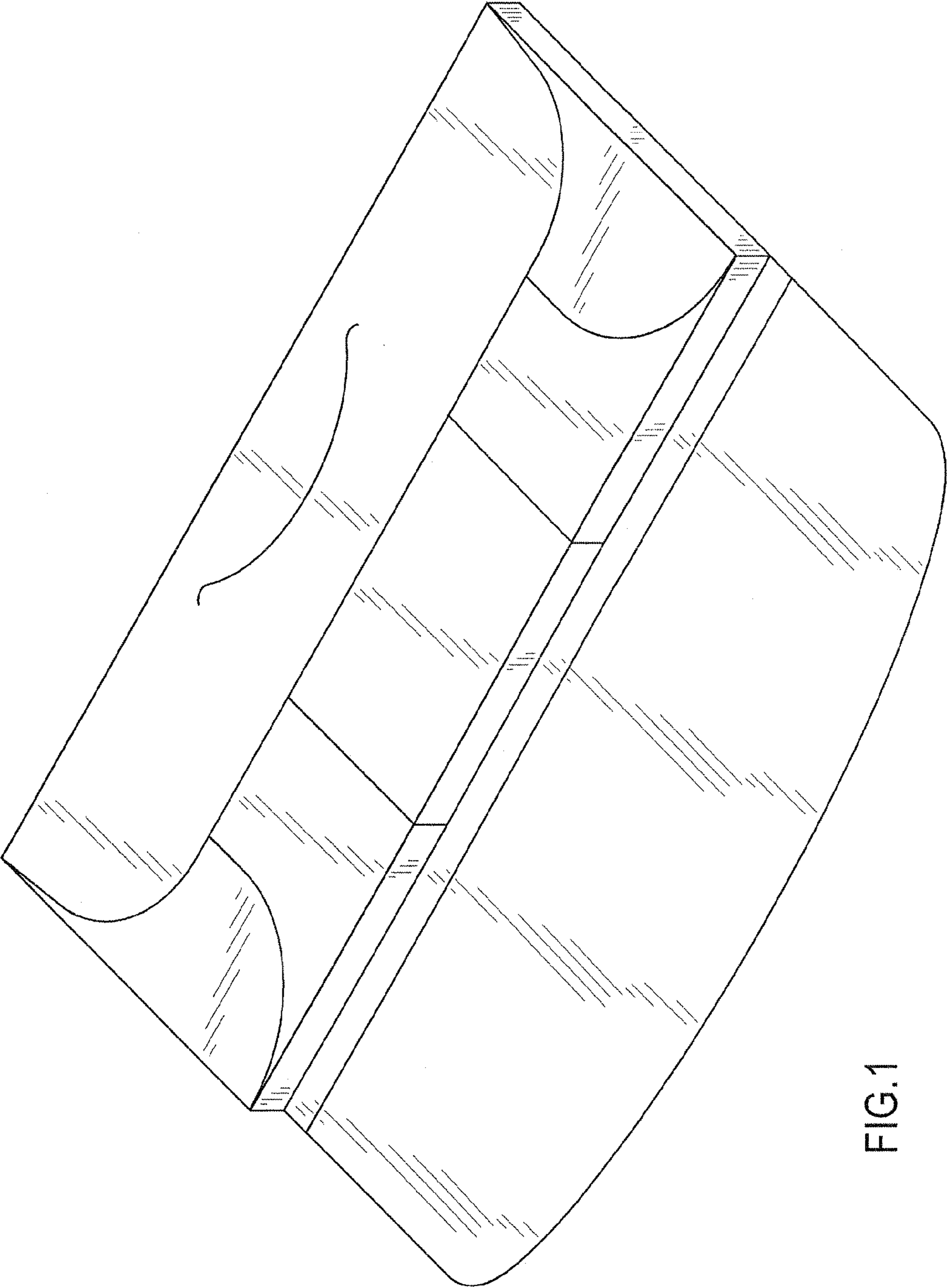


FIG.1

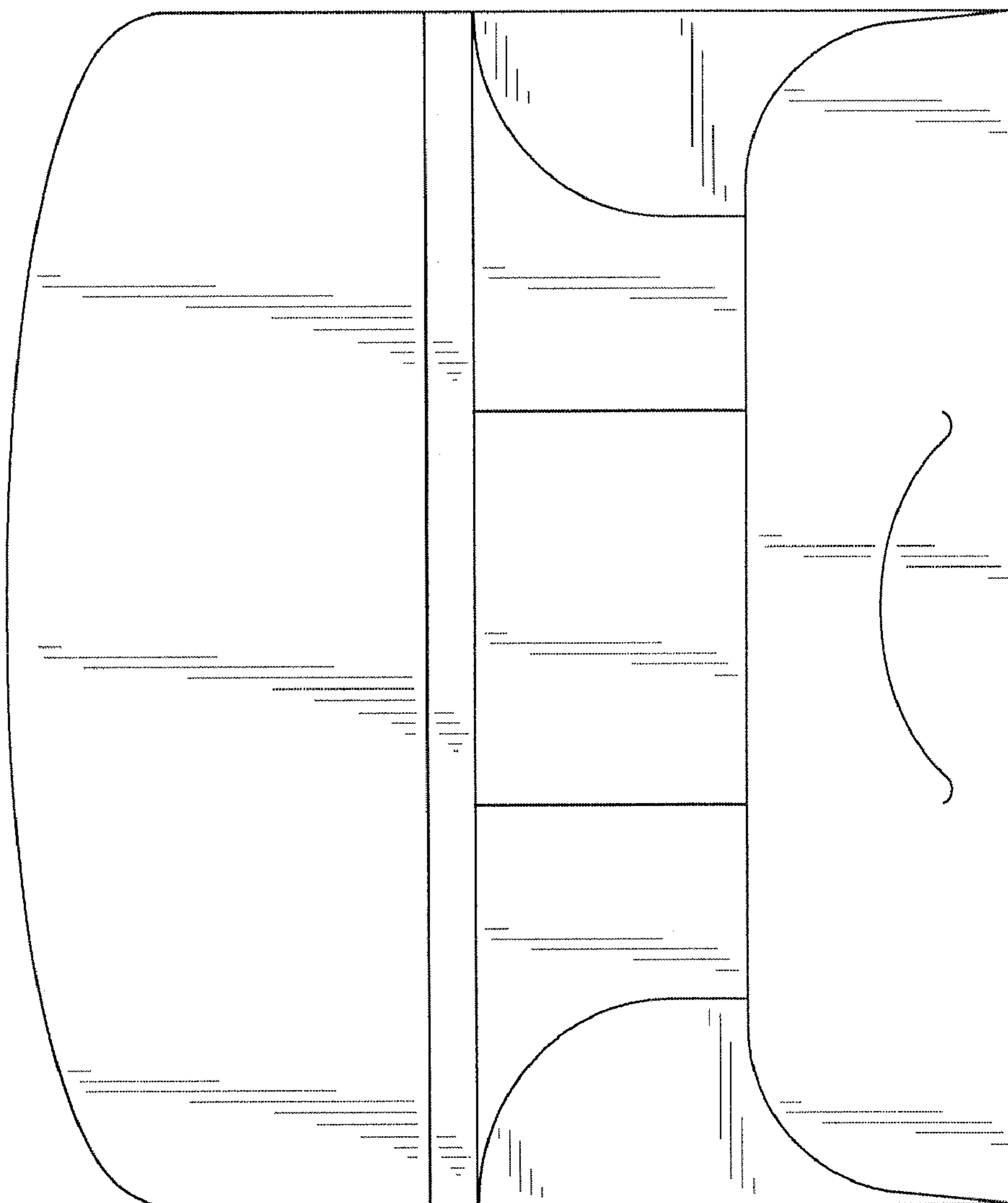


FIG. 2

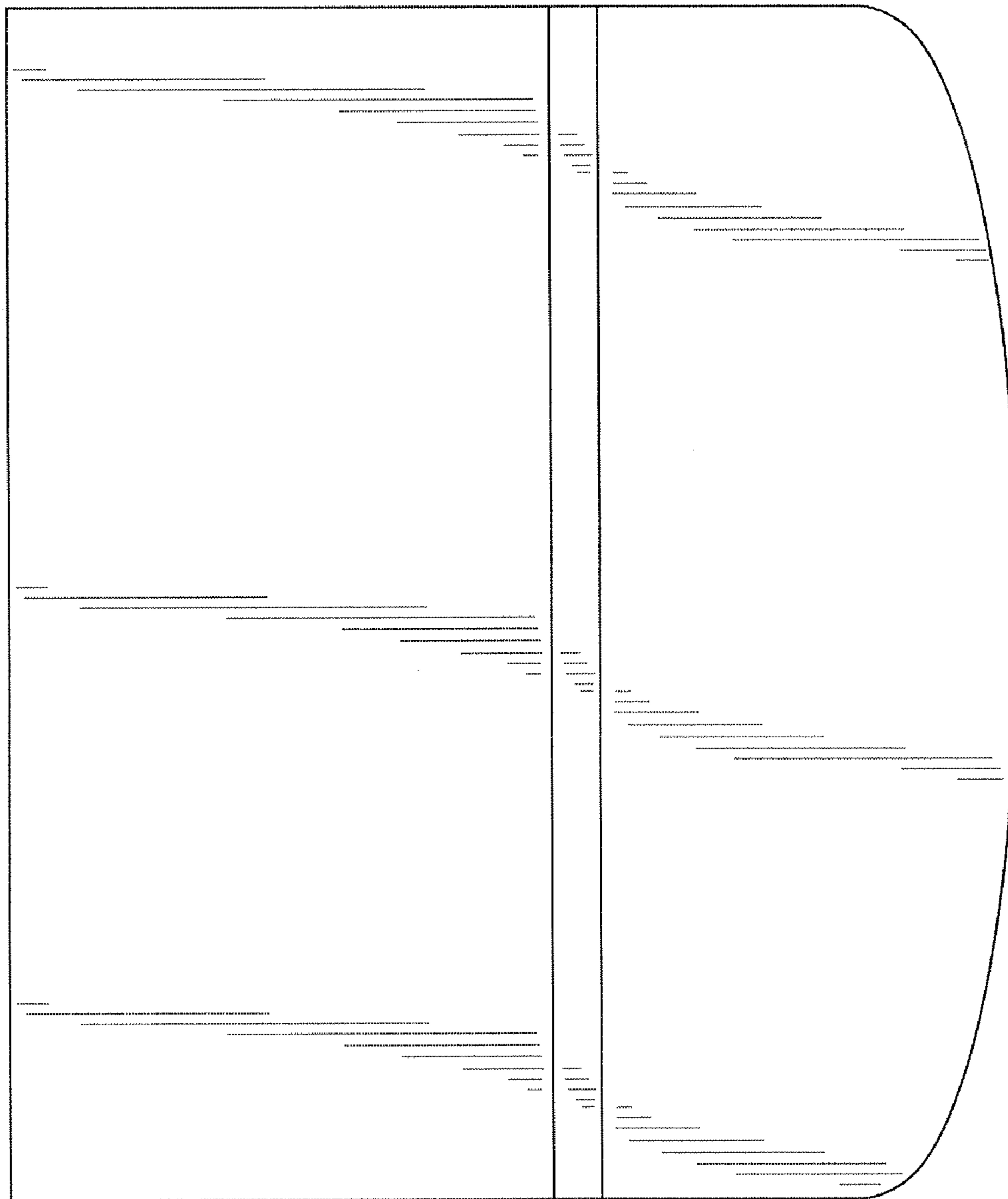
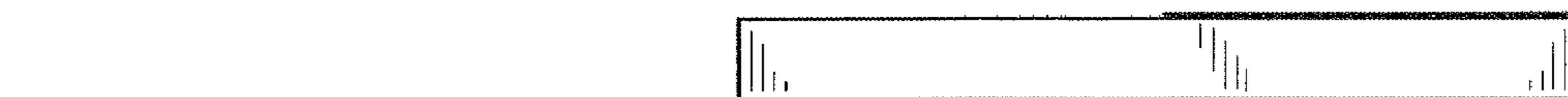


FIG.3

FIG.4



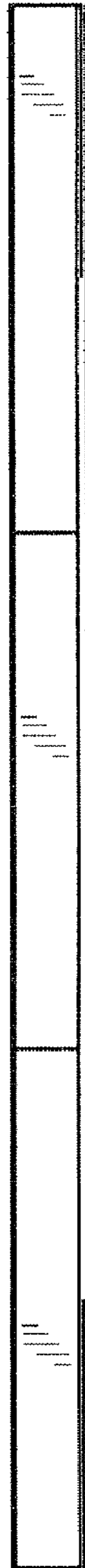


FIG.5



FIG.6

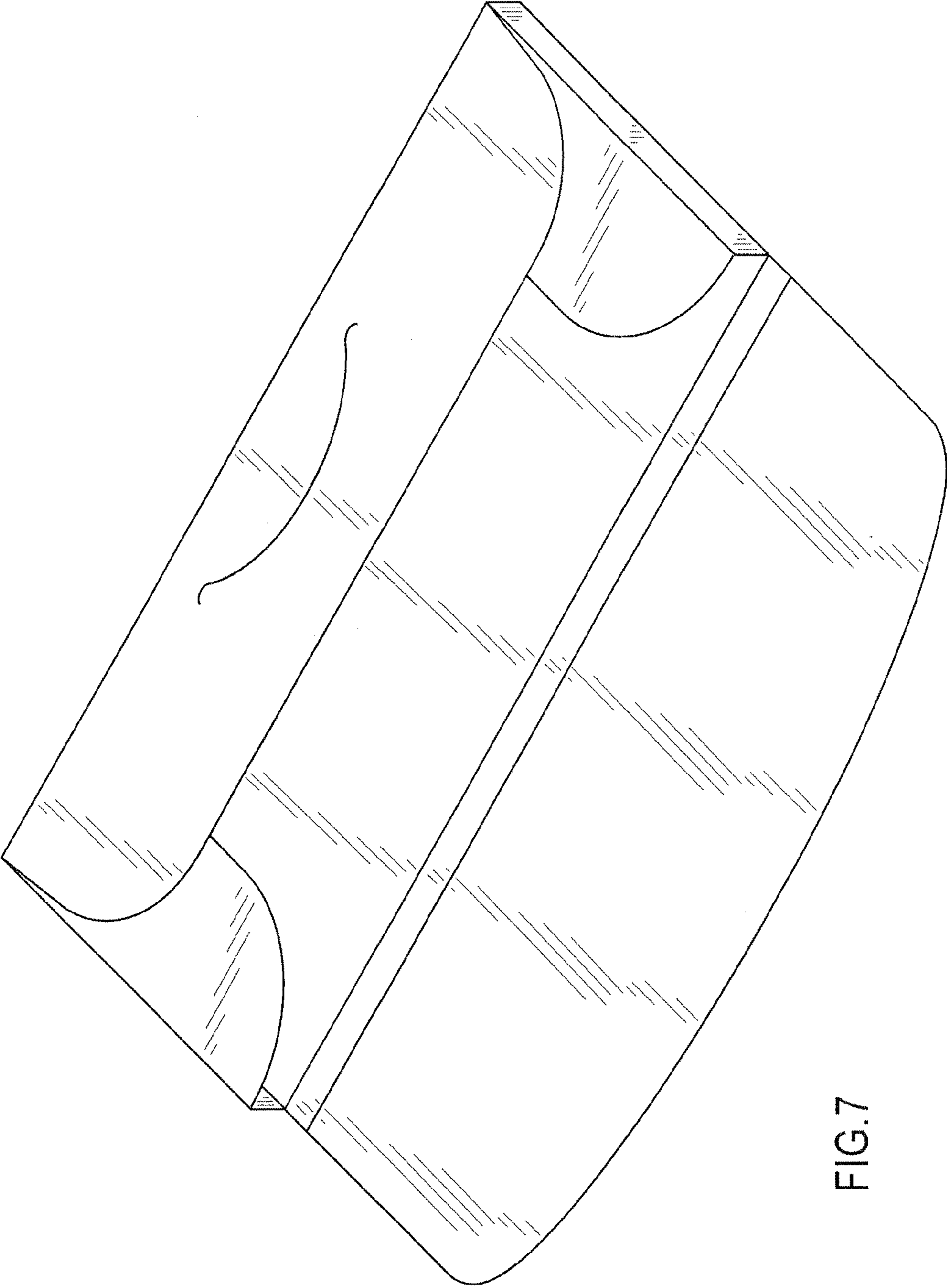


FIG.7

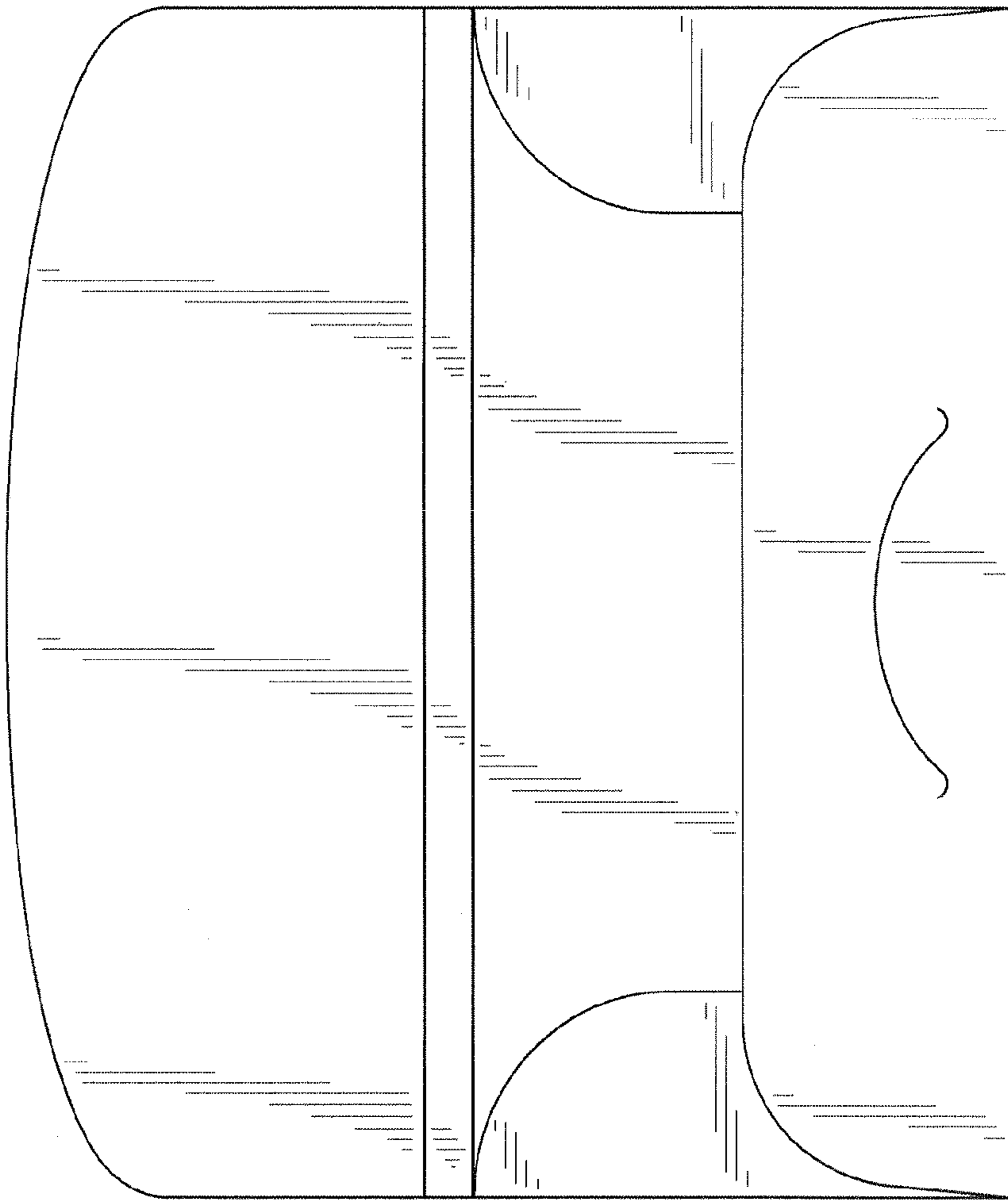


FIG. 8



FIG. 9



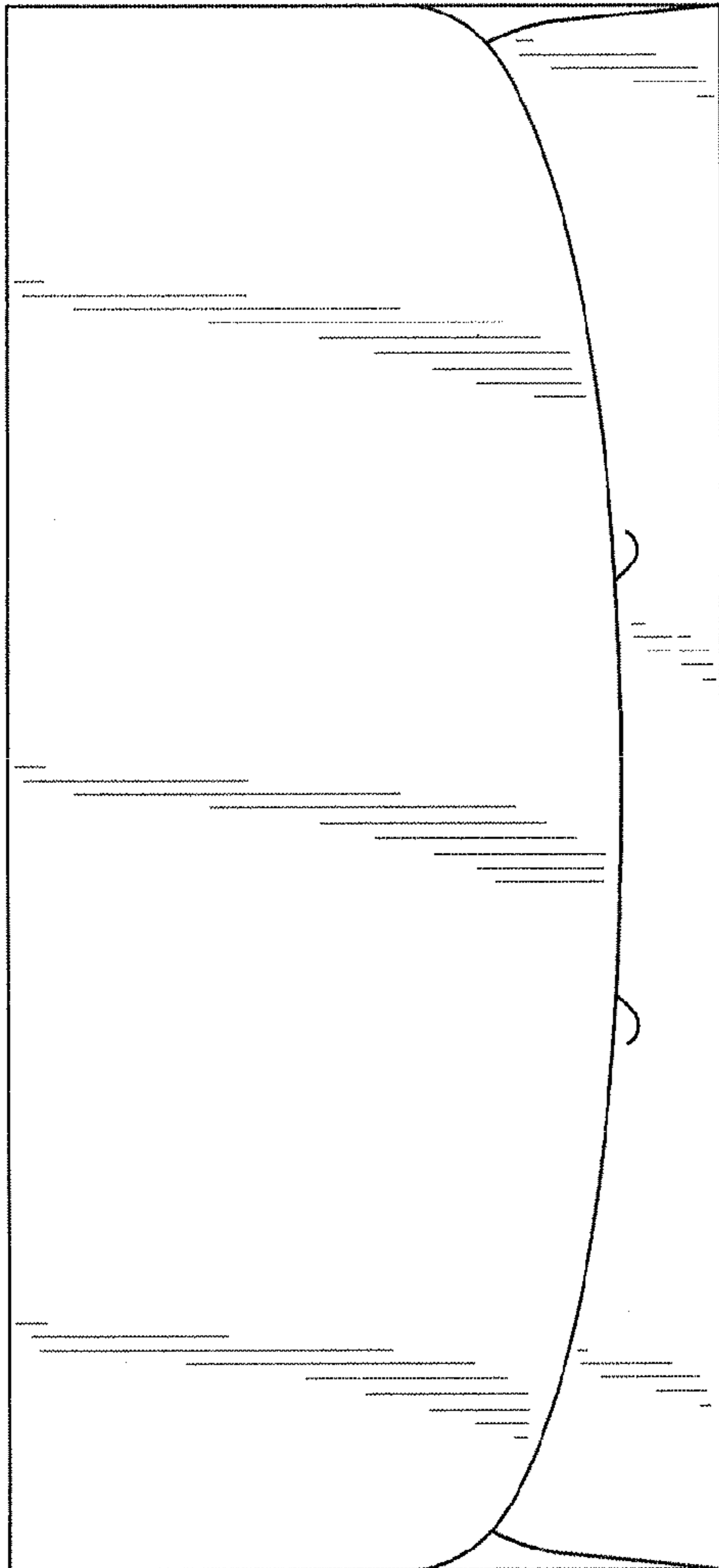


FIG. 10

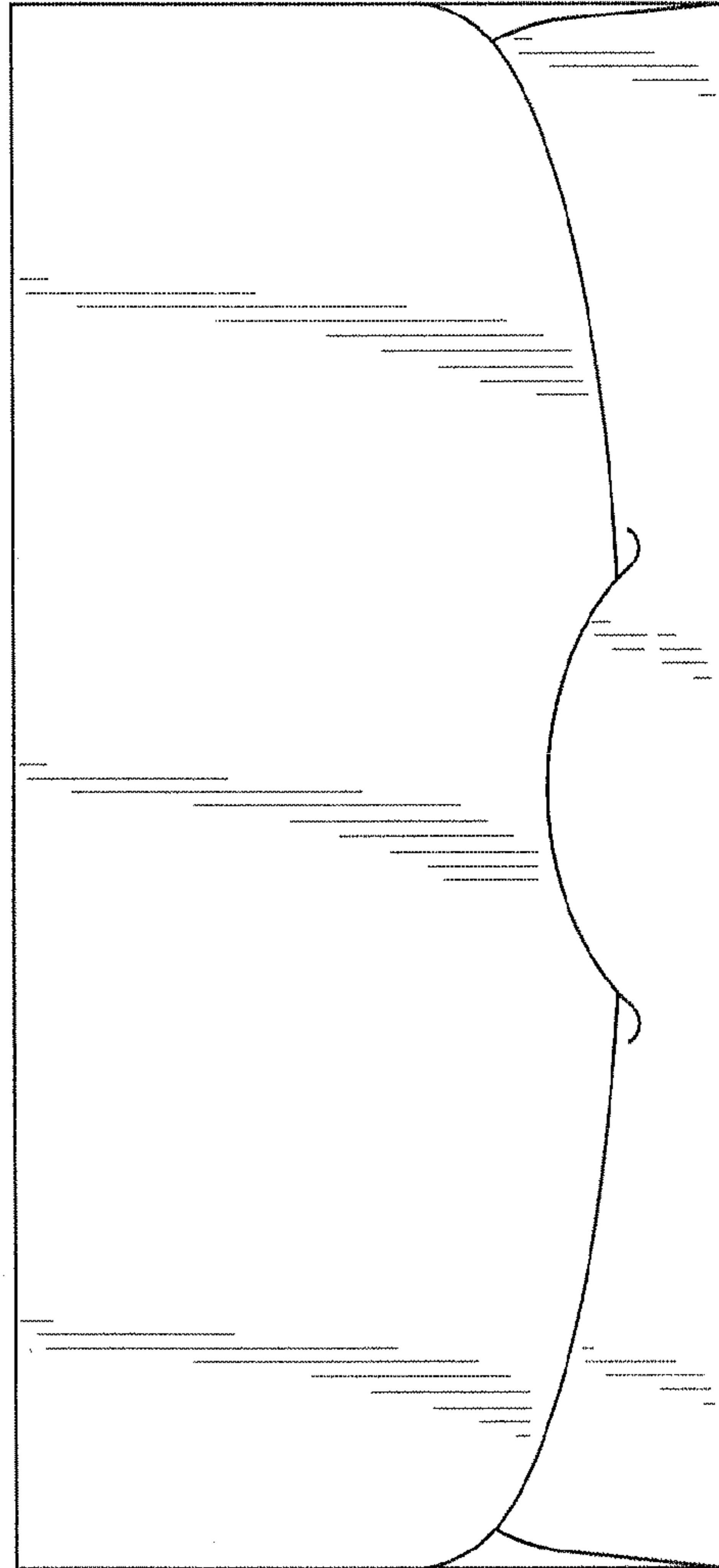


FIG. 11