



US00D594319S

(12) **United States Design Patent**
Thörner

(10) **Patent No.:** **US D594,319 S**
(45) **Date of Patent:** **** Jun. 16, 2009**

(54) **ELECTRIC CABLE CLAMP**

(76) Inventor: **Wolfgang B. Thörner**, Im Teelbruch
103, 45219 Essen (DE)

(**) Term: **14 Years**

(21) Appl. No.: **29/256,094**

(22) Filed: **Mar. 15, 2006**

(30) **Foreign Application Priority Data**

Sep. 16, 2005 (DE) 4 05 04 833

(51) **LOC (9) Cl.** **08-08**

(52) **U.S. Cl.** **D8/396**

(58) **Field of Classification Search** D8/354,
D8/356, 371, 394-396; D19/65; D24/128;
248/74.2, 215, 227.1, 49, 300, 301, 316.7,
248/51, 489; 24/570; D32/61; D13/124,
D13/133, 153, 156, 184

See application file for complete search history.

(56) **References Cited**

U.S. PATENT DOCUMENTS

2,552,686	A	5/1951	Melcher	
2,713,670	A	7/1955	Koch	
3,054,083	A	9/1962	Aymar	
3,936,132	A	2/1976	Hutter	
4,854,893	A	8/1989	Morris	
5,308,266	A	5/1994	Booker	
5,354,217	A	10/1994	Gabel et al.	
5,413,502	A *	5/1995	Wang	439/551
5,435,745	A	7/1995	Booth	
D392,618	S *	3/1998	Fukao et al.	D13/146
5,769,661	A	6/1998	Nealis	
6,203,370	B1	3/2001	Lee	

D476,957	S *	7/2003	Chudoba et al.	D13/151
6,590,777	B2	7/2003	Morino et al.	
6,812,406	B2 *	11/2004	Hand	174/667
7,001,220	B2 *	2/2006	Thorner et al.	439/675
7,115,822	B1 *	10/2006	Day et al.	174/662
D537,709	S *	3/2007	Thorner	D8/396
D555,097	S *	11/2007	Su et al.	D13/133
D558,144	S *	12/2007	Chien et al.	D13/133
7,354,306	B2 *	4/2008	Thorner	439/578
D578,482	S *	10/2008	Amidon	D13/151

FOREIGN PATENT DOCUMENTS

EP 0 054 123 6/1982

* cited by examiner

Primary Examiner—T. Chase Nelson

Assistant Examiner—John Windmuller

(74) *Attorney, Agent, or Firm*—Collard & Roe, P.C.

(57) **CLAIM**

The ornamental design for an electric cable clamp, as shown and described.

DESCRIPTION

FIG. 1 shows a bottom perspective view of my design for an electric cable clamp;

FIG. 2 shows a right-side view thereof;

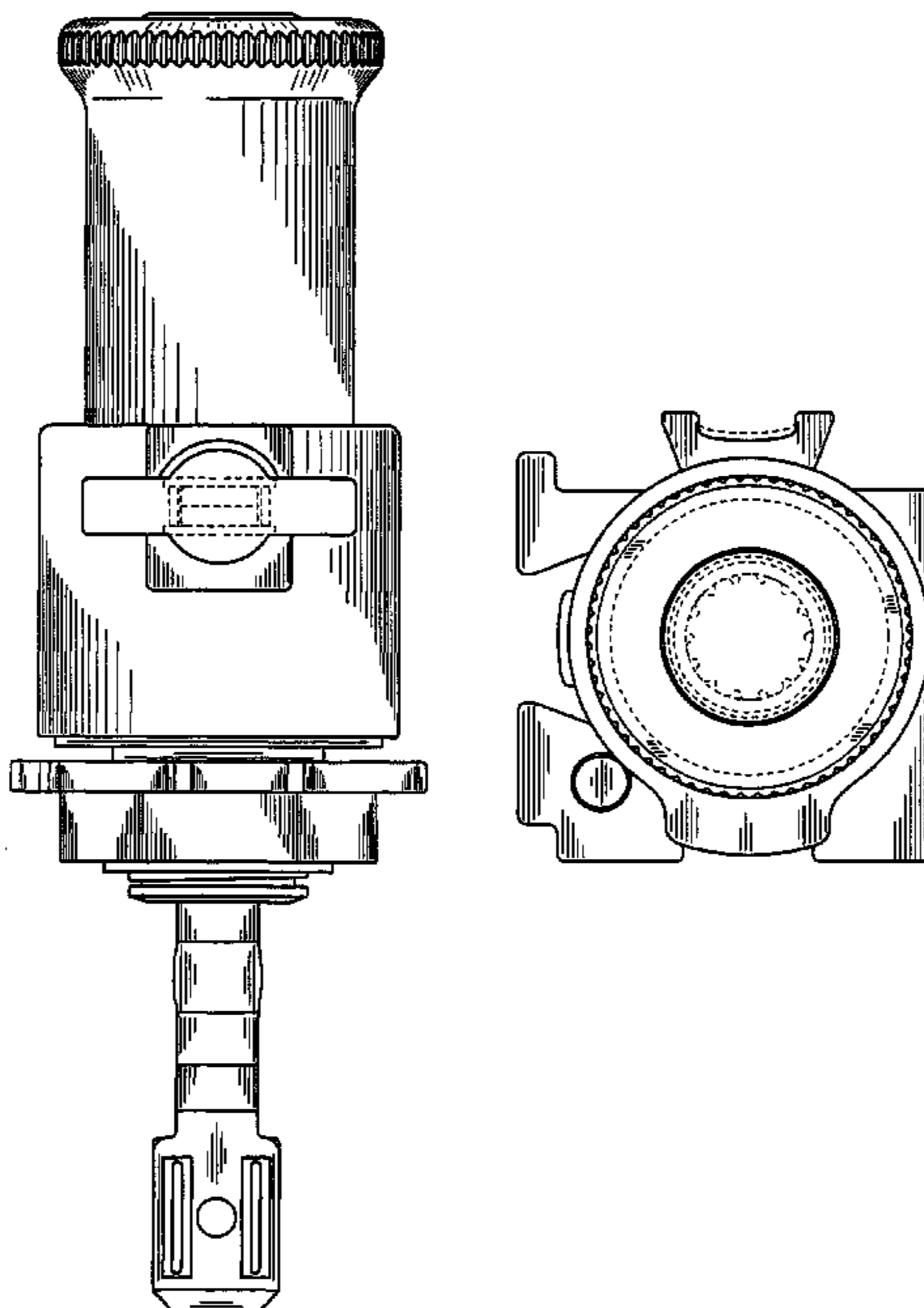
FIG. 3 shows a left-side view thereof;

FIG. 4 shows a bottom view thereof; and,

FIG. 5 shows a top view thereof.

The portions of the electric cable clamp shown in broken line form no part of the claimed design.

1 Claim, 3 Drawing Sheets



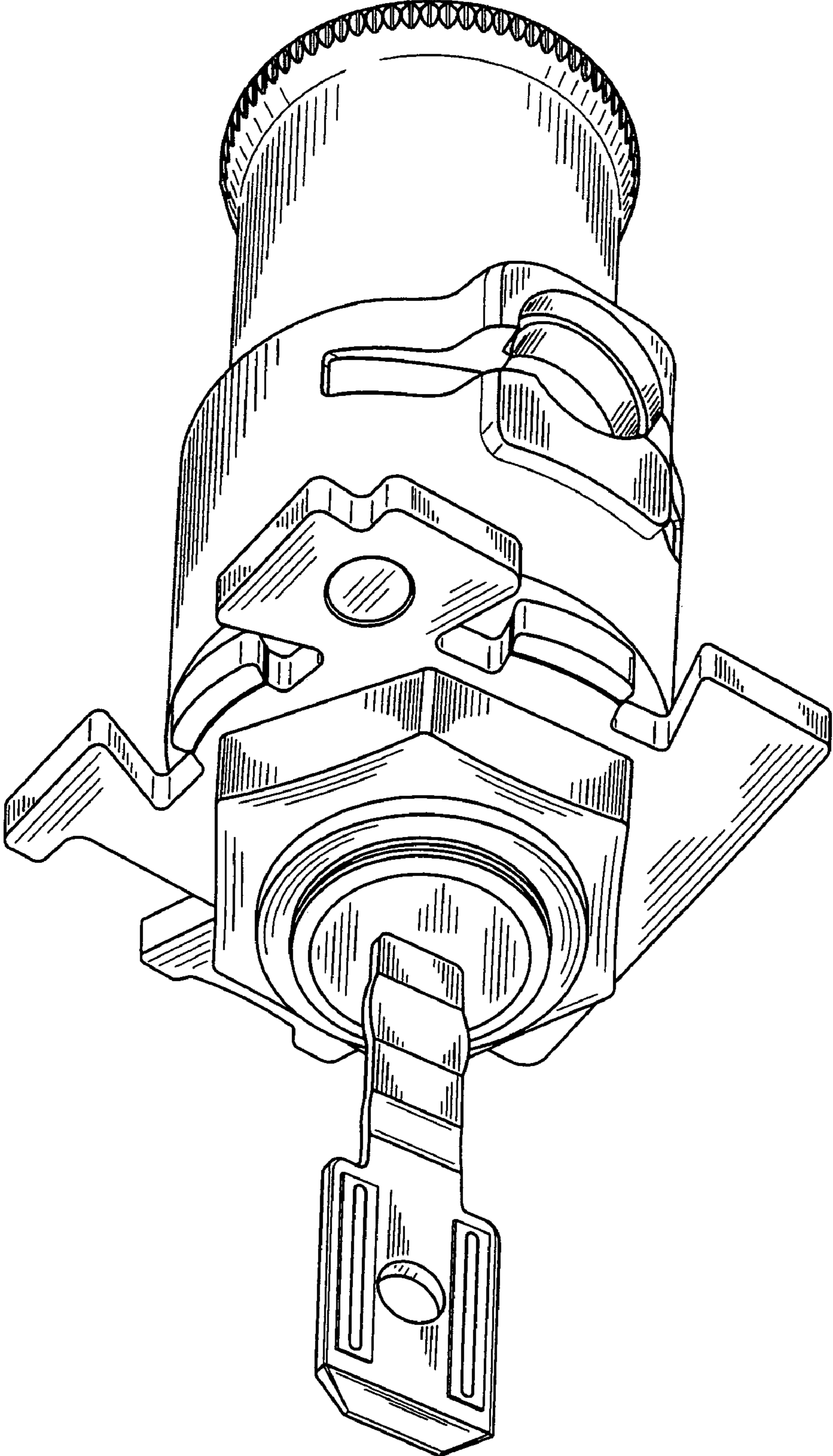


FIG. 1

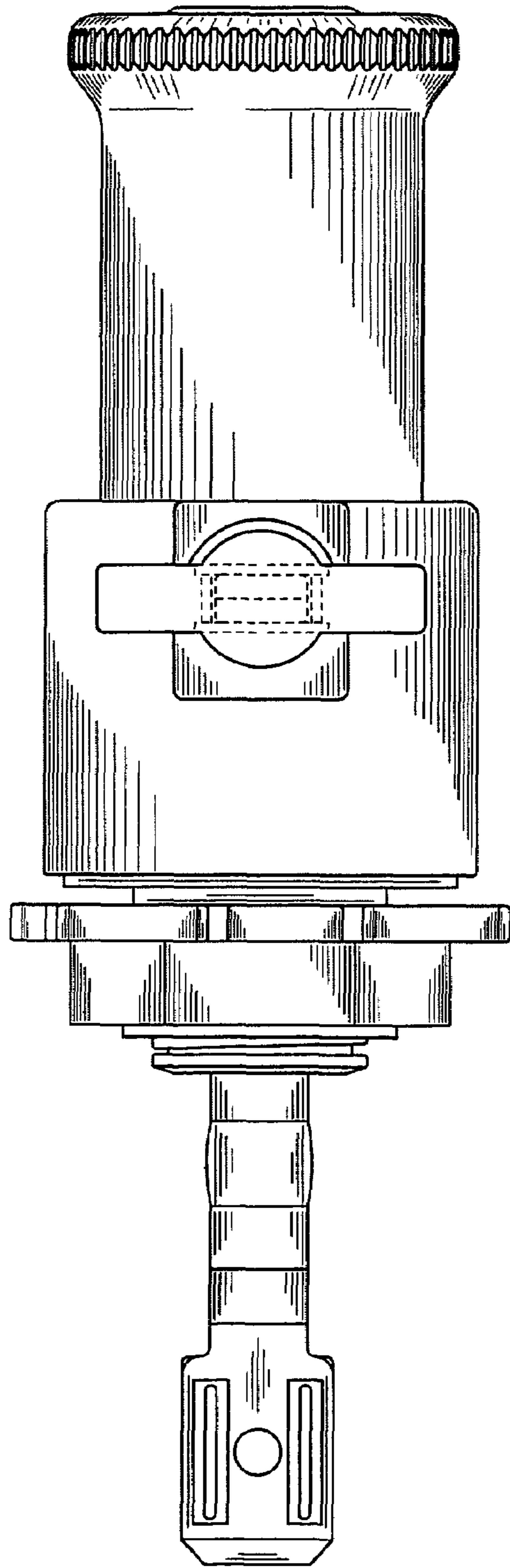


FIG. 2

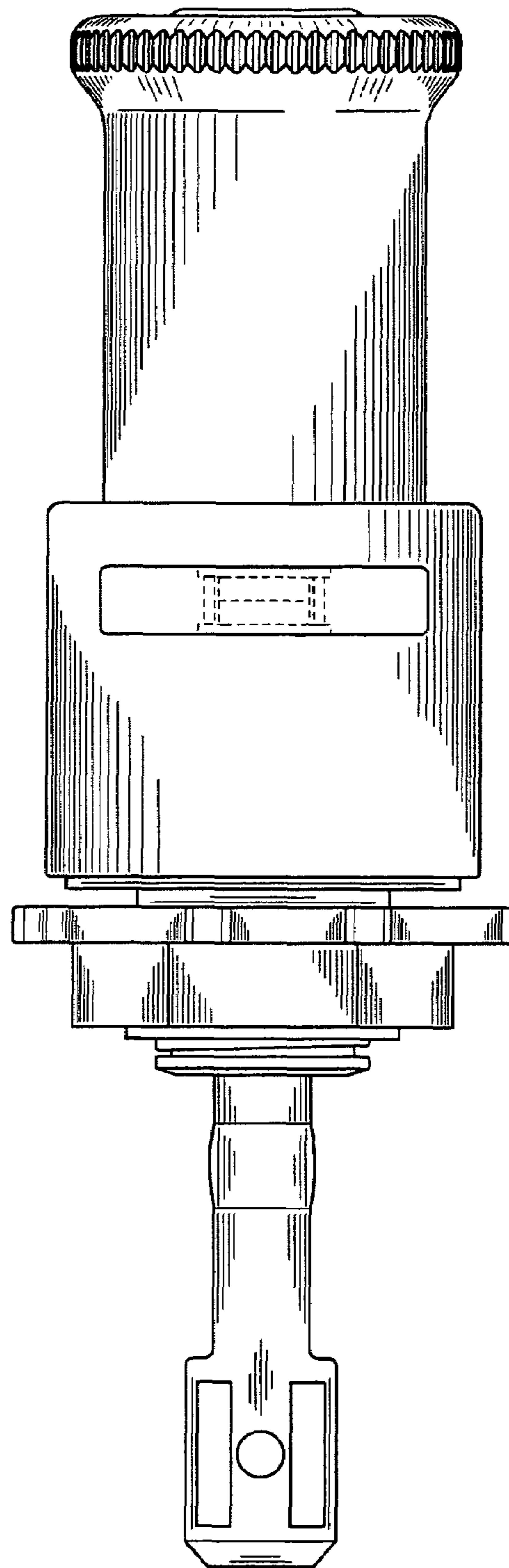


FIG. 3

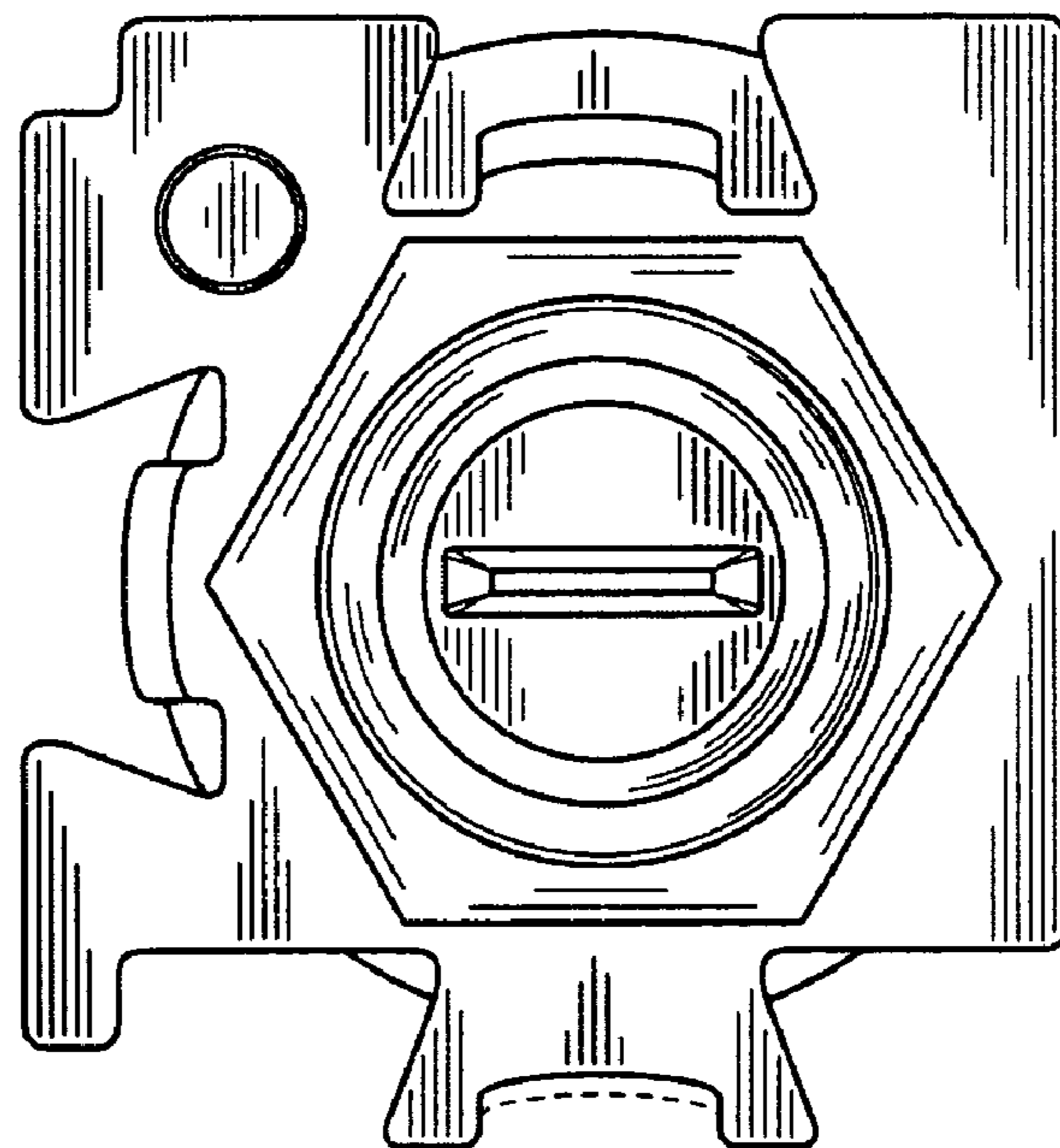


FIG. 4

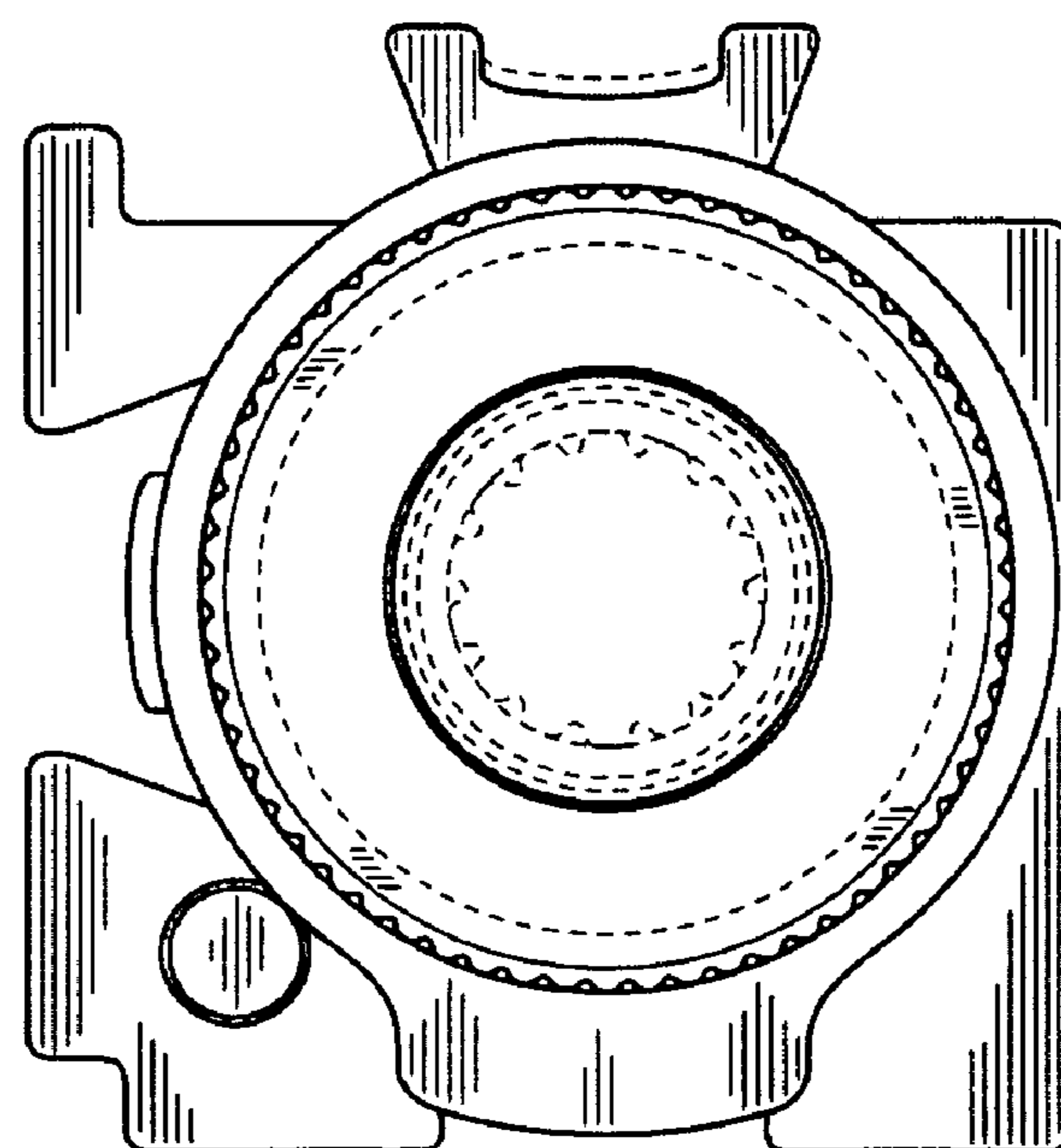


FIG. 5