



US00D594316S

(12) **United States Design Patent**
Rhein et al.

(10) **Patent No.:** **US D594,316 S**

(45) **Date of Patent:** **** Jun. 16, 2009**

(54) **CASTER**

D570,200 S * 6/2008 Jen D8/375
D573,452 S * 7/2008 Graffunder et al. D8/375

(75) Inventors: **Detlef Rhein**, Hamburg (DE); **Till Garthoff**, Hamburg (DE)

* cited by examiner

(73) Assignee: **TENTE GmbH & Co. KG**,
Wermelskirchen (DE)

Primary Examiner—Susan Bennett Hattan
(74) *Attorney, Agent, or Firm*—Collard & Roe, P.C.

(**) Term: **14 Years**

(57) **CLAIM**

(21) Appl. No.: **29/294,138**

The ornamental design for a caster, as shown and described.

(22) Filed: **Dec. 21, 2007**

DESCRIPTION

(30) **Foreign Application Priority Data**

Jun. 29, 2007 (DE) 407 03 380

(51) **LOC (9) Cl.** **05-08**

(52) **U.S. Cl.** **D8/375**

(58) **Field of Classification Search** D8/375;
D34/27; D3/318; D12/501, 209, 208; 16/47,
16/46, 45, 35 R, 35 D, 31 R, 29, 22, 18 R,
16/18 CG

See application file for complete search history.

FIG. 1 shows a side view of our design for a caster;
FIG. 2 shows a front view thereof;
FIG. 3 shows an opposite side view thereof;
FIG. 4 shows a rear view thereof;
FIG. 5 shows a top view thereof;
FIG. 6 shows a bottom view thereof;
FIG. 7 shows a perspective view thereof;
FIG. 8 shows a side view of another embodiment of our design for a caster;
FIG. 9 shows a front view thereof;
FIG. 10 shows an opposite side view thereof;
FIG. 11 shows a rear view thereof;
FIG. 12 shows a top view thereof;
FIG. 13 shows a bottom view thereof; and,
FIG. 14 shows a perspective view thereof.

(56) **References Cited**

U.S. PATENT DOCUMENTS

D343,787 S * 2/1994 Finkeldey et al. D8/375
D349,043 S * 7/1994 Carlson et al. D8/375
D380,373 S * 7/1997 Screen D8/375
D409,900 S * 5/1999 Simons et al. D8/375
D557,122 S * 12/2007 Screen D8/375
D557,596 S * 12/2007 Screen D8/375

1 Claim, 12 Drawing Sheets

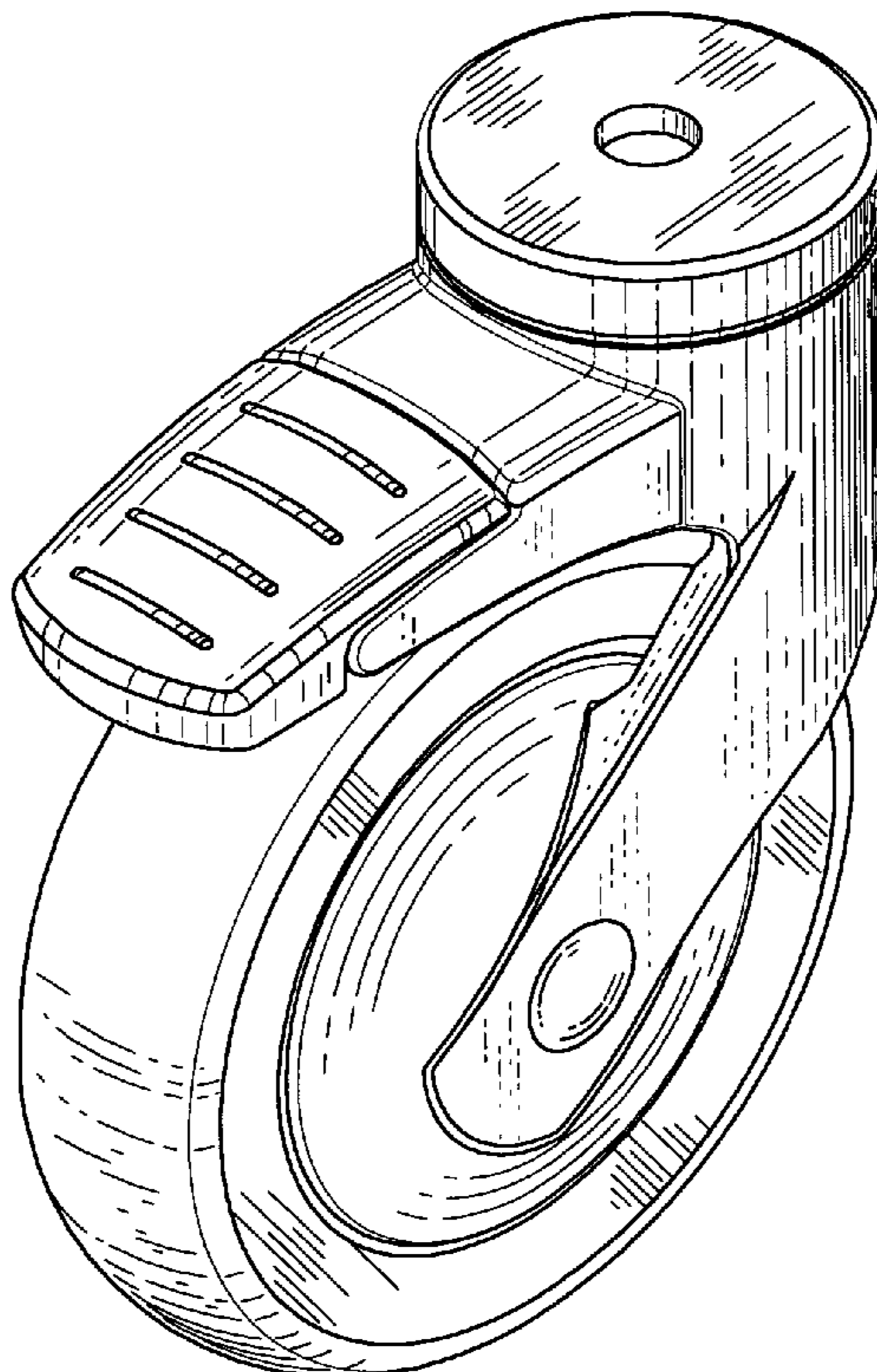


Fig. 1

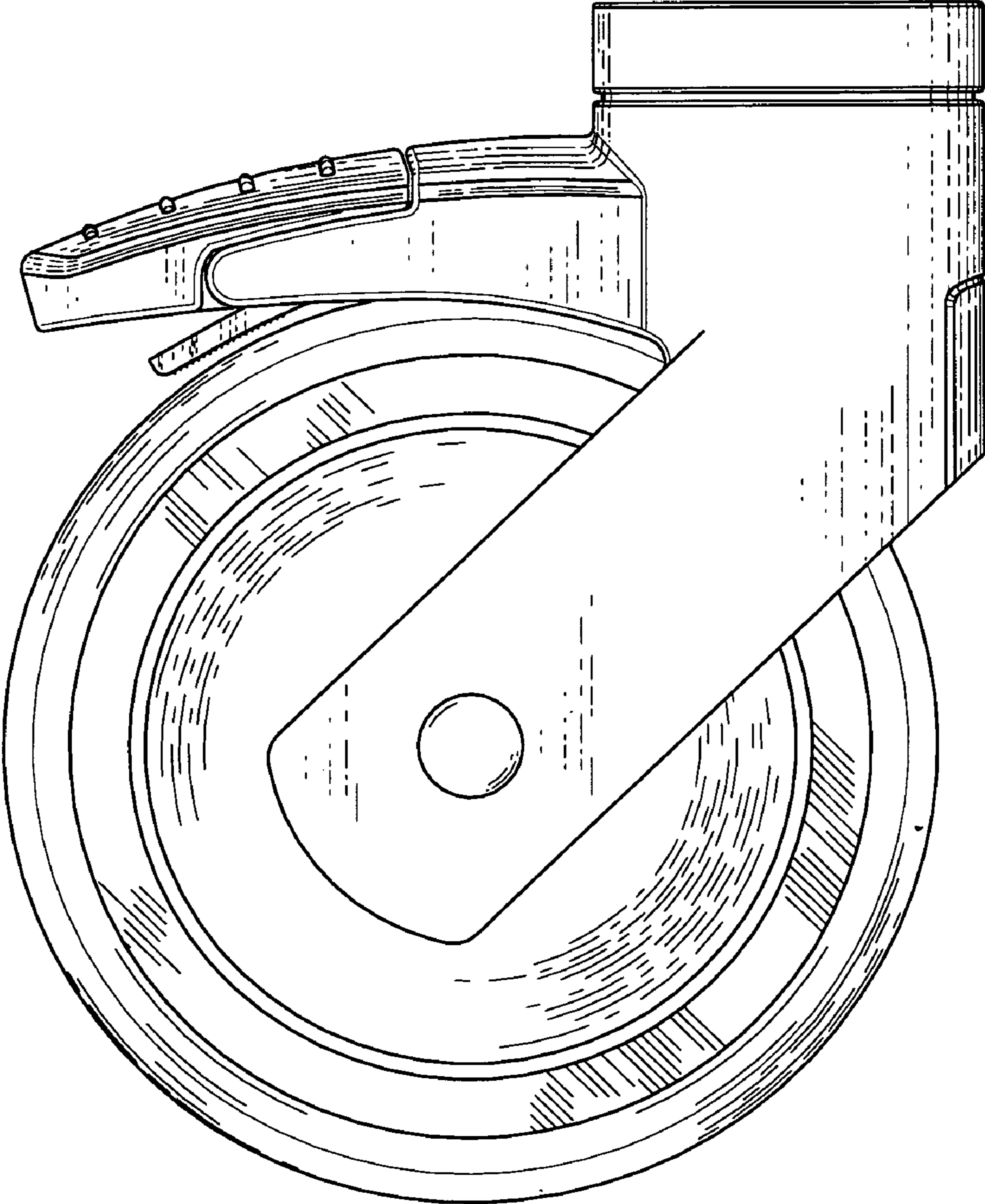


Fig. 2

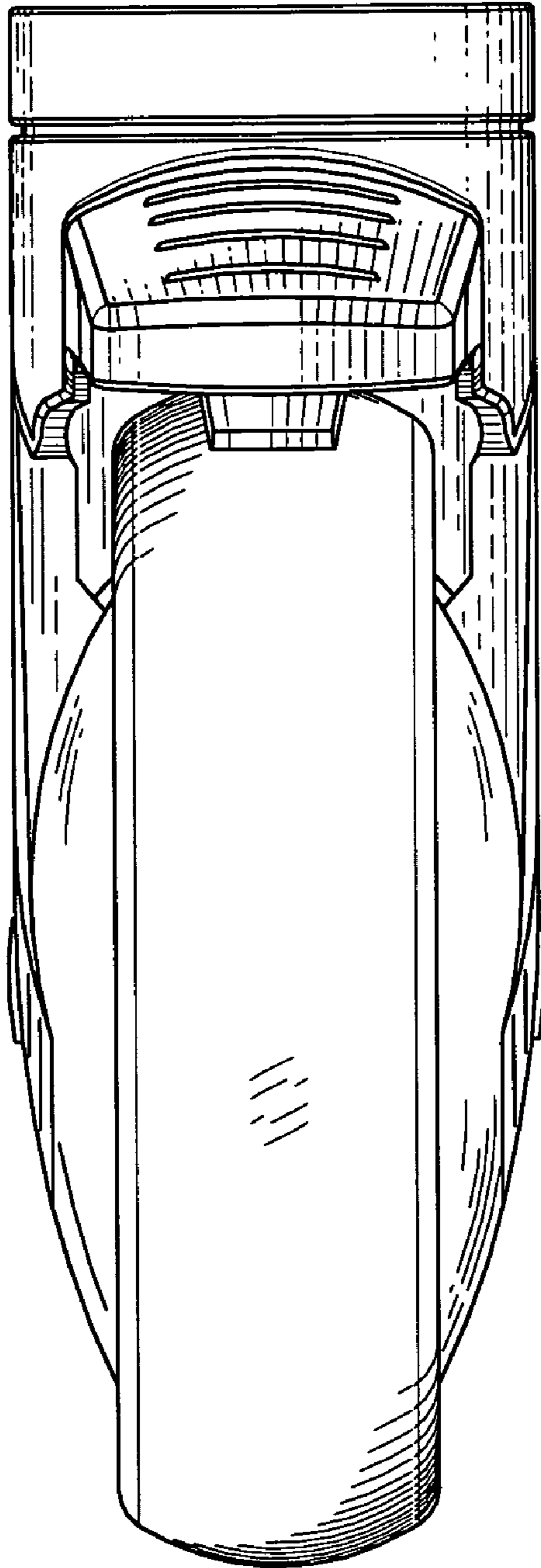


Fig. 3

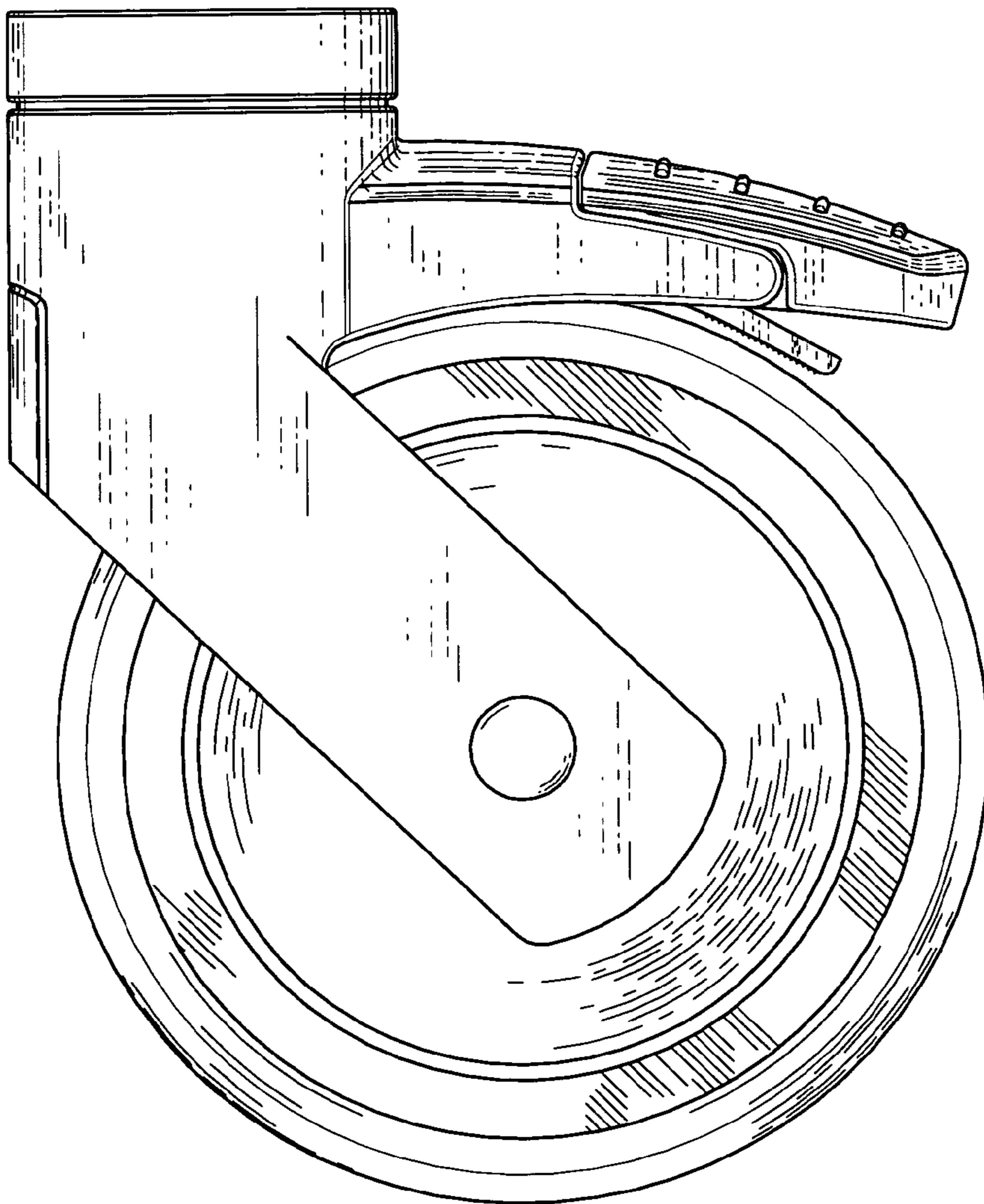


Fig. 4

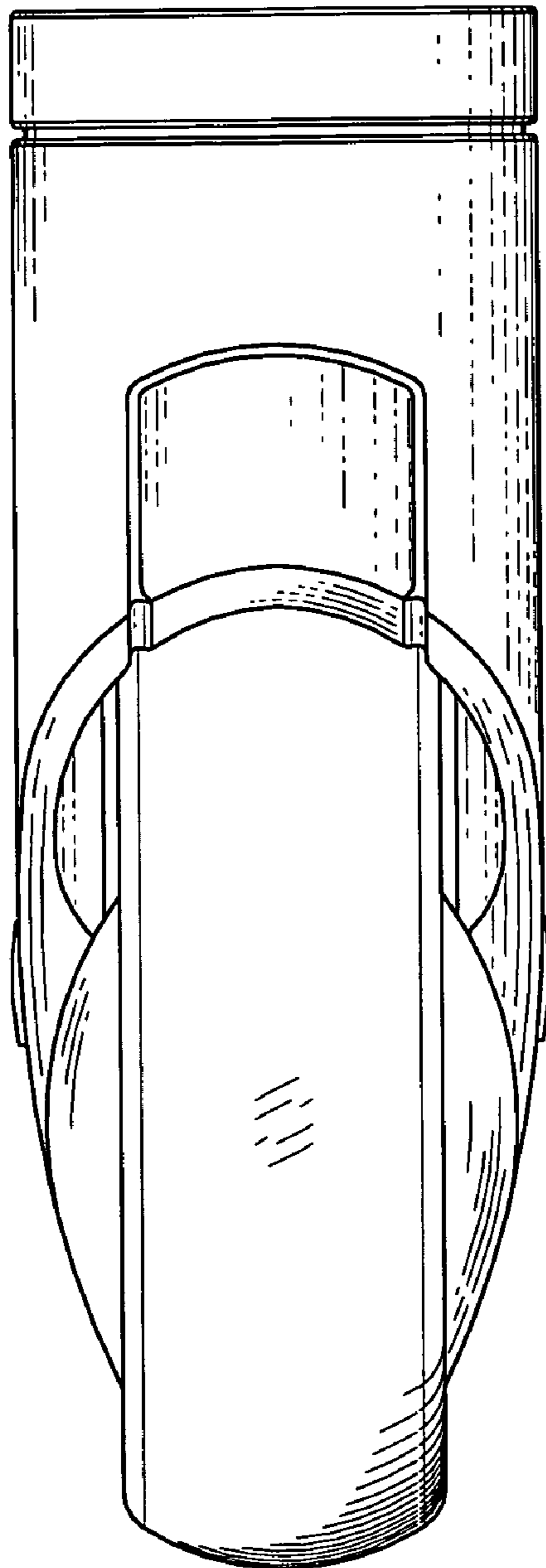


Fig. 5

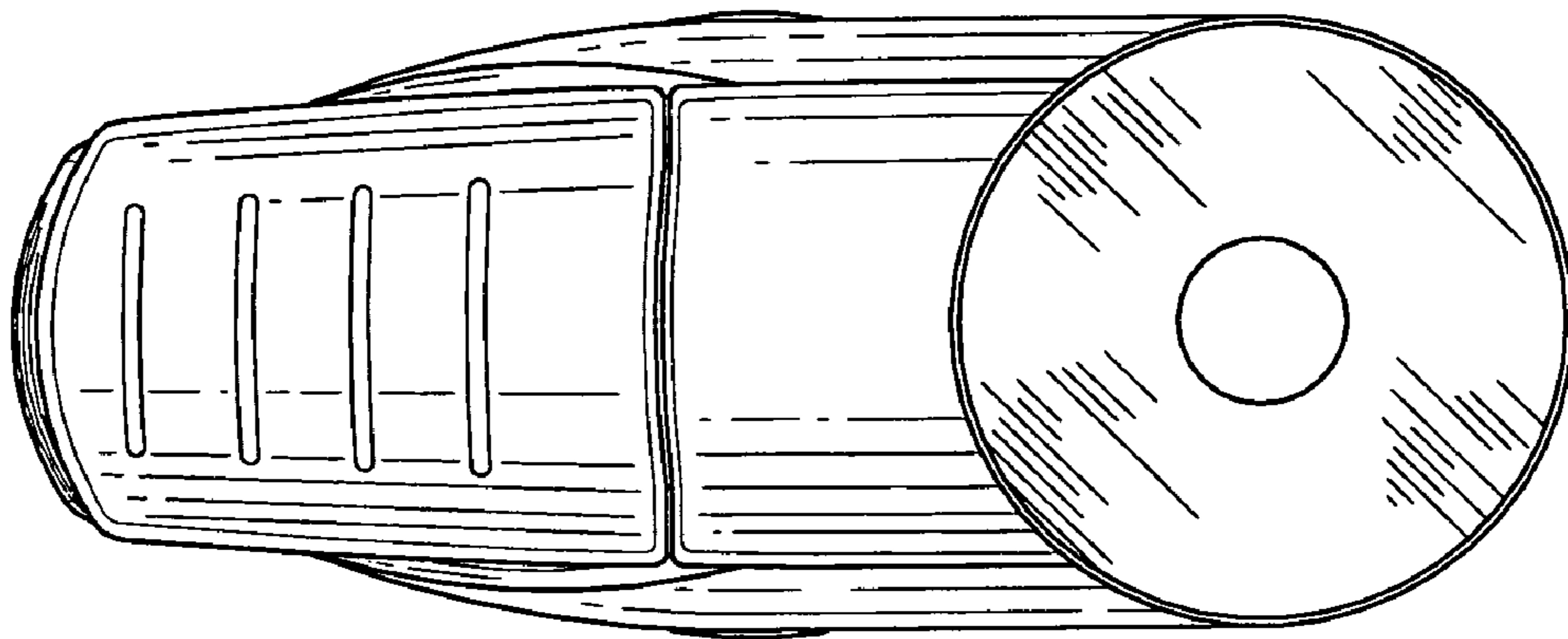


Fig. 6

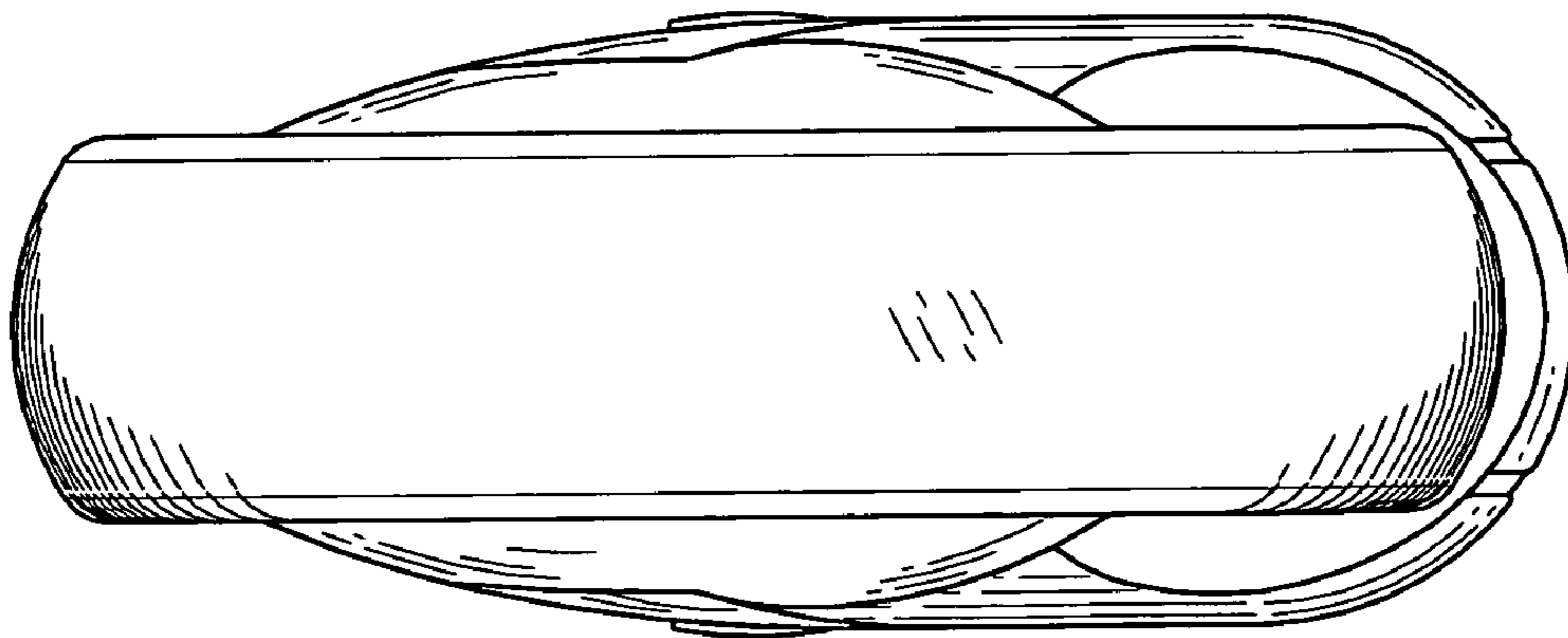


Fig. 7

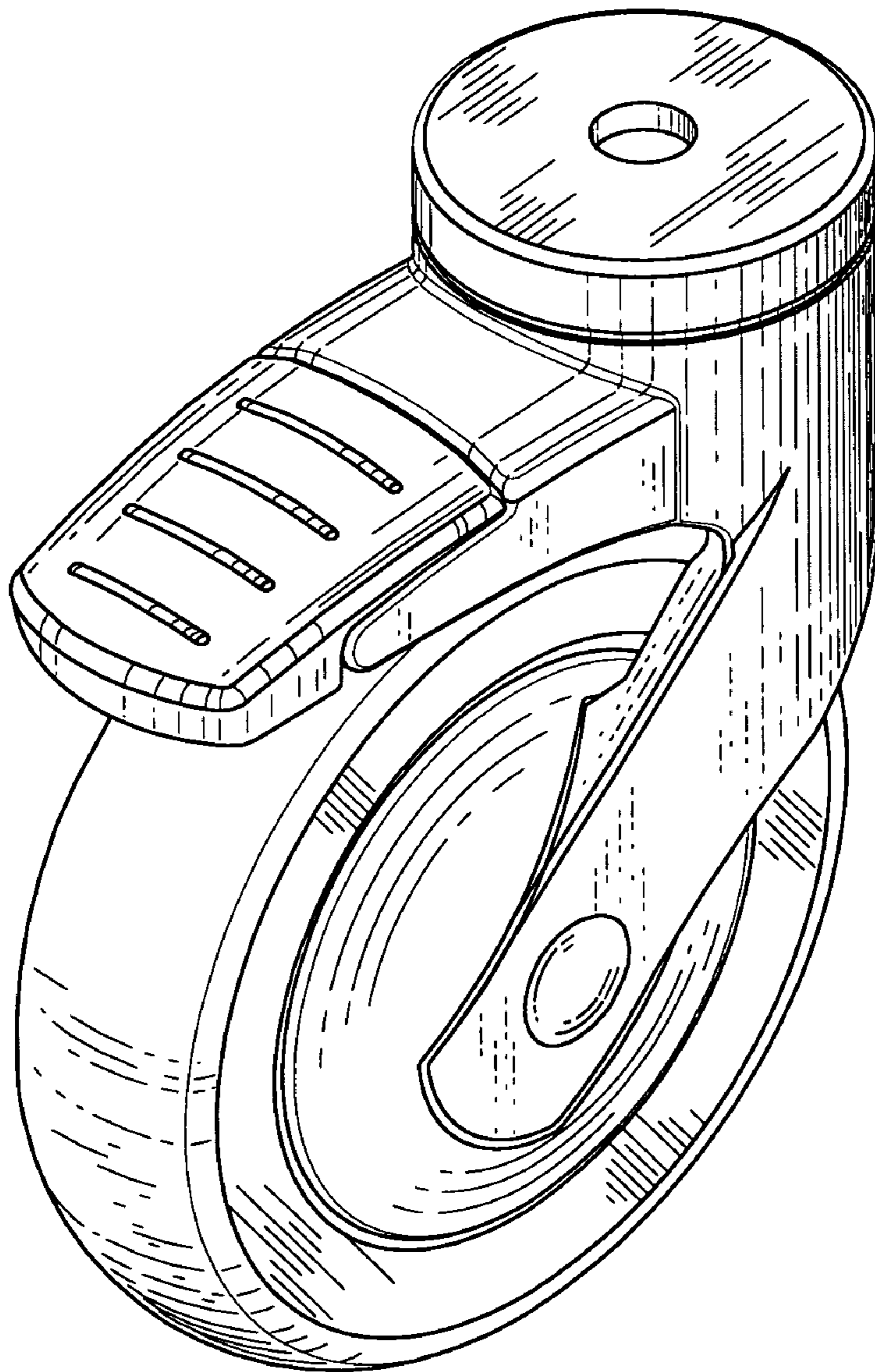


Fig. 8

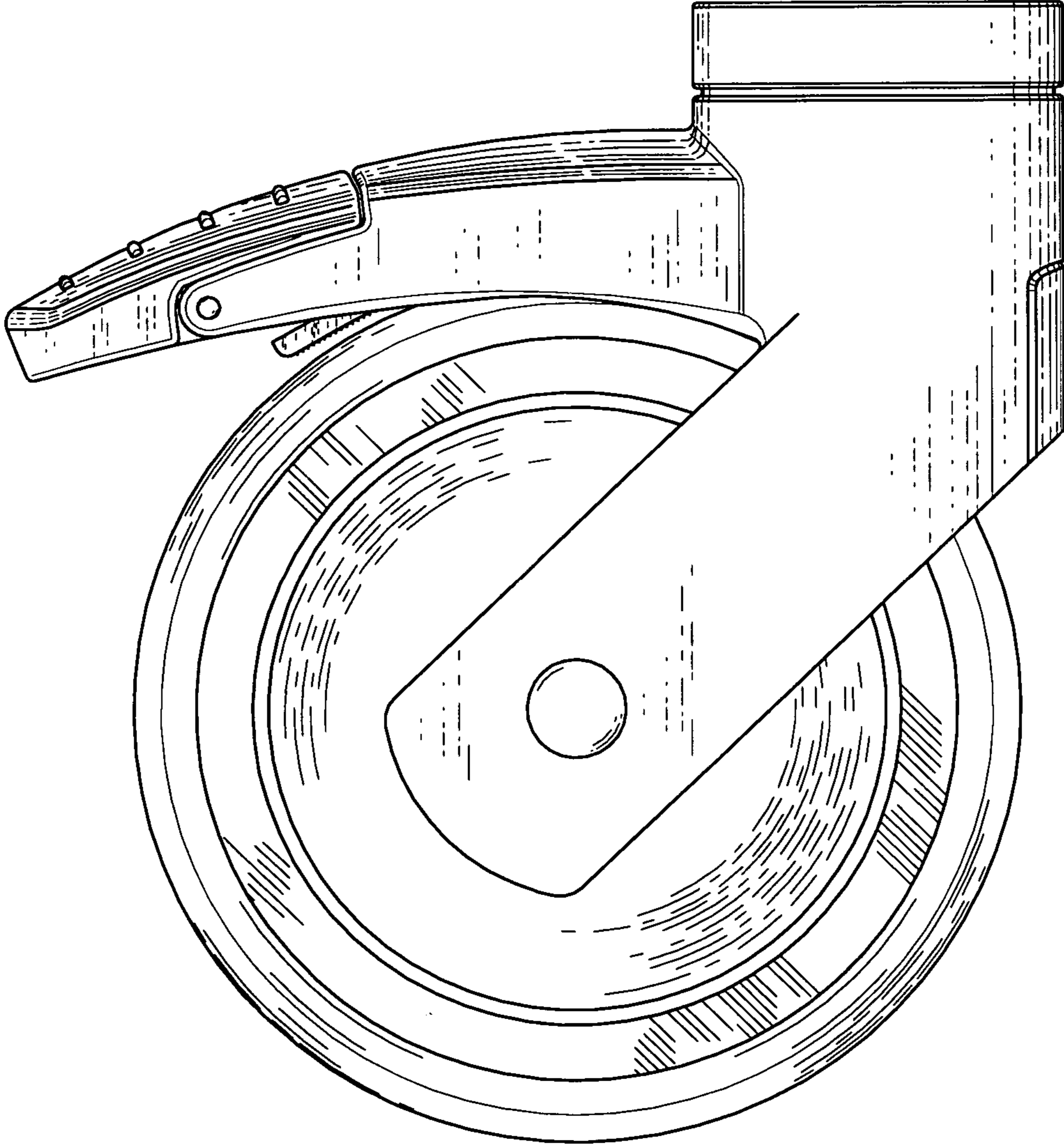


Fig. 9

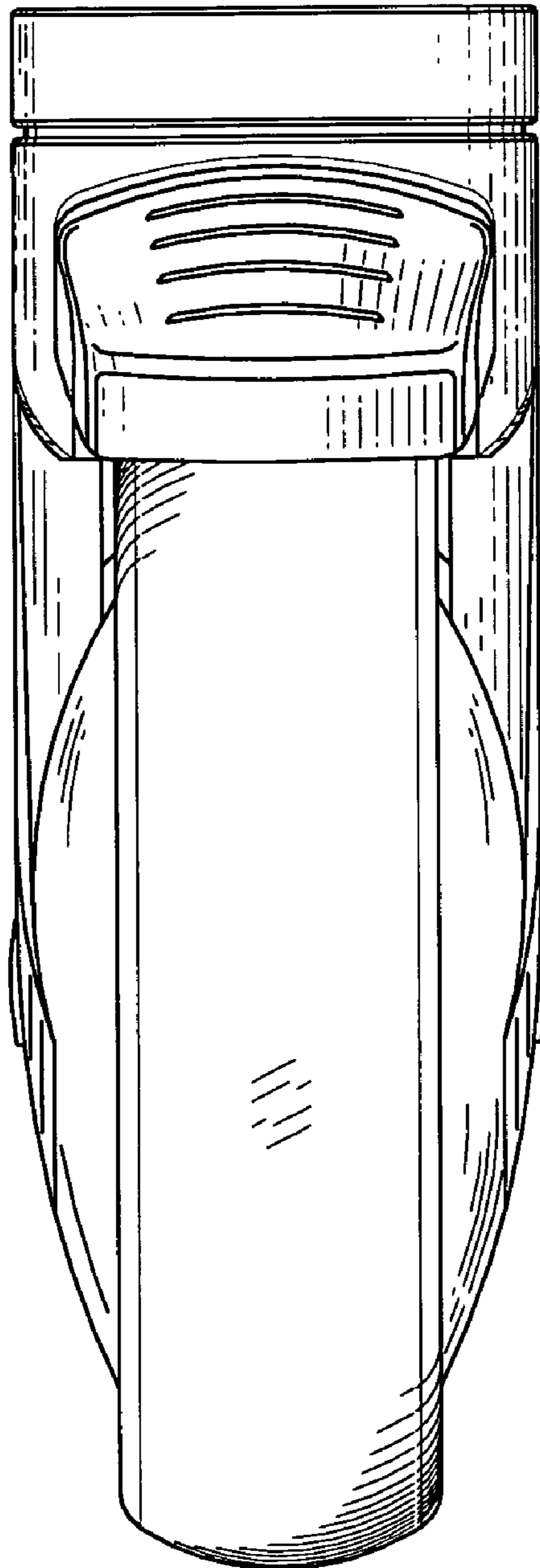


Fig. 10

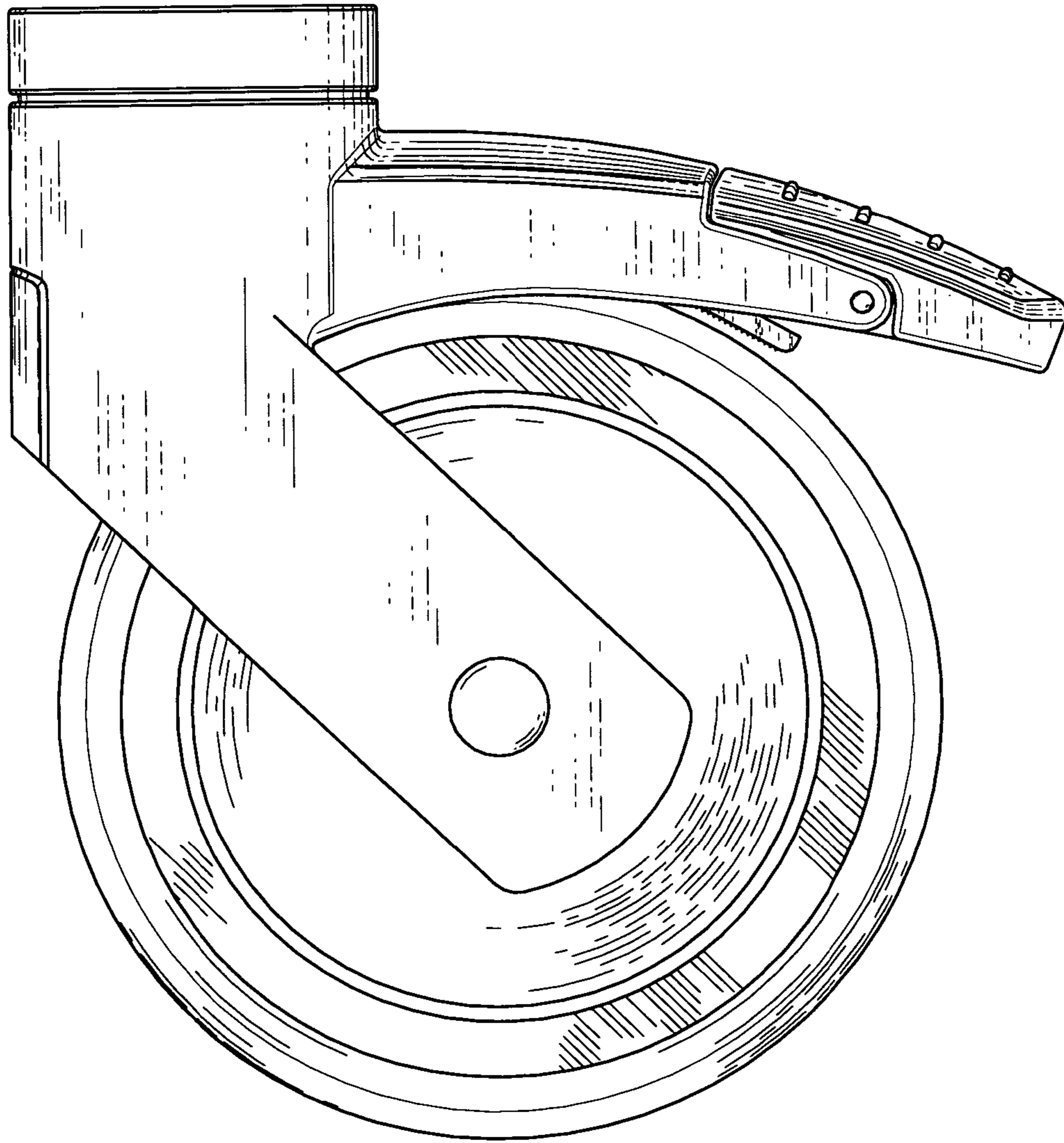


Fig. 11

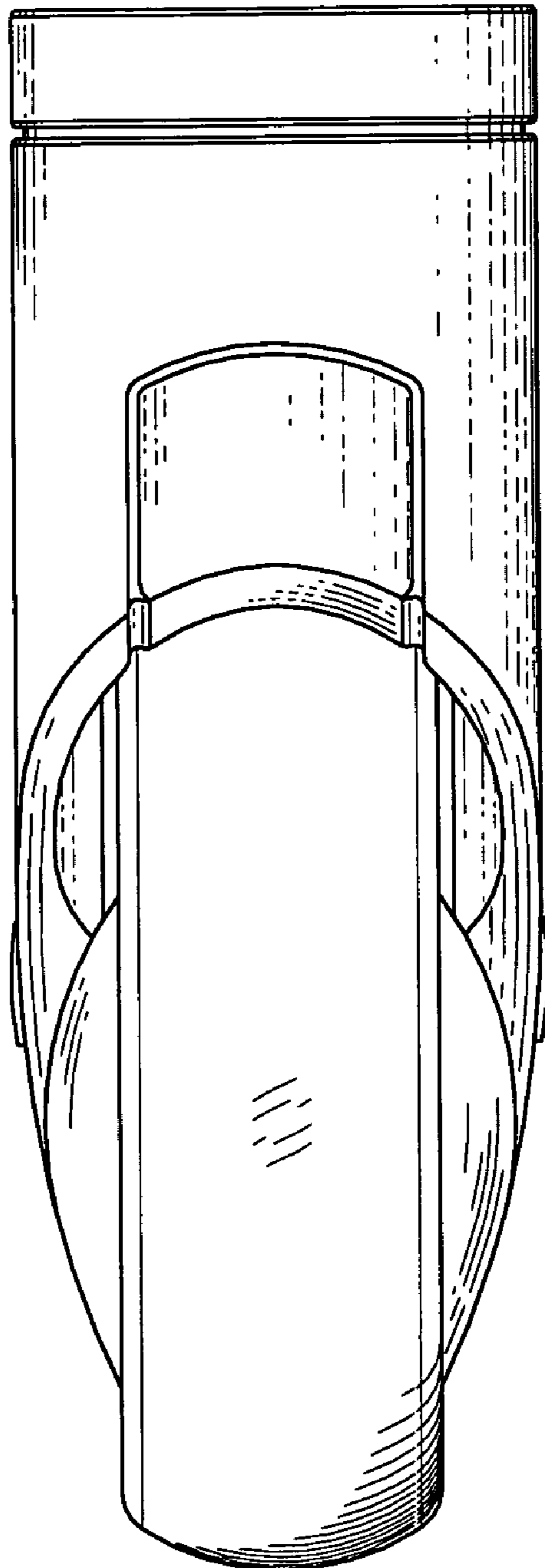


Fig. 12

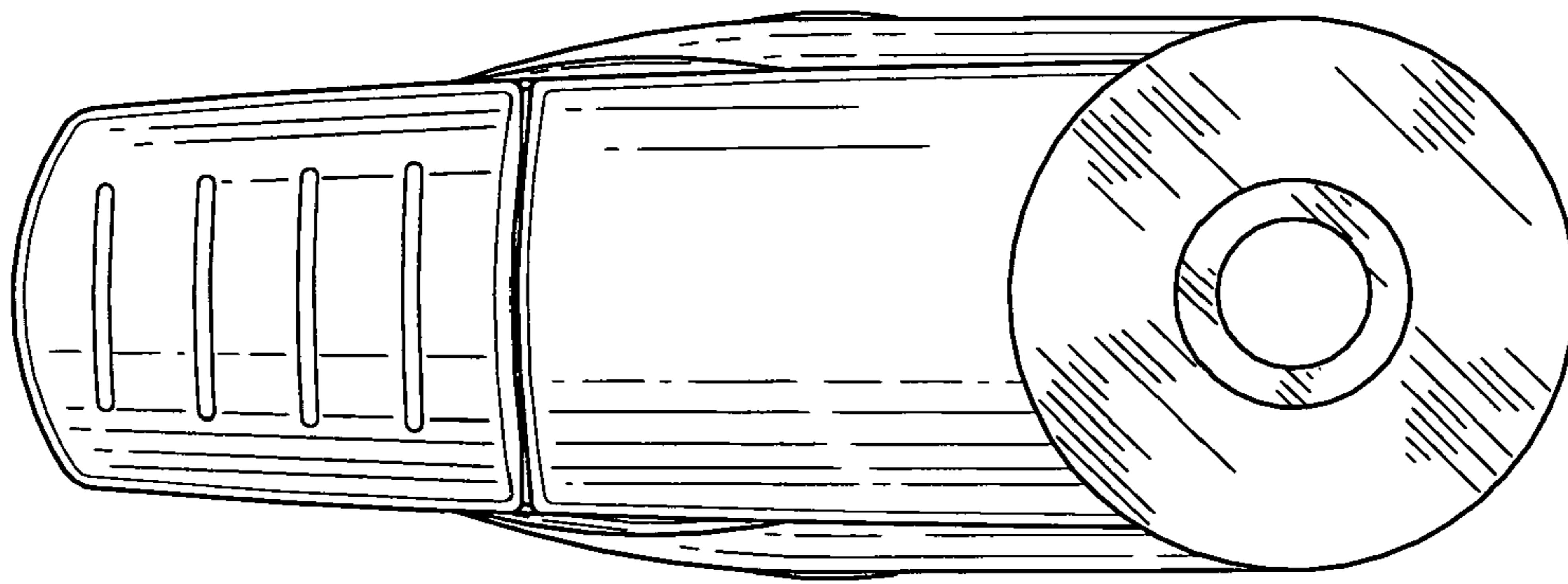


Fig. 13

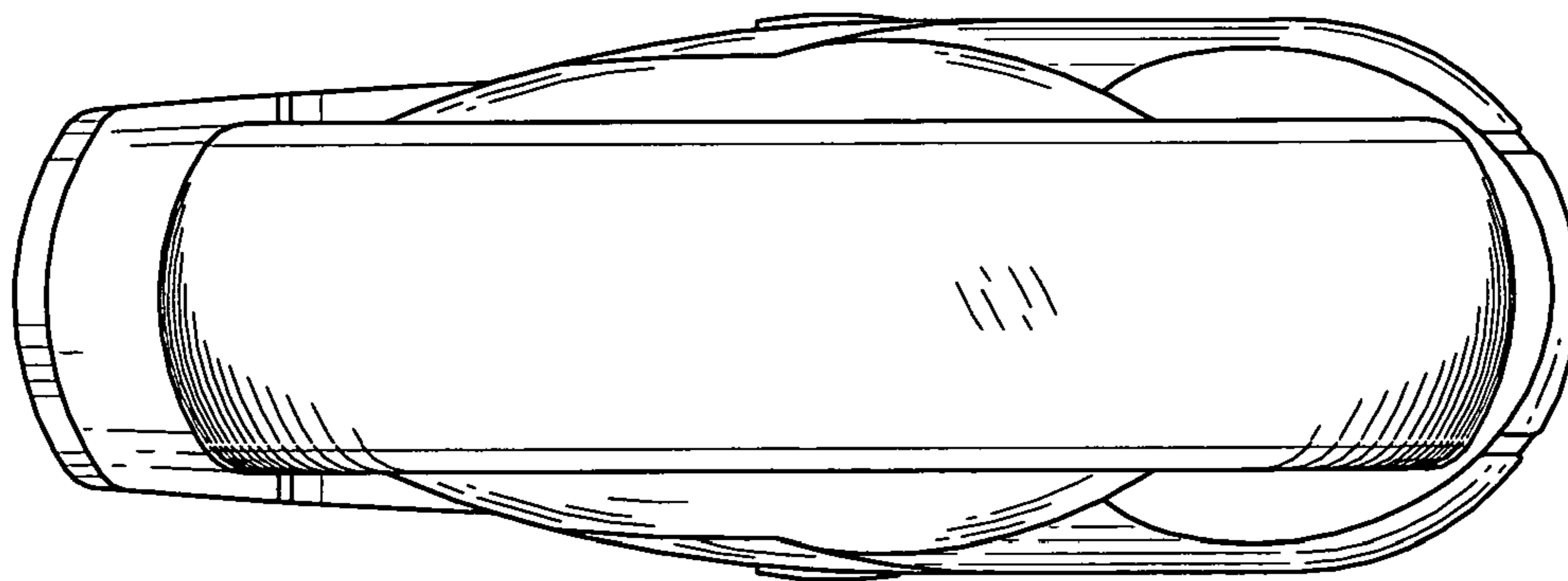


Fig. 14

