



US00D594314S

(12) **United States Design Patent**
Hutter, III

(10) **Patent No.:** **US D594,314 S**
(45) **Date of Patent:** **** Jun. 16, 2009**

(54) **STANDOFF POST WITH DOWNWARDLY
CONCAVE BASE**

(75) Inventor: **Charles G. Hutter, III**, Carson City, NV
(US)

(73) Assignee: **Physical Systems, Inc.**, Carson City, NV
(US)

(**) Term: **14 Years**

(21) Appl. No.: **29/327,157**

(22) Filed: **Oct. 31, 2008**

(51) **LOC (9) Cl.** **08-05**

(52) **U.S. Cl.** **D8/354**

(58) **Field of Classification Search** D8/349,
D8/354, 363, 373, 376, 382; D11/182; D12/223;
248/125.1, 127, 146, 158, 309.1, 310, 314,
248/346.01, 346.03, 357, 518, 519, 523,
248/539, 541

See application file for complete search history.

(56) **References Cited**

U.S. PATENT DOCUMENTS

D41,597 S *	7/1911	Rubenstein	D12/223
D45,131 S *	1/1914	Titchener	D12/223
D45,132 S *	1/1914	Titchener	D12/223
3,357,664 A *	12/1967	Geyer	248/74.4
D241,615 S *	9/1976	King	D8/373
D291,057 S *	7/1987	Shiraishi	D8/354
D295,258 S *	4/1988	Niwa	D8/354
D313,214 S *	12/1990	Phillips et al.	D12/223
D327,215 S *	6/1992	Pestone	D8/373
D357,172 S *	4/1995	Hsu	D8/354
D401,211 S *	11/1998	Simpson	D12/223

D417,135 S *	11/1999	McMahon	D8/354
D443,501 S *	6/2001	Sleppy	D8/354
D449,029 S *	10/2001	Hanson et al.	D12/223
D452,424 S *	12/2001	Simpson, Sr.	D8/382
D464,866 S *	10/2002	Switz et al.	D8/354
D466,395 S *	12/2002	Van Houten, II	D8/354
D488,704 S *	4/2004	Mercier	D8/354
D515,910 S *	2/2006	Gates et al.	D8/354
D522,348 S *	6/2006	Hansen	D8/354
D563,203 S *	3/2008	Benning	D8/354
D565,937 S *	4/2008	Tsai	D8/363

* cited by examiner

Primary Examiner—Holly H Baynham

Assistant Examiner—Cynthia M Chin

(74) *Attorney, Agent, or Firm*—Kelly Lowry & Kelley, LLP;
Stuart O. Lowry

(57) **CLAIM**

The ornamental design for a standoff post with downwardly concave base, as shown.

DESCRIPTION

FIG. 1 is a perspective view of a standoff post with downwardly concave base, showing the top, front and right sides thereof;

FIG. 2 is a front elevation view thereof;

FIG. 3 is a rear elevation view thereof;

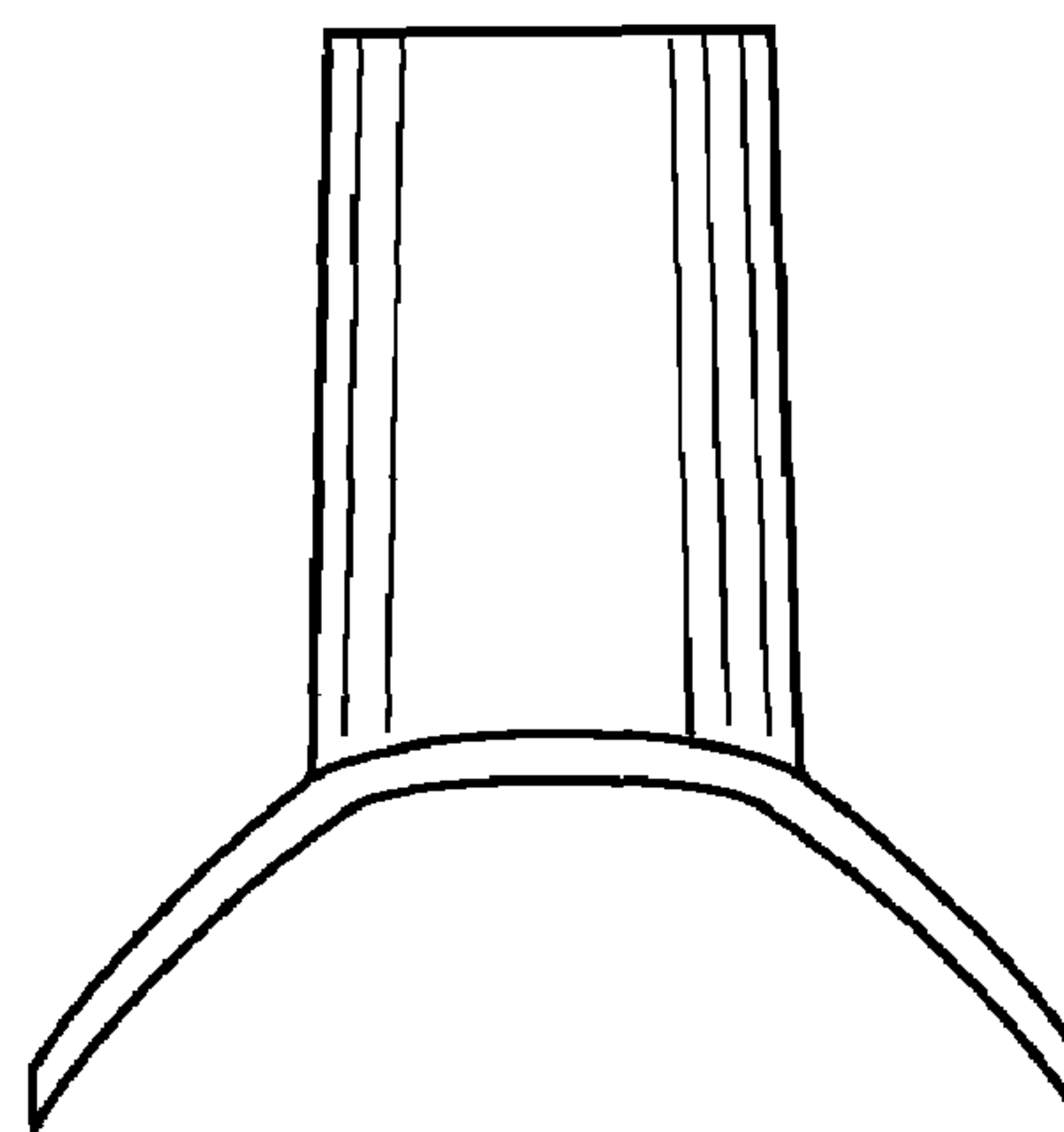
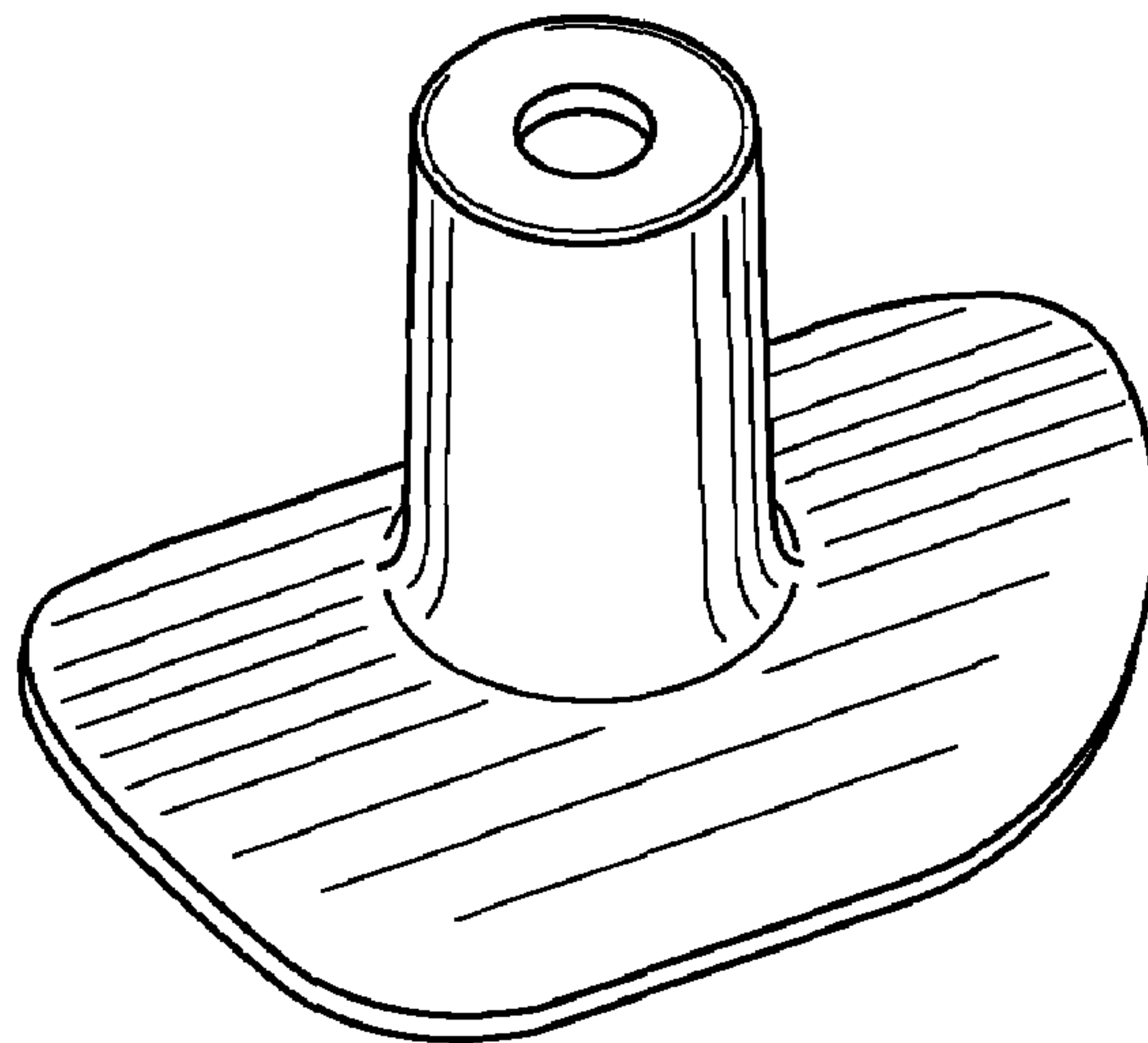
FIG. 4 is a right side elevation view thereof;

FIG. 5 is a left side elevation view thereof;

FIG. 6 is a top plan view thereof; and,

FIG. 7 is a bottom plan view thereof.

1 Claim, 1 Drawing Sheet



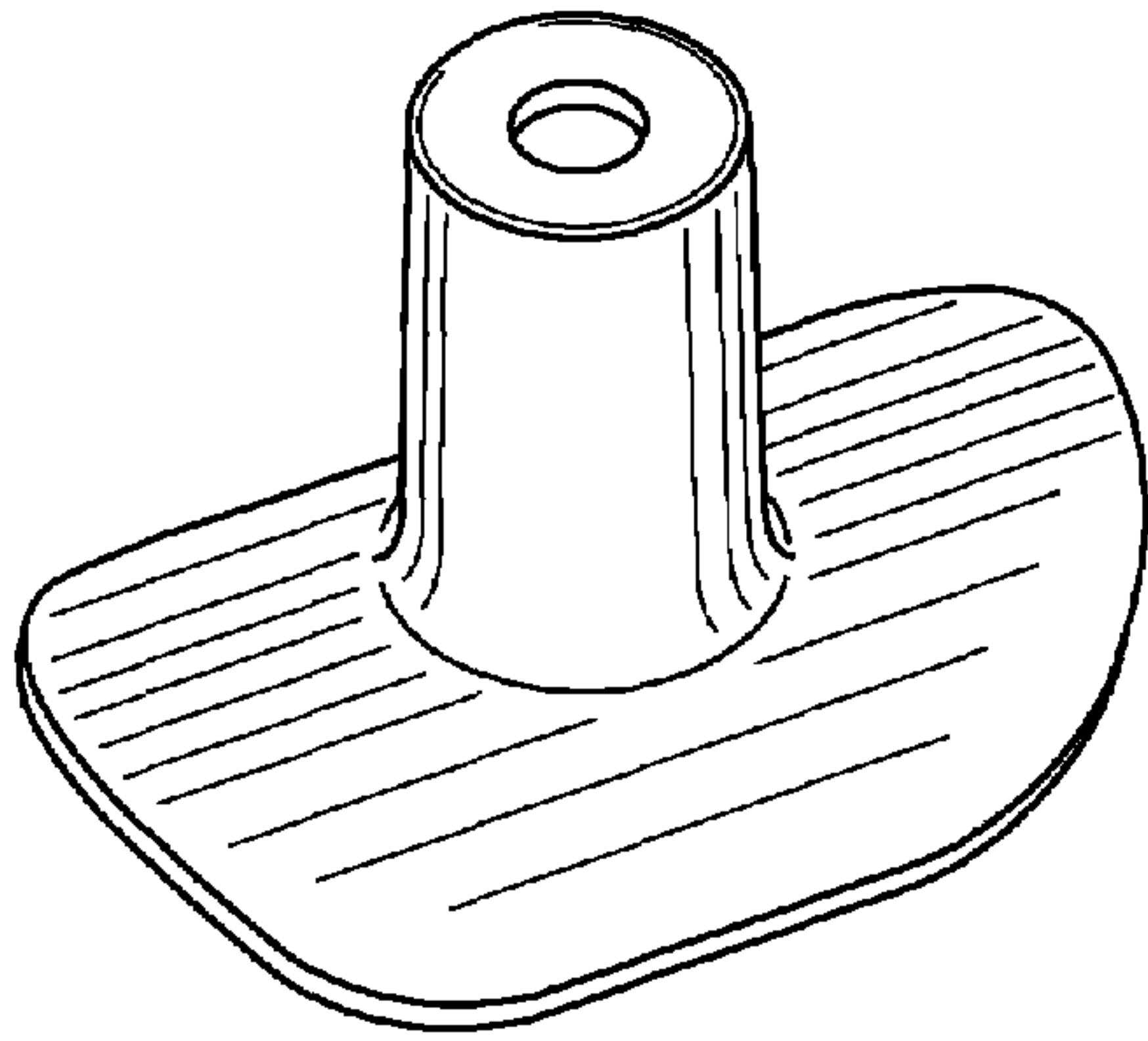


FIG. 1

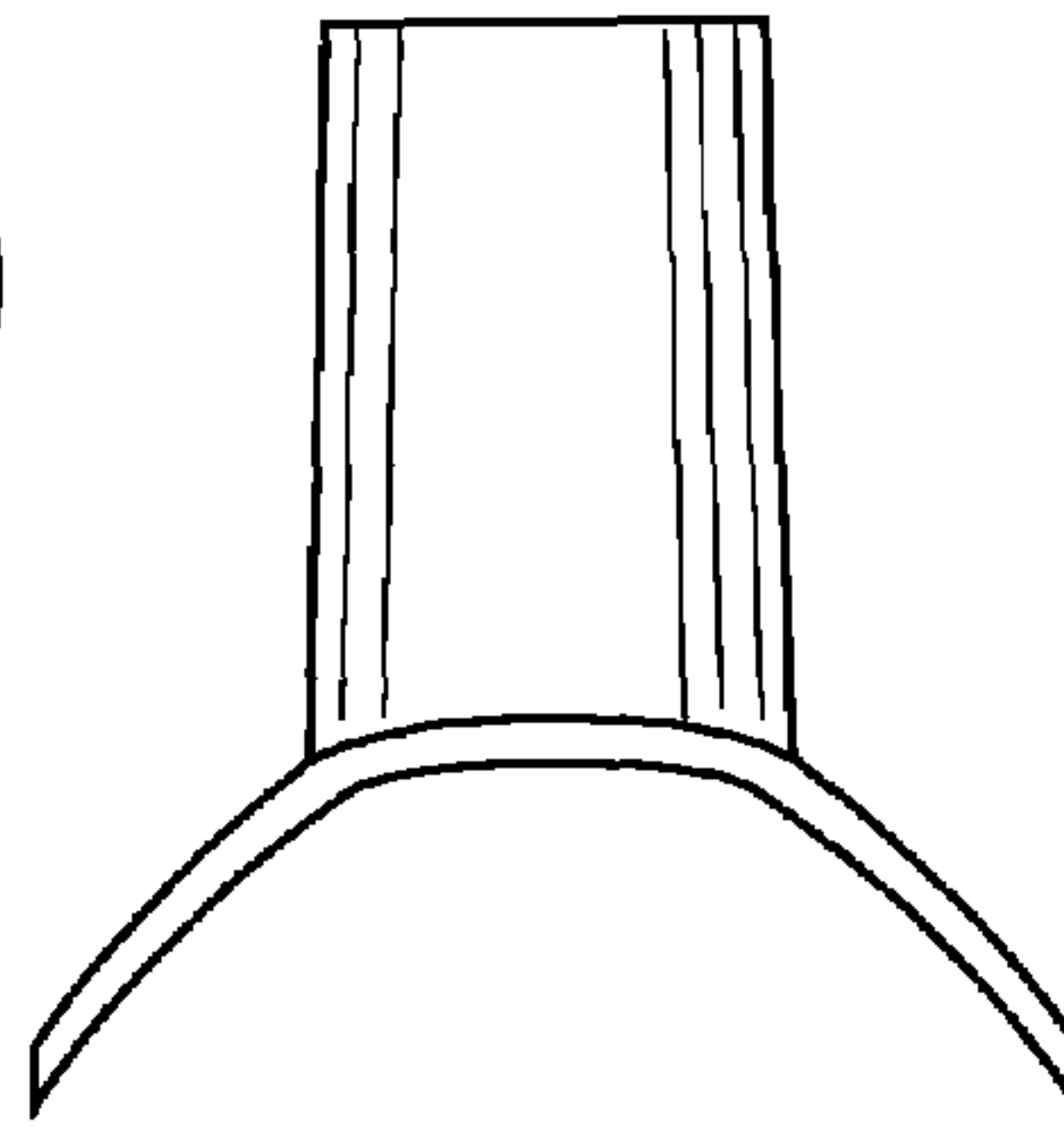


FIG. 2

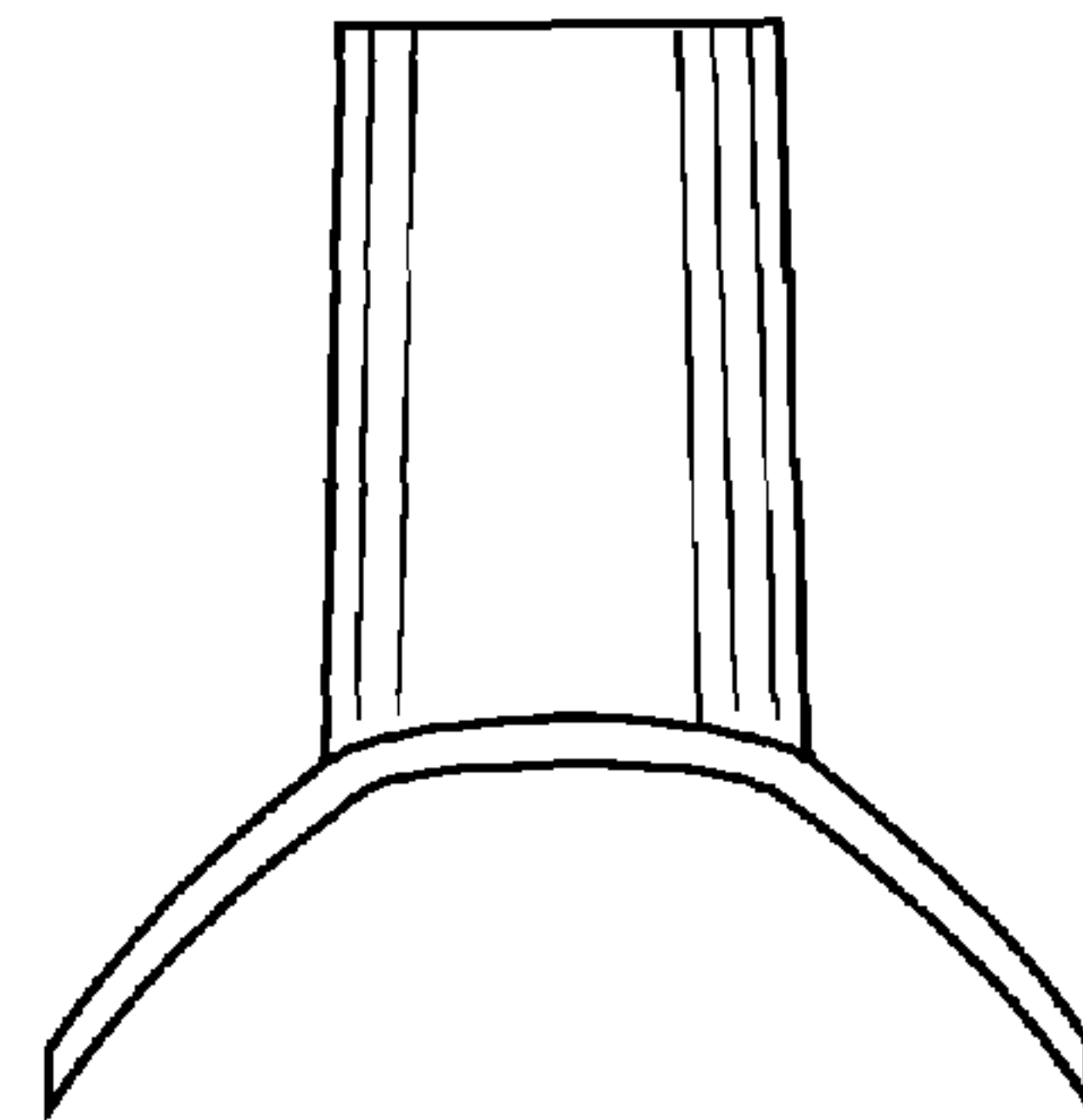


FIG. 3

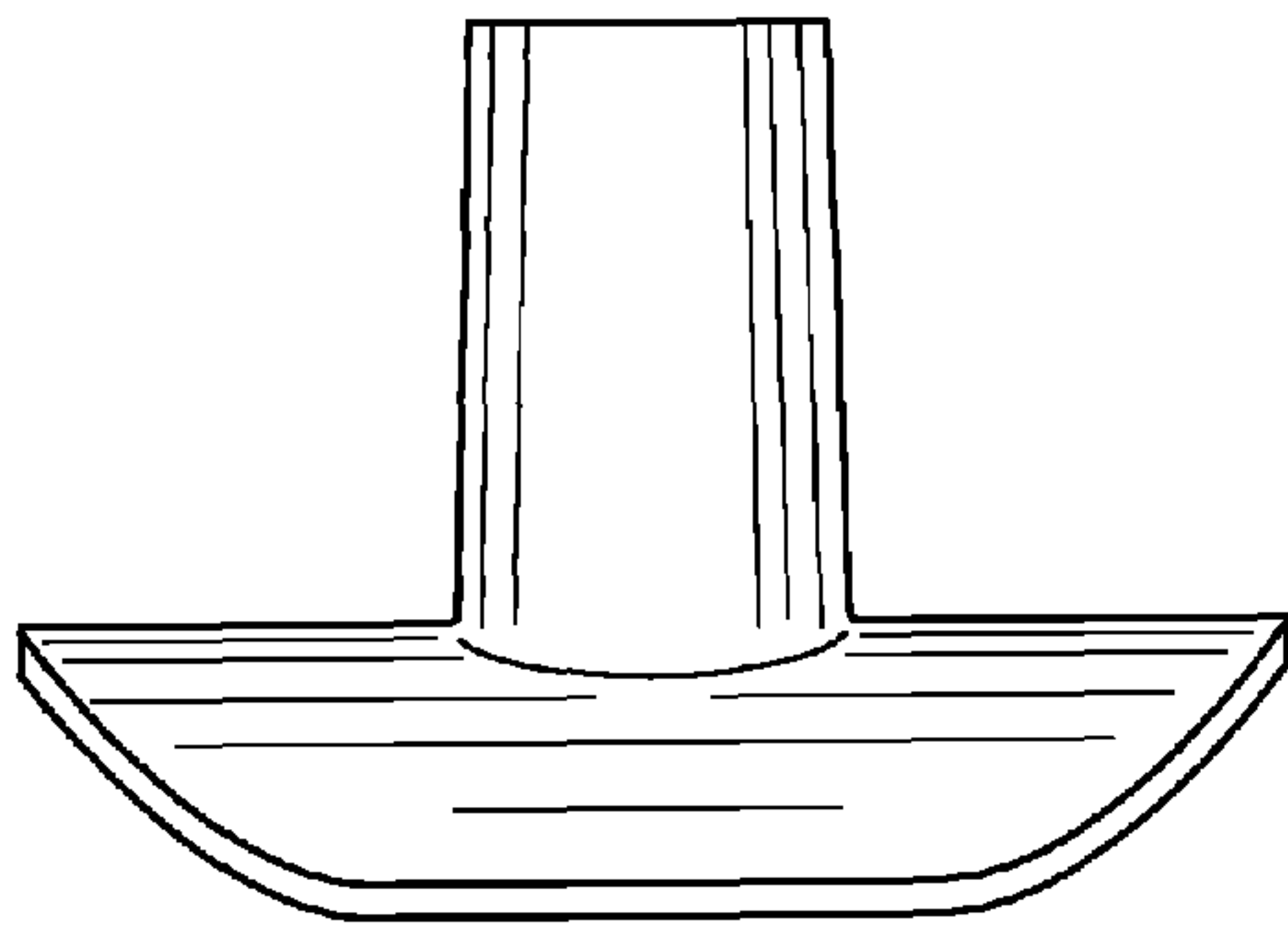


FIG. 4

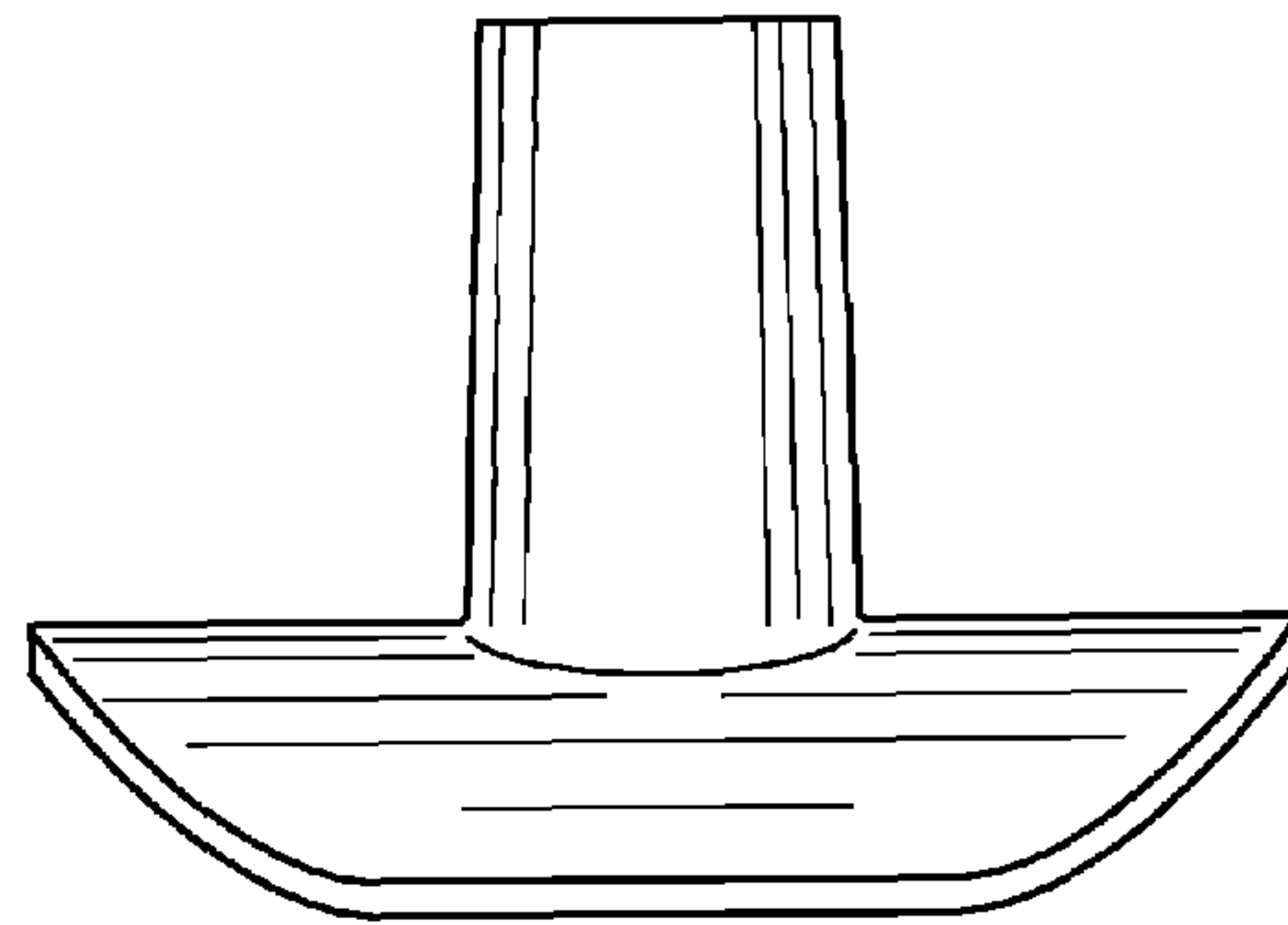


FIG. 5

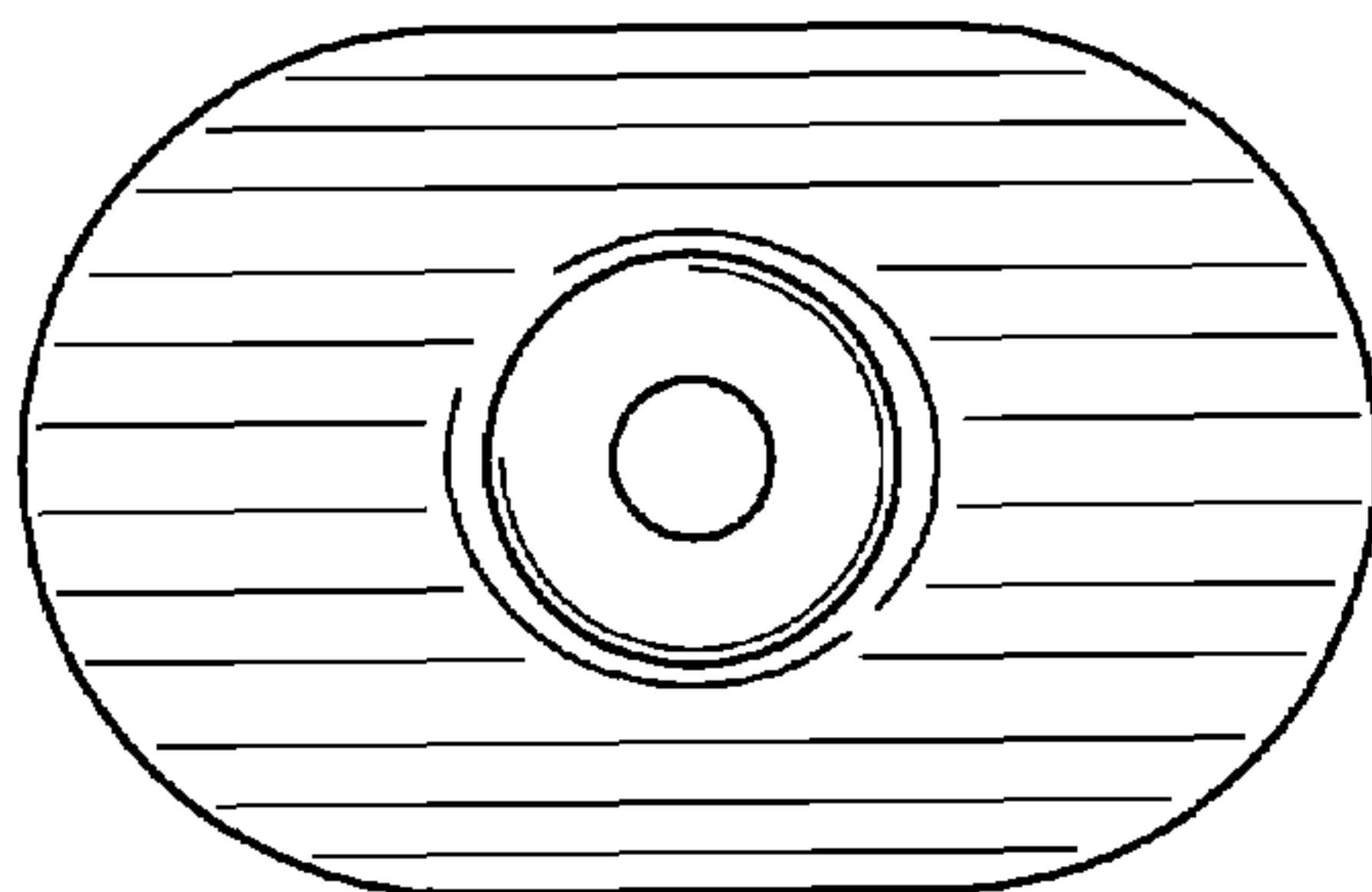


FIG. 6

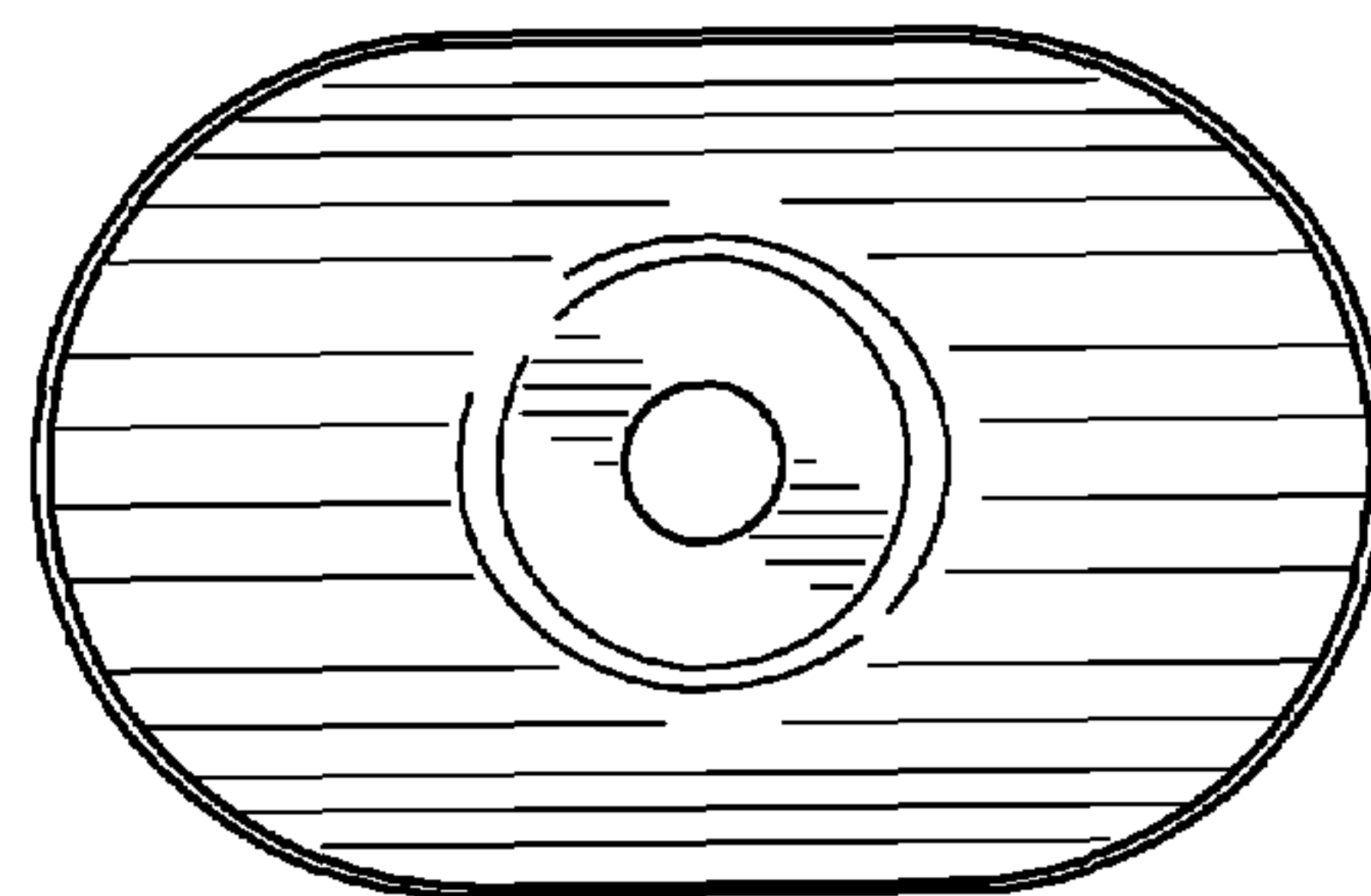


FIG. 7