

US00D594308S

(12) **United States Design Patent**
Davies et al.

(10) **Patent No.:** **US D594,308 S**

(45) **Date of Patent:** **** Jun. 16, 2009**

(54) **HAND-HOLDABLE CUTTING DEVICE**

D496,845 S * 10/2004 Smeja et al. D8/107
D499,325 S * 12/2004 McLean et al. D8/98

(75) Inventors: **Gareth Davies**, Bridgend (GB); **Simon Bathard**, Bridgend (GB)

* cited by examiner

(73) Assignee: **Tonic Studios Limited**, Mid Glamorgan (GB)

Primary Examiner—Philip S Hyder
(74) *Attorney, Agent, or Firm*—Gordon & Jacobson, PC

(**) Term: **14 Years**

(57) **CLAIM**

(21) Appl. No.: **29/297,861**

The ornamental design for a hand-holdable cutting device, as shown and described.

(22) Filed: **Nov. 20, 2007**

DESCRIPTION

(51) **LOC (9) Cl.** **08-03**

(52) **U.S. Cl.** **D8/98**

(58) **Field of Classification Search** D8/98,
D8/99; 30/293, 300, 310, 315, 316, 294,
30/296.1

See application file for complete search history.

FIG. 1 is a perspective view of the hand-holdable cutting device of the present invention;

FIG. 2 is a side view of the hand-holdable cutting device of the present invention;

FIG. 3 is another side view of the hand-holdable cutting device of the present invention;

FIG. 4 is yet another side view of the hand-holdable cutting device of the present invention; and,

FIG. 5 is a top view of the hand-holdable cutting device of the present invention.

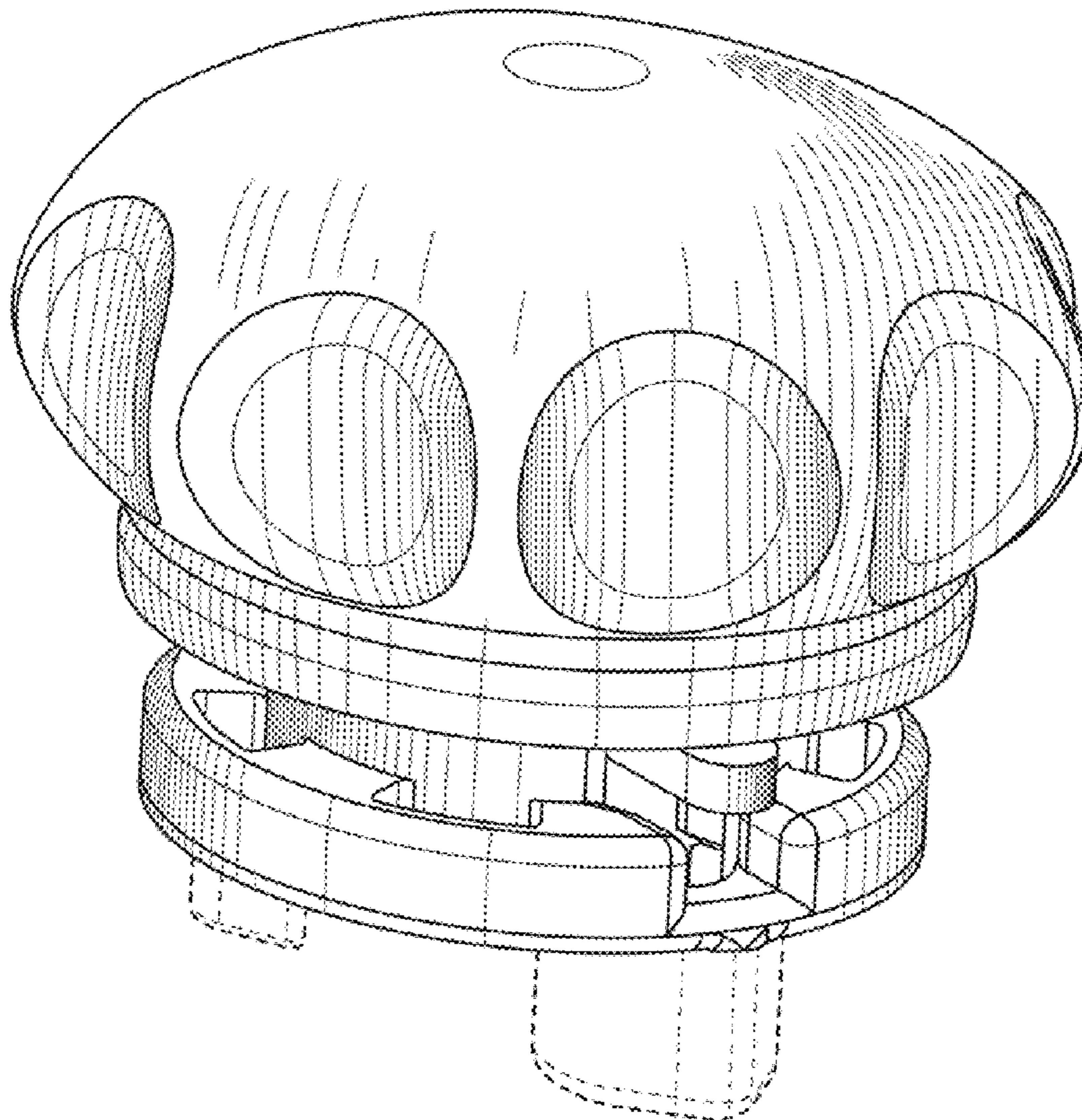
The broken lines illustrate portions of the hand-holdable cutting device that form no part of the claimed design.

(56) **References Cited**

U.S. PATENT DOCUMENTS

| | | | | | |
|-----------|------|--------|-------------------|-------|---------|
| 3,456,346 | A * | 7/1969 | Snyder | | 30/310 |
| D245,392 | S * | 8/1977 | Bascom et al. | | D8/15 |
| 4,593,467 | A * | 6/1986 | Safar | | 30/300 |
| 5,860,217 | A * | 1/1999 | Braun | | 30/300 |
| D409,630 | S * | 5/1999 | Cornell et al. | | D15/127 |
| D422,188 | S * | 4/2000 | Lira-Nunez | | D8/98 |
| 6,216,577 | B1 * | 4/2001 | Lira-Nunez et al. | | 83/745 |

1 Claim, 5 Drawing Sheets



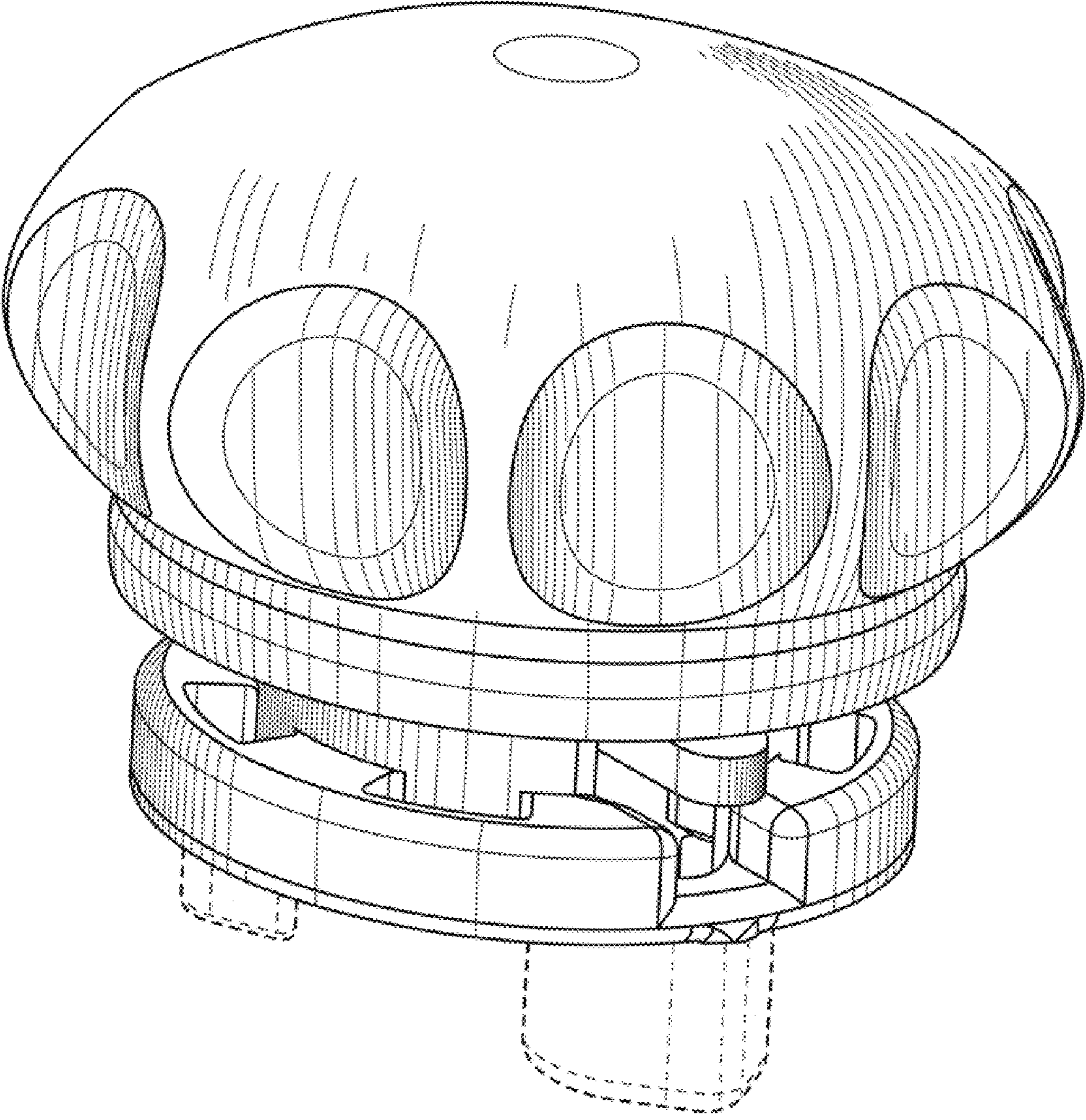


FIG. 1

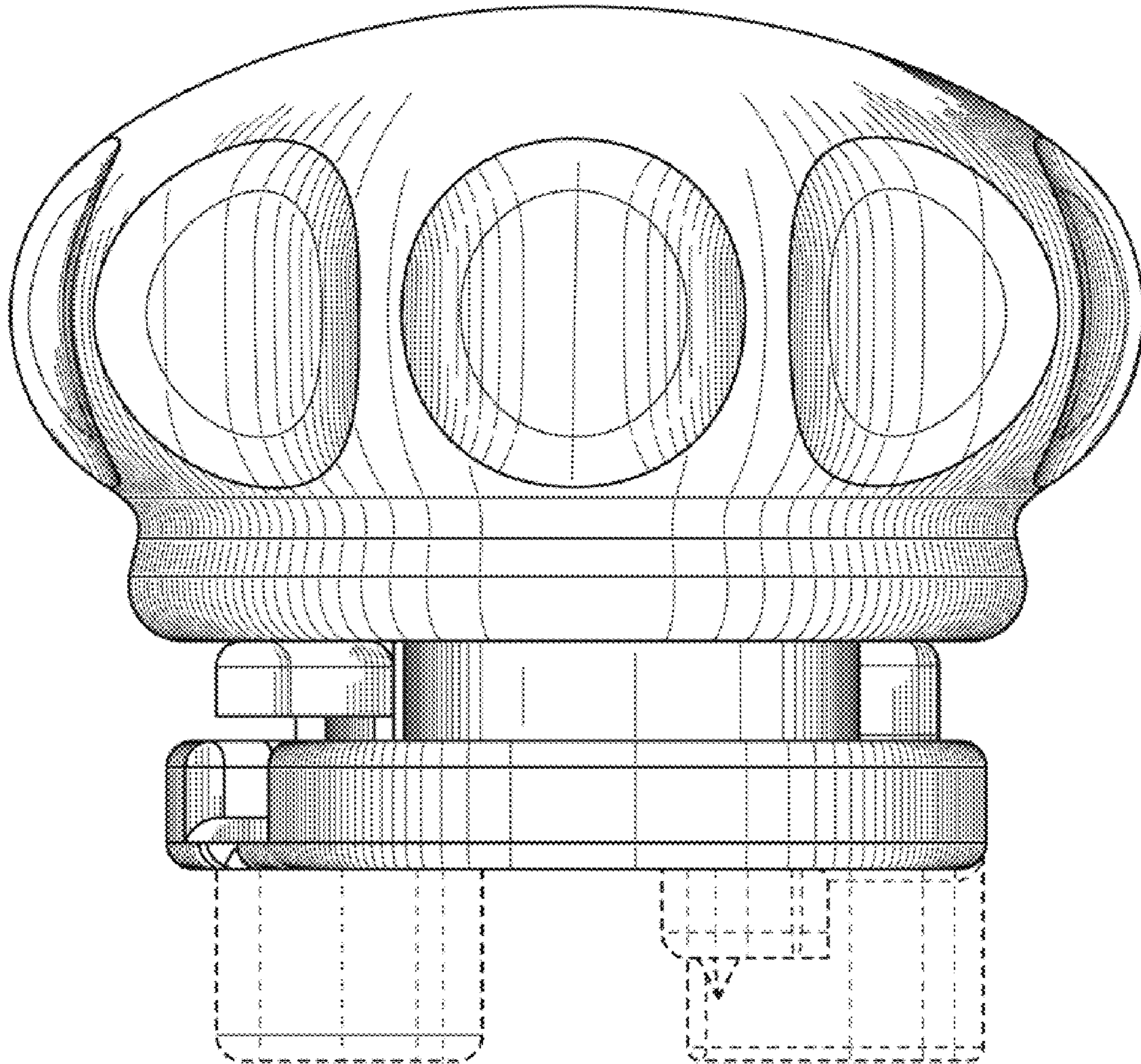


FIG. 2

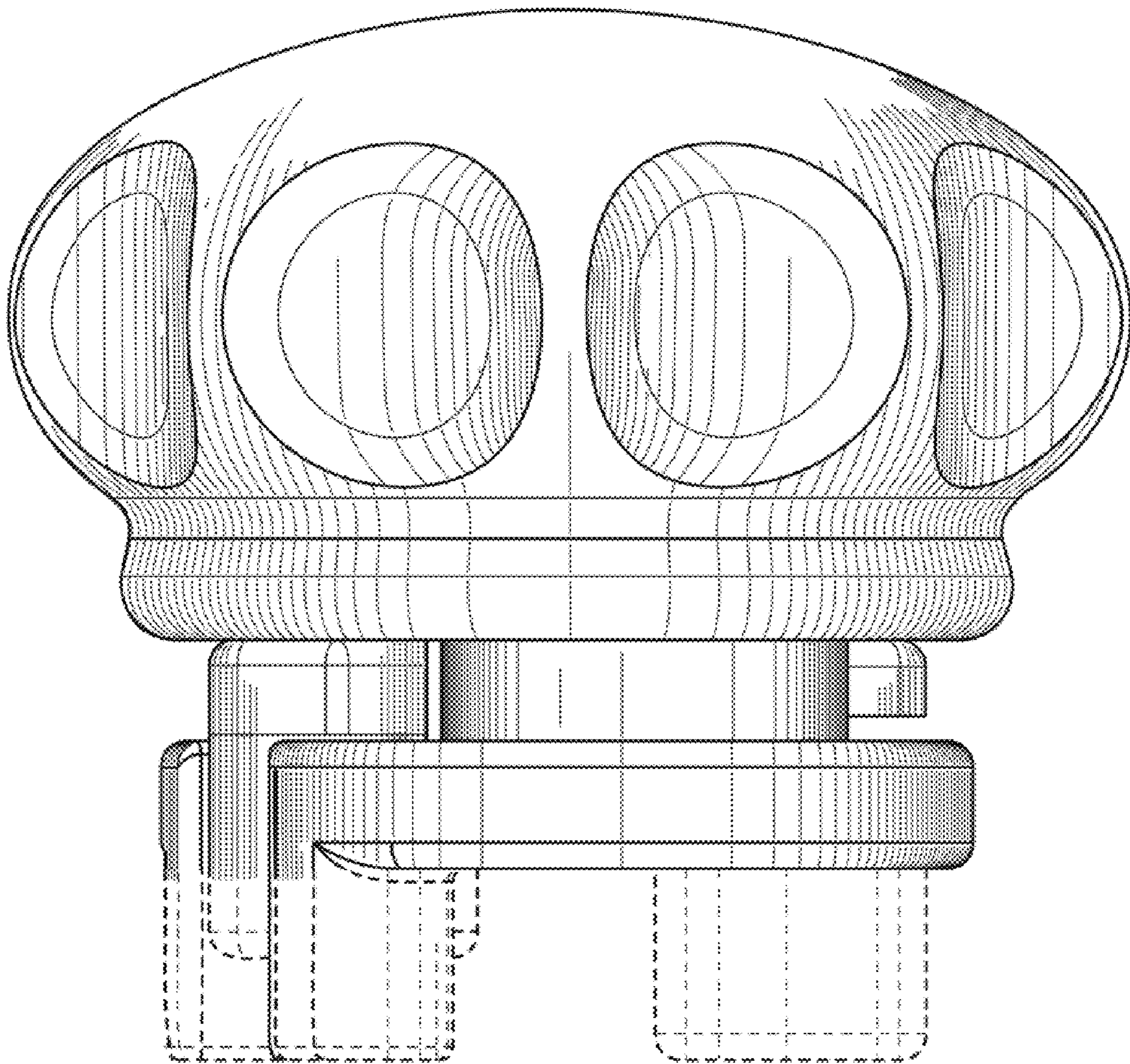


FIG. 3

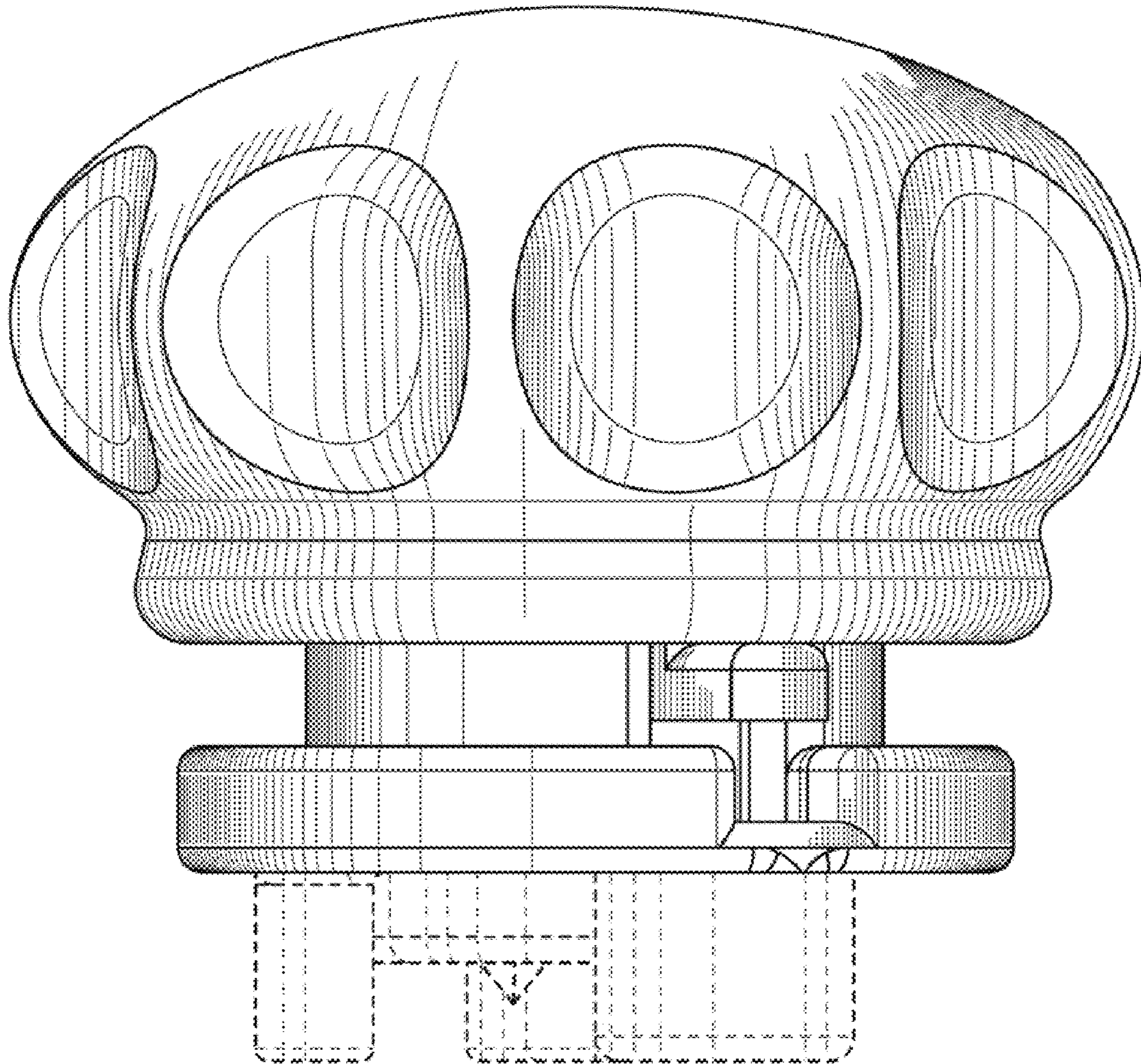


FIG. 4

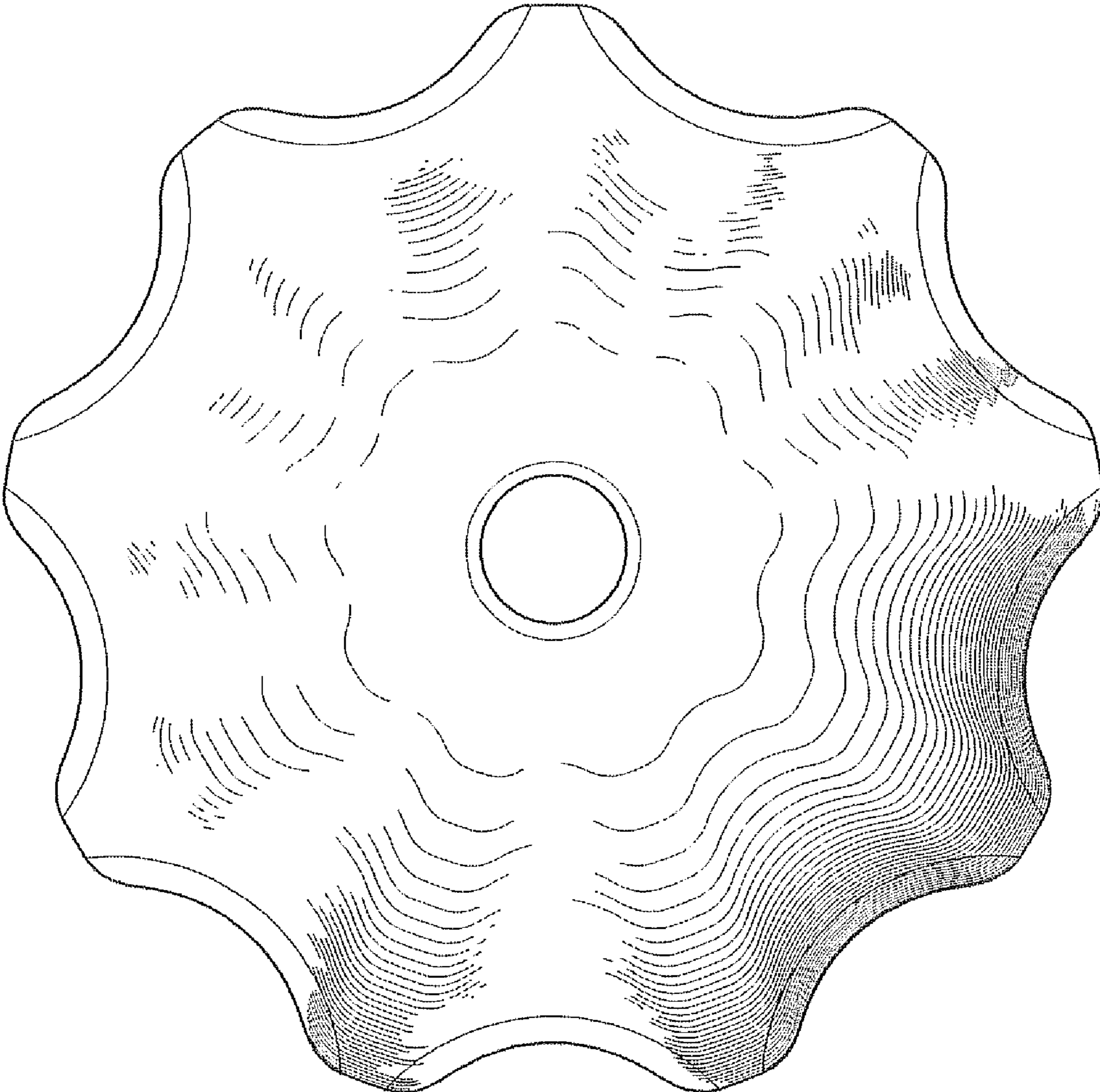


FIG. 5