

US00D594307S

(12) **United States Design Patent**  
**Ali et al.**

(10) **Patent No.:** **US D594,307 S**  
(45) **Date of Patent:** **\*\* Jun. 16, 2009**

(54) **HANDLE FOR HAND SANDER**

D530,178 S \* 10/2006 Bortz ..... D8/90

(75) Inventors: **Terry Ali**, Xenia, OH (US); **Christopher Ali**, Beavercreek, OH (US)

\* cited by examiner

*Primary Examiner*—Philip S Hyder

(73) Assignee: **Ali Industries, Inc.**, Fairborn, OH (US)

(74) *Attorney, Agent, or Firm*—R. William Graham

(\*\*) Term: **14 Years**

(57) **CLAIM**

(21) Appl. No.: **29/297,125**

What is claimed is the ornamental design for the handle for hand sander, as shown and described herein.

(22) Filed: **Nov. 5, 2007**

**DESCRIPTION**

(51) **LOC (9) Cl.** ..... **08-05**

FIG. 1 is a perspective view of a handle for hand sander showing our new design;

(52) **U.S. Cl.** ..... **D8/90**

FIG. 2 is a top view of a handle for hand sander showing our new design;

(58) **Field of Classification Search** ..... D8/14,  
D8/90; D32/40; 451/523, 524, 525, 540;  
15/235.01, 236.02

FIG. 3 is a right side elevation view of a handle for hand sander showing our new design;

See application file for complete search history.

FIG. 4 is a left side elevation view of a handle for hand sander showing our new design;

(56) **References Cited**

**U.S. PATENT DOCUMENTS**

5,054,248	A *	10/1991	Thayer	.....	451/524
D329,583	S *	9/1992	Medina	.....	D8/90
D369,411	S *	4/1996	Holt	.....	D24/147
5,662,519	A *	9/1997	Arnold	.....	451/525
D406,037	S *	2/1999	Ali	.....	D8/90
6,267,658	B1 *	7/2001	Ali et al.	.....	451/523
D462,597	S *	9/2002	Deshler	.....	D8/90
D470,381	S *	2/2003	Magann	.....	D8/90
D477,764	S *	7/2003	Magann	.....	D8/90
6,634,937	B1 *	10/2003	Edwards et al.	.....	451/502
6,925,675	B1 *	8/2005	Trunecek	.....	15/236.02

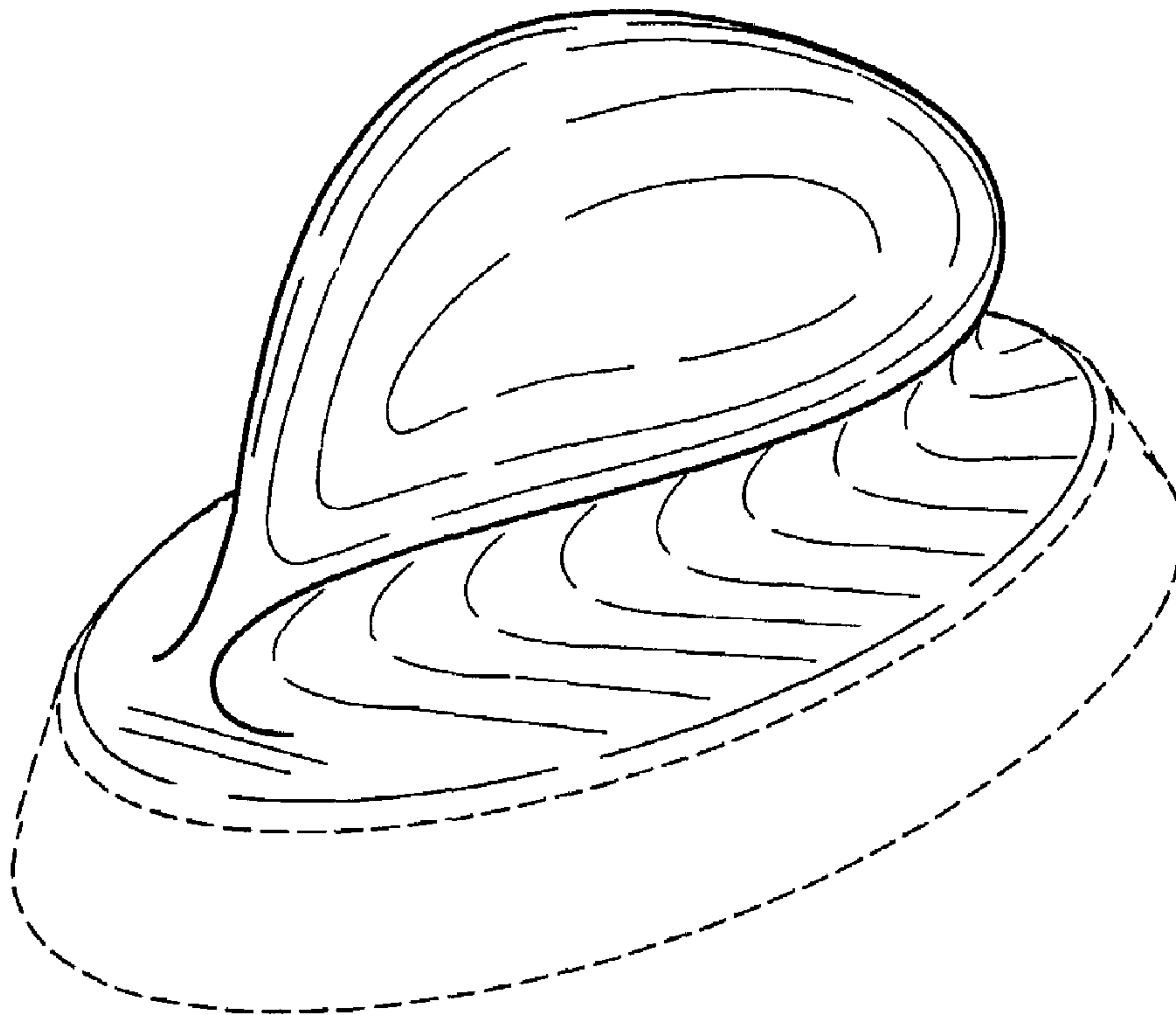
FIG. 5 is a bottom plan view of a handle for hand sander showing our new design;

FIG. 6 is back end view of a handle for hand sander showing our new design; and,

FIG. 7 is front end view of a handle for hand sander showing our new design.

The dotted line in the drawings is intended to represent a bottom of the sander and is not part of the claimed design.

**1 Claim, 4 Drawing Sheets**



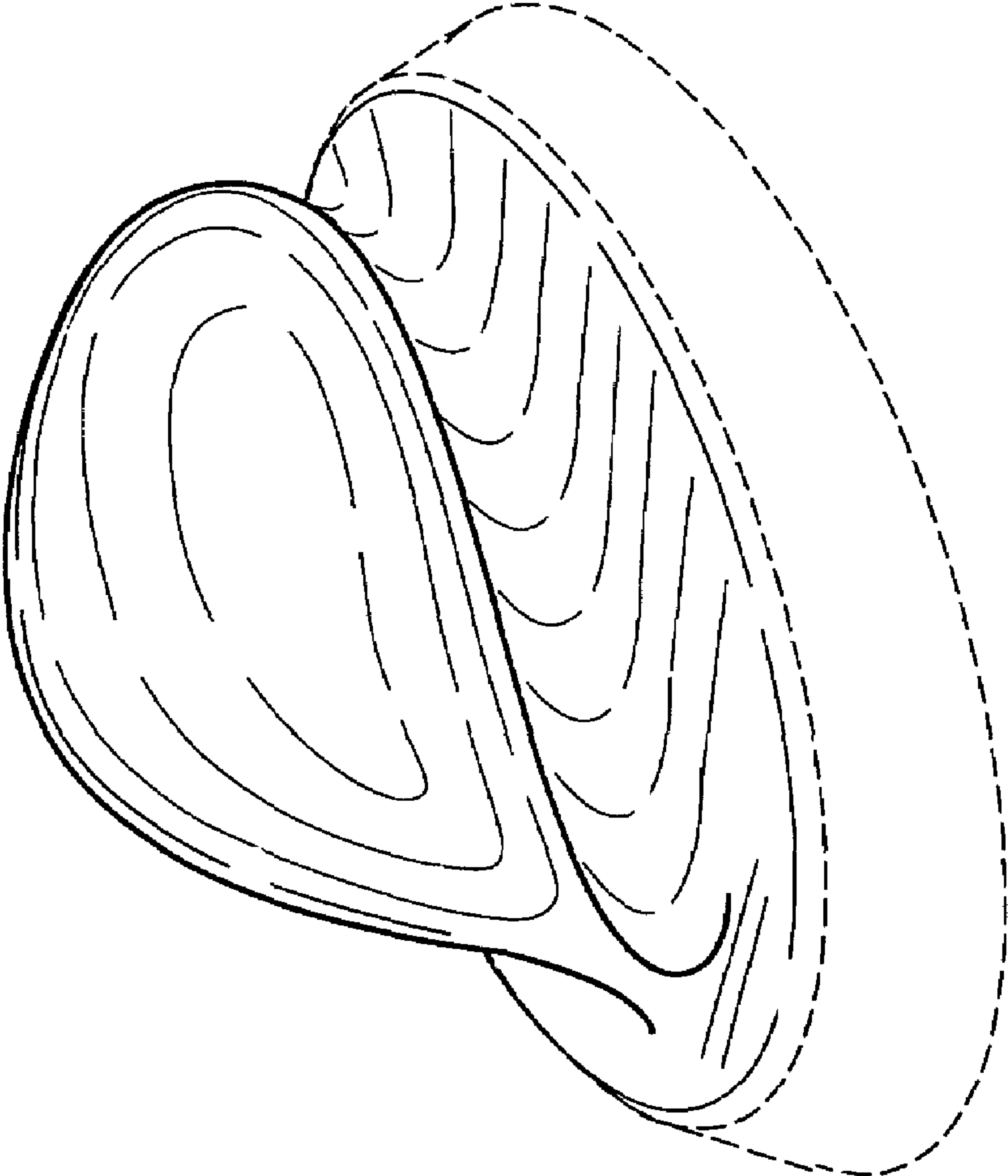


Fig. 1

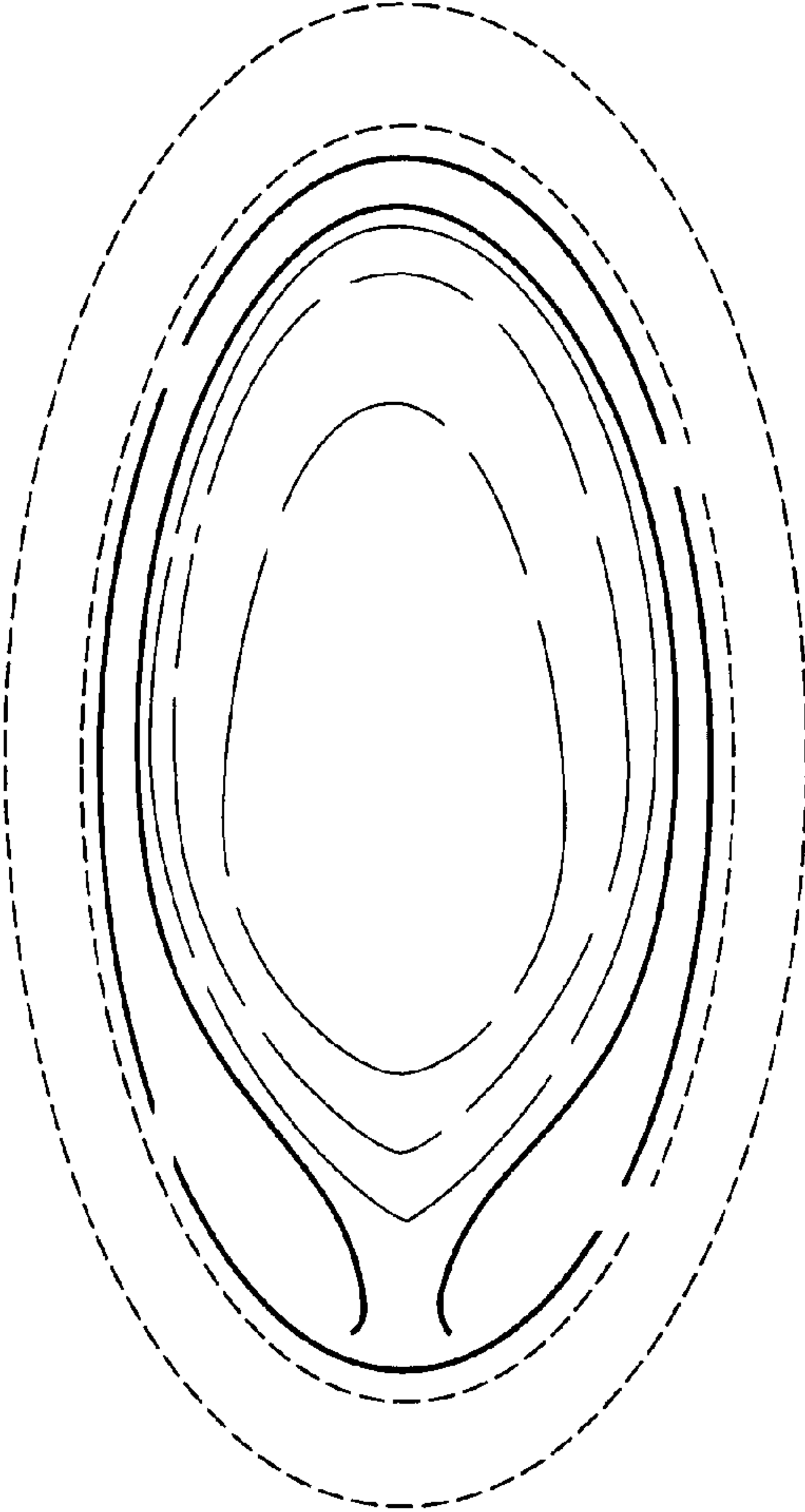


Fig. 2

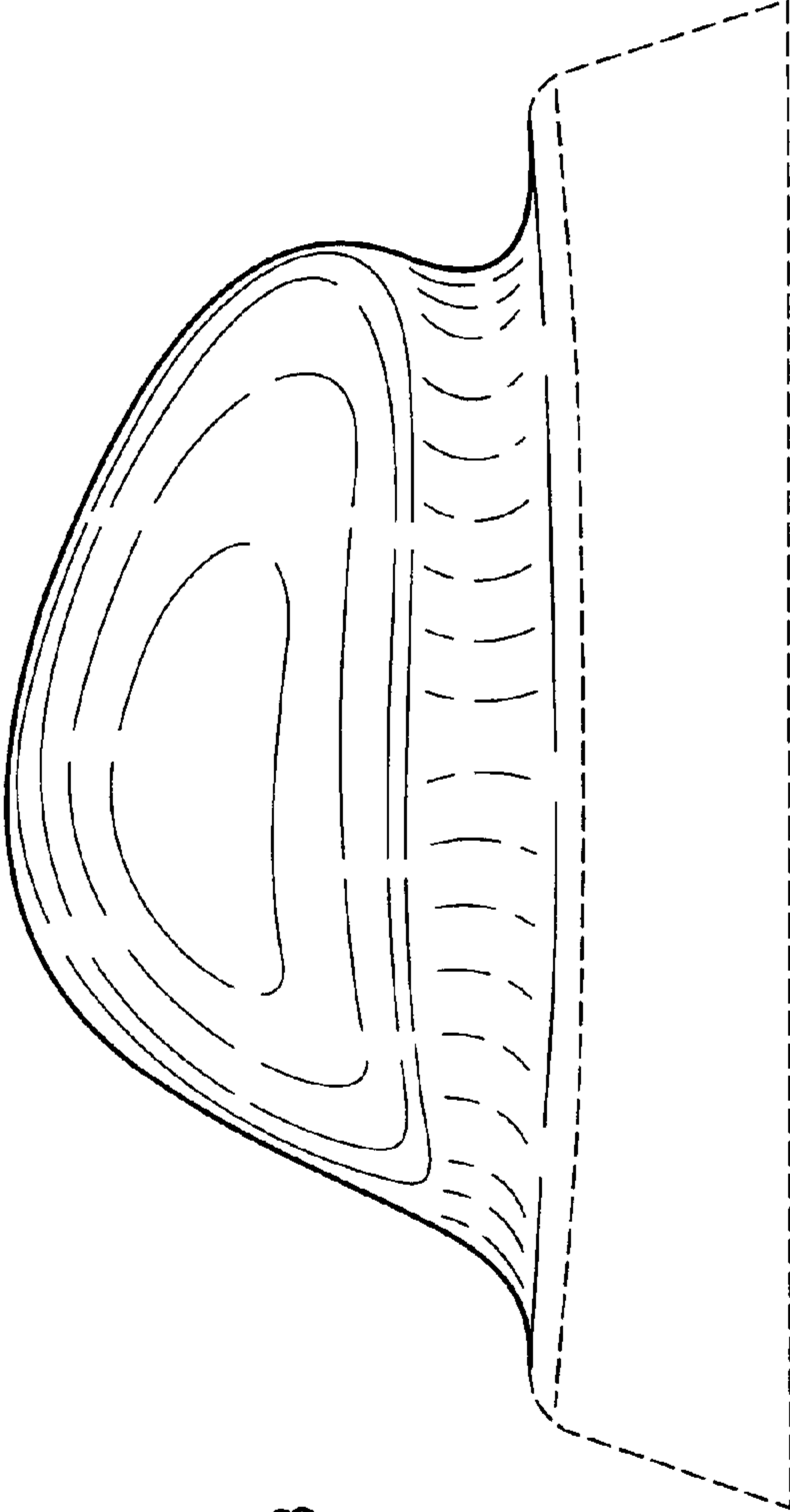


Fig. 3

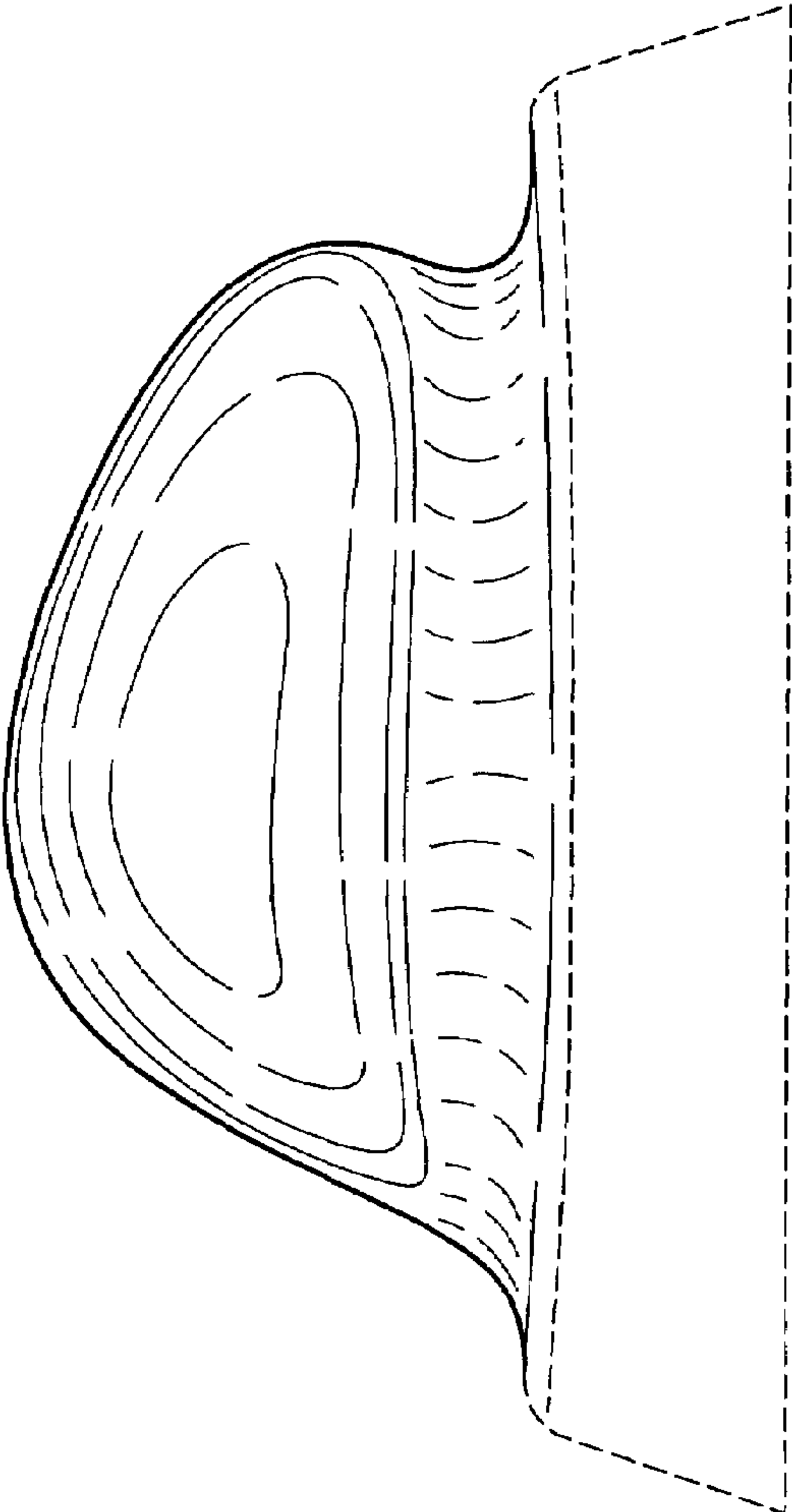


Fig. 4

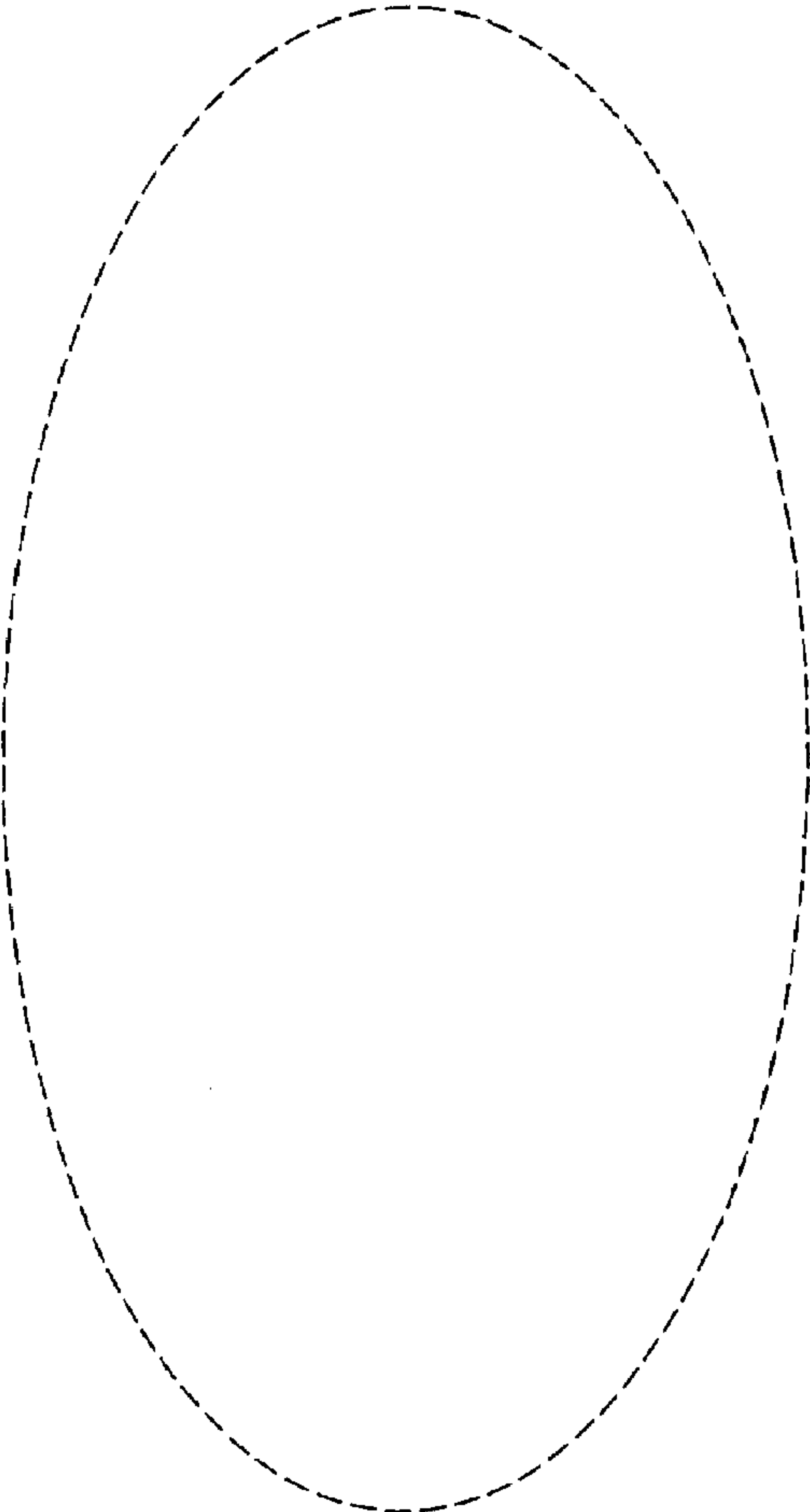


Fig. 5

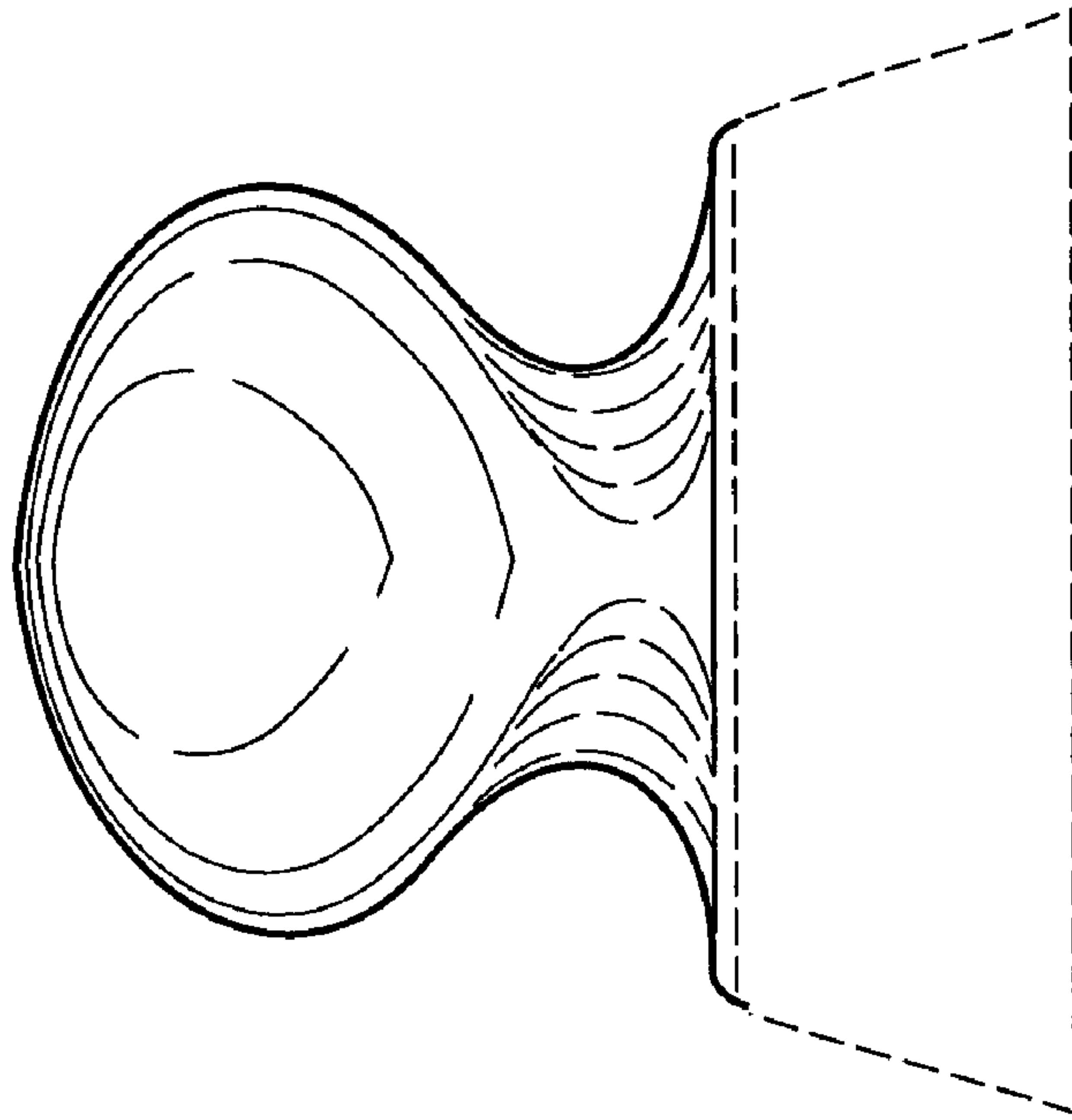


Fig. 7

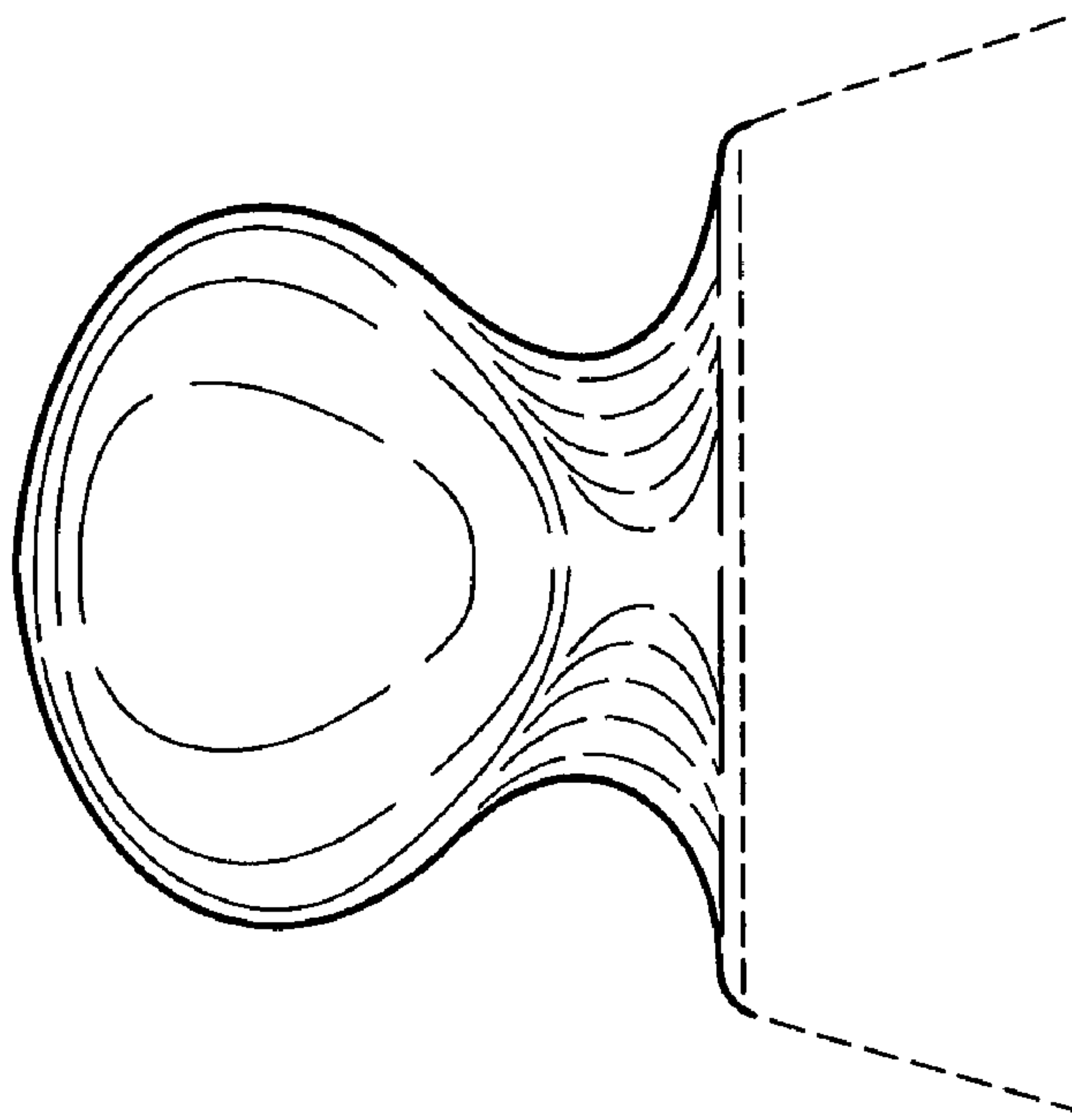


Fig. 6