



US00D594304S

(12) **United States Design Patent**
Aglassinger

(10) **Patent No.:** **US D594,304 S**

(45) **Date of Patent:** **** Jun. 16, 2009**

(54) **HAMMER DRILL**

(75) Inventor: **Hans-Peter Aglassinger**, Esslingen (DE)

(73) Assignee: **Robert Bosch GmbH**, Stuttgart (DE)

(**) Term: **14 Years**

(21) Appl. No.: **29/331,394**

(22) Filed: **Jan. 26, 2009**

(30) **Foreign Application Priority Data**

Sep. 22, 2008 (EM) 001007041

(51) **LOC (9) Cl.** **08-01**

(52) **U.S. Cl.** **D8/67; D8/69**

(58) **Field of Classification Search** D8/14.1,
D8/61-70; 81/429, 454-456, 469, 489; 173/104,
173/114, 168-171, 178, 201, 211, 213, 217;
408/21, 124, 125, 234; 388/809

See application file for complete search history.

(56) **References Cited**

U.S. PATENT DOCUMENTS

D310,936 S *	10/1990	Saito et al.	D8/67
D320,918 S *	10/1991	Mochida	D8/68
D447,032 S *	8/2001	Schoen et al.	D8/67
6,776,245 B2 *	8/2004	Kristen et al.	173/217
D502,377 S *	3/2005	Aglassinger	D8/69
D508,388 S *	8/2005	Aglassinger	D8/69
D515,382 S *	2/2006	Andriolo	D8/69
D515,383 S *	2/2006	Aglassinger	D8/69
7,000,709 B2 *	2/2006	Milbourne	173/170
D521,337 S *	5/2006	Cheung et al.	D8/68
7,096,972 B2 *	8/2006	Orozco, Jr.	173/171
D534,407 S *	1/2007	Waldron	D8/69
D540,643 S *	4/2007	Waldron	D8/69
D587,547 S *	3/2009	Aglassinger	D8/69

2001/0040036 A1 *	11/2001	Habedank et al.	173/217
2003/0094294 A1 *	5/2003	Fritz	173/171
2006/0060365 A1 *	3/2006	Kunz	173/48
2008/0245542 A1 *	10/2008	Furusawa et al.	173/201

* cited by examiner

Primary Examiner—Cathron C Brooks

Assistant Examiner—Austin Murphy

(74) *Attorney, Agent, or Firm*—Victor A. Henzi

(57) **CLAIM**

The ornamental design for the hammer drill, as shown and described.

DESCRIPTION

FIG. 1 is a top left rear perspective view of a first embodiment of the hammer drill;

FIG. 2 is a left elevational view thereof;

FIG. 3 is a bottom plan view thereof;

FIG. 4 is a right elevational view thereof;

FIG. 5 is a top plan view thereof;

FIG. 6 is a front elevational view thereof; and

FIG. 7 is a rear elevational view thereof.

FIG. 8 is a top left rear perspective view of a second embodiment of the hammer drill;

FIG. 9 is a left elevational view thereof;

FIG. 10 is a bottom plan view thereof;

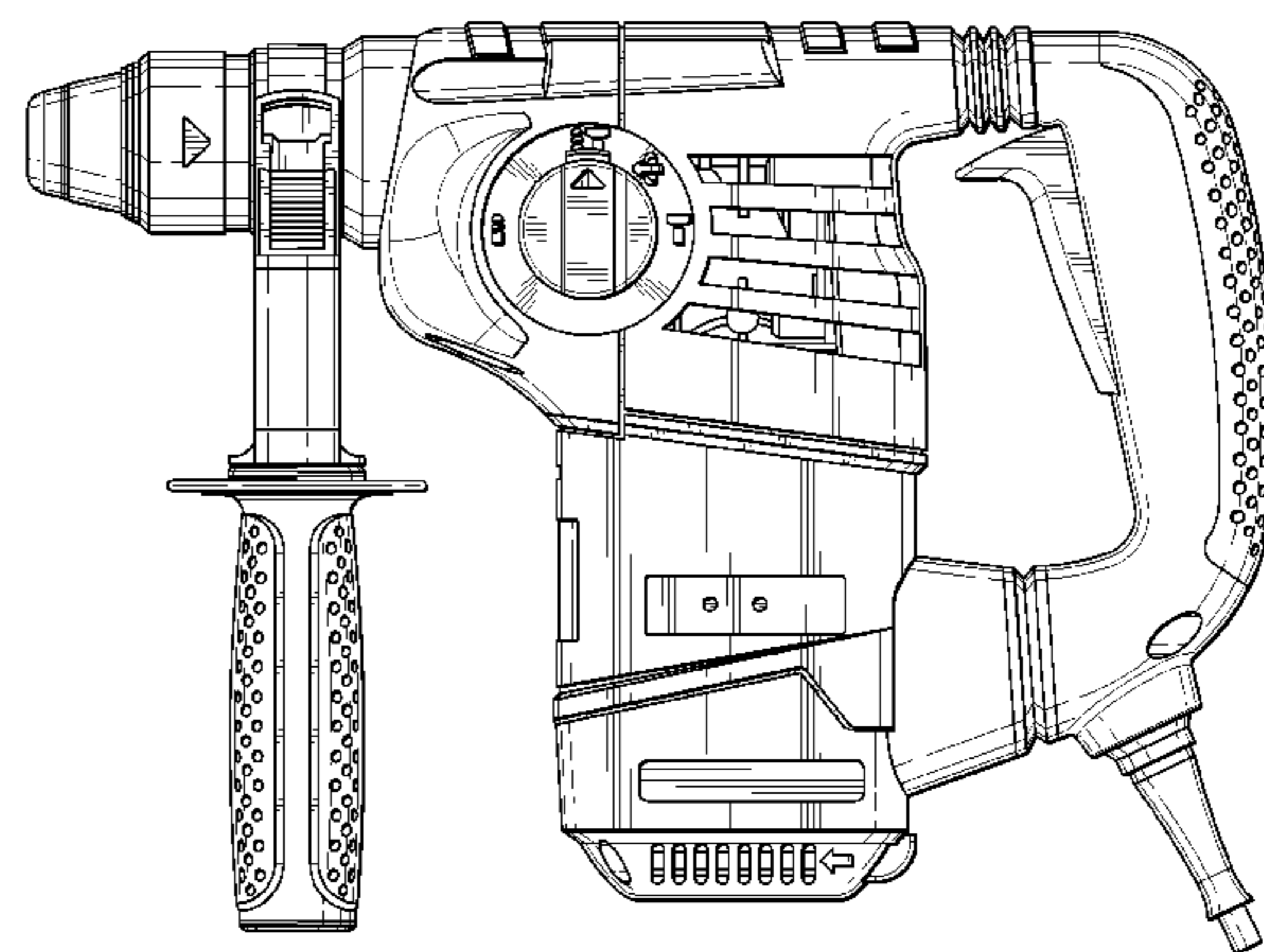
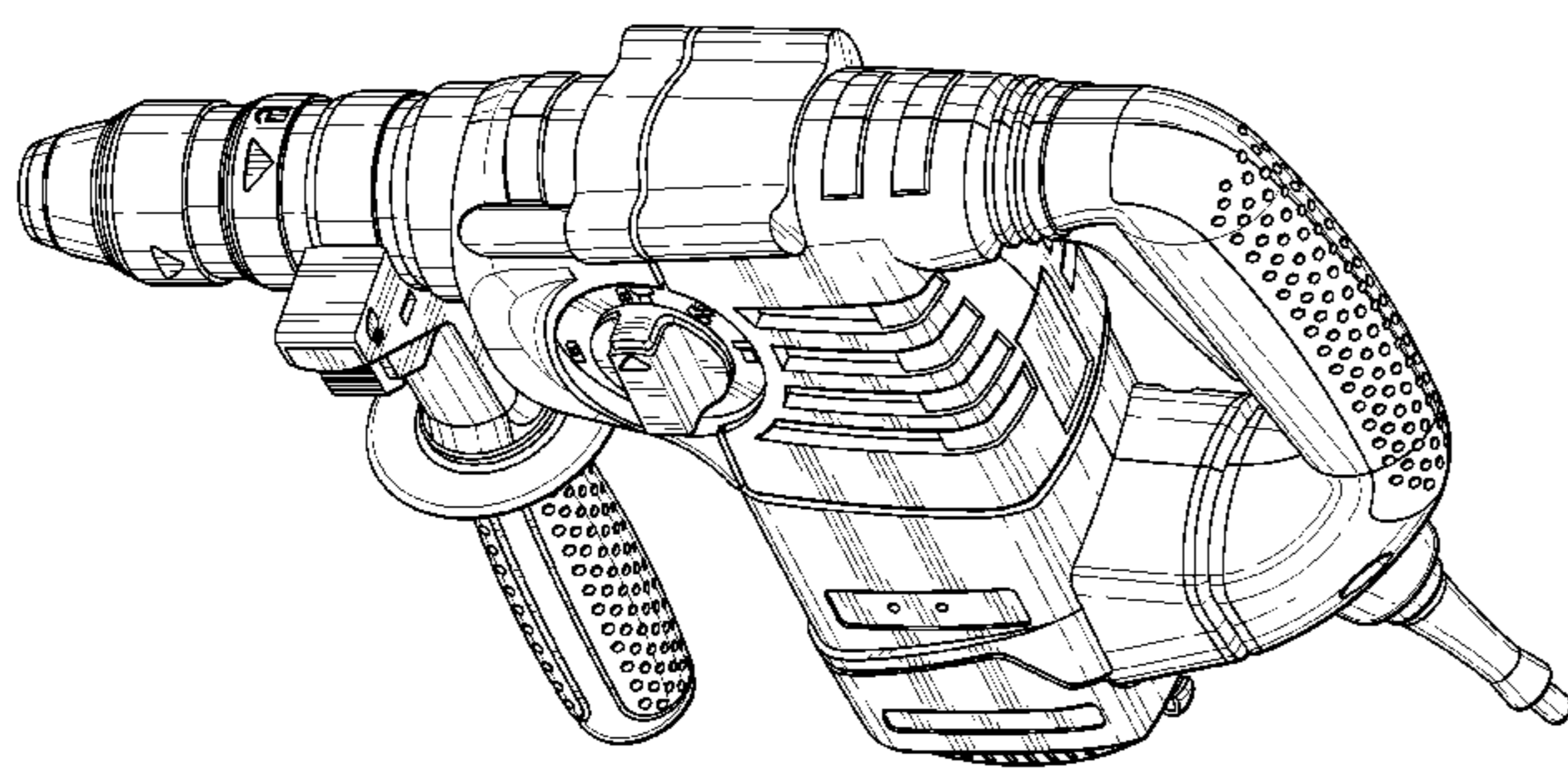
FIG. 11 is a right elevational view thereof;

FIG. 12 is a top plan view thereof;

FIG. 13 is a front elevational view thereof; and,

FIG. 14 is a rear elevational view thereof.

1 Claim, 12 Drawing Sheets



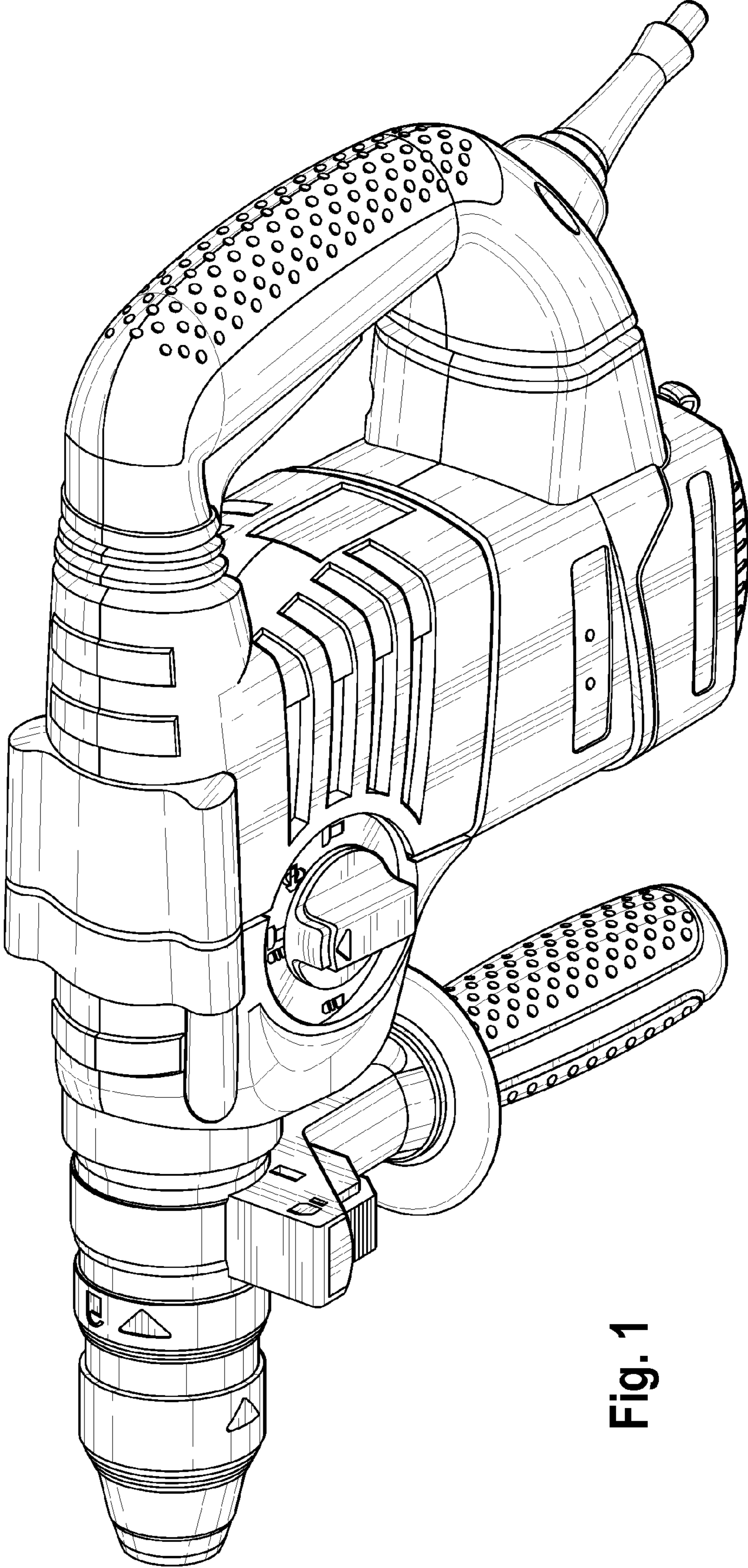


Fig. 1

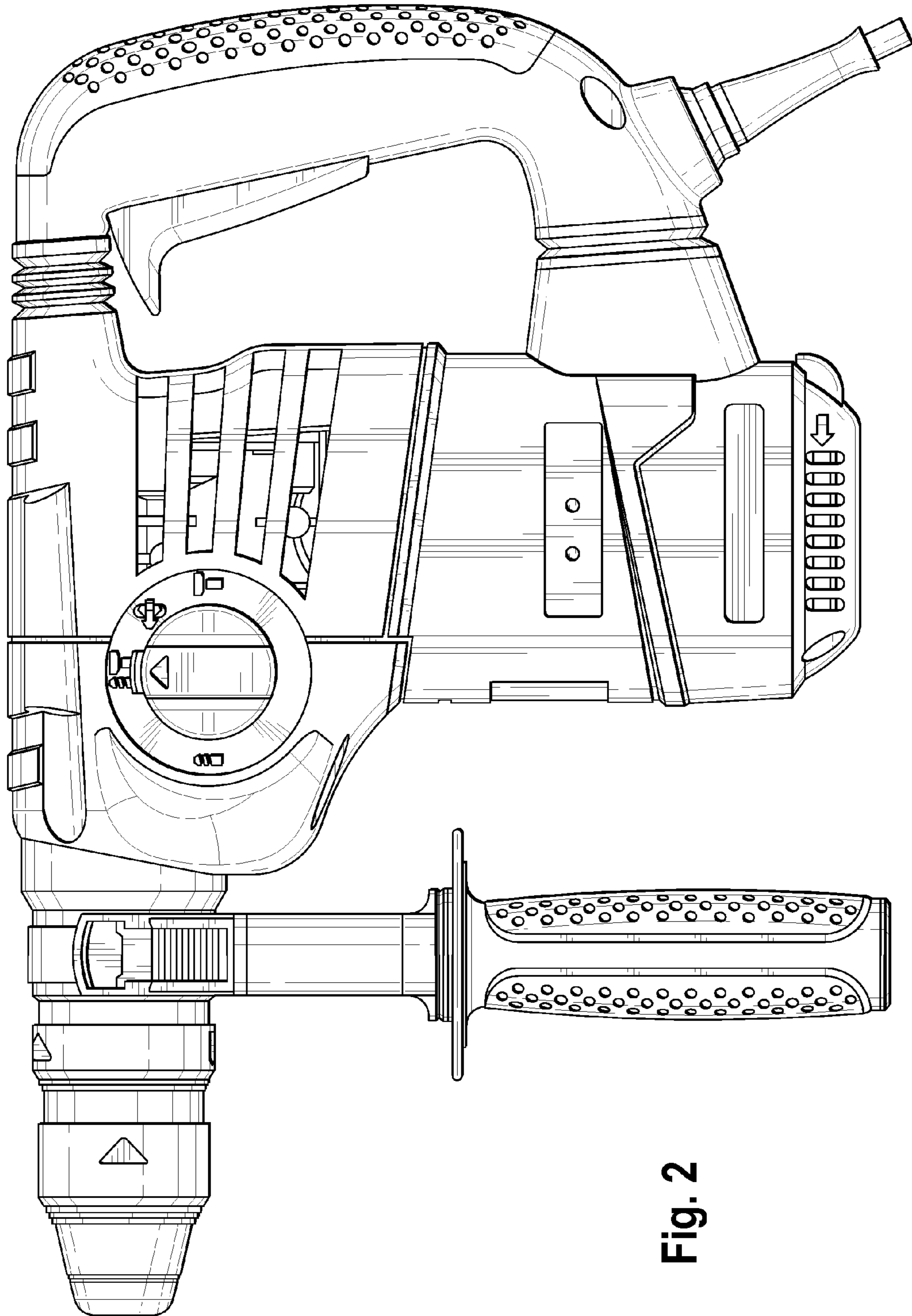


Fig. 2

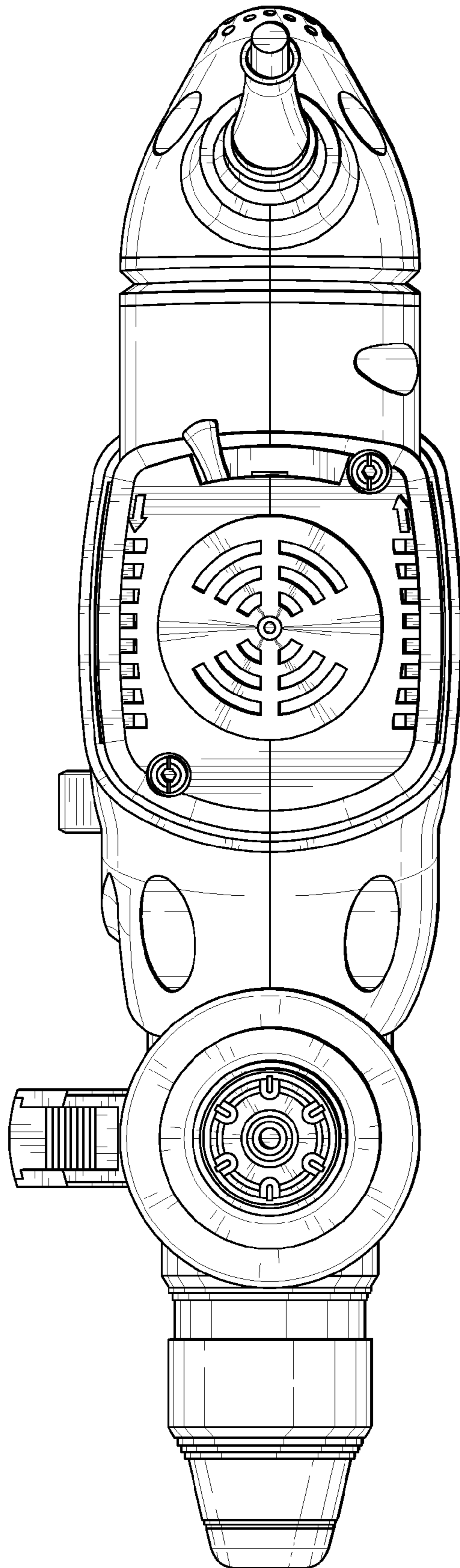


Fig. 3

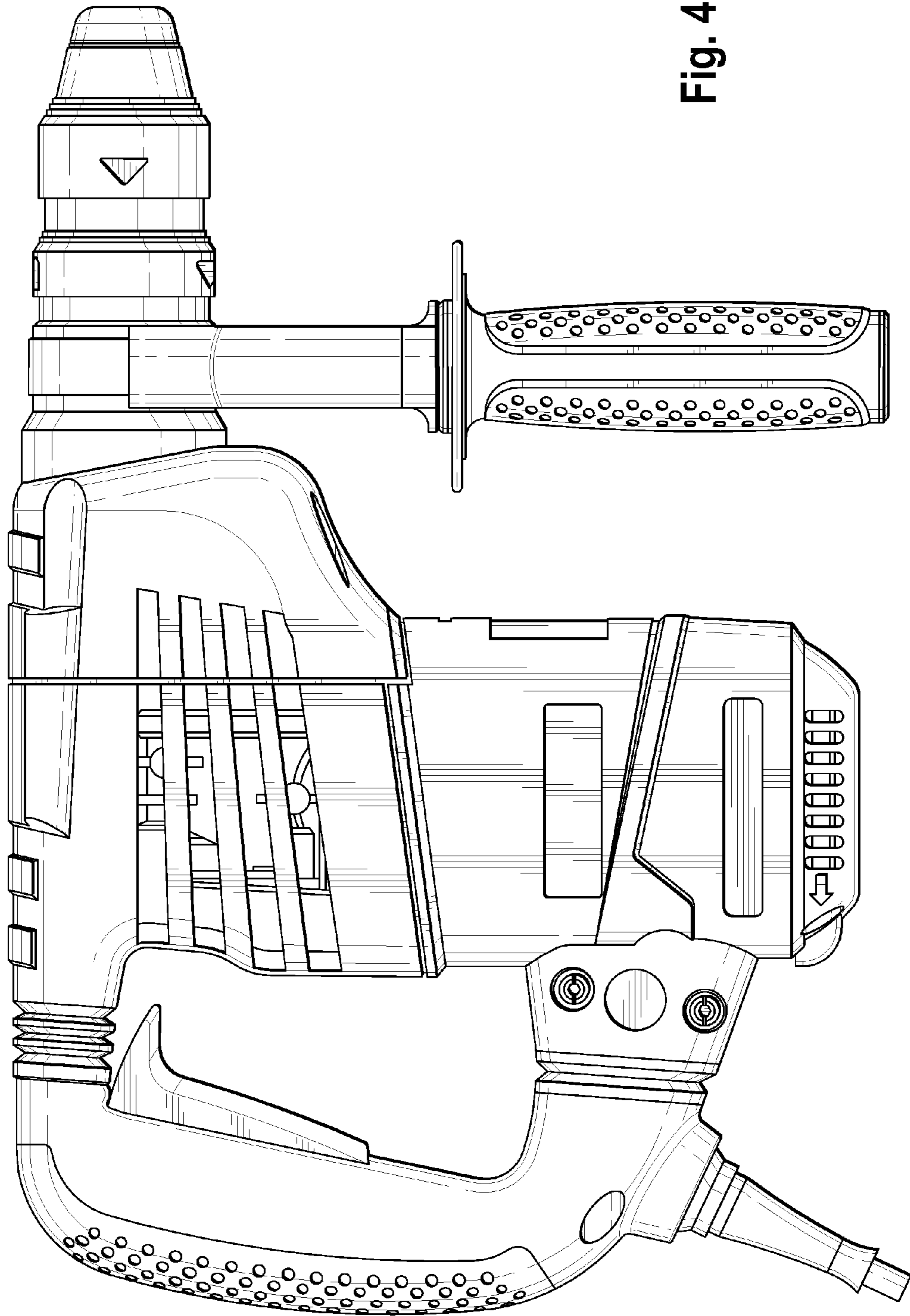


Fig. 4

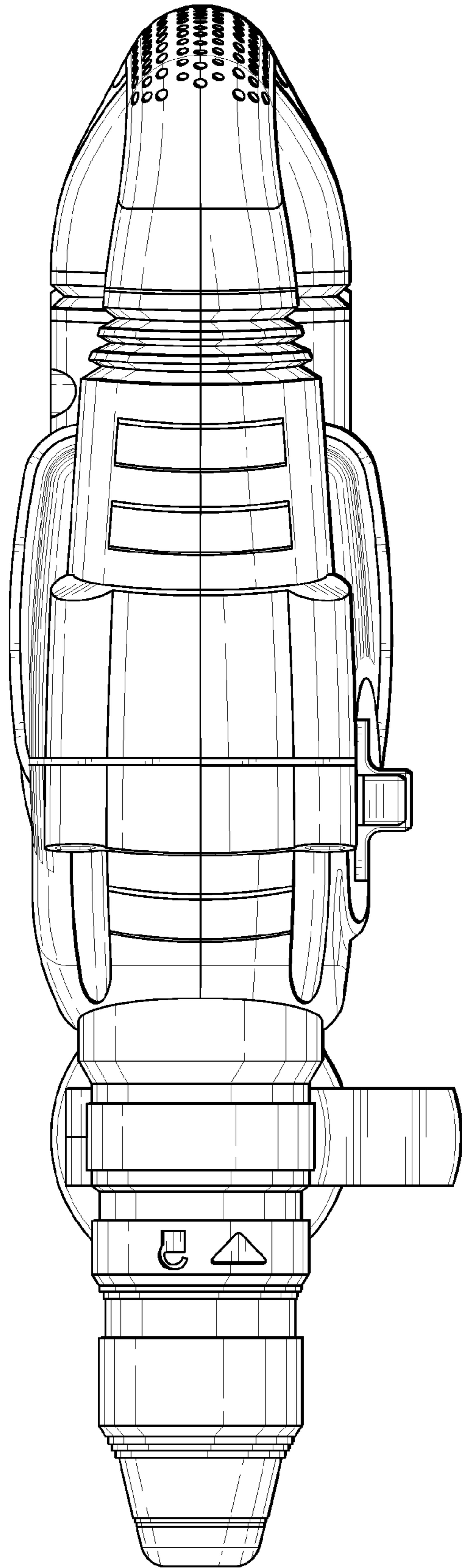


Fig. 5

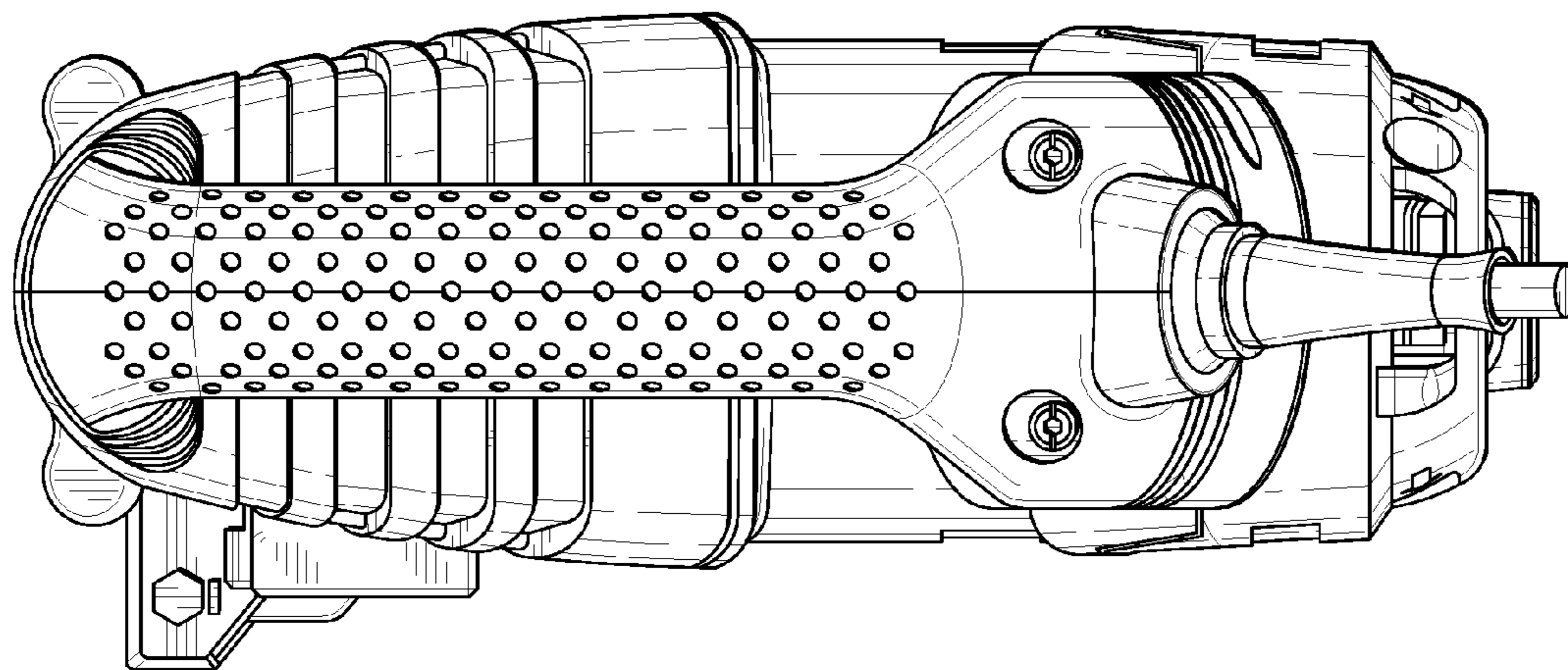


Fig. 7

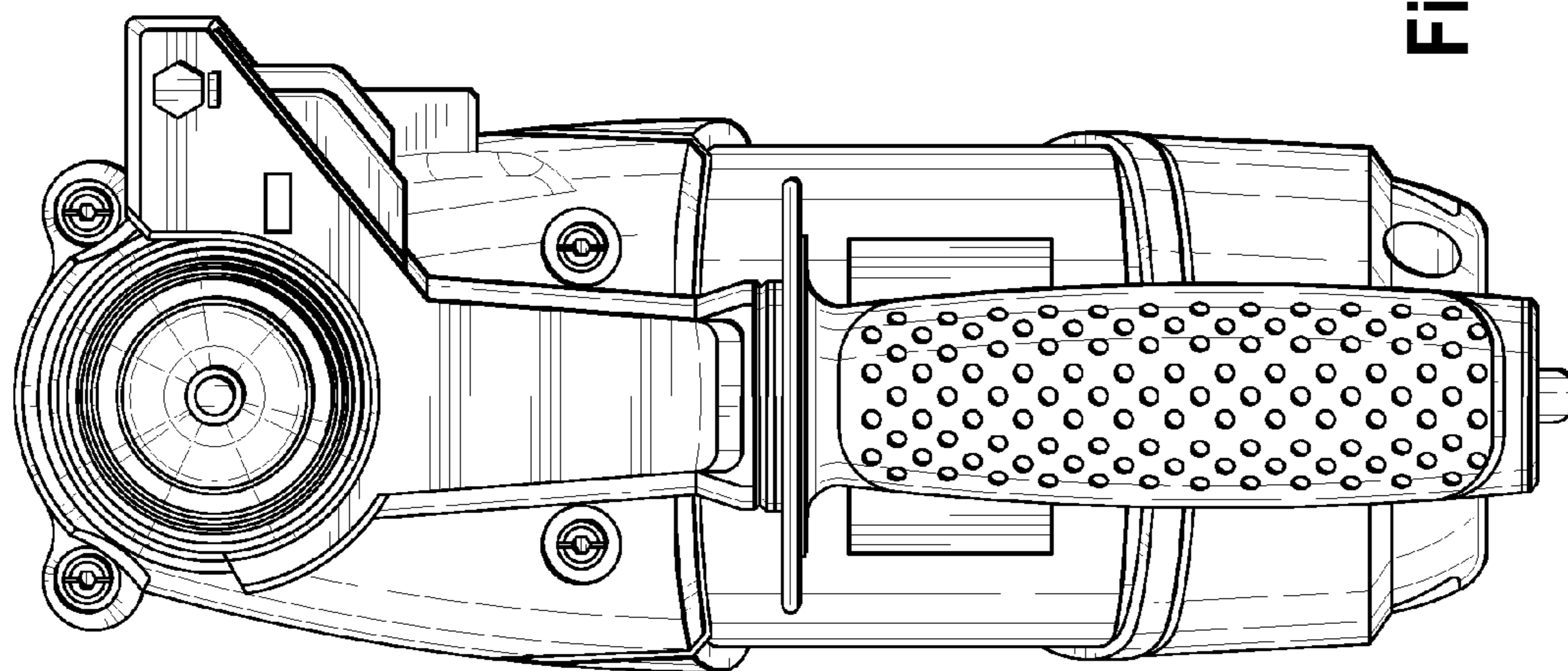


Fig. 6

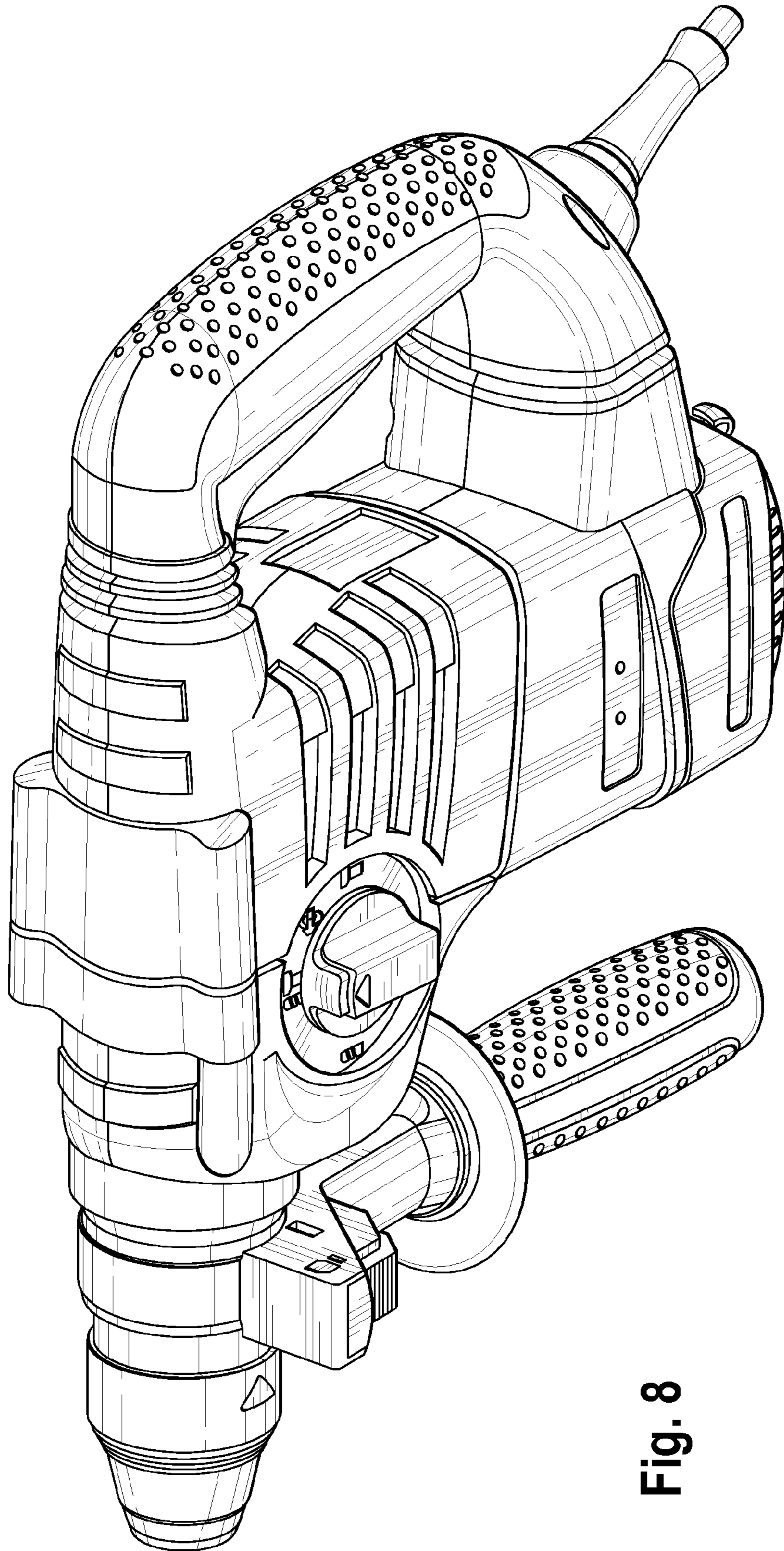


Fig. 8

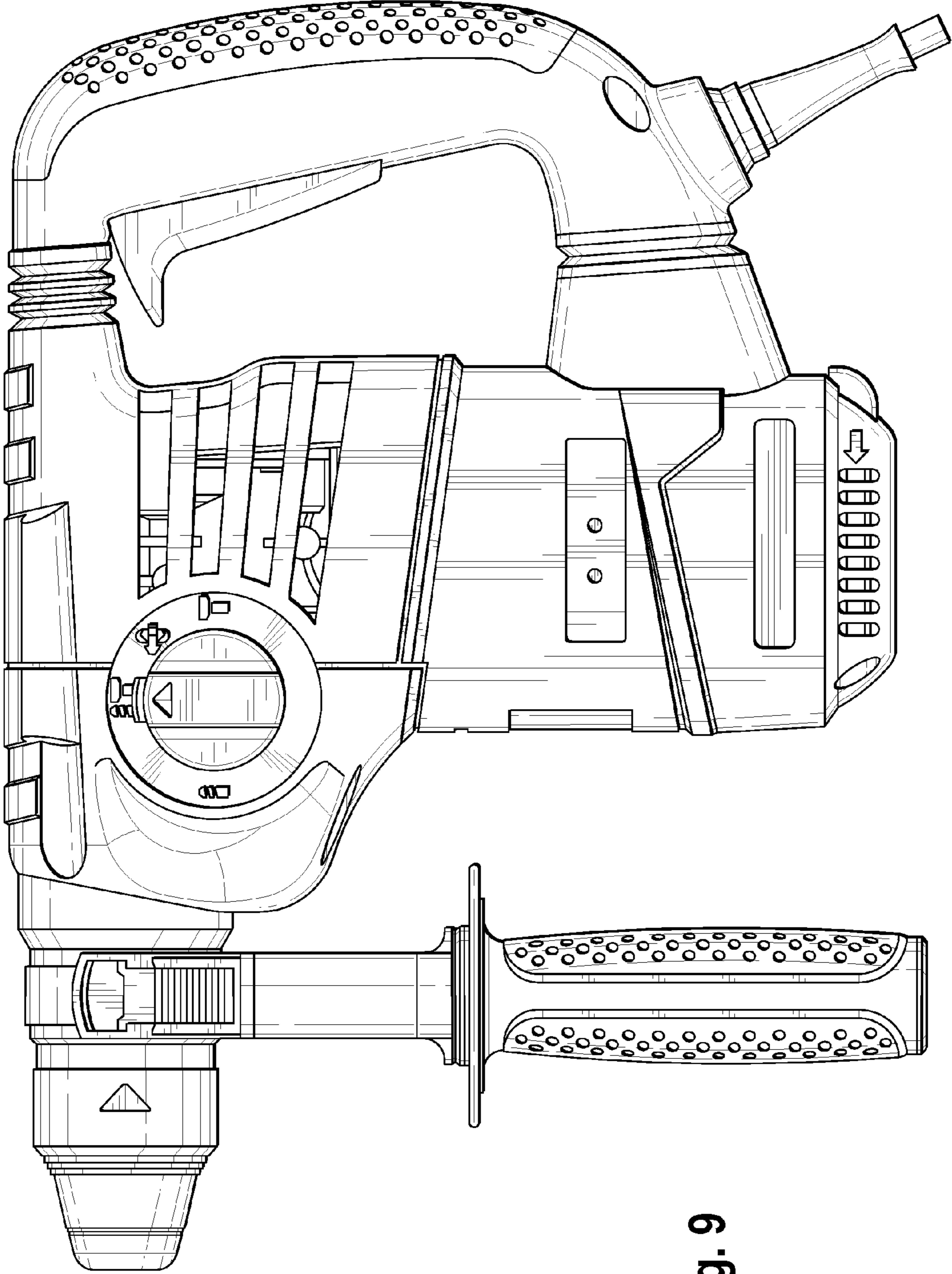


Fig. 9

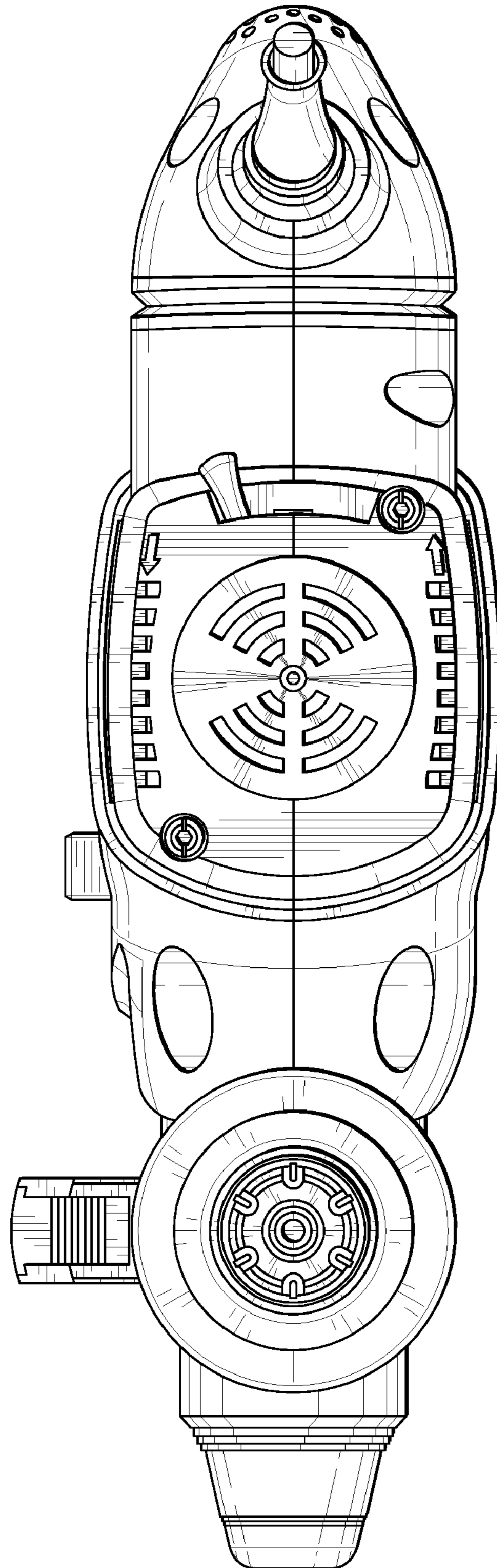
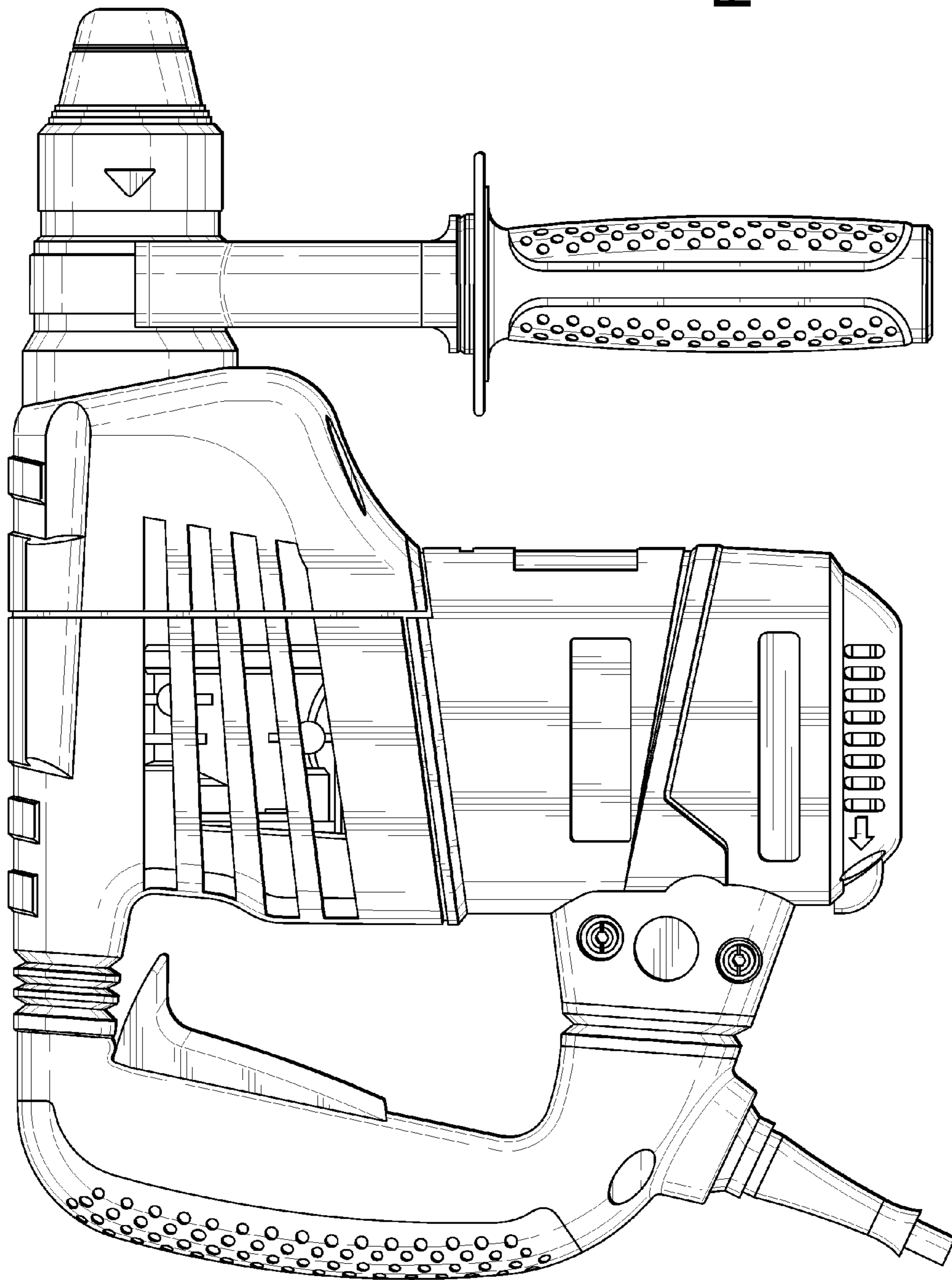


Fig. 10

Fig. 11



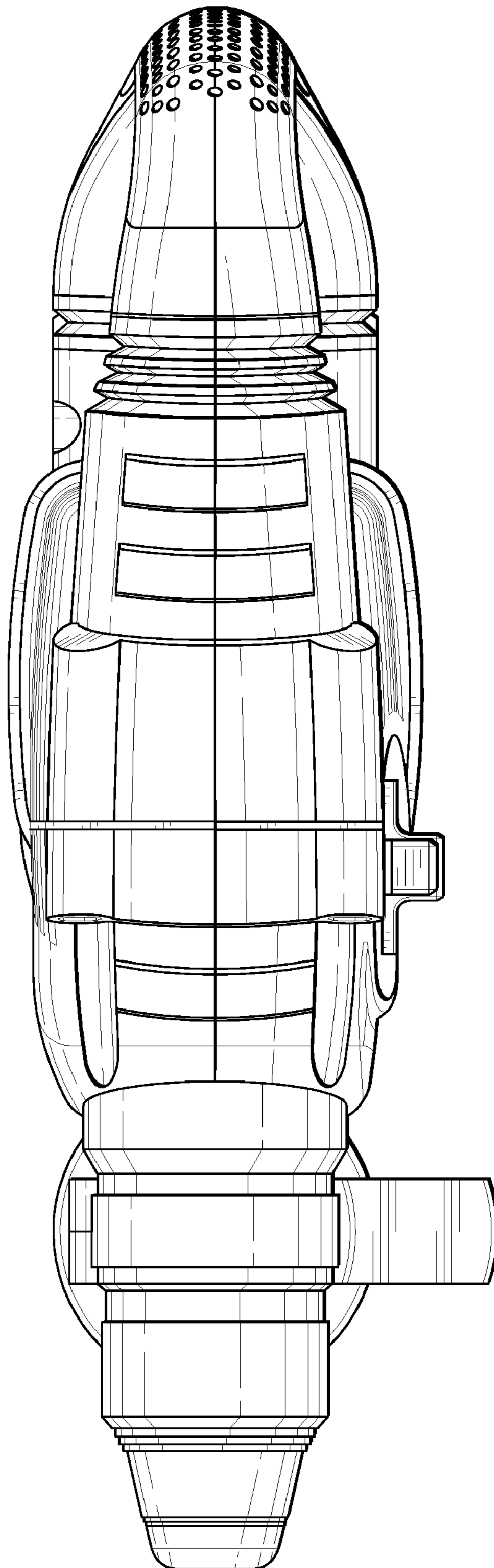


Fig. 12

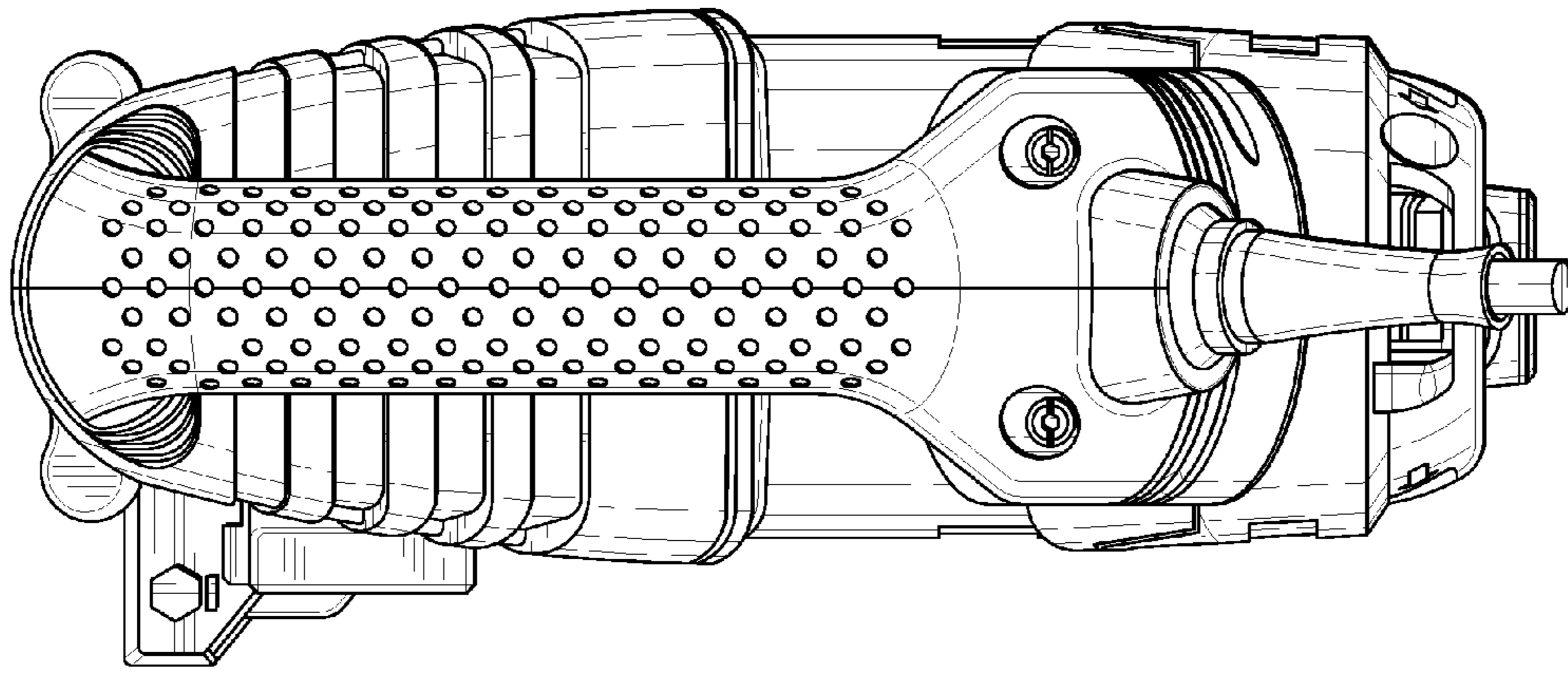


Fig. 14

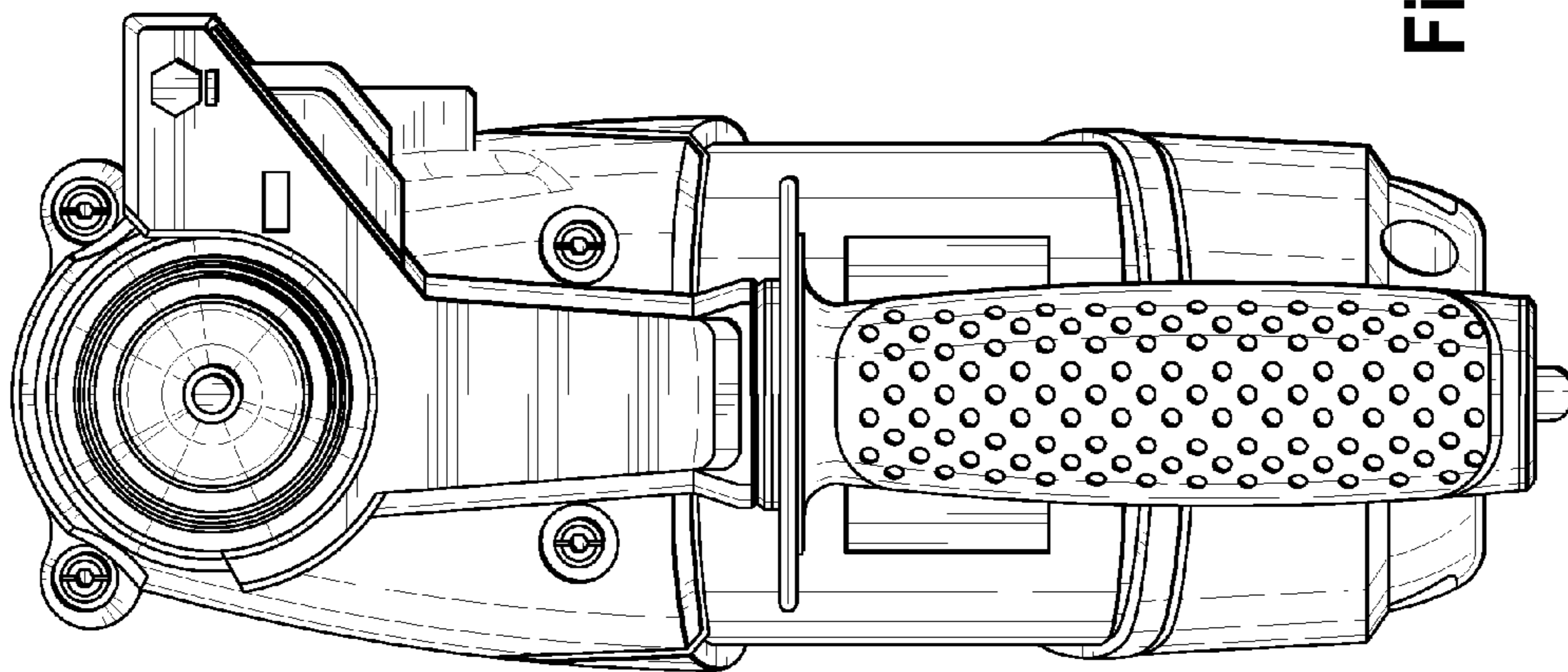


Fig. 13