



US00D594303S

(12) **United States Design Patent**
Mah et al.

(10) **Patent No.:** **US D594,303 S**
(45) **Date of Patent:** **** Jun. 16, 2009**

(54) **JAR OPENER**

(75) Inventors: **Pat Y. Mah**, Kowloon (HK); **Mark Andrew Sanders**, Windsor (GB)

(73) Assignee: **Daka Research Inc.**, Tortolla (VG)

(**) Term: **14 Years**

(21) Appl. No.: **29/285,239**

(22) Filed: **Mar. 22, 2007**

Related U.S. Application Data

(63) Continuation-in-part of application No. 11/299,986, filed on Dec. 12, 2005, now Pat. No. 7,437,825.

(51) **LOC (9) Cl.** **07-99**

(52) **U.S. Cl.** **D8/41**

(58) **Field of Classification Search** D8/14,
D8/16-19, 33-43, 88, 105; D32/46; 7/113,
7/151-156; 30/400-410, 416-430, 433,
30/434, 443, 450; 80/3.07, 3.09, 3.2, 3.27,
80/3.29, 3.31, 3.33, 3.35, 3.37, 3.4, 3.45,
80/3.47-3.49, 3.55-3.57

See application file for complete search history.

(56) **References Cited**

U.S. PATENT DOCUMENTS

2,810,311 A * 10/1957 Smith 81/3.4
D303,343 S * 9/1989 Nuss D8/36
D404,268 S * 1/1999 Kennedy D8/33
D484,015 S * 12/2003 Johnson D8/33

D519,343 S * 4/2006 Mazzei D8/40
D553,458 S * 10/2007 Hood D8/40
D555,998 S * 11/2007 Mah et al. D8/41
D561,546 S * 2/2008 Wong et al. D8/36
D562,094 S * 2/2008 Wong et al. D8/36
D563,743 S * 3/2008 Wan et al. D8/40
2004/0250656 A1 * 12/2004 Tremblay 81/3.2
2006/0032336 A1 * 2/2006 Wu et al. 81/3.2

* cited by examiner

Primary Examiner—Caron Veynar

Assistant Examiner—Garth Rademaker

(74) *Attorney, Agent, or Firm*—Curtis L. Harrington; Kathy E. Harrington; Harrington & Harrington

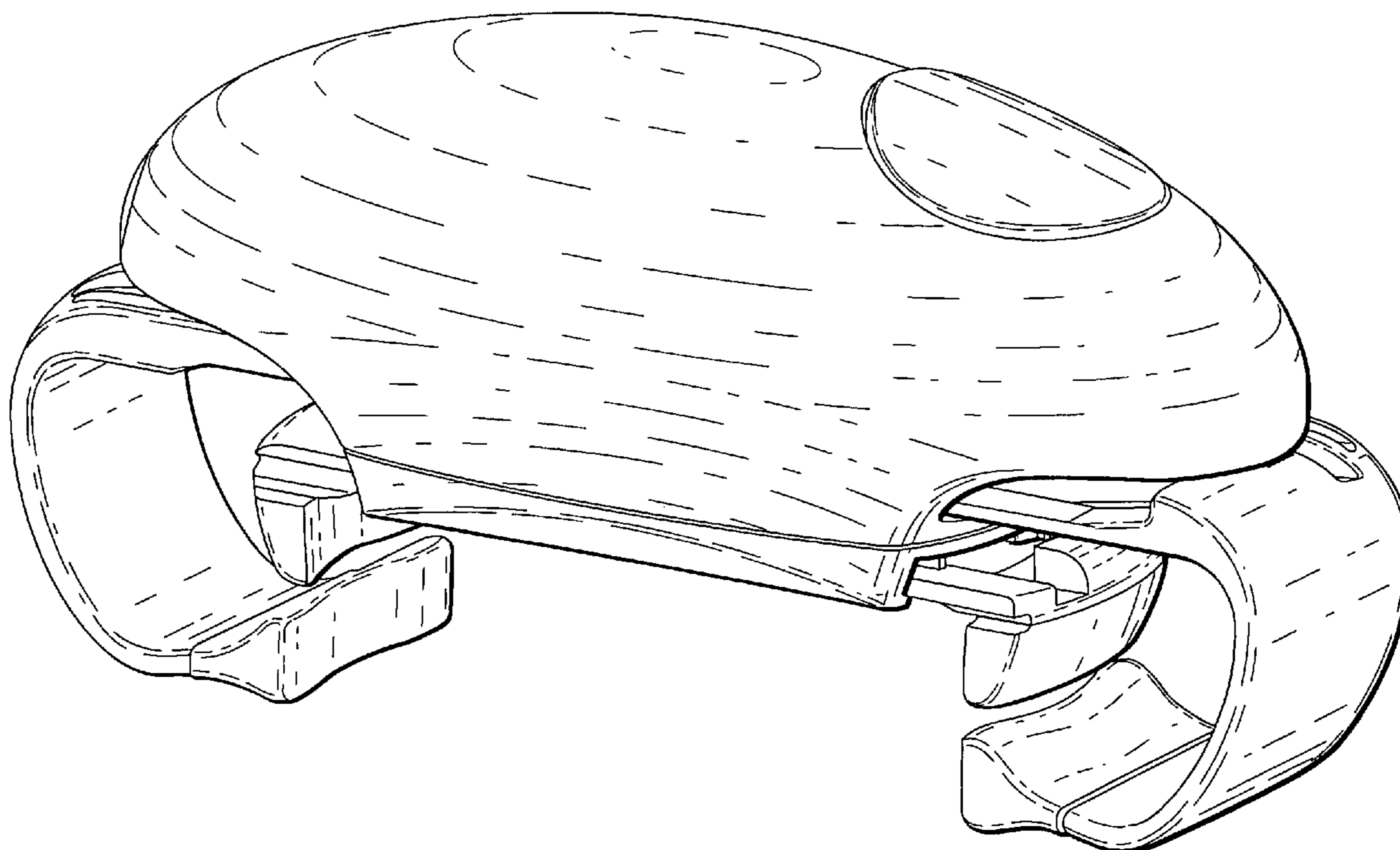
(57) **CLAIM**

The ornamental design for a jar opener, as shown and described.

DESCRIPTION

FIG. 1 is a front perspective view of a jar opener;
FIG. 2 is a front elevation view thereof;
FIG. 3 is a rear elevation view thereof;
FIG. 4 is a right side elevation view thereof;
FIG. 5 is a left side elevation view thereof;
FIG. 6 is a top plan view thereof; and,
FIG. 7 is a bottom plan view thereof, with the broken line portion showing environmental subject matter which forms no part of the claimed design.

1 Claim, 6 Drawing Sheets



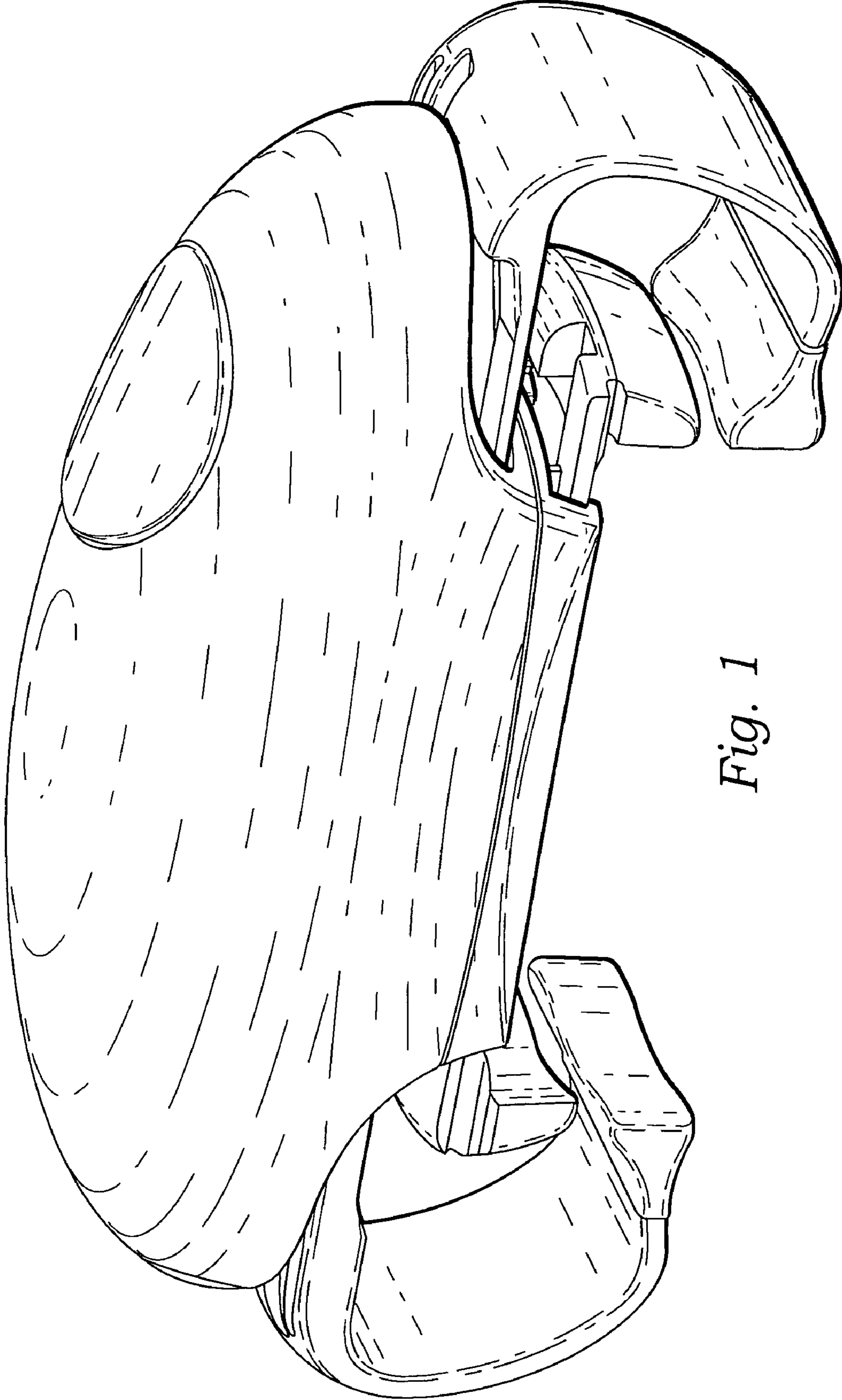


Fig. 1

Fig. 2

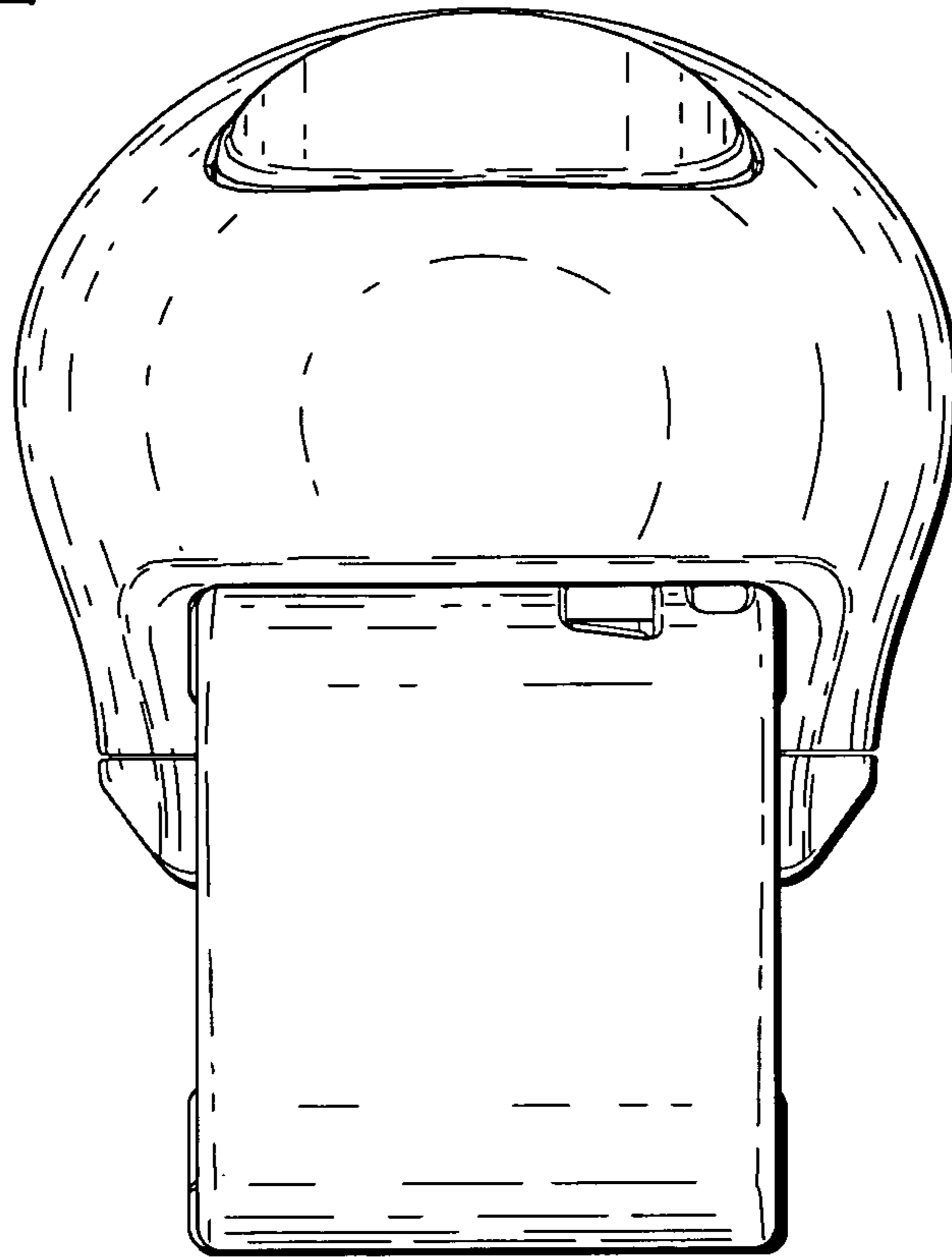
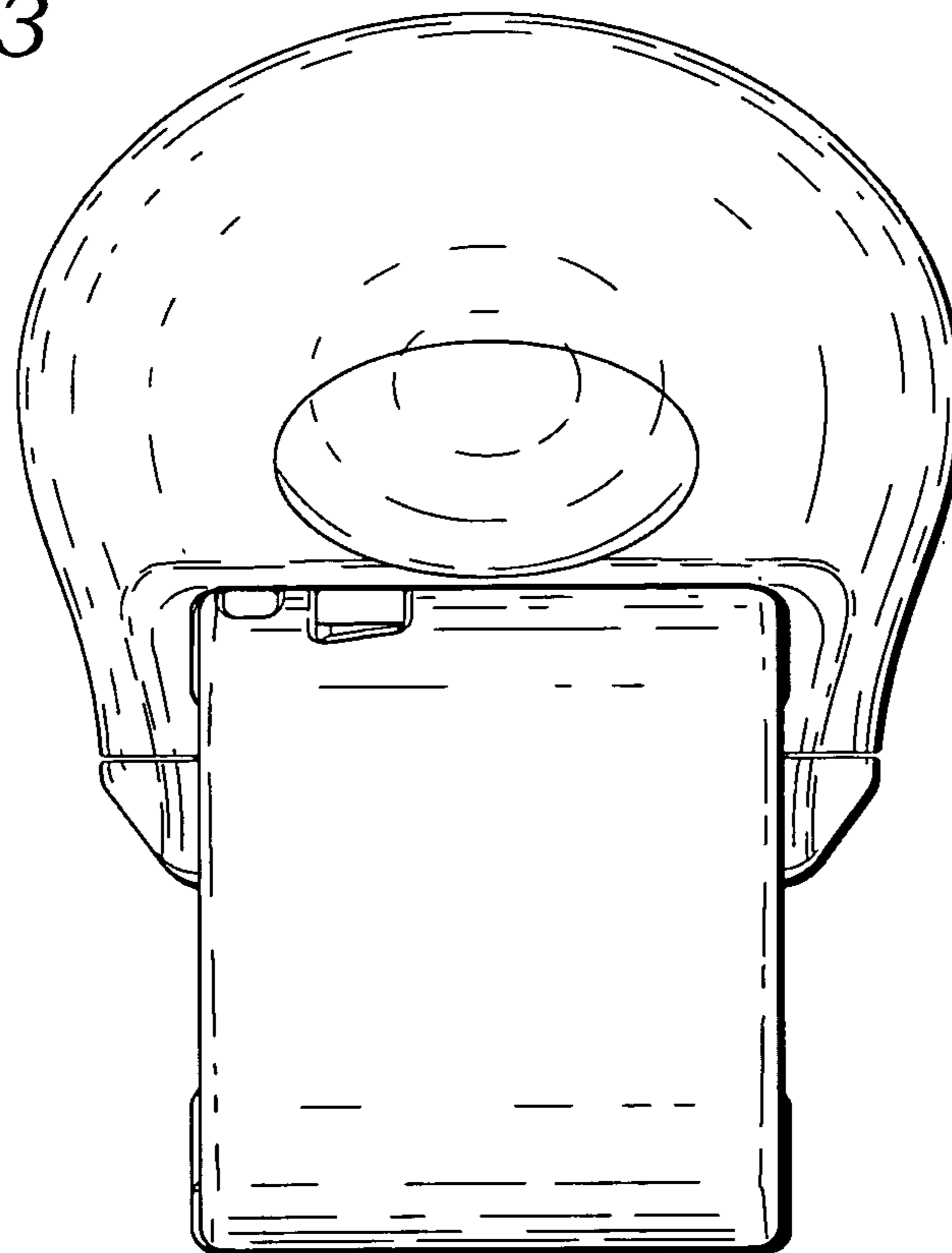


Fig. 3



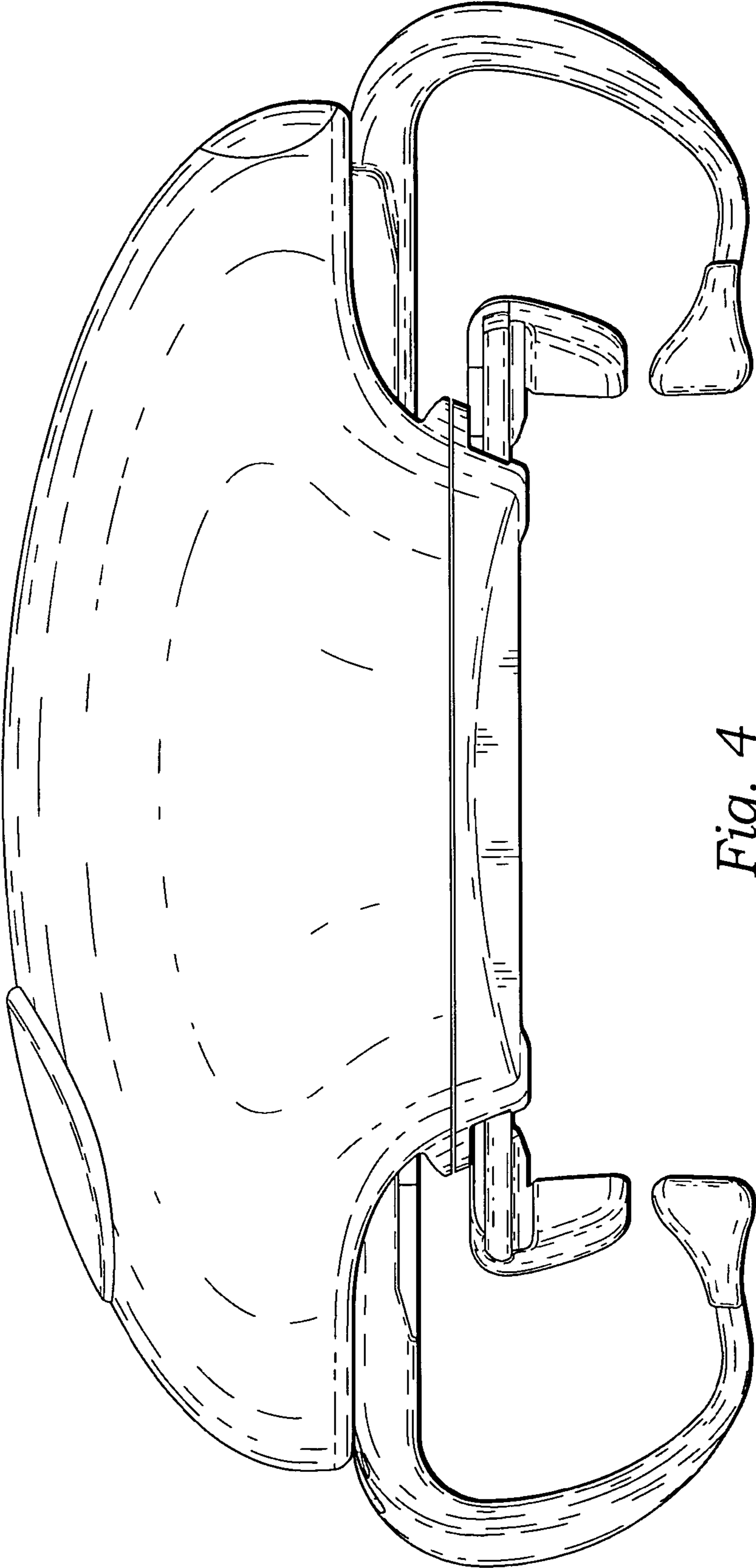


Fig. 4

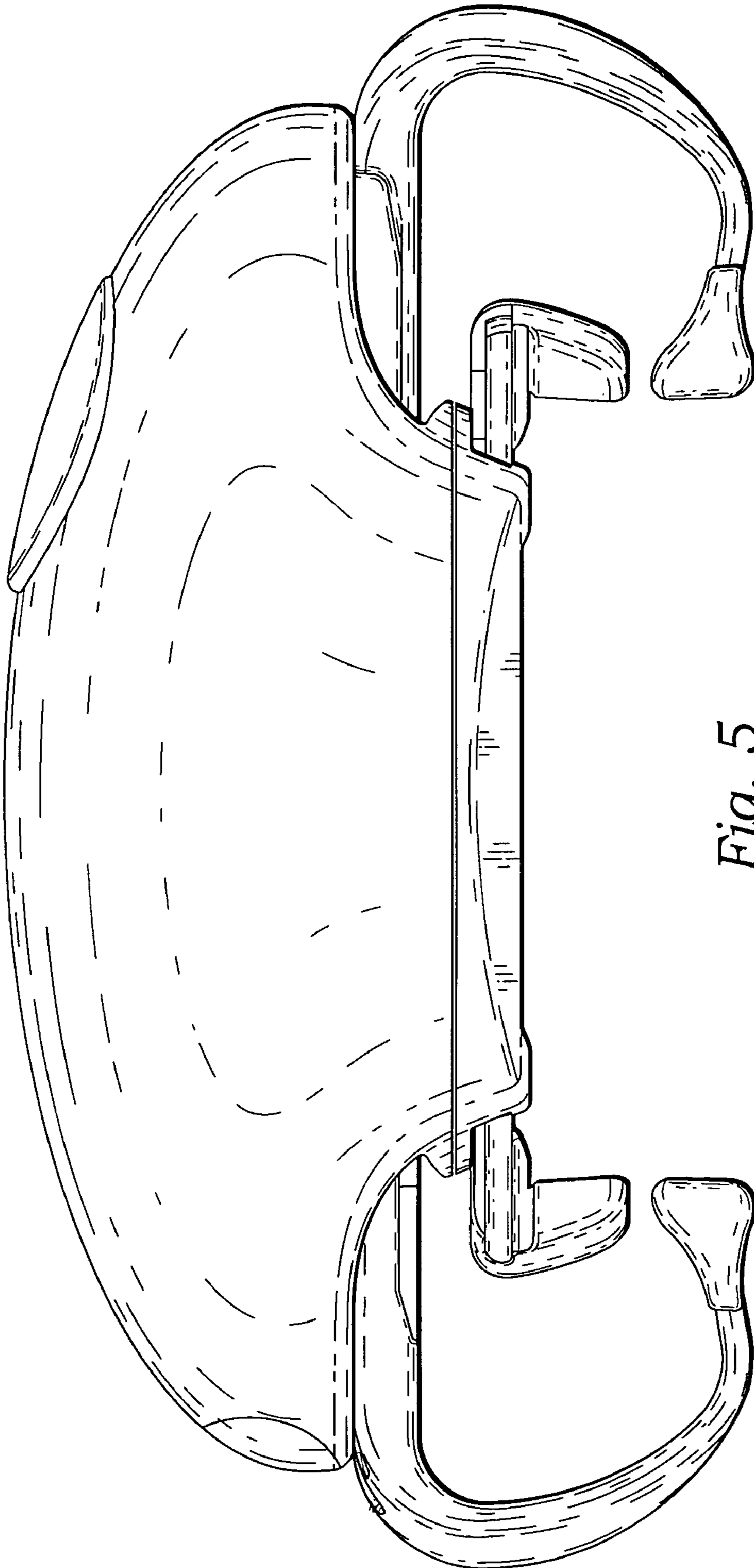


Fig. 5

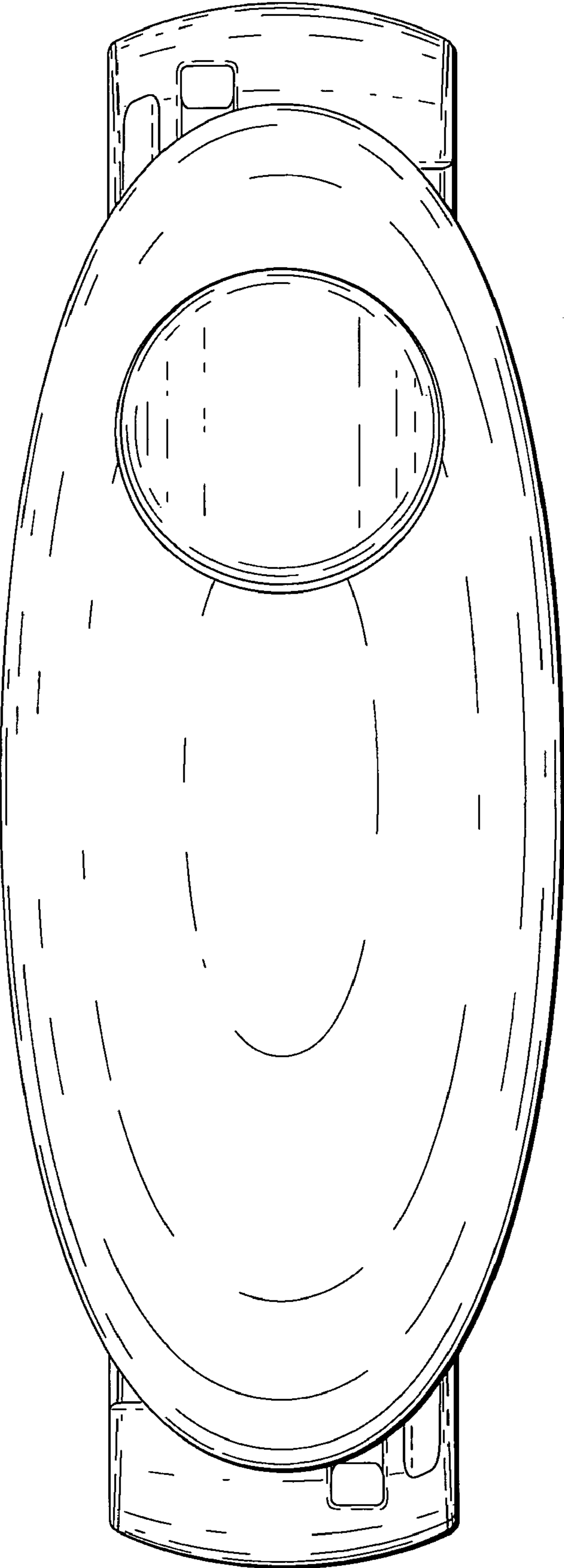


Fig. 6

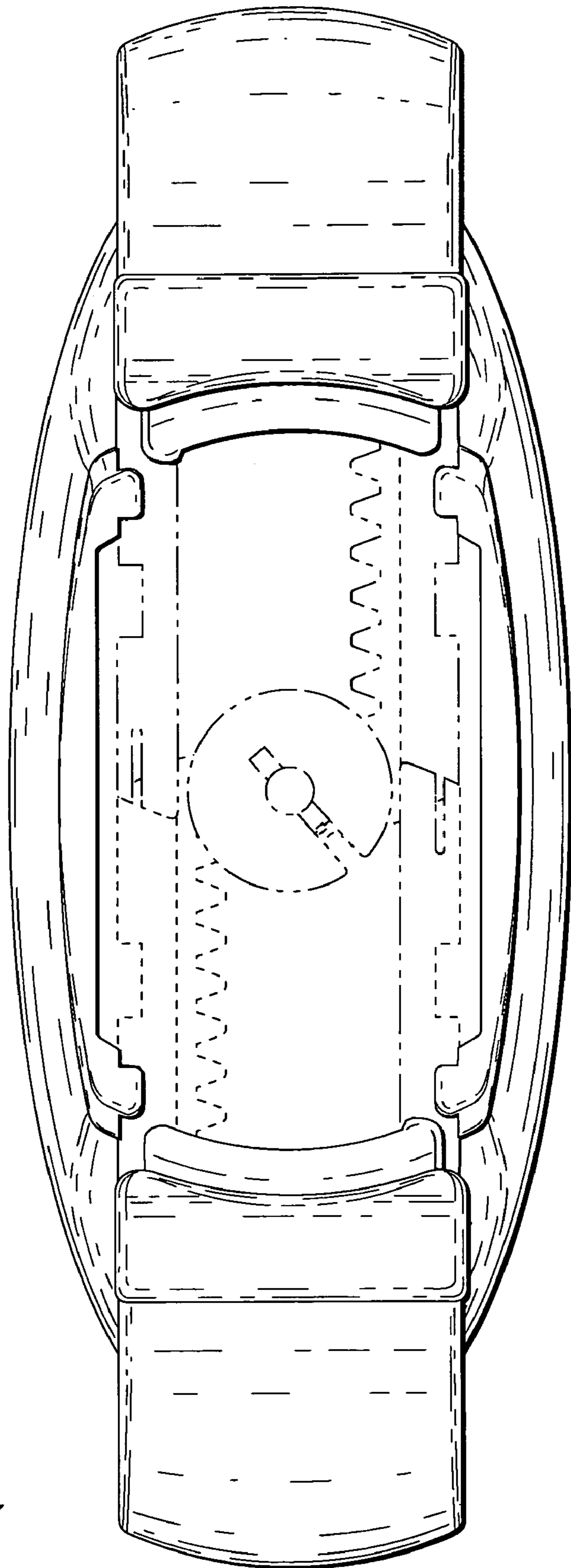


Fig. 7