



US00D594302S

(12) **United States Design Patent**
Mah et al.

(10) **Patent No.:** **US D594,302 S**
(45) **Date of Patent:** **** Jun. 16, 2009**

(54) **CORKSCREW OPENER**

(75) Inventors: **Pat Y. Mah**, Kowloon (HK); **Alexander Joseph Kalogroulis**, Coulsdon (GB)

(73) Assignee: **Daka Research Inc.**, Tortolla (VG)

(**) Term: **14 Years**

(21) Appl. No.: **29/267,342**

(22) Filed: **Oct. 11, 2006**

(51) **LOC (9) Cl.** **07-99**

(52) **U.S. Cl.** **D8/40**

(58) **Field of Classification Search** D8/14,
D8/16-19, 33-43, 88, 105; 7/113, 151-156;
30/400-410, 416-430, 433, 434, 443, 450;
81/3.07, 3.09, 3.2, 3.27, 3.29, 3.31, 3.33,
81/3.35, 3.37, 3.4, 3.45, 3.48, 3.49, 3.55
See application file for complete search history.

(56) **References Cited**

U.S. PATENT DOCUMENTS

D366,198 S *	1/1996	Laib	D8/42
D421,701 S *	3/2000	Hollinger	D8/42
D475,261 S *	6/2003	Lee	D8/36
D491,429 S *	6/2004	Simons	D8/42
D521,828 S *	5/2006	Overthun et al.	D8/42
D558,546 S *	1/2008	Chan et al.	D8/42

* cited by examiner

Primary Examiner—Caron Veynar

Assistant Examiner—Garth Rademaker

(74) *Attorney, Agent, or Firm*—Curtis L. Harrington; Kathy E. Harrington; Harrington & Harrington

(57) **CLAIM**

The ornamental design for a corkscrew opener, as shown and described.

DESCRIPTION

FIG. 1 is a front elevation view of a corkscrew opener showing the invention;

FIG. 2 is a front elevation view thereof, shown in an alternate position of use;

FIG. 3 is a rear elevation view thereof;

FIG. 4 is a right side elevation view thereof;

FIG. 5 is a left side elevation view thereof;

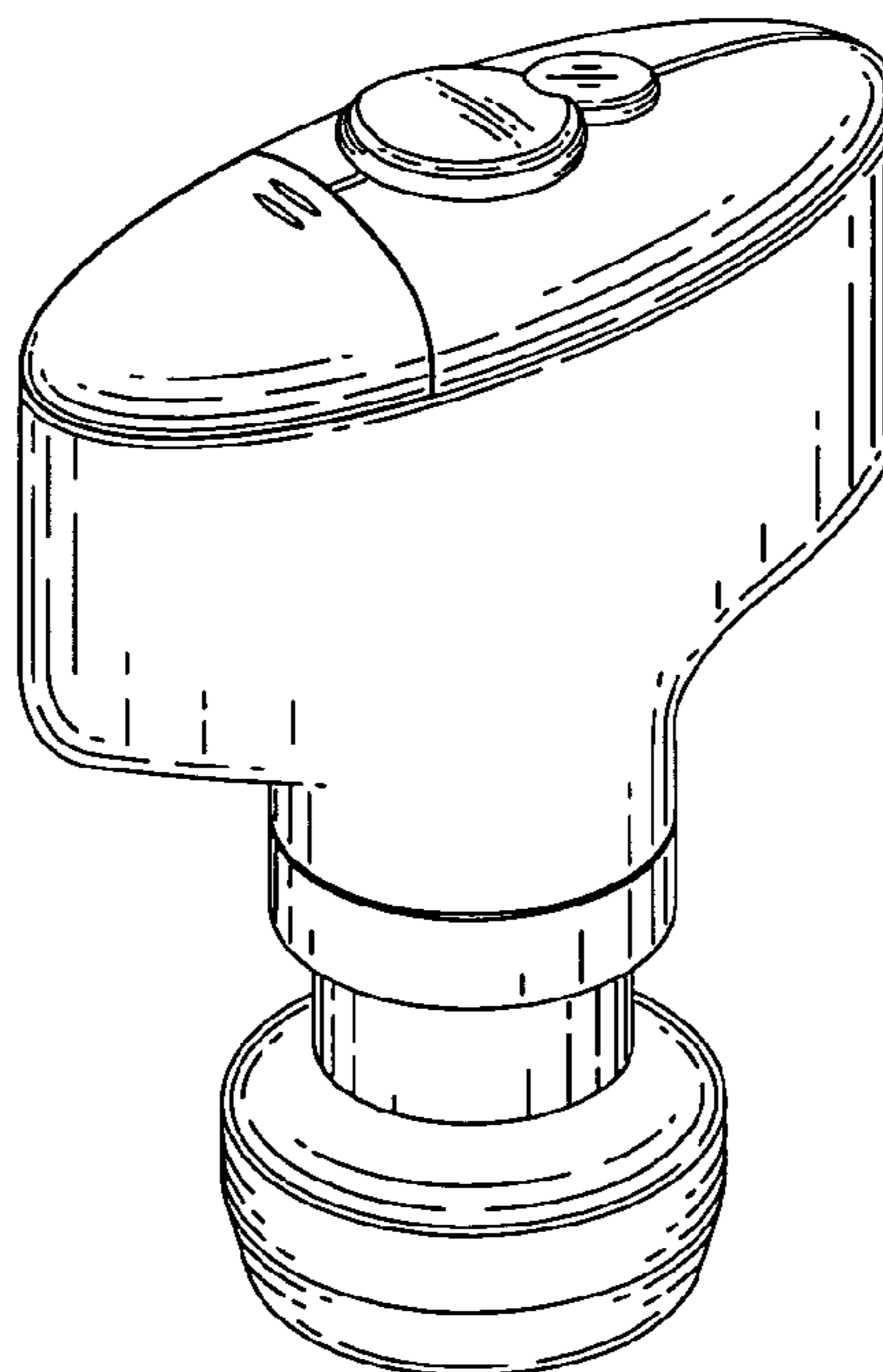
FIG. 6 is a bottom plan view thereof;

FIG. 7 is a top plan view thereof; and,

FIG. 8 is a perspective view thereof.

The broken lines depict environmental subject matter only and form no part of the claimed design.

1 Claim, 2 Drawing Sheets



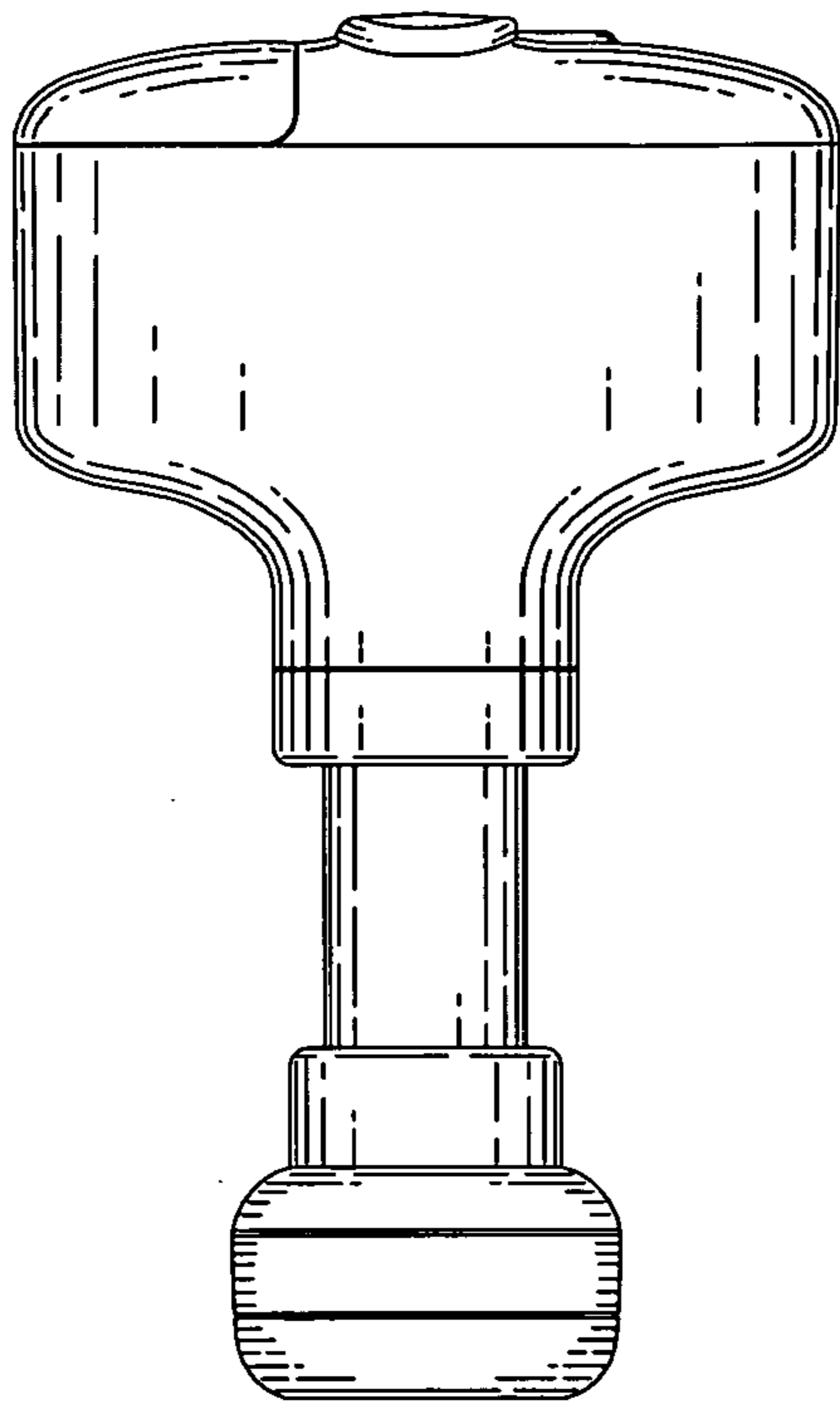


FIG. 1

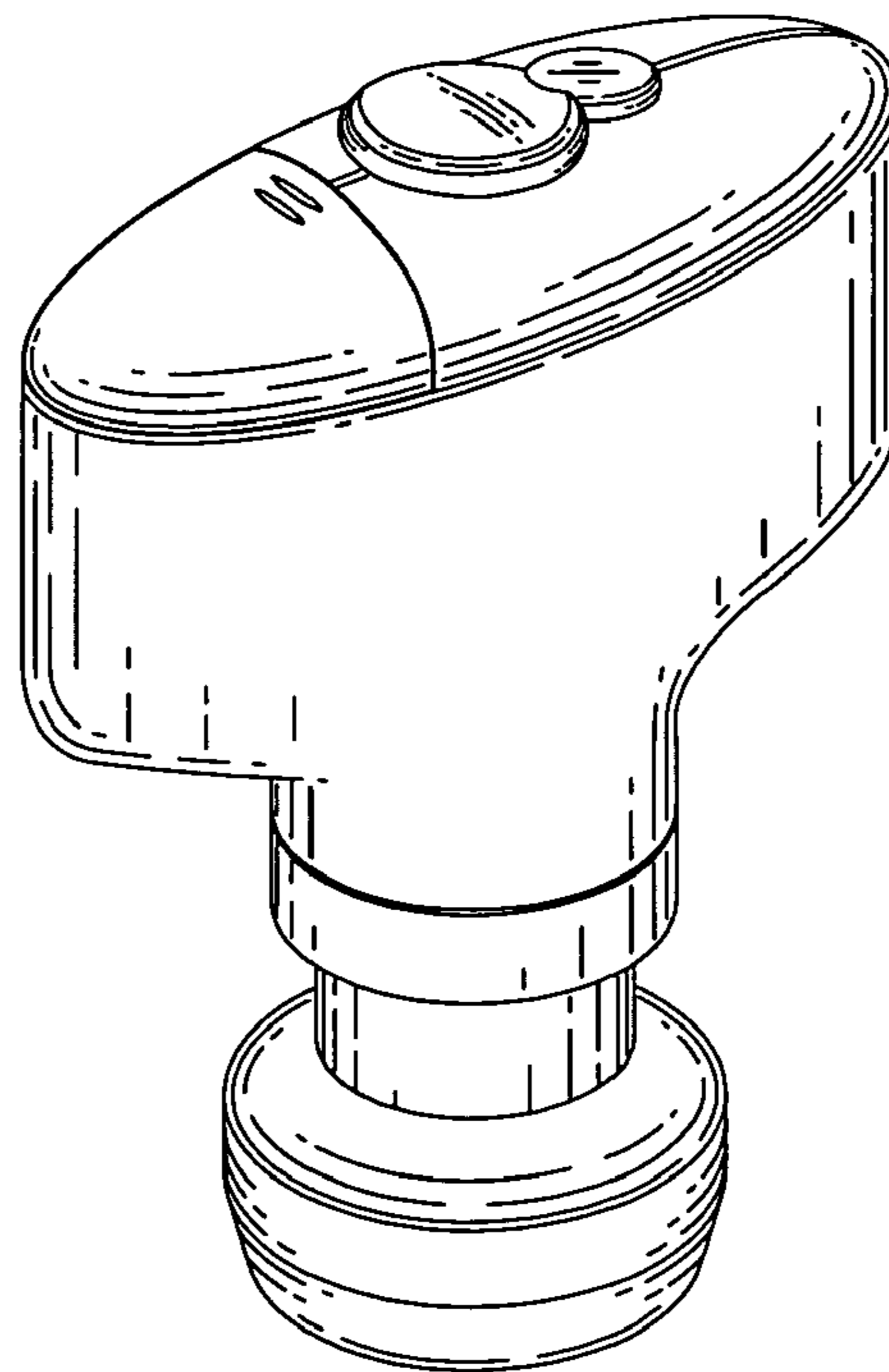


FIG. 8

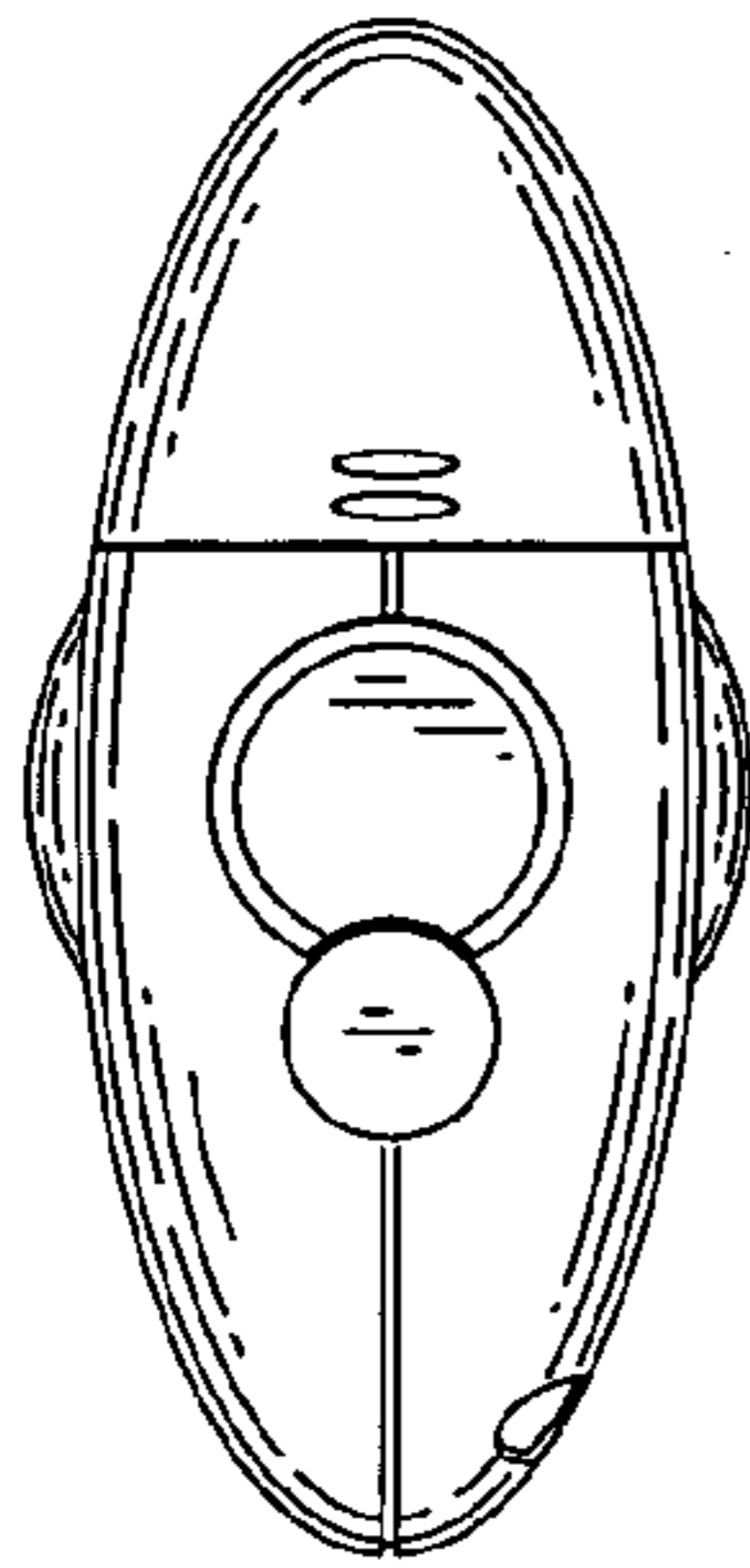


FIG. 7

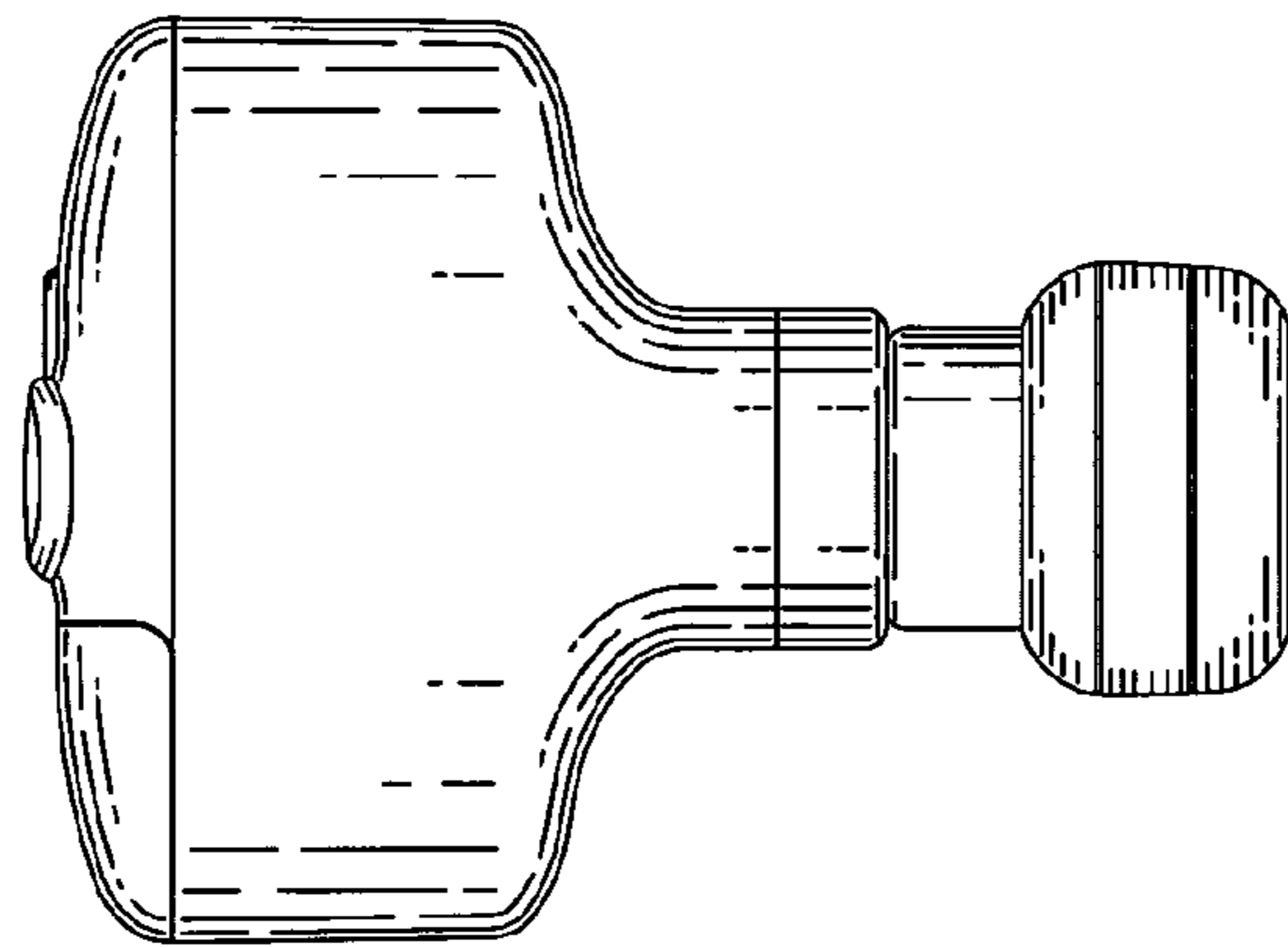


FIG. 2

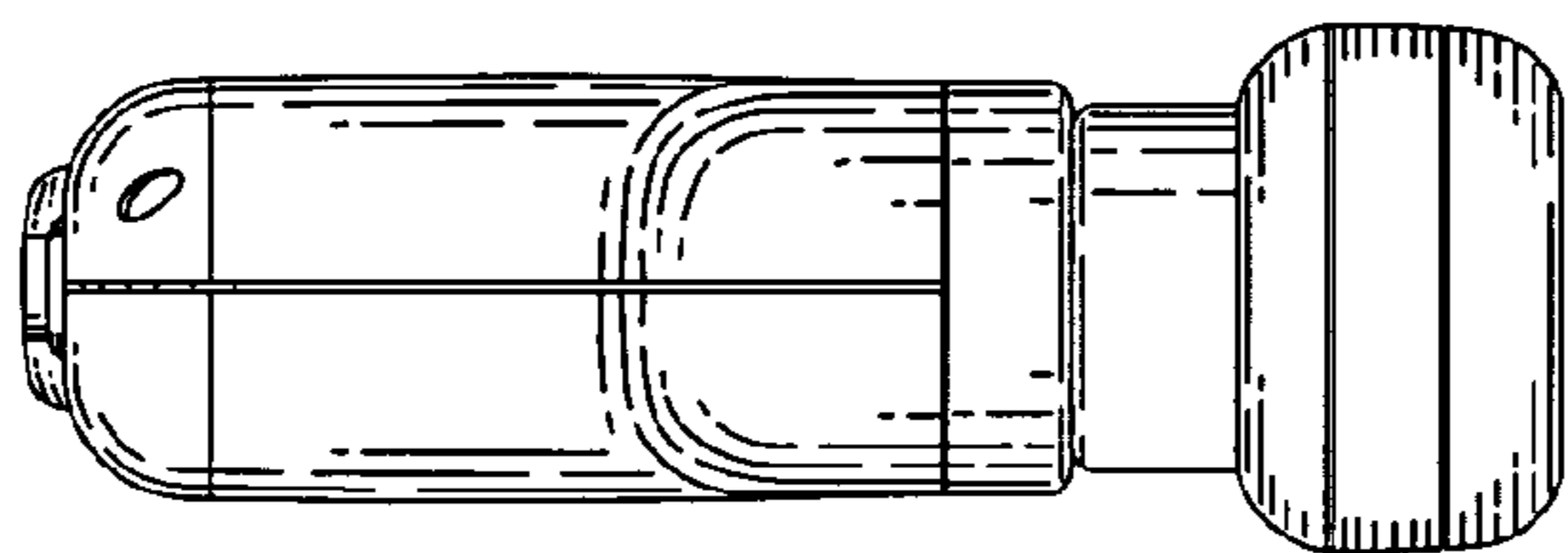


FIG. 4

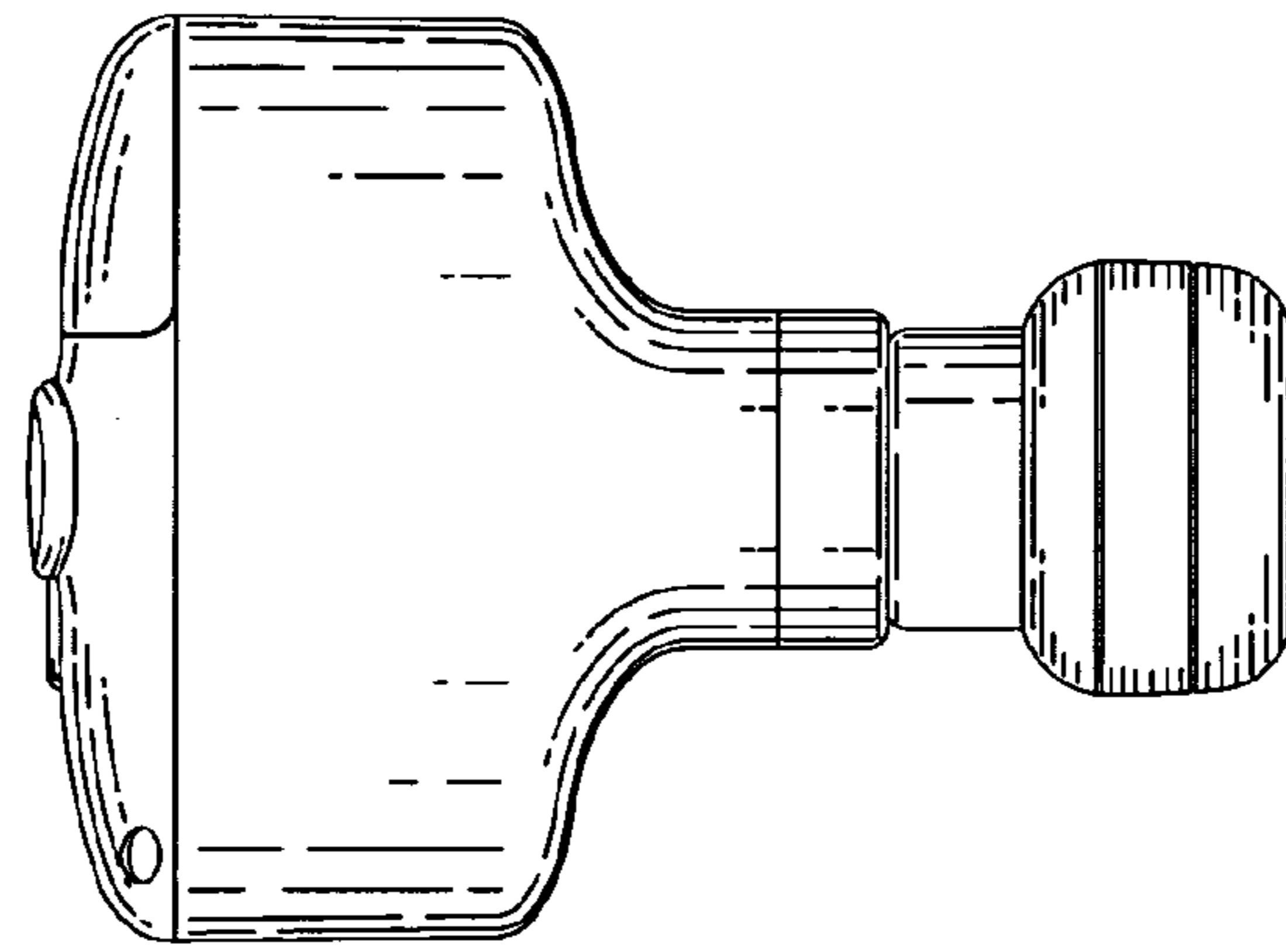


FIG. 3

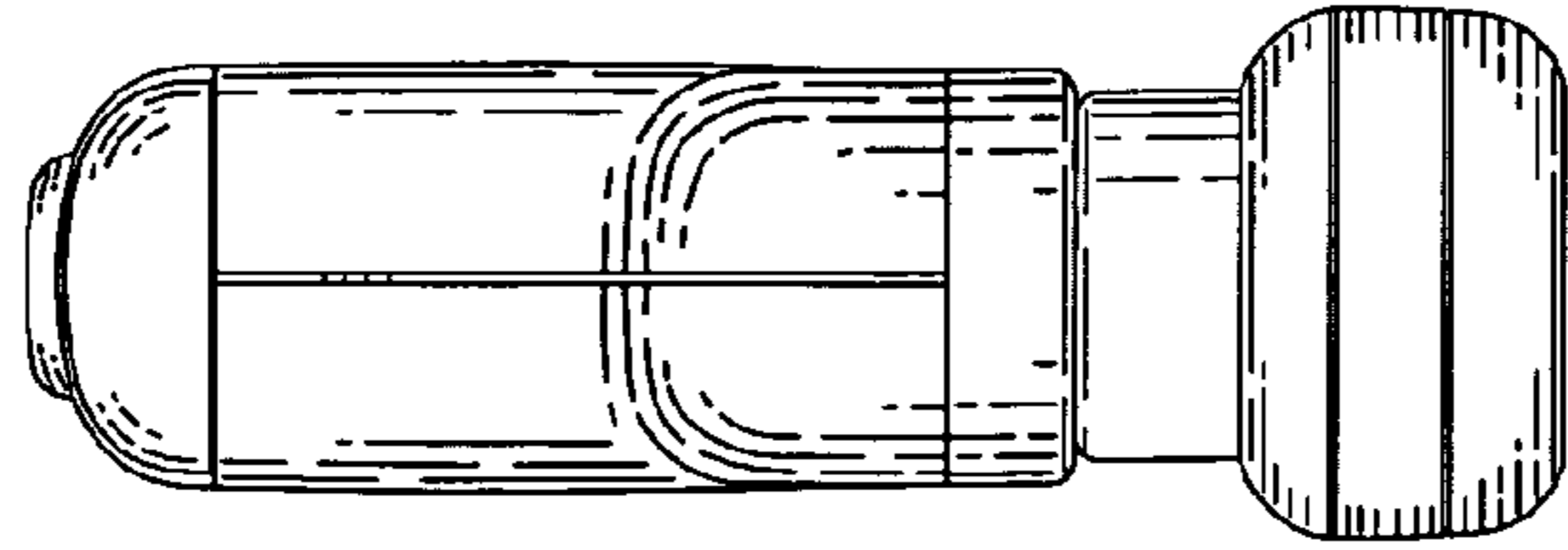


FIG. 5

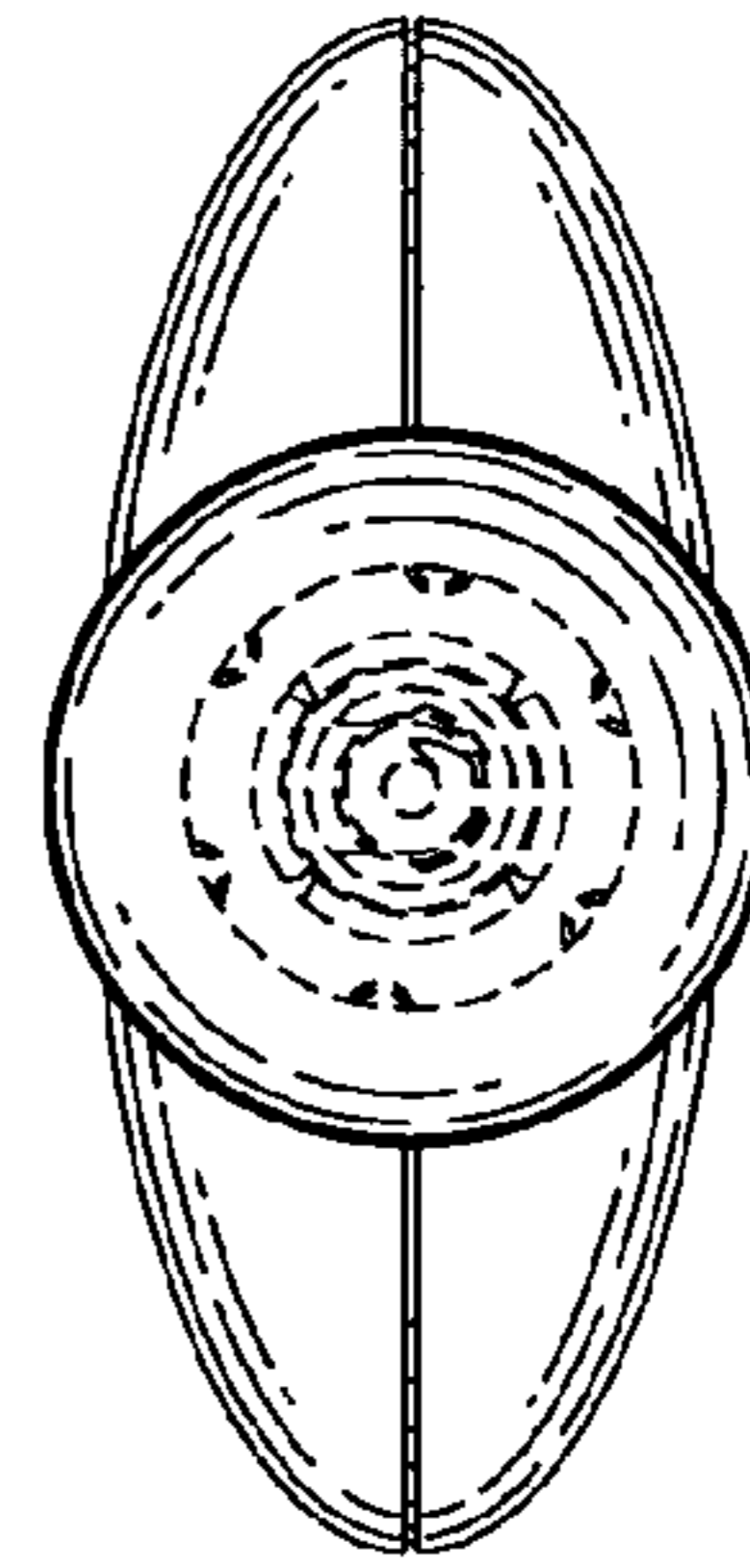


FIG. 6