

US00D594296S

(12) **United States Design Patent**
Slingerland

(10) **Patent No.:** **US D594,296 S**
(45) **Date of Patent:** **** Jun. 16, 2009**

(54) **HORSESHOE RETRIEVER**

(76) Inventor: **Michael J. Slingerland**, 17 Ted Rd.,
Milton, VT (US) 05468

(**) Term: **14 Years**

(21) Appl. No.: **29/301,574**

(22) Filed: **Mar. 7, 2008**

(51) **LOC (9) Cl.** **08-05**

(52) **U.S. Cl.** **D8/14**

(58) **Field of Classification Search** D8/1,
D8/14, 88, 89; 168/48.1, 45; 294/19.1, 1,
294/26

See application file for complete search history.

(56) **References Cited**

U.S. PATENT DOCUMENTS

2,488,312	A	11/1949	Millican et al.	
D288,575	S	3/1987	Donoho	
D298,299	S	11/1988	Deibel	
D330,494	S *	10/1992	Eagle, Jr.	D8/14
D341,525	S *	11/1993	Bernhard	D8/1
D368,837	S	4/1996	Reed	
D384,253	S *	9/1997	Patino	D8/14

5,666,683	A	9/1997	Gairdner	
D459,959	S *	7/2002	Fetterman et al.	D8/14
6,422,623	B1 *	7/2002	Thomas	294/24
6,918,415	B1	7/2005	Johnson	
D566,495	S *	4/2008	Hackmann	D8/14

* cited by examiner

Primary Examiner—Philip S Hyder

(74) *Attorney, Agent, or Firm*—Robert C. Montgomery

(57) **CLAIM**

The ornamental design for a horseshoe retriever, as shown and described.

DESCRIPTION

FIG. 1 is a front view of a horseshoe retriever, as shown and described;

FIG. 2 is a rear view thereof;

FIG. 3 is a left side view thereof;

FIG. 4 is a right side view thereof;

FIG. 5 is an enlarged top plan view thereof; and,

FIG. 6 is an enlarged bottom plan view thereof.

1 Claim, 6 Drawing Sheets



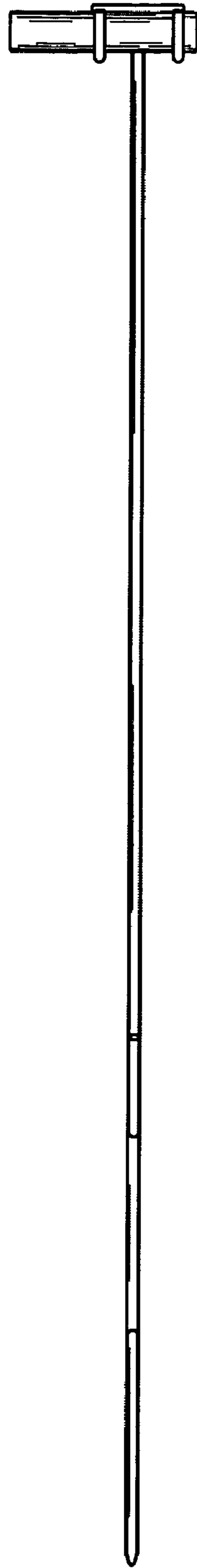


Fig. 1

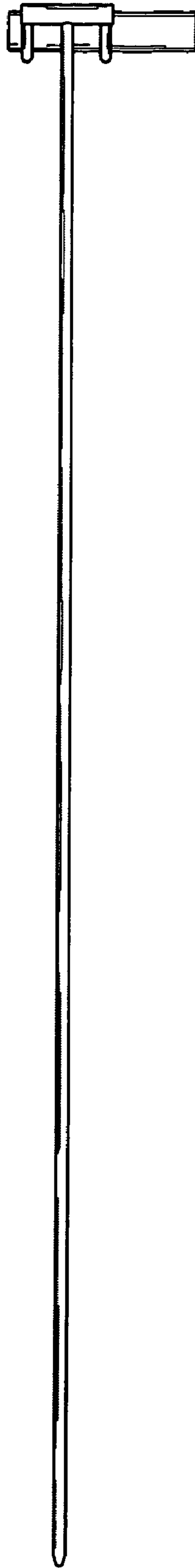


Fig. 2

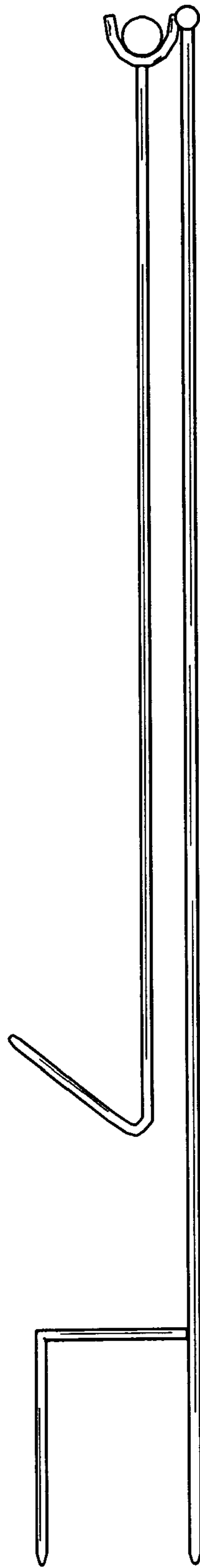


Fig. 3

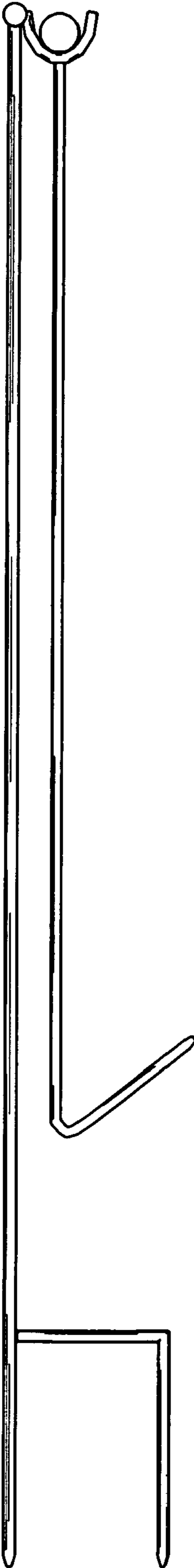


Fig. 4

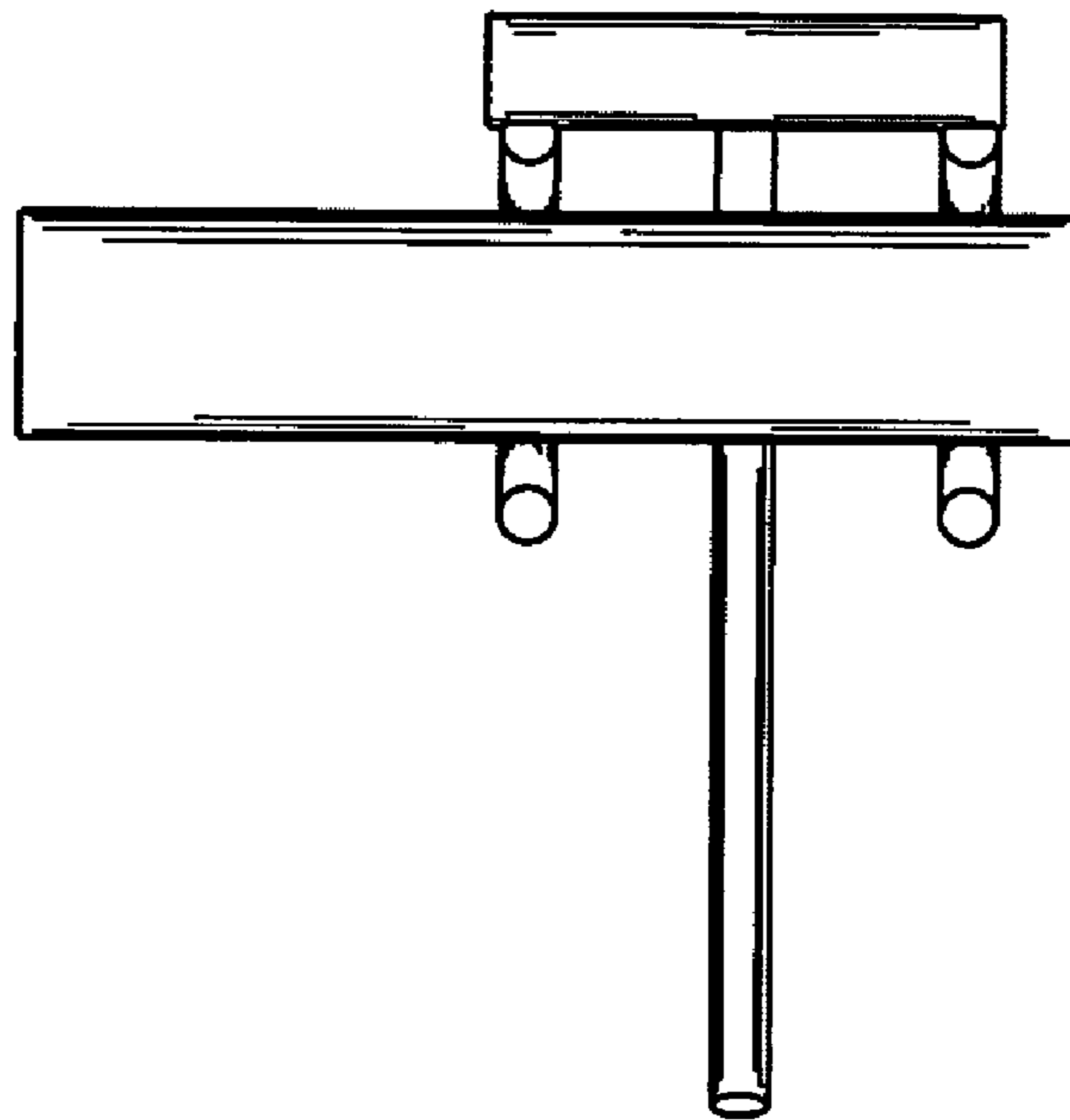


Fig. 5

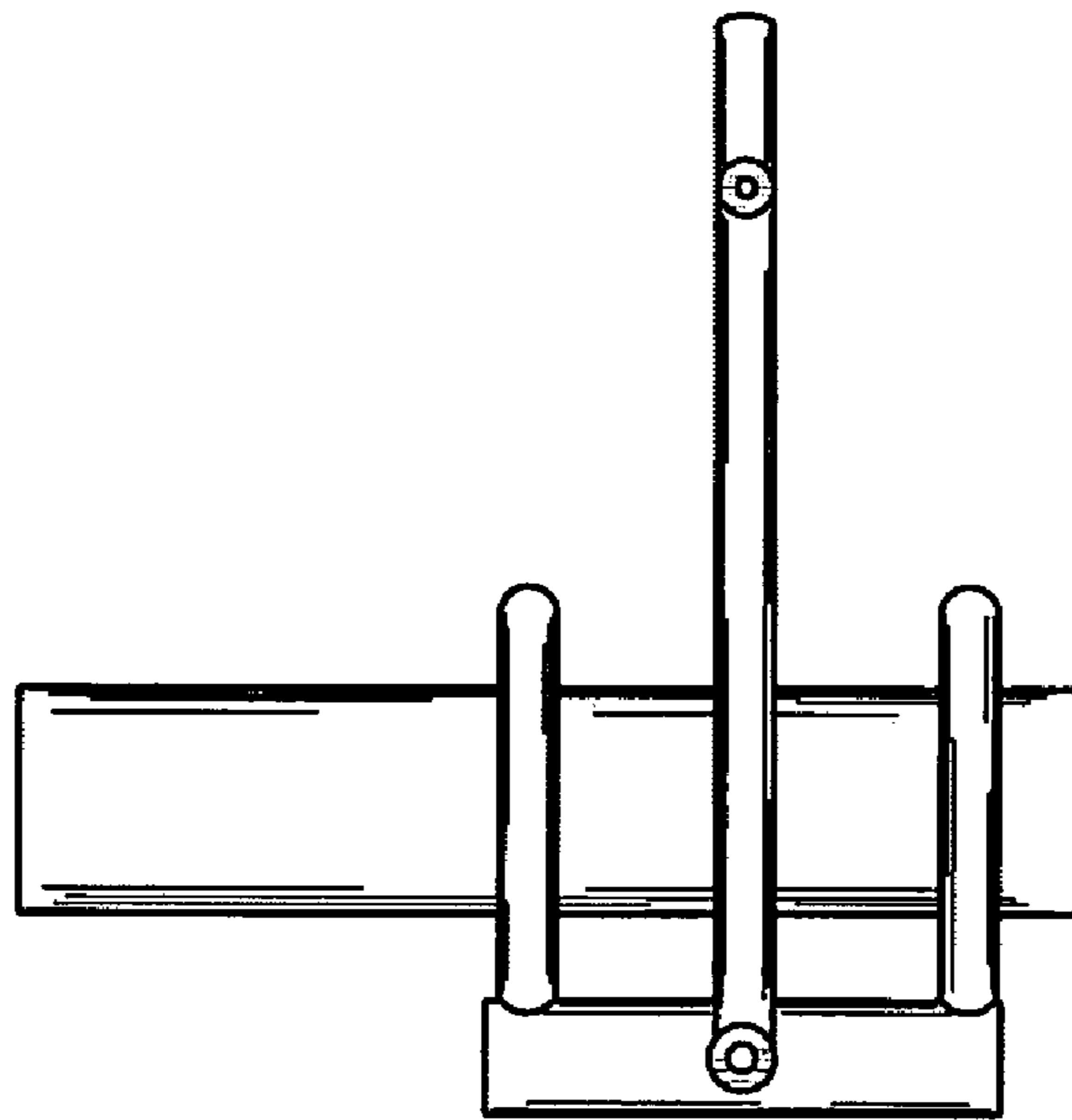


Fig. 6