



US00D594294S

(12) **United States Design Patent**  
**Hamblin et al.**

(10) **Patent No.:** **US D594,294 S**  
(45) **Date of Patent:** **\*\* Jun. 16, 2009**

(54) **MODULAR WINE RACK**

(75) Inventors: **Ronald Ian Hamblin**, P.O. Box 1803,  
Gosford, NSW (AU) 2250; **Toni**  
**Michelle Benton**, Gosford (AU)

(73) Assignee: **Ronald Ian Hamblin**, Gosford, New  
South Wales (AU)

(\*\*) Term: **14 Years**

(21) Appl. No.: **29/307,319**

(22) Filed: **Apr. 14, 2008**

(30) **Foreign Application Priority Data**

Feb. 4, 2008 (AU) ..... 20213/2007

(51) **LOC (9) Cl.** ..... **06-04**

(52) **U.S. Cl.** ..... **D7/707**

(58) **Field of Classification Search** ..... D7/701-708,  
D7/600.1-600.4; 211/74, 77, 71.01, 1.51,  
211/134, 194, 150, 85.4; D6/449, 457, 458,  
D6/462, 466

See application file for complete search history.

(56) **References Cited**

**U.S. PATENT DOCUMENTS**

3,606,023 A \* 9/1971 Edmunds ..... 211/74

D275,626 S \* 9/1984 Moore ..... D7/708  
D348,806 S \* 7/1994 Young ..... D7/702  
5,417,333 A \* 5/1995 Flum ..... 211/194  
D533,414 S \* 12/2006 Claypool et al. .... D7/701  
2004/0232092 A1 \* 11/2004 Cash ..... 211/74

\* cited by examiner

*Primary Examiner*—Terry A Wallace

(57) **CLAIM**

We claim the ornamental design for a modular wine rack, as shown.

**DESCRIPTION**

FIG. 1 is a perspective view of a modular wine rack showing our new design.

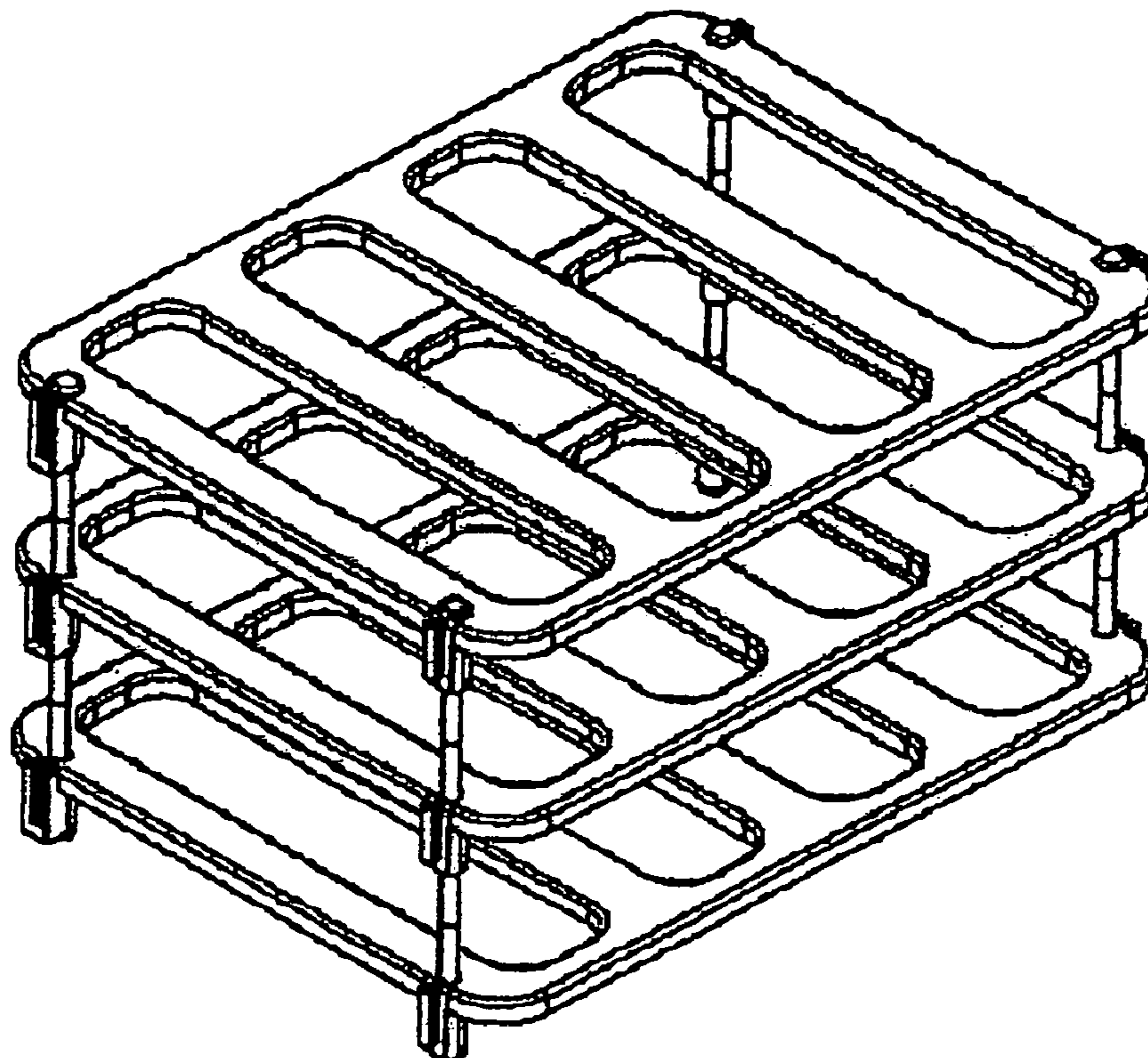
FIG. 2 is a top plan view thereof.

FIG. 3 is a side view thereof; and,

FIG. 4 is an end view thereof.

Features—The wine rack design is easy to assemble, and modular in nature meaning it can be built to suit individual requirements.

**1 Claim, 4 Drawing Sheets**



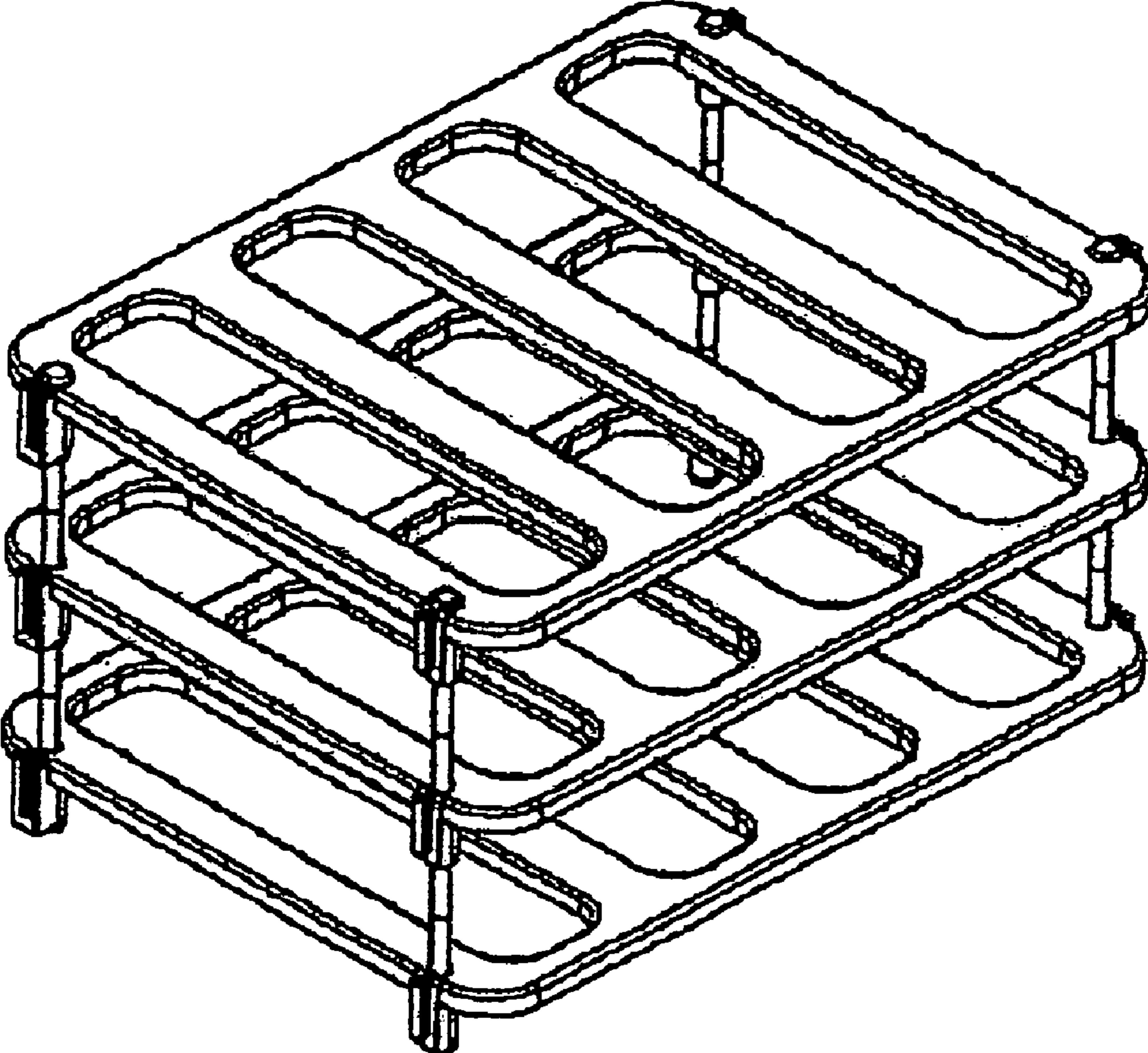


FIG. 1

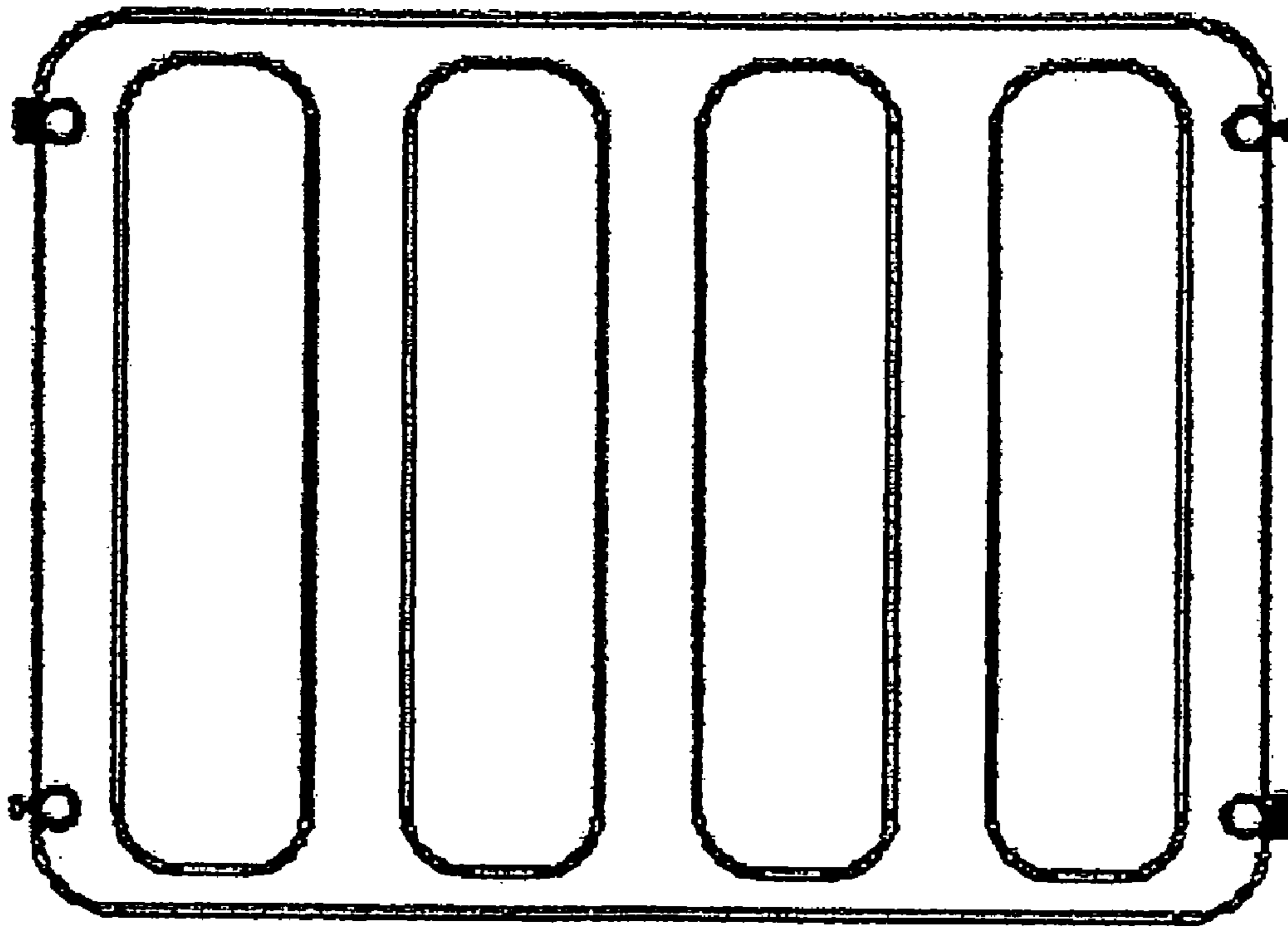


FIG. 2

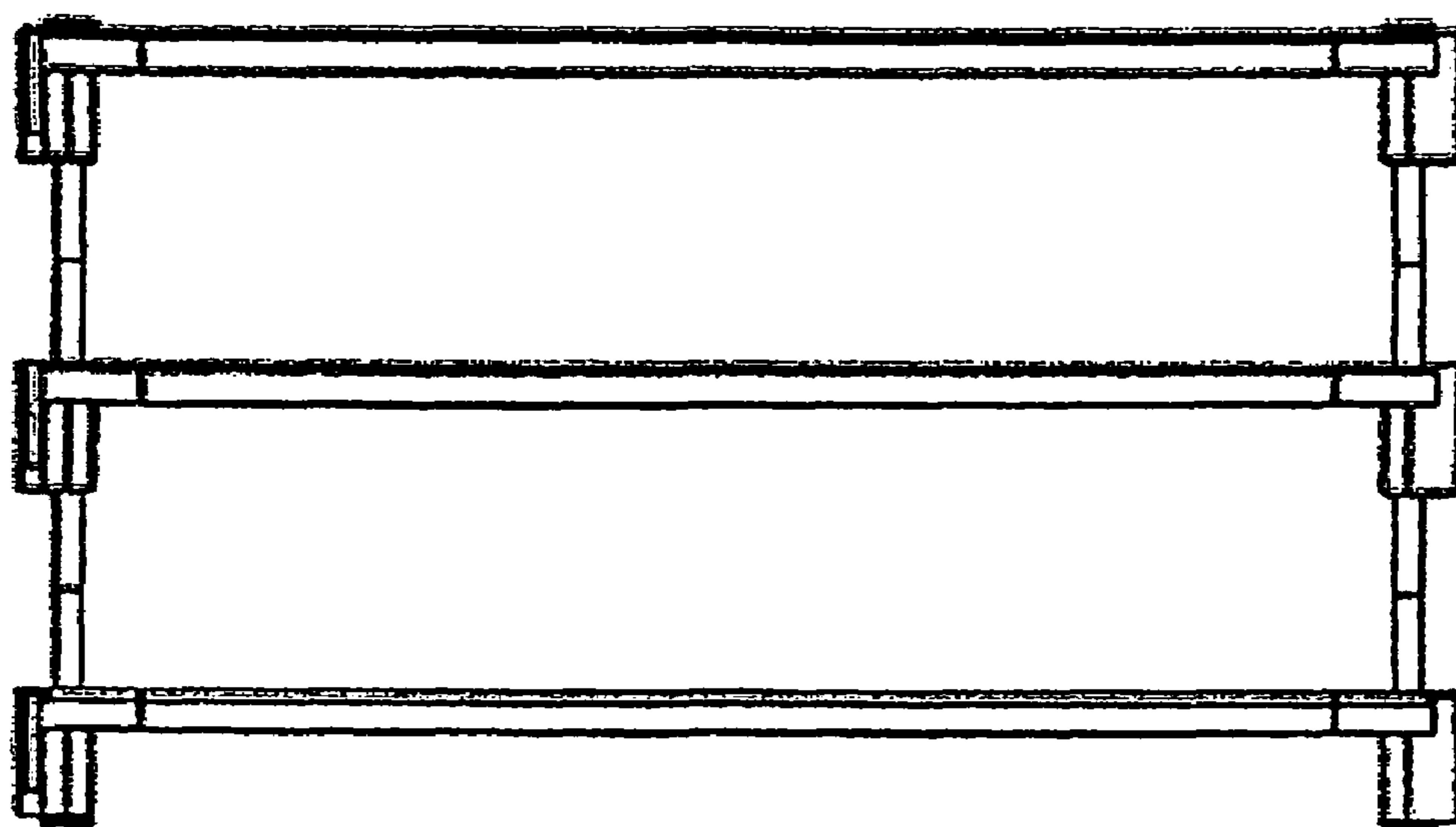


FIG. 3

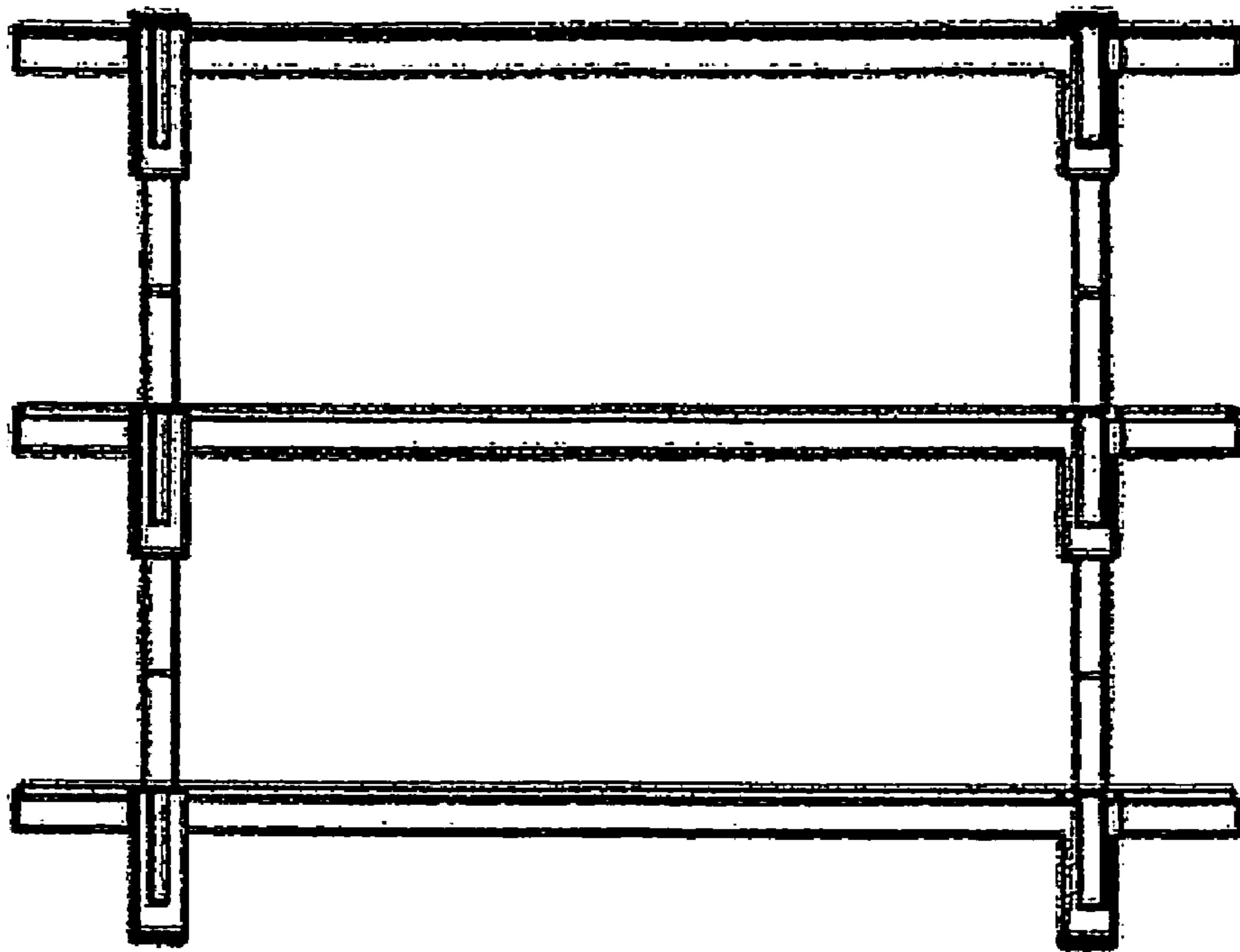


FIG. 4