



US00D594284S

(12) **United States Design Patent**
Goodman et al.

(10) **Patent No.:** **US D594,284 S**
(45) **Date of Patent:** **** Jun. 16, 2009**

(54) **FRUIT BOWL**
(75) Inventors: **Sheldon H. Goodman**, Solon, OH (US);
Omer I. Sazir, Cleveland, OH (US)

2,837,632 A * 6/1958 Lipscomb 362/342
D217,594 S * 5/1970 Bardell D9/456
4,471,596 A * 9/1984 Deaton et al. 52/668
D299,401 S * 1/1989 Ryan D7/672
D497,781 S * 11/2004 Joseph D7/641

(73) Assignee: **Spectrum Diversified Designs, Inc.**,
Streetsboro, OH (US)

* cited by examiner

(**) Term: **14 Years**

Primary Examiner—Charles A Rademaker

Assistant Examiner—Charles D Hanson

(21) Appl. No.: **29/306,386**

(74) *Attorney, Agent, or Firm*—Pearne & Gordon LLP

(22) Filed: **Apr. 9, 2008**

(57) **CLAIM**

(51) **LOC (9) Cl.** **07-01**

The ornamental design for a fruit bowl, as shown and described.

(52) **U.S. Cl.** **D7/587; D7/500**

(58) **Field of Classification Search** D7/500–504,
D7/538–588; D9/424–429, 761, 500; 220/904,
220/23.83, 574, 212, 657, 659, 755, 771,
220/571, 641; D25/153; 211/128.1, 78;
362/342; 52/668

DESCRIPTION

FIG. 1 is a perspective view of a fruit bowl, showing our new design;

FIG. 2 is a front elevational view thereof;

FIG. 3 is a side elevational view thereof;

FIG. 4 is a top plan view thereof; and,

FIG. 5 is a bottom plan view thereof.

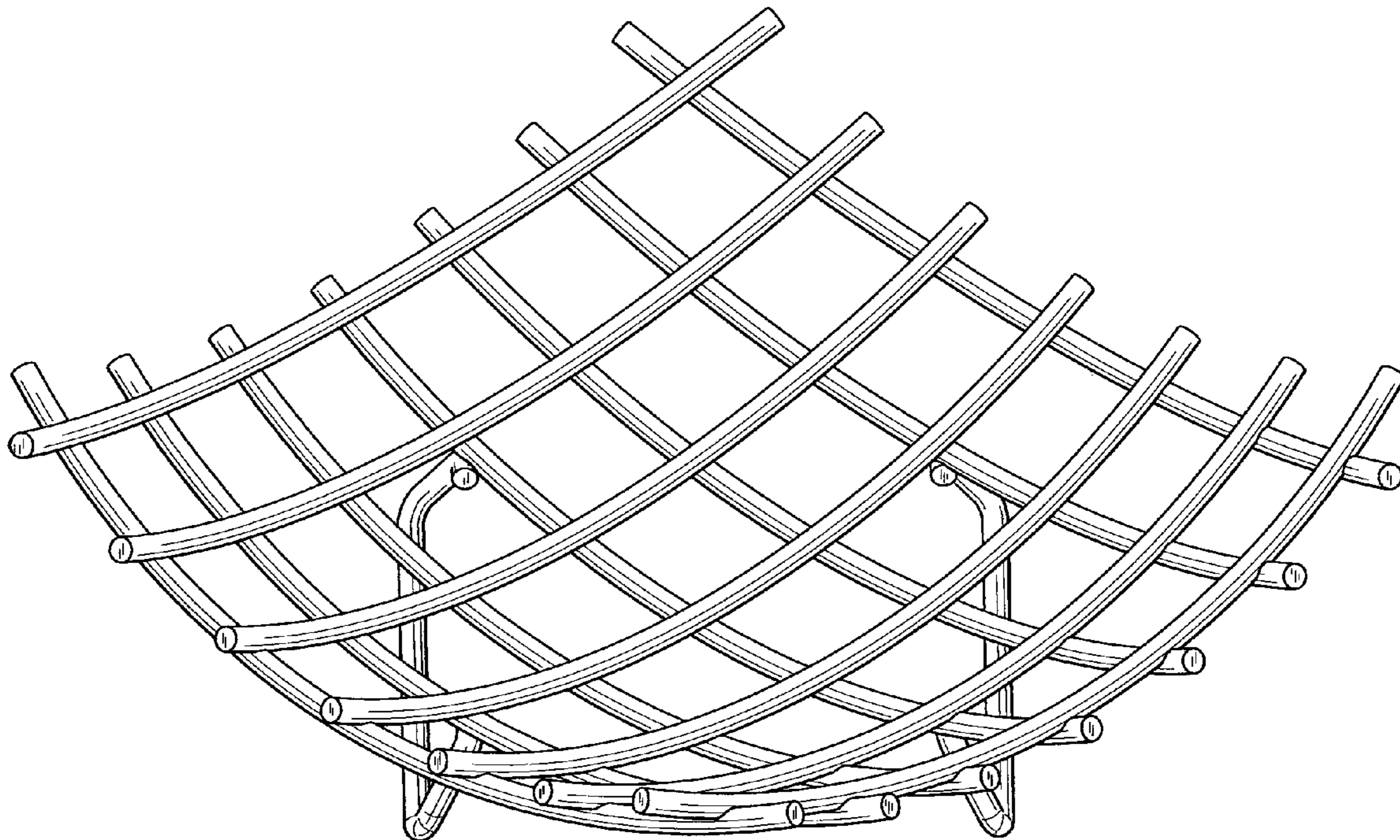
See application file for complete search history.

(56) **References Cited**

U.S. PATENT DOCUMENTS

D94,347 S * 1/1935 Hammer D7/584

1 Claim, 3 Drawing Sheets



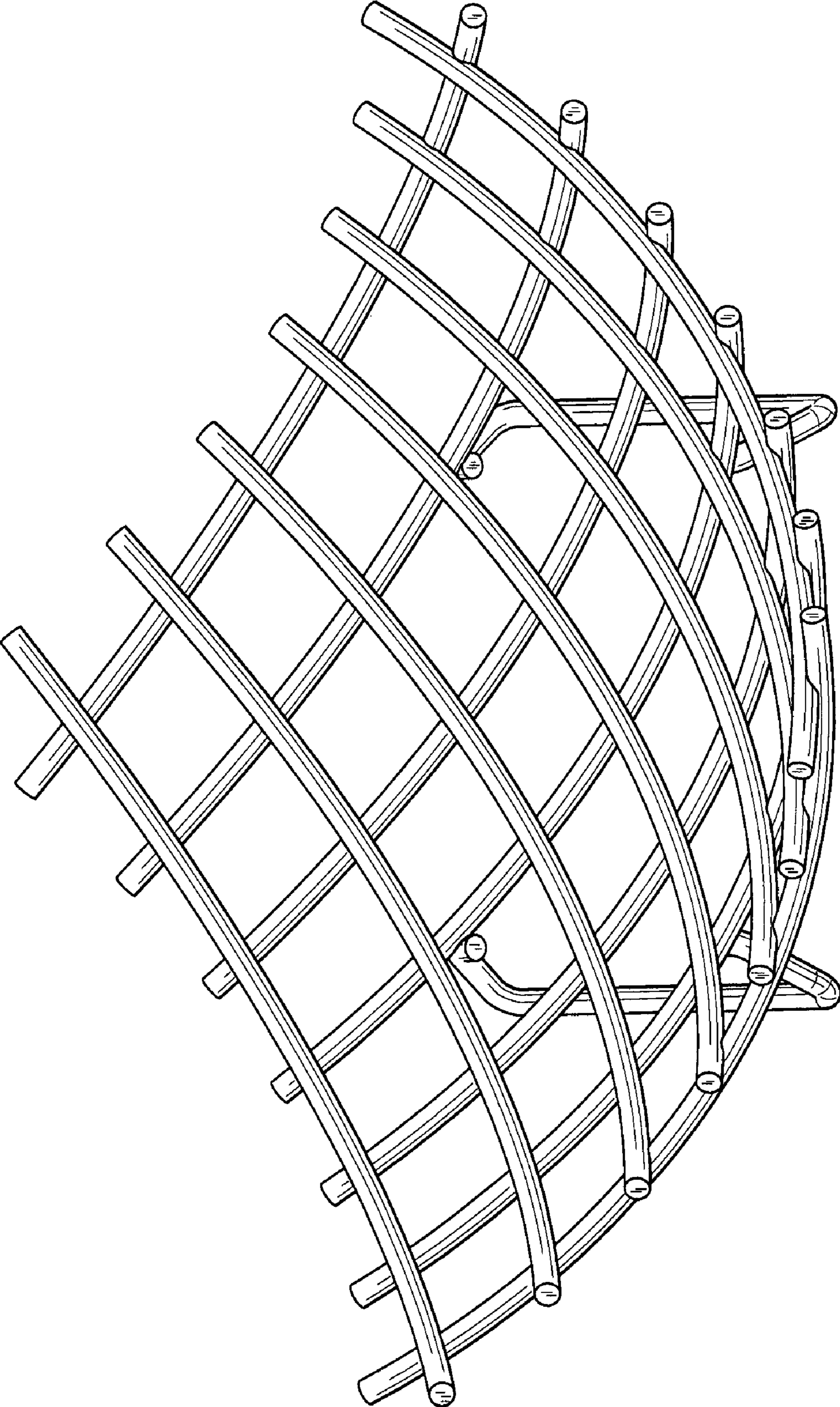


FIG. 1

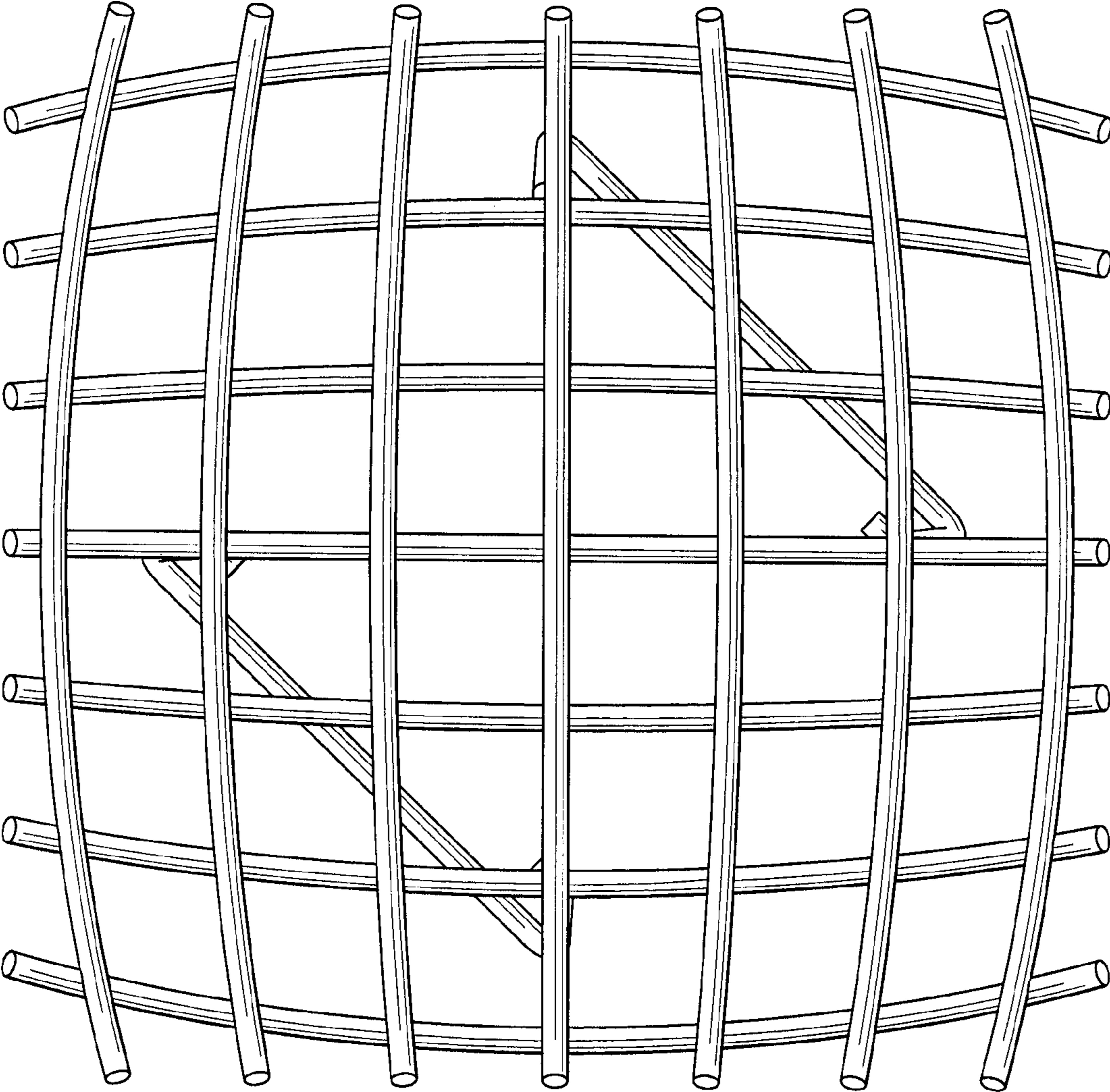


FIG. 4

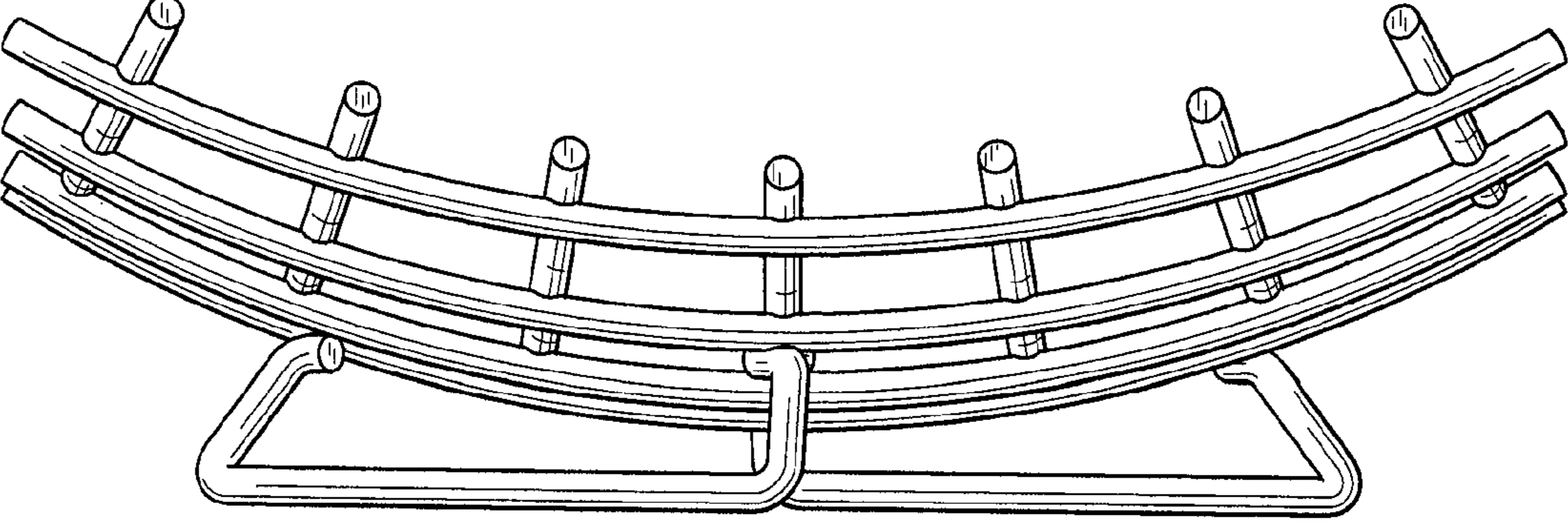


FIG. 2

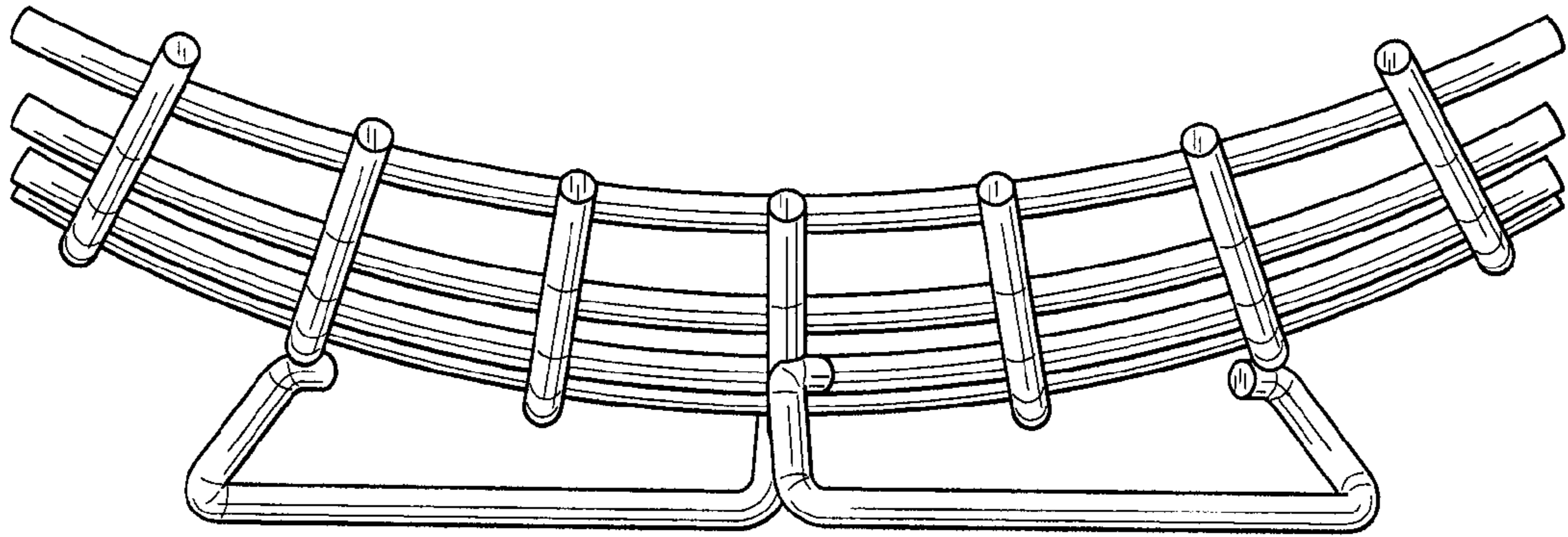


FIG. 3

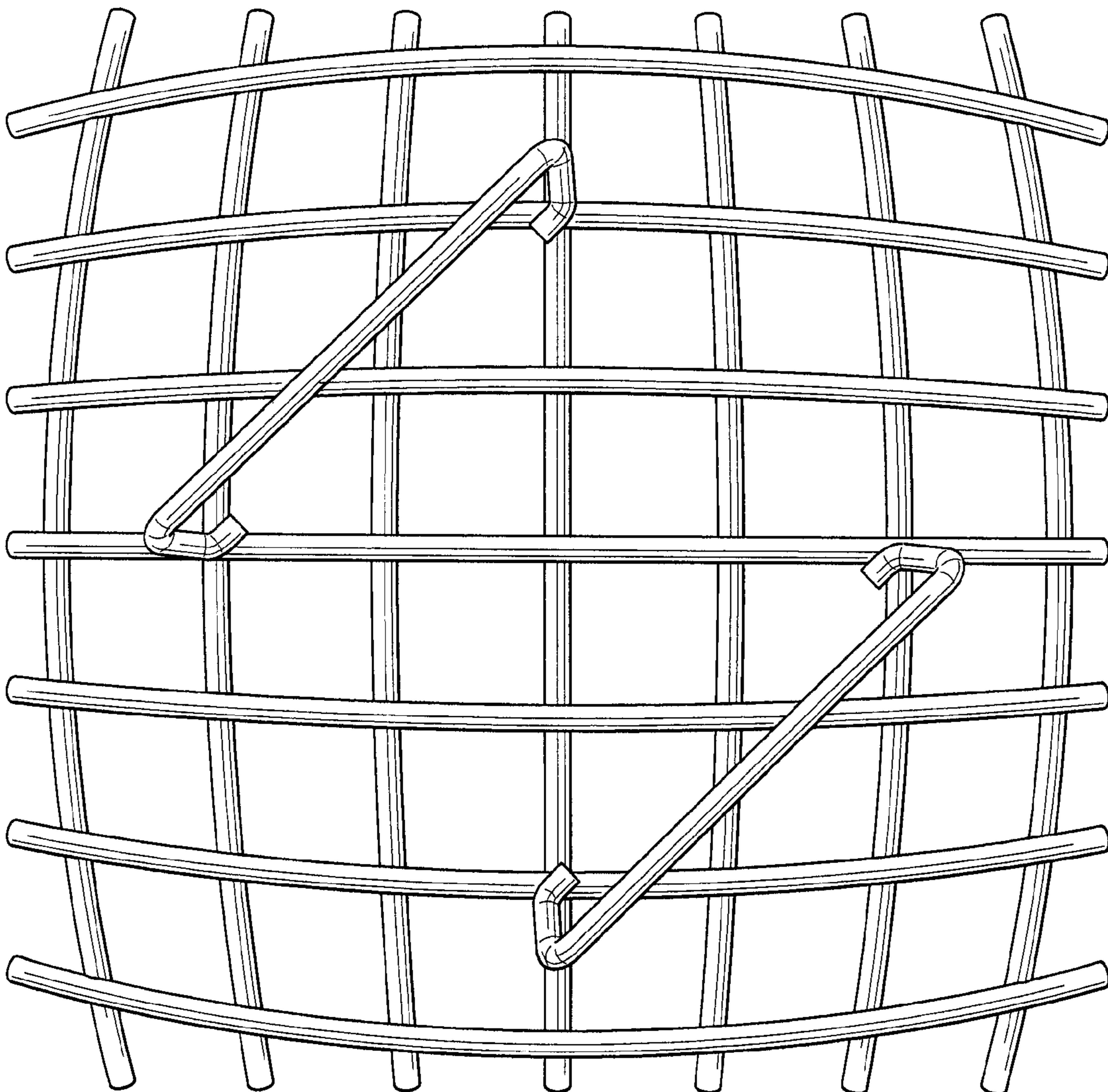


FIG. 5