



US00D594279S

(12) **United States Design Patent**
Ablo

(10) **Patent No.:** **US D594,279 S**
(45) **Date of Patent:** **** Jun. 16, 2009**

(54) **CONTAINER FOR GARLIC**
(75) Inventor: **Famia E. Ablo**, Orlando, FL (US)
(73) Assignee: **Dart Industries Inc.**, Orlando, FL (US)
(**) Term: **14 Years**
(21) Appl. No.: **29/240,043**
(22) Filed: **Oct. 7, 2005**

6,525,299 B2 2/2003 Hannon et al.
D479,333 S * 9/2003 Turnbough D24/197
D505,826 S 6/2005 Hannon et al.
D535,352 S * 1/2007 Verdon D23/207
D538,114 S * 3/2007 Kolano D7/628
2001/0036073 A1 11/2001 Trease
2002/0185486 A1 12/2002 Hannon et al.
2005/0220955 A1 10/2005 Hannon et al.

FOREIGN PATENT DOCUMENTS

JP 2001-199197 1/2000

OTHER PUBLICATIONS

[http://www.hudson-neva.com/Modra/M-BLL-2\(977-964\).htm](http://www.hudson-neva.com/Modra/M-BLL-2(977-964).htm).
<http://www.emuseumstore.com/product/2379/67□□manufactured>
by YTC 888-764-2846.*

* cited by examiner

Primary Examiner—Philip S. Hyder
Assistant Examiner—Cynthia Underwood
(74) *Attorney, Agent, or Firm*—John A. Doninger

(51) **LOC (9) Cl.** **07-01**
(52) **U.S. Cl.** **D7/539; D7/500; D7/538;**
D7/602; D7/623
(58) **Field of Classification Search** **D7/500,**
D7/514, 515, 518, 521, 538, 539, 540, 542,
D7/544, 551.2, 564, 576, 583, 584, 586, 604,
D7/606, 623, 626, 628, 636, 639, 651, 654,
D7/659, 689, 660; D9/426, 539, 600, 601,
D9/643, 644, 655, 661; D3/21, 27, 201,
D3/211, 238, 270, 271.8; D1/106, 115, 122,
D1/124, 130; D20/29; D21/496; D23/204,
D23/207; D24/197; 220/737, 799, 800

See application file for complete search history.

(56) **References Cited**

U.S. PATENT DOCUMENTS

514,159 A * 2/1894 Nelson 206/457
D88,428 S * 11/1932 Mezquita D9/646
D152,676 S 2/1949 De Marsa
D165,574 S * 1/1952 Forman D7/502
4,795,033 A 1/1989 Duffy
D312,914 S * 12/1990 Daldrup D1/122
D319,009 S * 8/1991 Astrab, Jr. D9/644
D320,910 S 10/1991 Saiki
D336,215 S * 6/1993 Dreyer D7/539
D349,643 S * 8/1994 Szymanski D9/644
D383,946 S 9/1997 Fillipp et al.
D436,855 S * 1/2001 Papiernik D9/414
D454,936 S 3/2002 Catelli

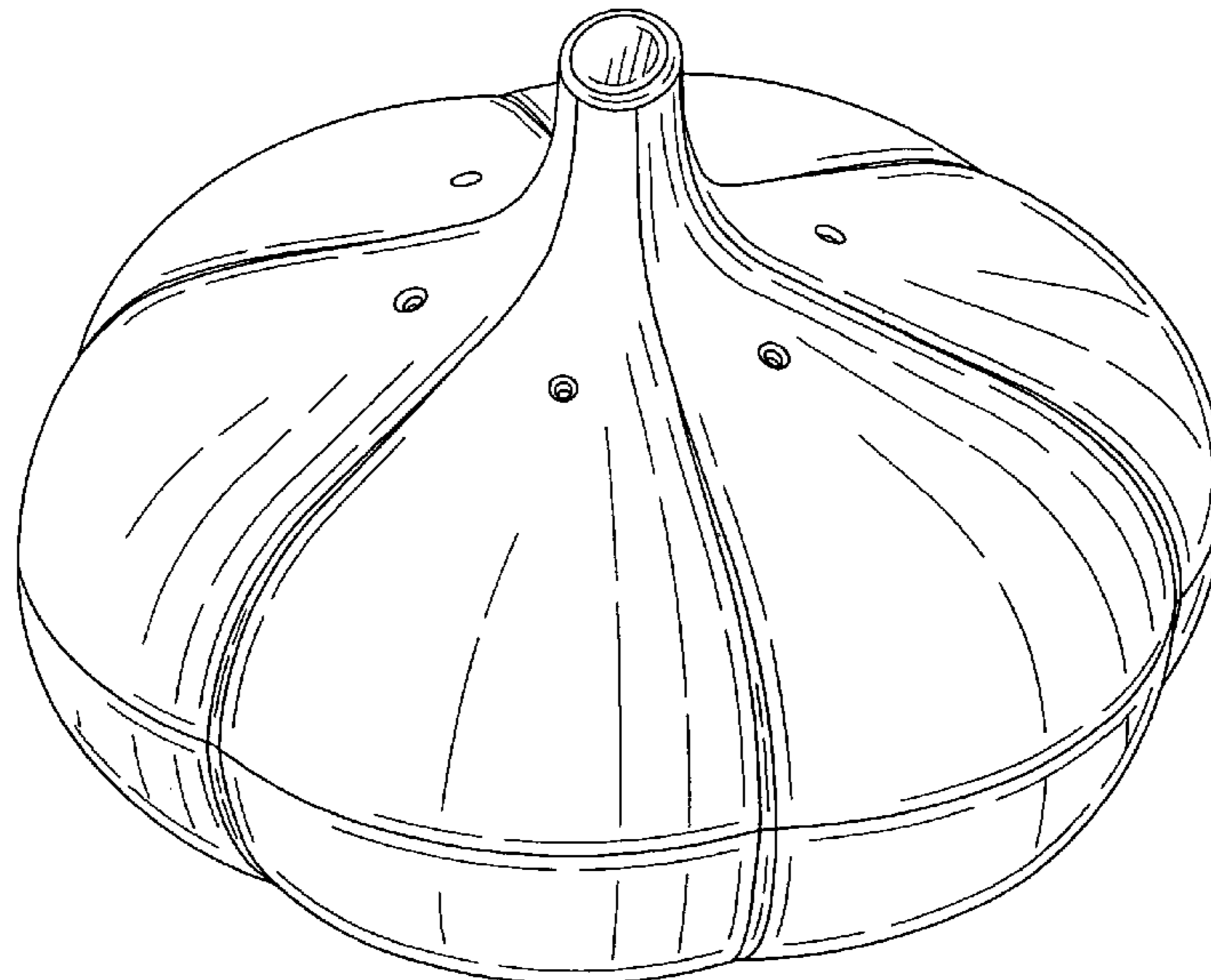
(57) **CLAIM**

The ornamental design for a container for garlic, as shown and described.

DESCRIPTION

FIG. 1 is a top, side and front perspective view of a container for garlic showing the new design;
FIG. 2 is a front elevation view thereof;
FIG. 3 is a rear elevation view thereof;
FIG. 4 is a left side elevation view thereof;
FIG. 5 is a right side elevation view thereof;
FIG. 6 is a top plan view thereof; and,
FIG. 7 is a bottom plan view thereof.

1 Claim, 4 Drawing Sheets



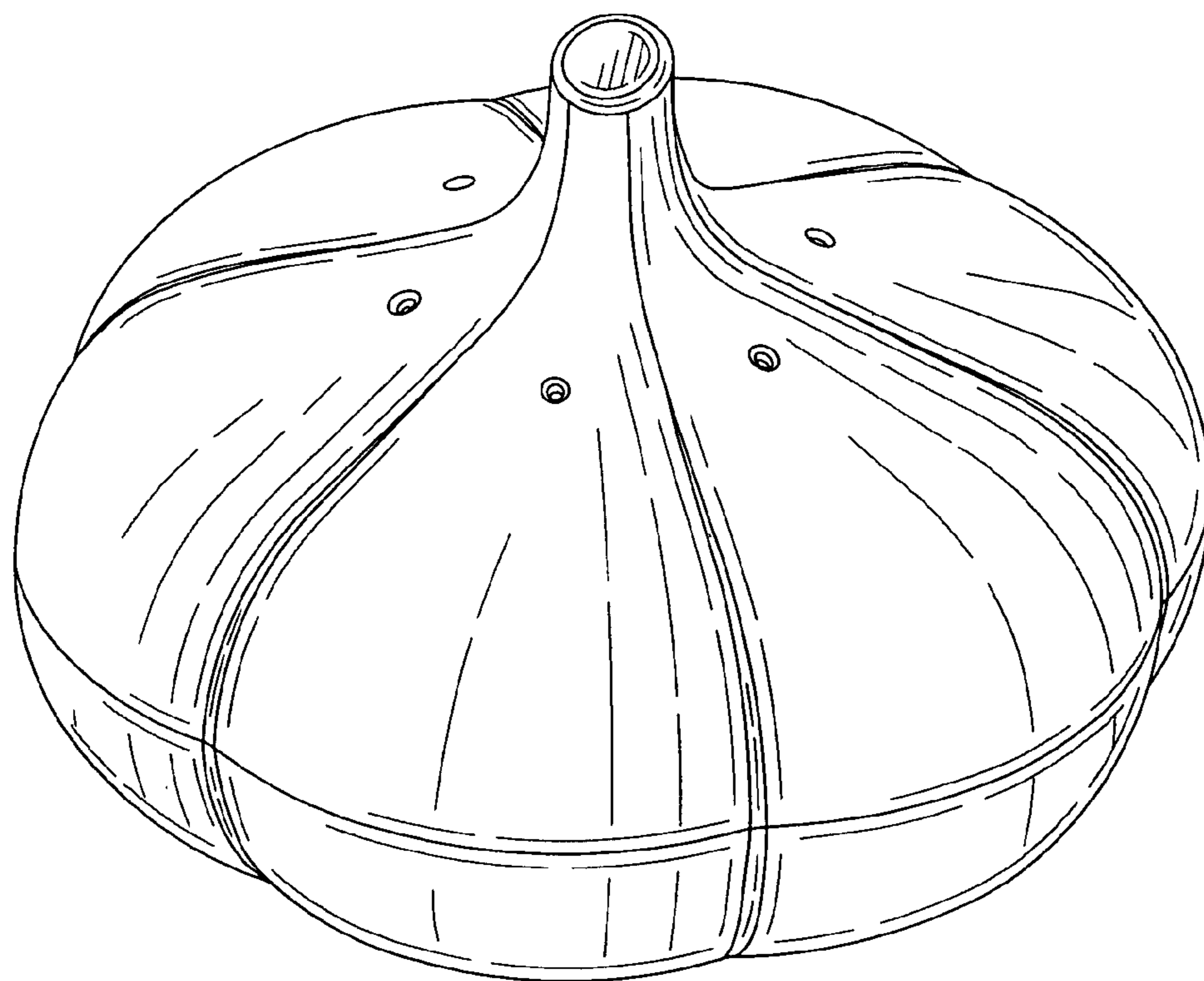


FIG. 1

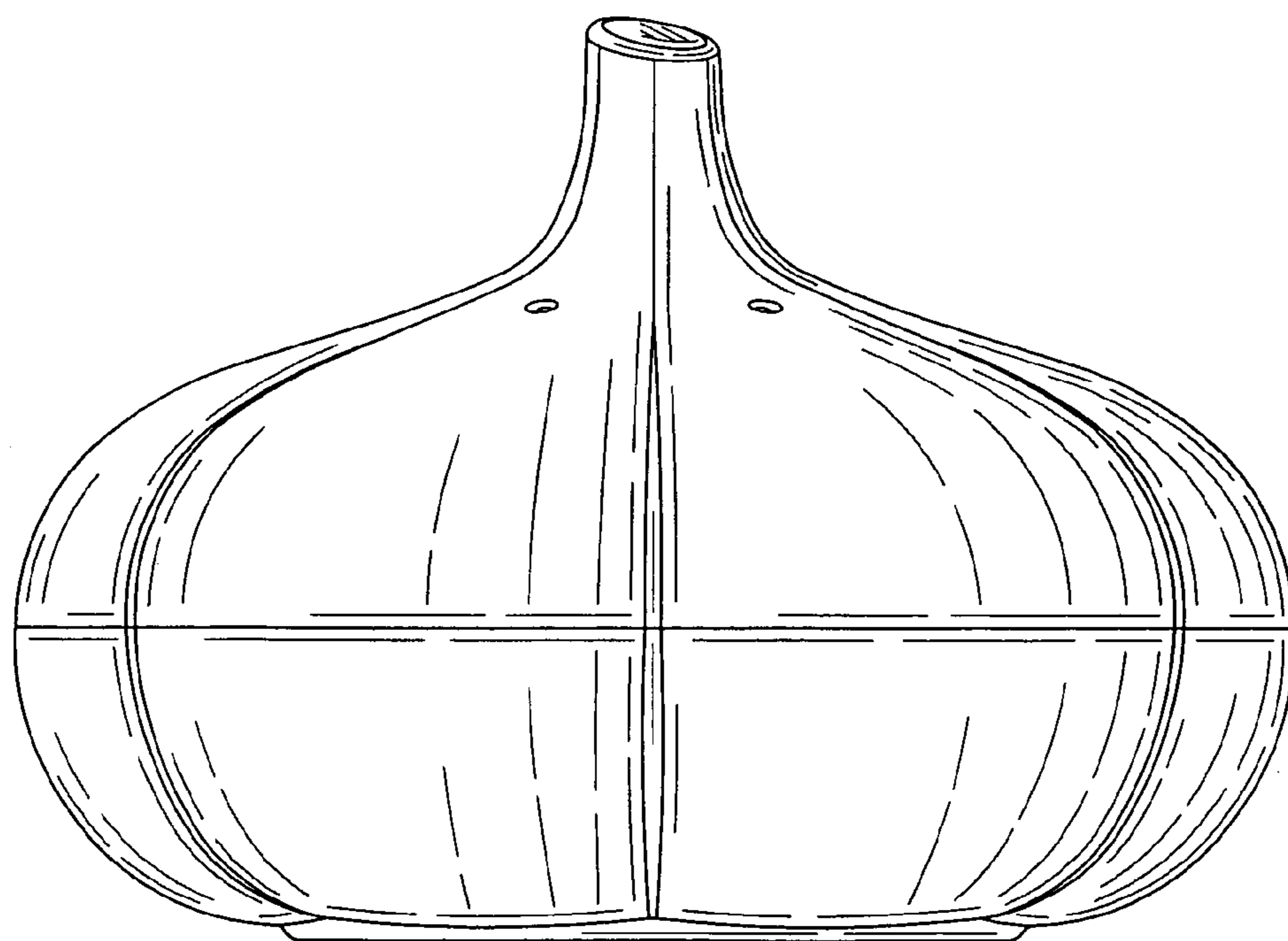


FIG. 2

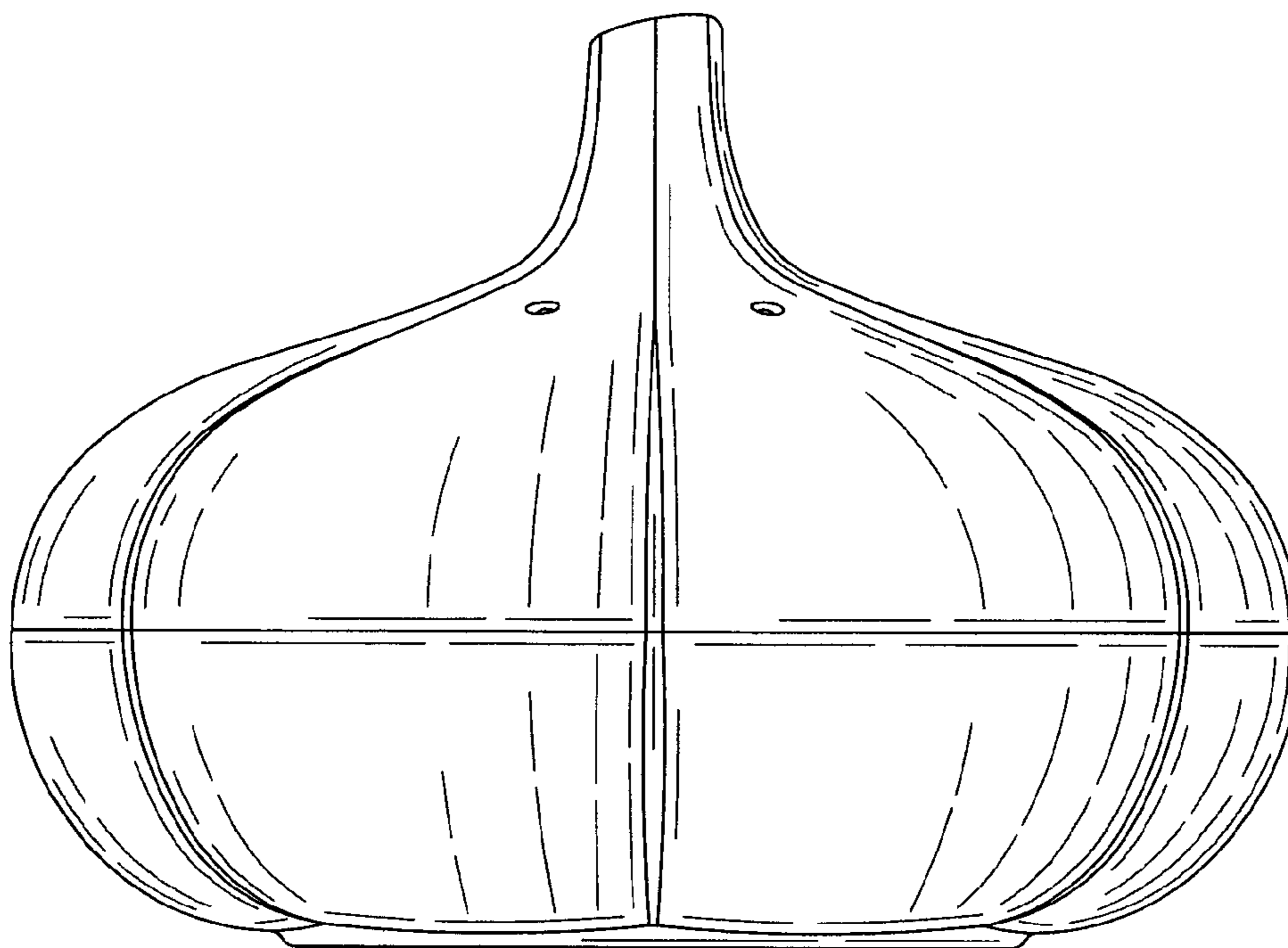


FIG. 3

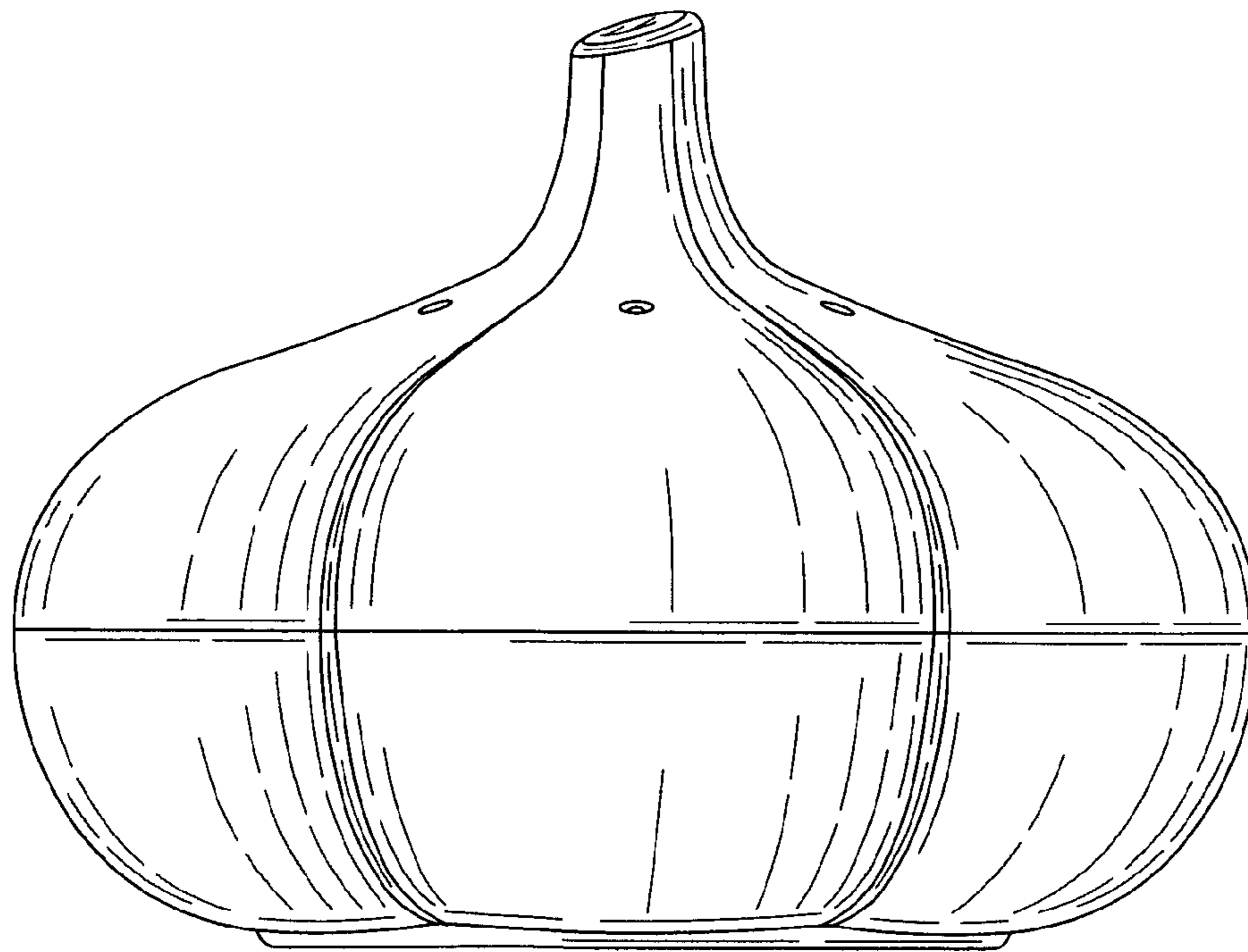


FIG. 4

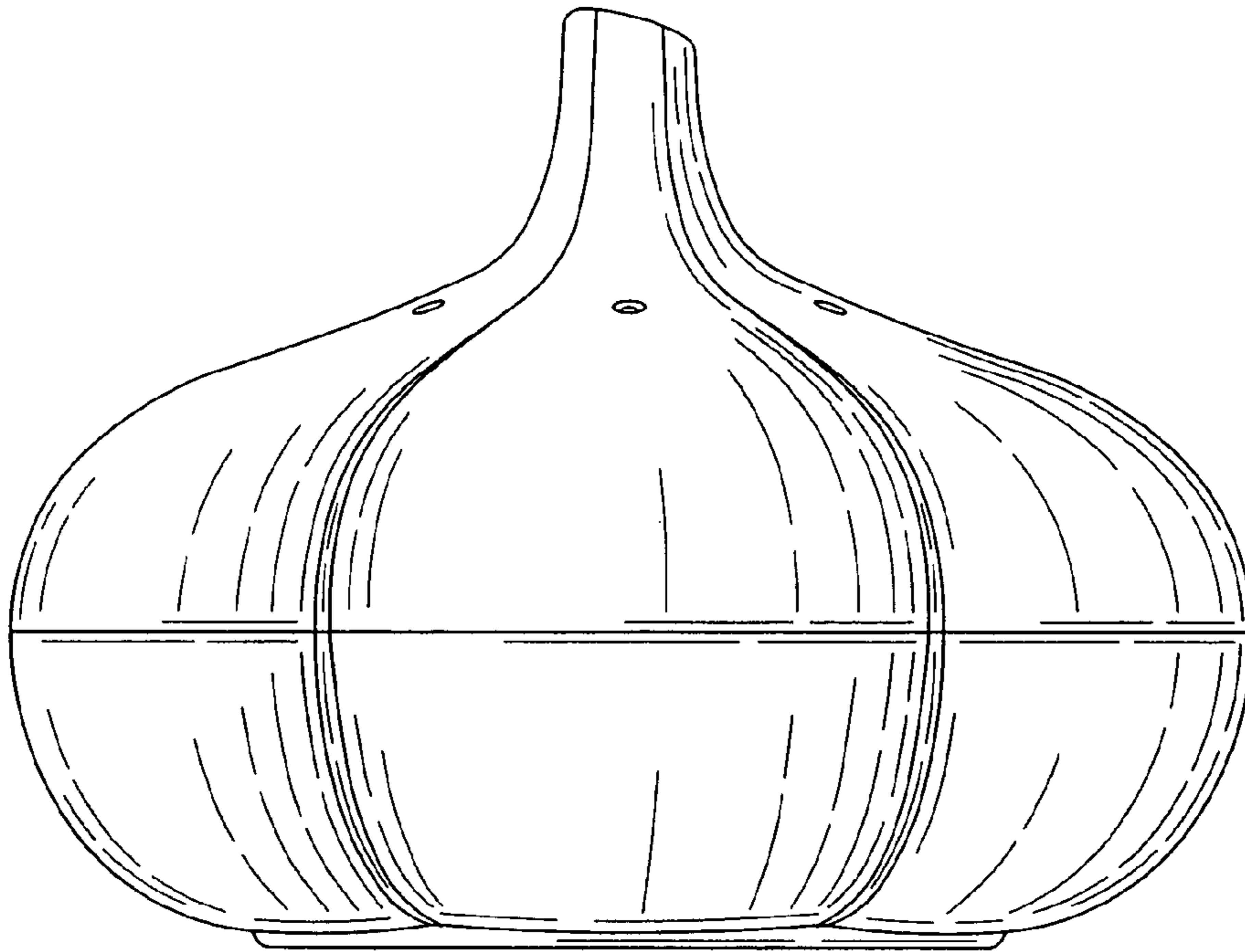


FIG. 5

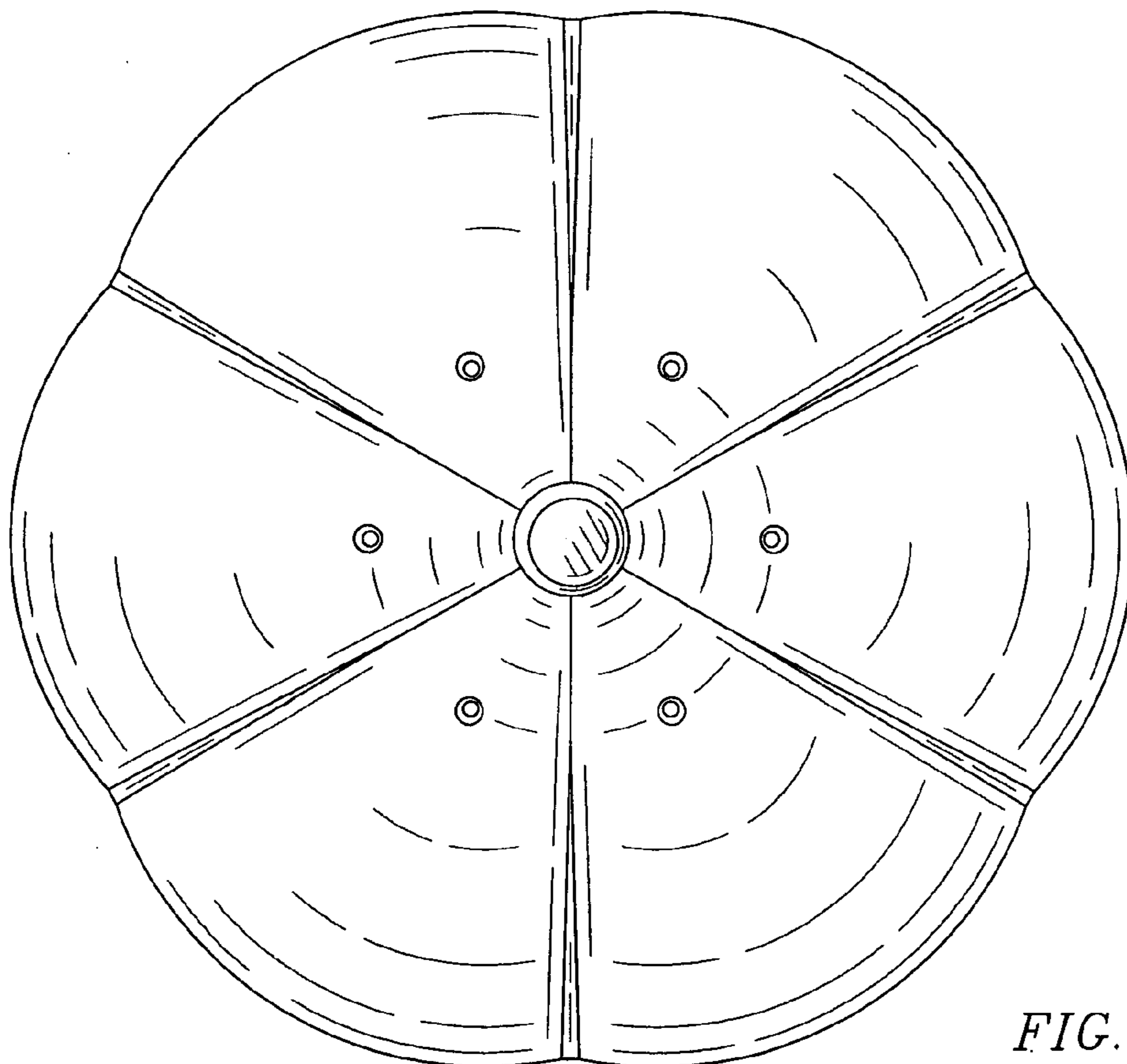


FIG. 6

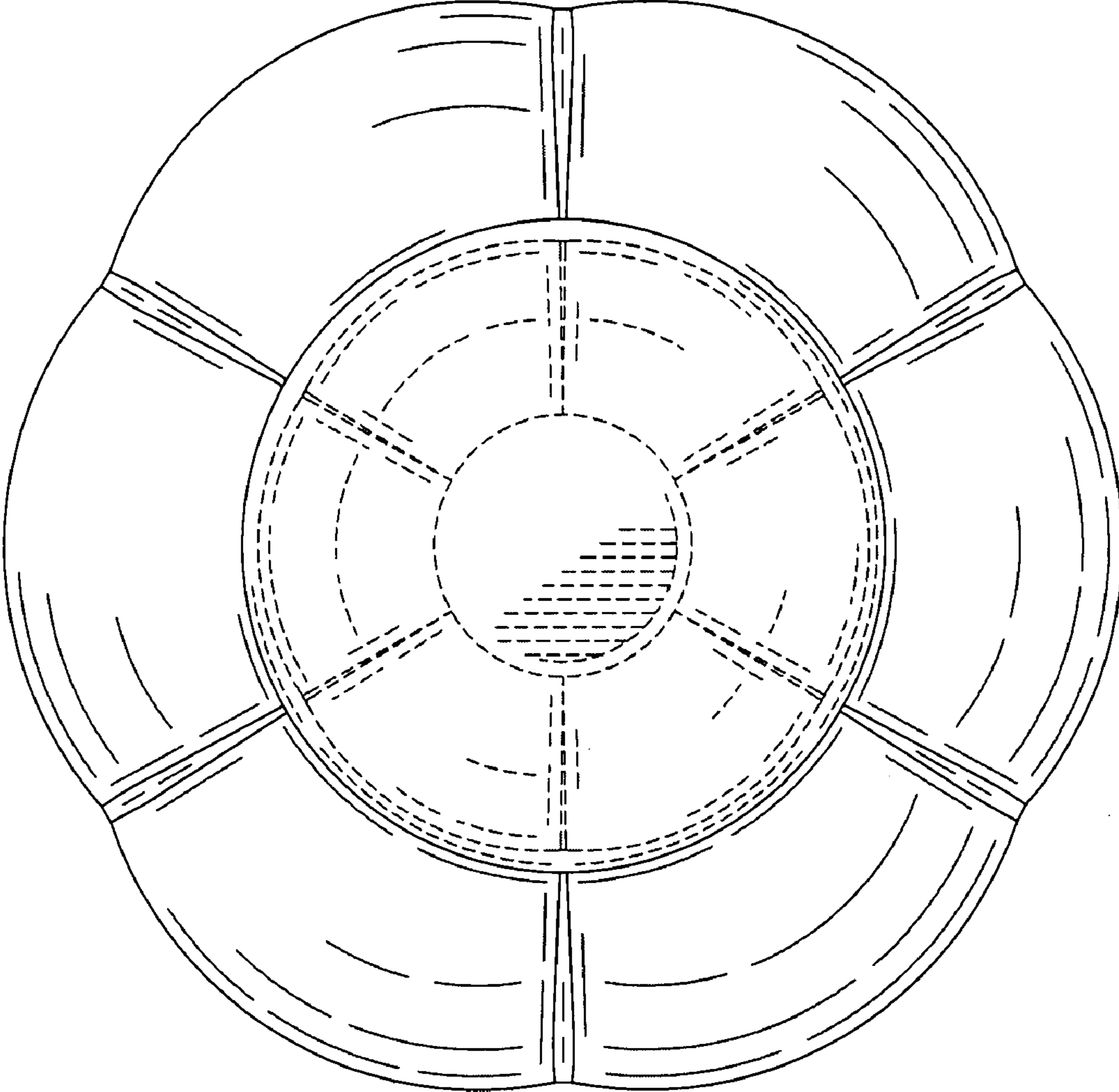


FIG. 7