



US00D594276S

(12) **United States Design Patent**
Hamlin

(10) **Patent No.:** **US D594,276 S**

(45) **Date of Patent:** **** Jun. 16, 2009**

(54) **GRILL PLATE**

(76) **Inventor:** **Edward Hamlin**, 1023 Spring Garden St., Altamonte Springs, FL (US) 32701

(**) **Term:** **14 Years**

(21) **Appl. No.:** **29/308,281**

(22) **Filed:** **Jun. 9, 2008**

(51) **LOC (9) Cl.** **15-05**

(52) **U.S. Cl.** **D7/402**

(58) **Field of Classification Search** D7/402,
D7/405-409; 99/422; 219/450.1; 126/25 R,
126/41 R, 39 H

See application file for complete search history.

(56) **References Cited**

U.S. PATENT DOCUMENTS

D309,235 S *	7/1990	Griffard	D7/409
D323,599 S *	2/1992	Griffard	D7/408
D372,636 S *	8/1996	Neff	D7/402
D380,347 S *	7/1997	Norton	D7/409
D386,945 S *	12/1997	Mendoza et al.	D7/402
D417,124 S *	11/1999	Chen	D7/409
D420,851 S *	2/2000	Wagner et al.	D7/407
D451,334 S *	12/2001	Dillenbeck	D7/354
D468,160 S *	1/2003	Staebler et al.	D7/407
D469,304 S *	1/2003	Becker et al.	D7/407

D483,224 S *	12/2003	Clark	D7/402
D490,645 S *	6/2004	Firlotte	D7/354
D498,387 S *	11/2004	Hojnoski	D7/402
D558,520 S *	1/2008	Raichlen et al.	D7/409
D567,022 S *	4/2008	Spangrud	D7/409
D581,205 S *	11/2008	Simon et al.	D7/354

* cited by examiner

Primary Examiner—Ruth McInroy

(74) *Attorney, Agent, or Firm*—William M. Hobby, III

(57) **CLAIM**

The ornamental design for a grill plate, as shown and described.

DESCRIPTION

FIG. 1 is a top right-side perspective view of a grill plate showing my new design;

FIG. 2 is a bottom left-side perspective view thereof;

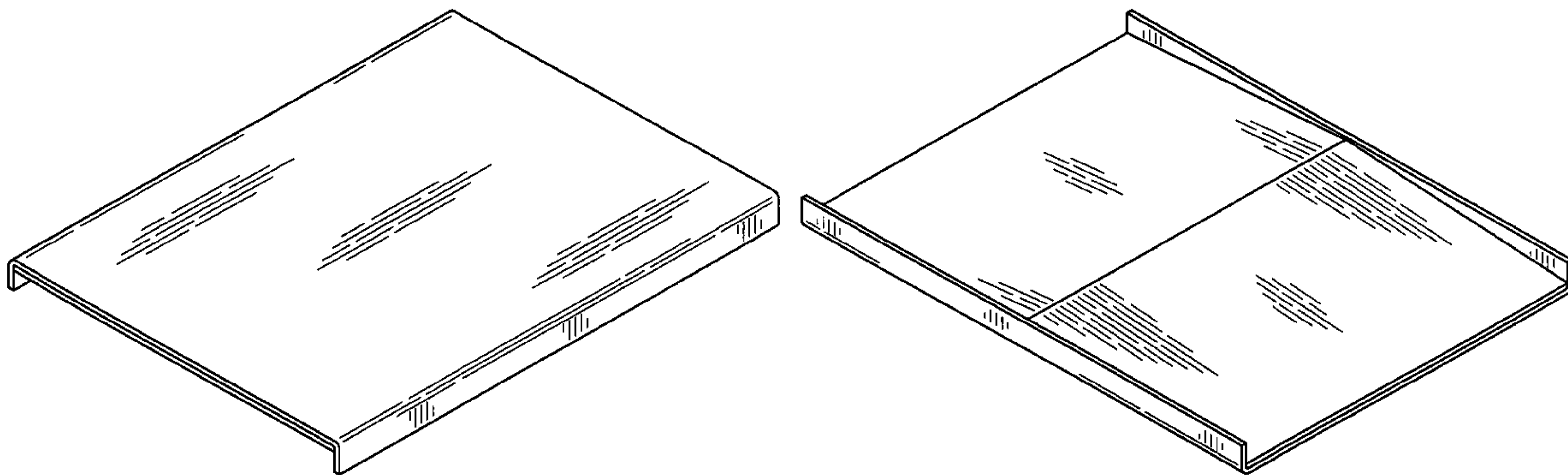
FIG. 3 is a left end elevation view thereof, the right end being identical;

FIG. 4 is a right side elevation view thereof, the left side being identical;

FIG. 5 is a top plan view thereof; and,

FIG. 6 is a bottom plan view thereof.

1 Claim, 2 Drawing Sheets



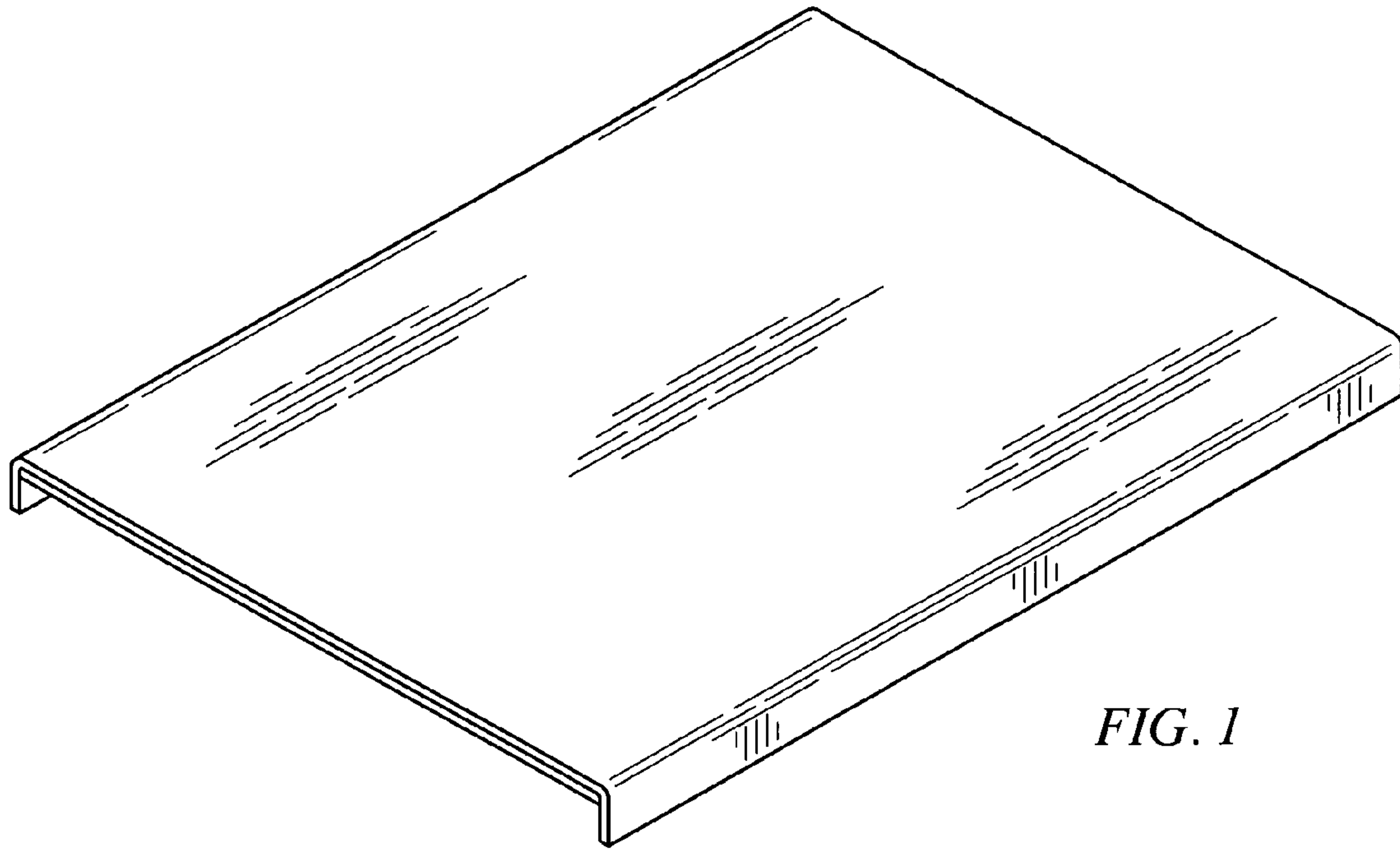


FIG. 1

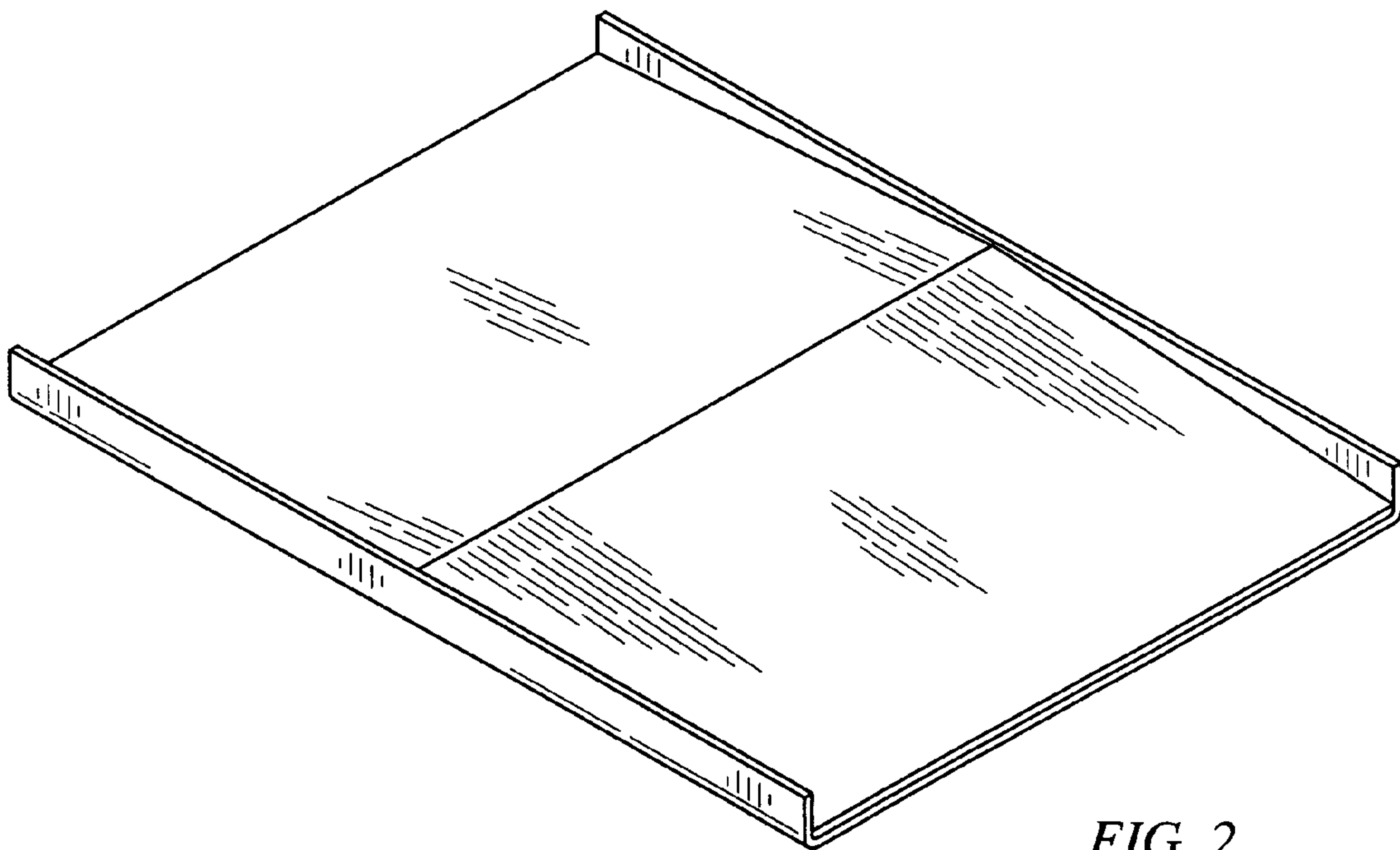


FIG. 2

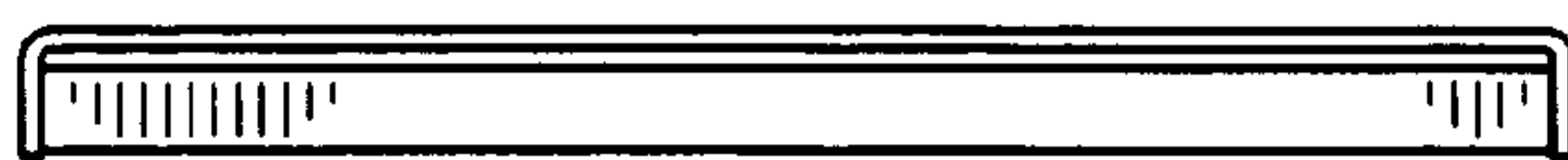


FIG. 3



FIG. 4



FIG. 5

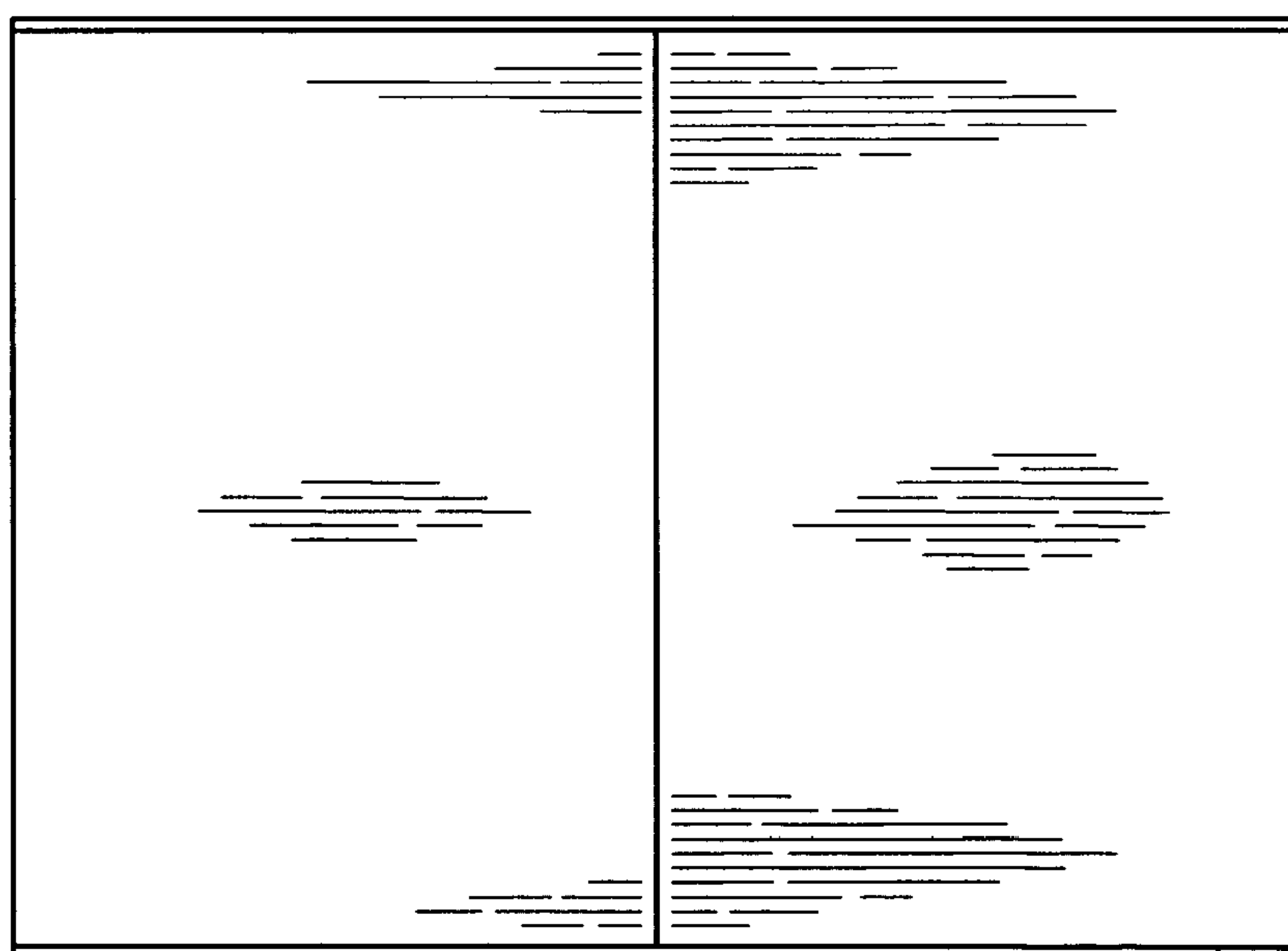


FIG. 6