



US00D594275S

(12) **United States Design Patent**
Wyocik

(10) **Patent No.:** **US D594,275 S**
(45) **Date of Patent:** **** Jun. 16, 2009**

(54) **VARIABLE HEIGHT GRILL TOP DOUBLE SUPPORT**

(76) Inventor: **Mark Wyocik**, 2283 S. Beech Way,
Lakewood, CO (US) 80228

(**) Term: **14 Years**

(21) Appl. No.: **29/308,131**

(22) Filed: **May 30, 2008**

(51) **LOC (9) Cl.** **07-02**

(52) **U.S. Cl.** **D7/402**

(58) **Field of Classification Search** D7/332,
D7/334-337, 402-405, 407; 126/25 R, 29-30,
126/25 A, 25 AA, 9 R, 38, 37 R, 41 R, 40,
126/39 E, 39 H, 50, 276, 268, 519, 506; 99/481-482,
99/646 R; 248/351, 354.1, 354.3, 354.5,
248/354.6; 292/338

See application file for complete search history.

(56) **References Cited**

U.S. PATENT DOCUMENTS

4,584,984	A *	4/1986	Croft	126/25 R
D291,648	S *	9/1987	Pring	D7/403
D301,673	S *	6/1989	Ogden	D7/402
4,895,130	A *	1/1990	Staschke	126/25 R
D317,239	S *	6/1991	Croft	D7/402
D396,169	S *	7/1998	Williamson	D7/402
D422,178	S *	4/2000	Persson	D7/403
6,176,232	B1 *	1/2001	Corcoran	126/25 R
6,705,306	B1 *	3/2004	Dickey	126/25 R
6,922,033	B2 *	7/2005	Ziegenhorn et al.	318/445

2004/0094141	A1 *	5/2004	Herring	126/25 R
2007/0044785	A1 *	3/2007	Malafouris	126/25 R
2008/0272263	A1 *	11/2008	Macken	248/351

* cited by examiner

Primary Examiner—Ruth McInroy

(74) *Attorney, Agent, or Firm*—Scott L. Terrell, P.C.; Scott L. Terrell

(57) **CLAIM**

The ornamental design for a variable height grill top double support, as shown, and described.

DESCRIPTION

FIG. 1 is a perspective view of the variable height grill top double support.

FIG. 2 is a top view of the variable height grill top double support.

FIG. 3 is a bottom view of the variable height grill top double support.

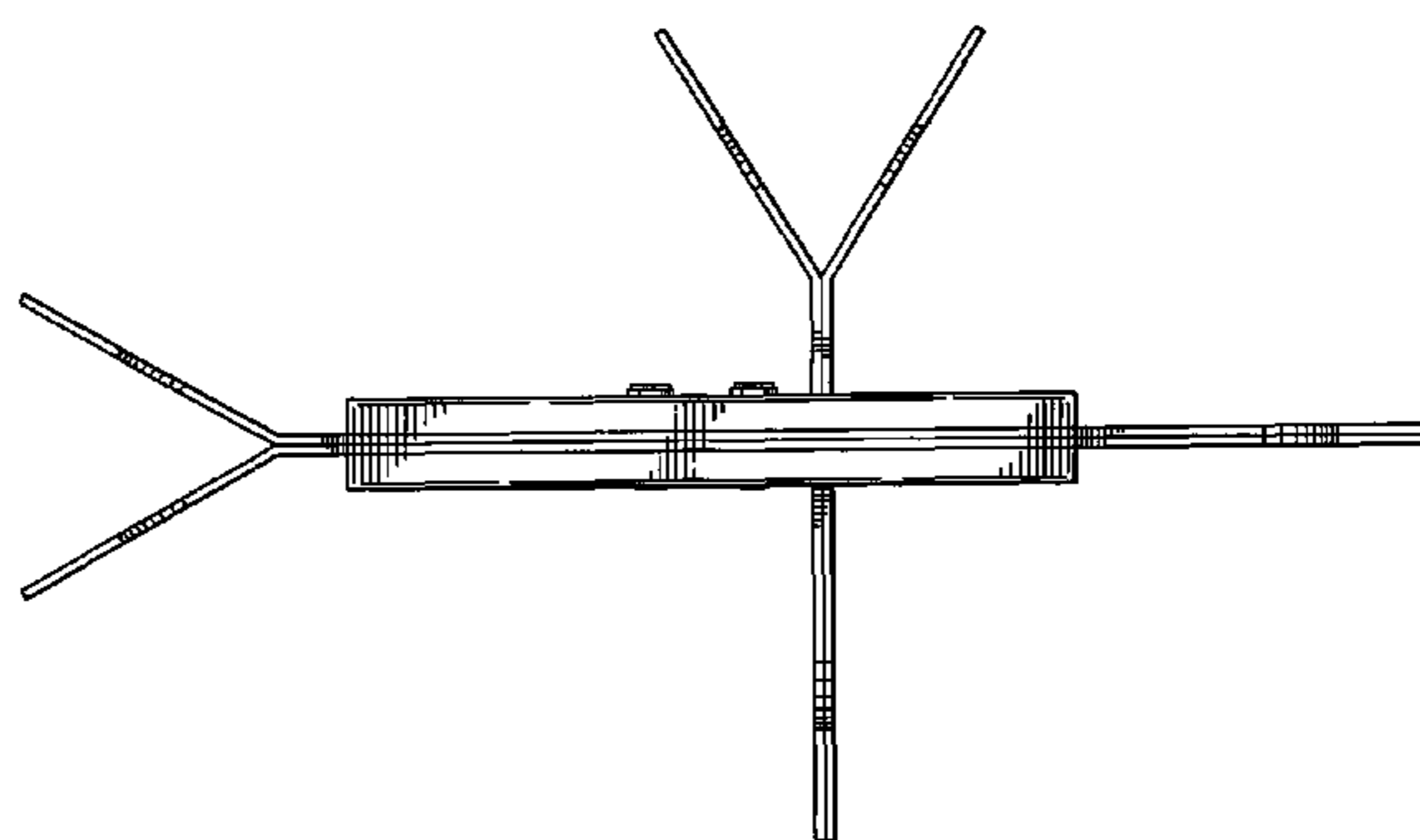
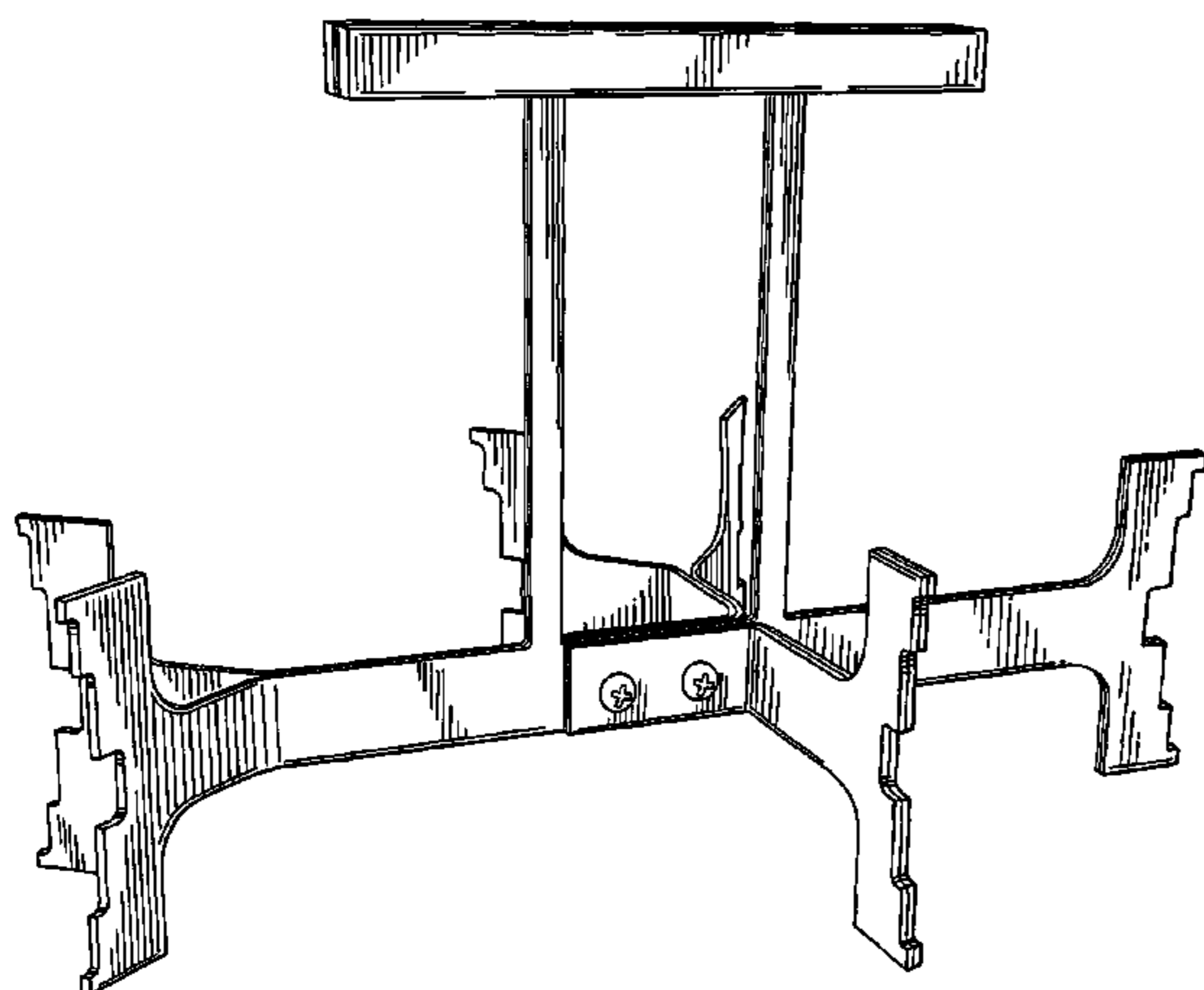
FIG. 4 is a front view of the variable height grill top double support.

FIG. 5 is a back view of the variable height grill top double support.

FIG. 6 is a left side view of the variable height grill top double support; and,

FIG. 7 is a right side view of the variable height grill top double support.

1 Claim, 4 Drawing Sheets



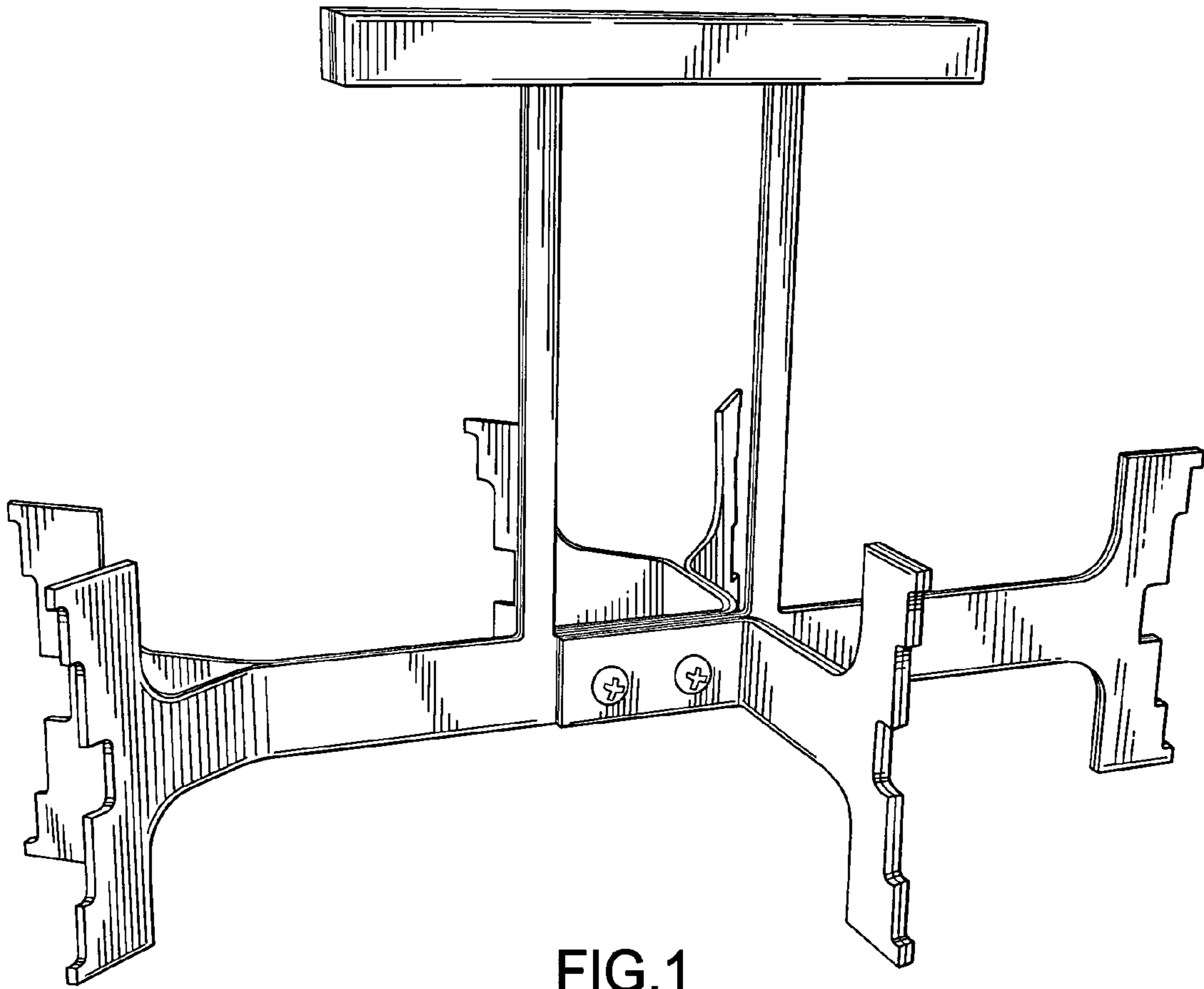


FIG. 1

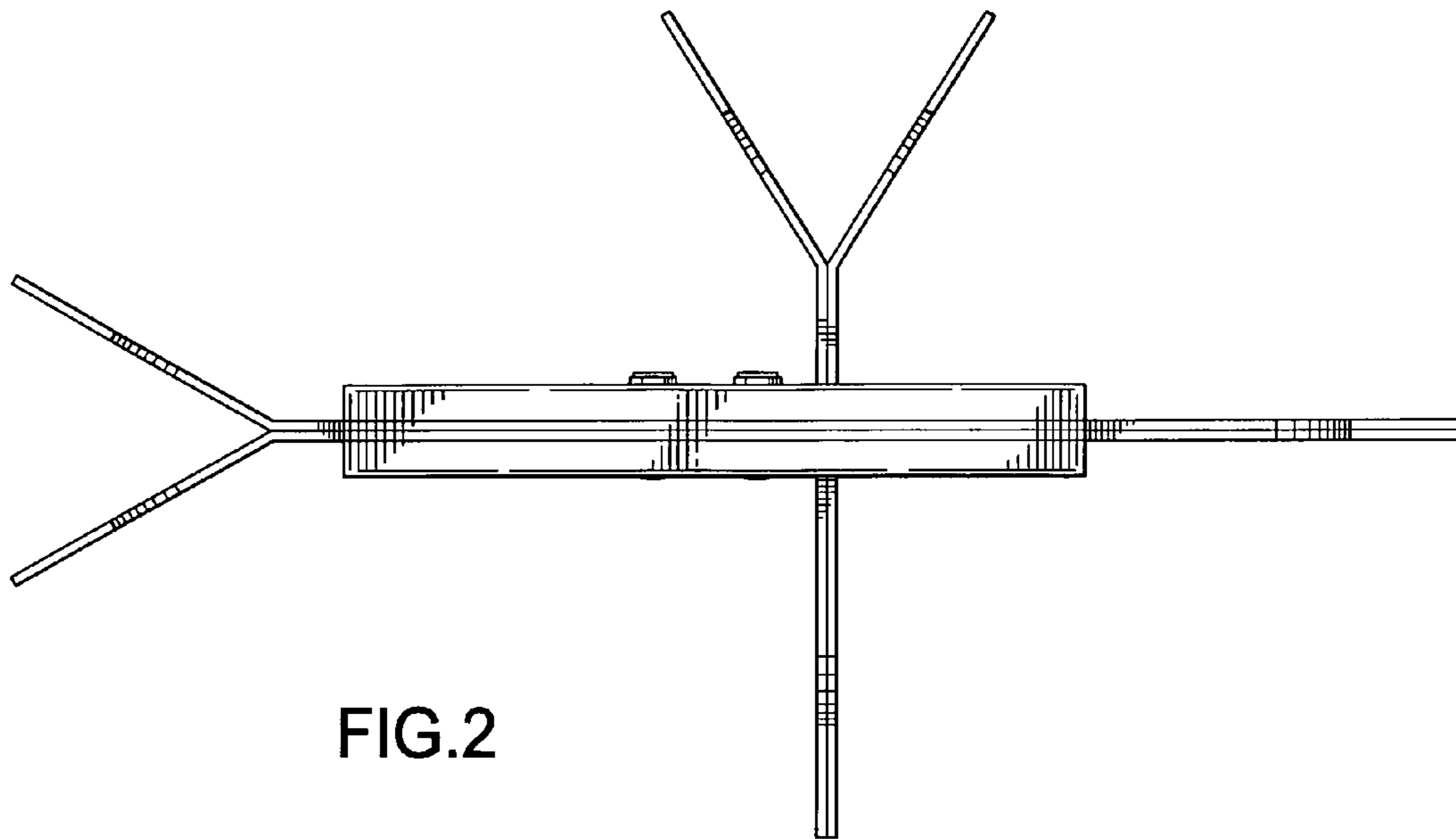


FIG. 2

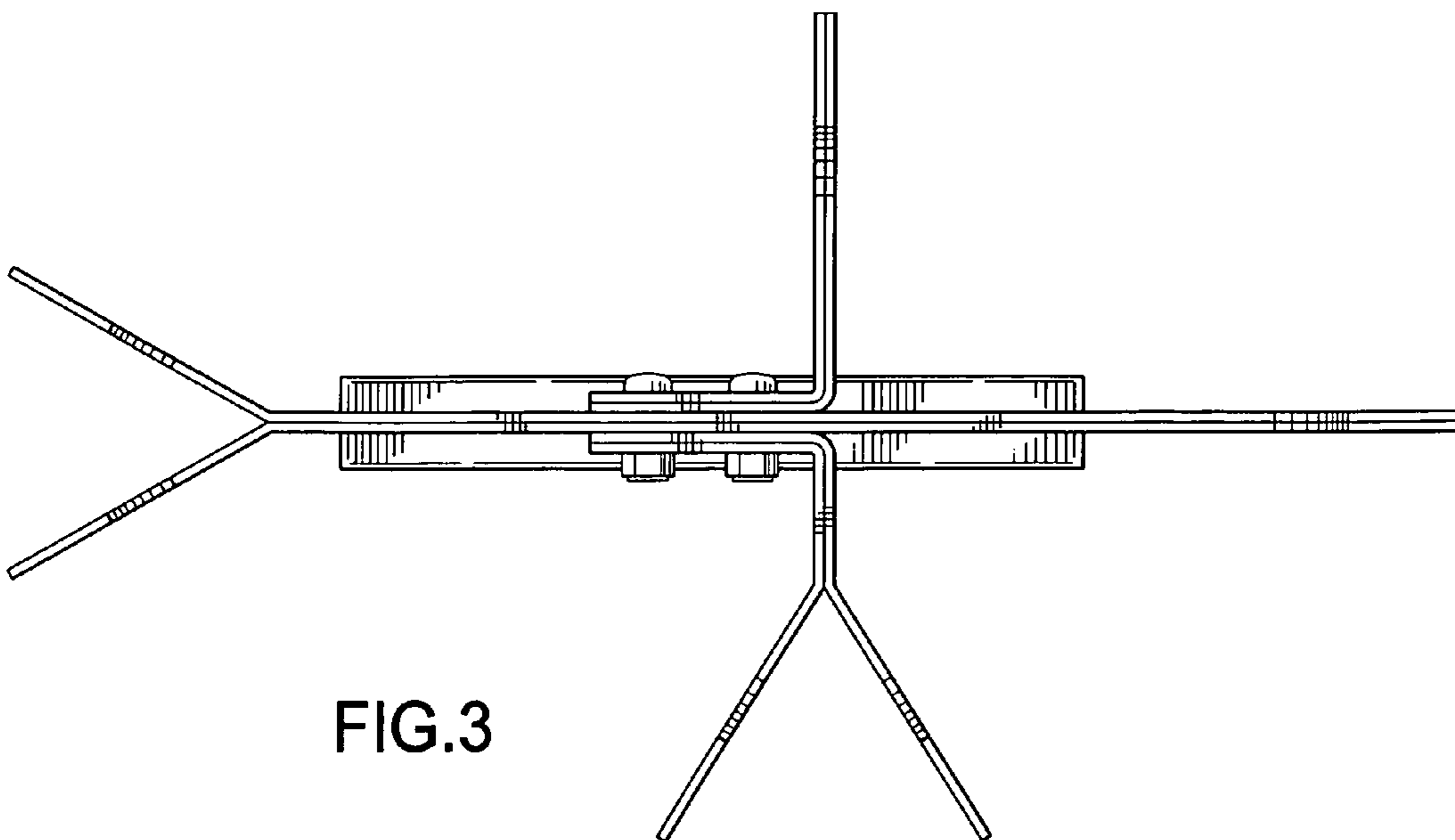


FIG. 3

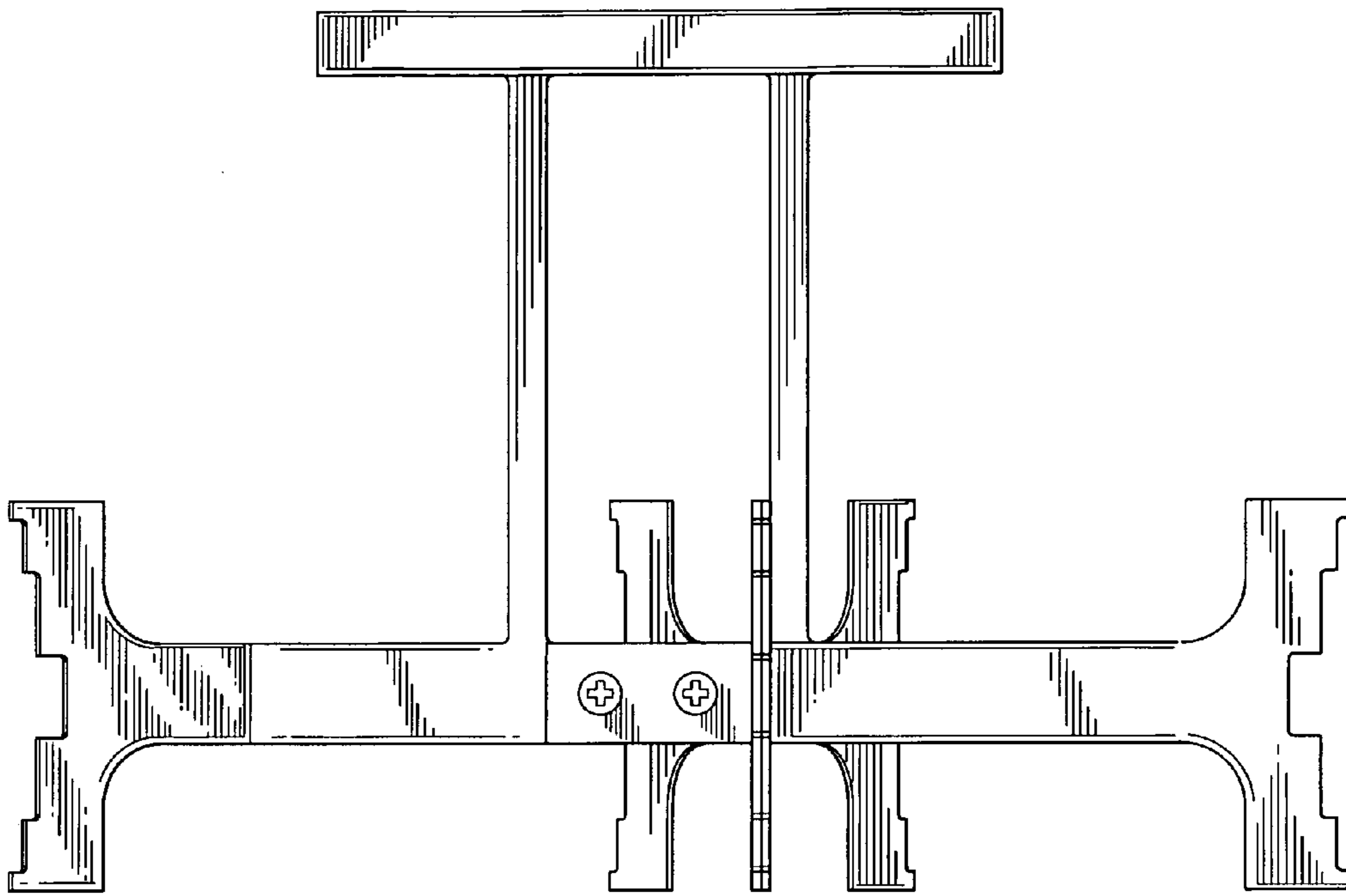


FIG.4

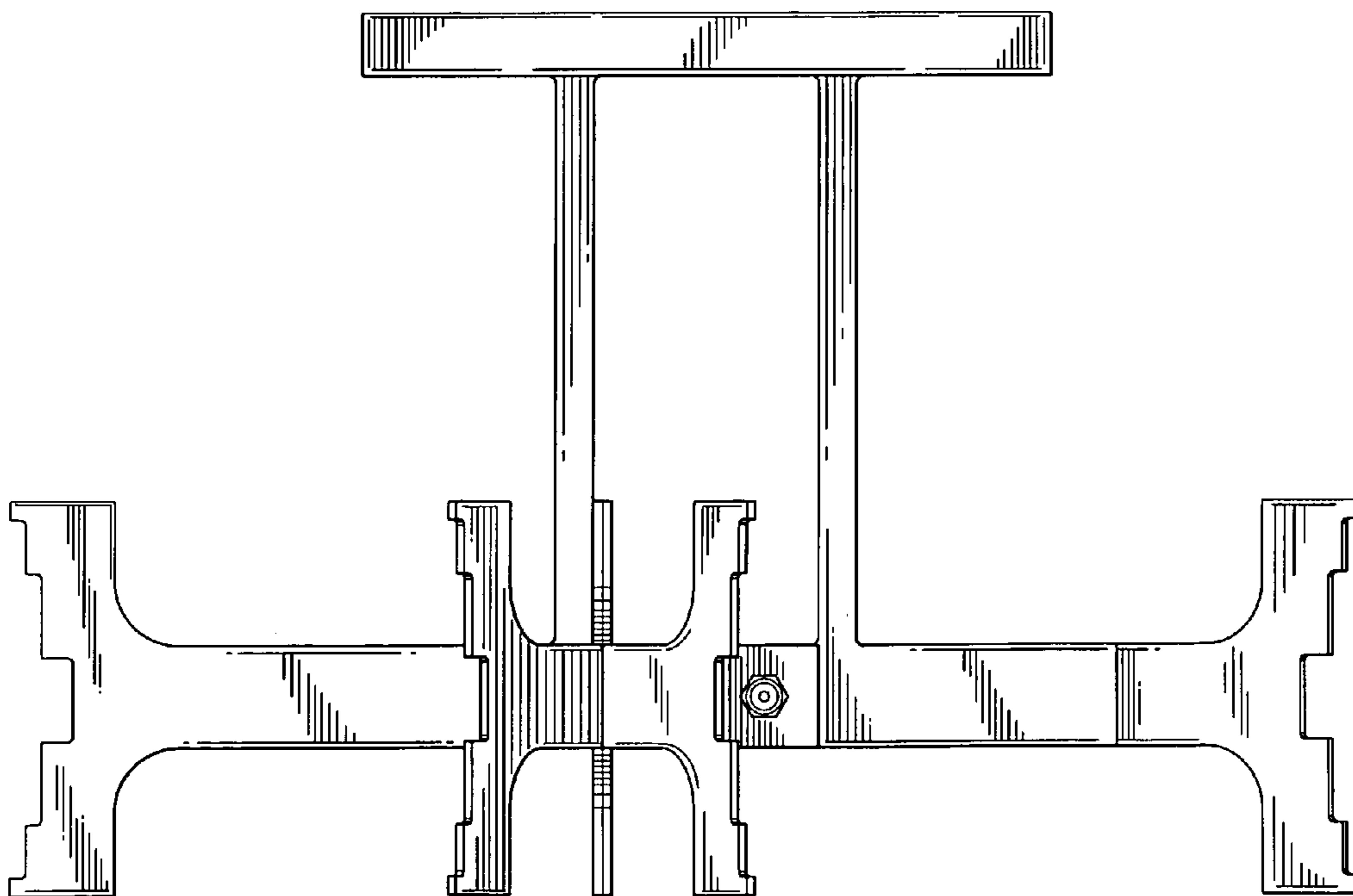


FIG.5

FIG.6

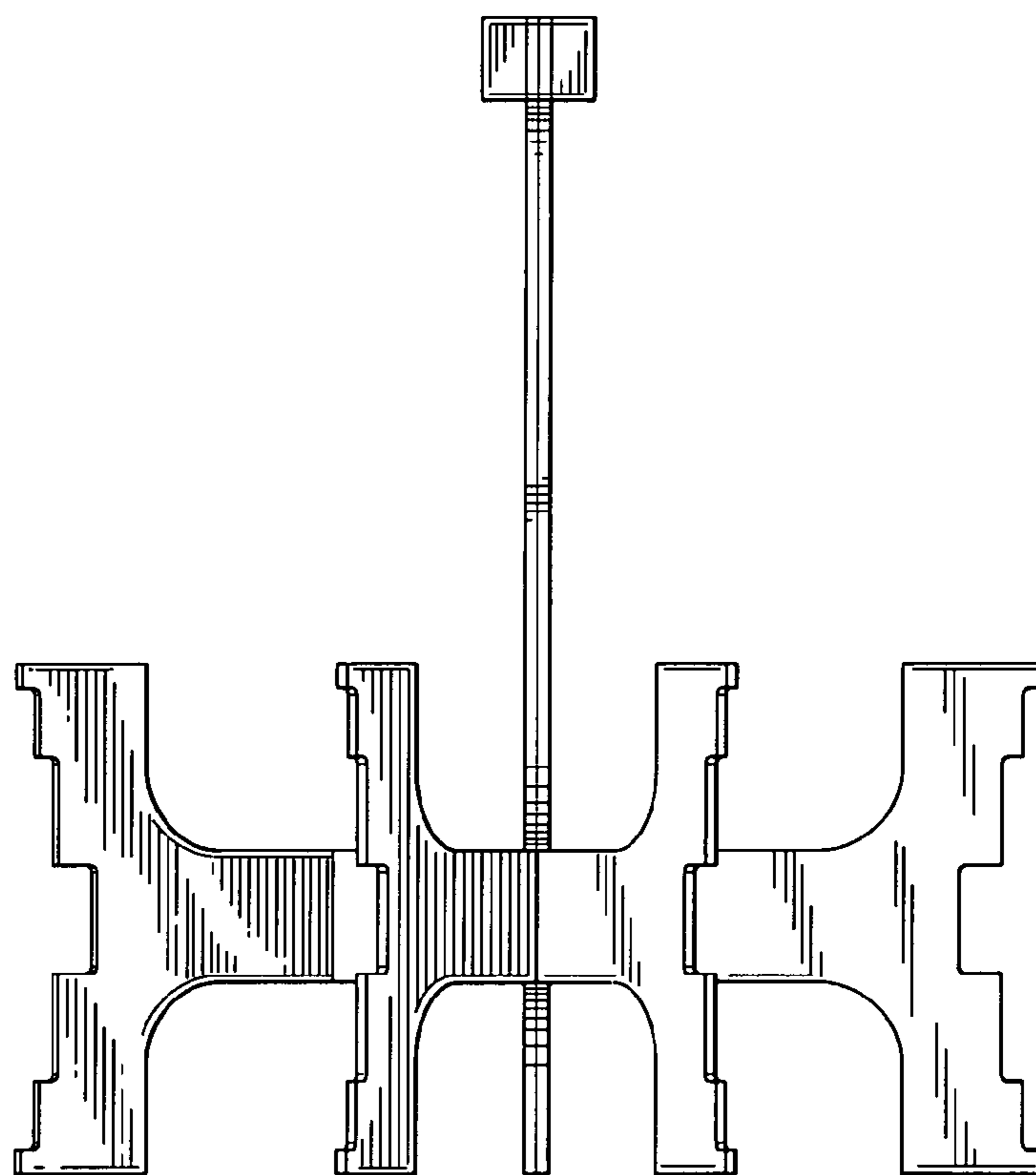


FIG.7

