



US00D594270S

(12) **United States Design Patent**  
**Rae**

(10) **Patent No.:** **US D594,270 S**  
(45) **Date of Patent:** **\*\* Jun. 16, 2009**

(54) **PEDESTAL BASE FOR COOKWARE**

(75) Inventor: **Robert A Rae**, Las Vegas, NV (US)

(73) Assignee: **Meyer Intellectual Properties Limited**  
(VG)

(\*\*) Term: **14 Years**

(21) Appl. No.: **29/313,219**

(22) Filed: **Dec. 16, 2008**

D310,324 S *	9/1990	Bernacchi et al.	.....	D8/399
D379,922 S *	6/1997	Adams	.....	D8/402
5,743,506 A *	4/1998	Adams	.....	248/346.11
D395,195 S *	6/1998	Heiberg et al.	.....	D7/391
5,869,120 A *	2/1999	Blazevich	.....	426/132
D409,878 S *	5/1999	Burton	.....	D7/410
D455,675 S *	4/2002	Rose	.....	D11/164
D458,796 S *	6/2002	Kellermann	.....	D7/360
D458,798 S *	6/2002	Kellermann	.....	D7/360
D489,972 S *	5/2004	Lin	.....	D7/553.6
D516,867 S *	3/2006	Martin et al.	.....	D7/586
D586,612 S *	2/2009	Rae	.....	D7/354
2003/0006151 A1 *	1/2003	Lin	.....	206/216

**Related U.S. Application Data**

(63) Continuation-in-part of application No. 29/304,851,  
filed on Mar. 7, 2008, now Pat. No. Des. 586,612.

(51) **LOC (9) Cl.** ..... **07-02**

(52) **U.S. Cl.** ..... **D7/354**

(58) **Field of Classification Search** ..... D7/323,  
D7/352-361, 365, 378-379, 383-388, 391-391.6,  
D7/402, 410, 553.6, 586; D8/399-402; D9/452-454;  
D11/152, 164; D27/133; D99/25, 34; 99/324,  
99/339; 108/139; 206/216; 220/203.01,  
220/377, 573.1-574, 769, 912; 248/346.11;  
426/132

See application file for complete search history.

(56) **References Cited**

**U.S. PATENT DOCUMENTS**

D27,936 S *	12/1897	Coffman	.....	D7/359
D30,175 S *	2/1899	Wagner	.....	D99/34
846,948 A *	3/1907	Richter	.....	108/139
D120,409 S *	5/1940	Myers	.....	D27/133
2,423,963 A *	7/1947	Coffman	.....	99/349
D169,799 S *	6/1953	Bourne-Vanneck	.....	D7/388
D291,271 S *	8/1987	Wilson	.....	D7/379

\* cited by examiner

*Primary Examiner*—Caron Veynar

*Assistant Examiner*—Ricky Pham

(74) *Attorney, Agent, or Firm*—Edward S. Sherman

(57) **CLAIM**

The ornamental design for a pedestal base for cookware, as shown and described.

**DESCRIPTION**

FIG. 1 is a top perspective view from above the “pedestal base for cookware”, showing my new design;

FIG. 2 is a top plan view thereof;

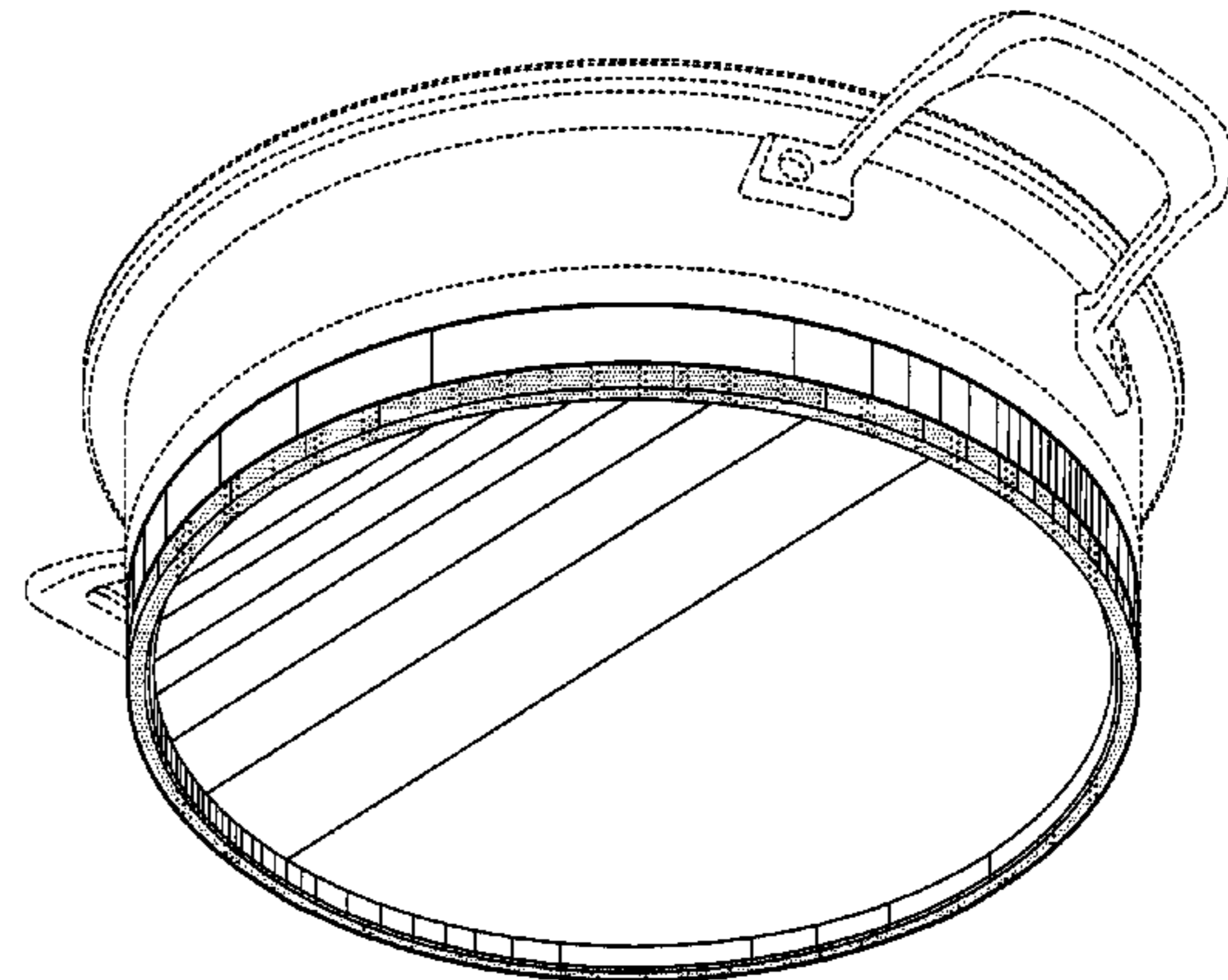
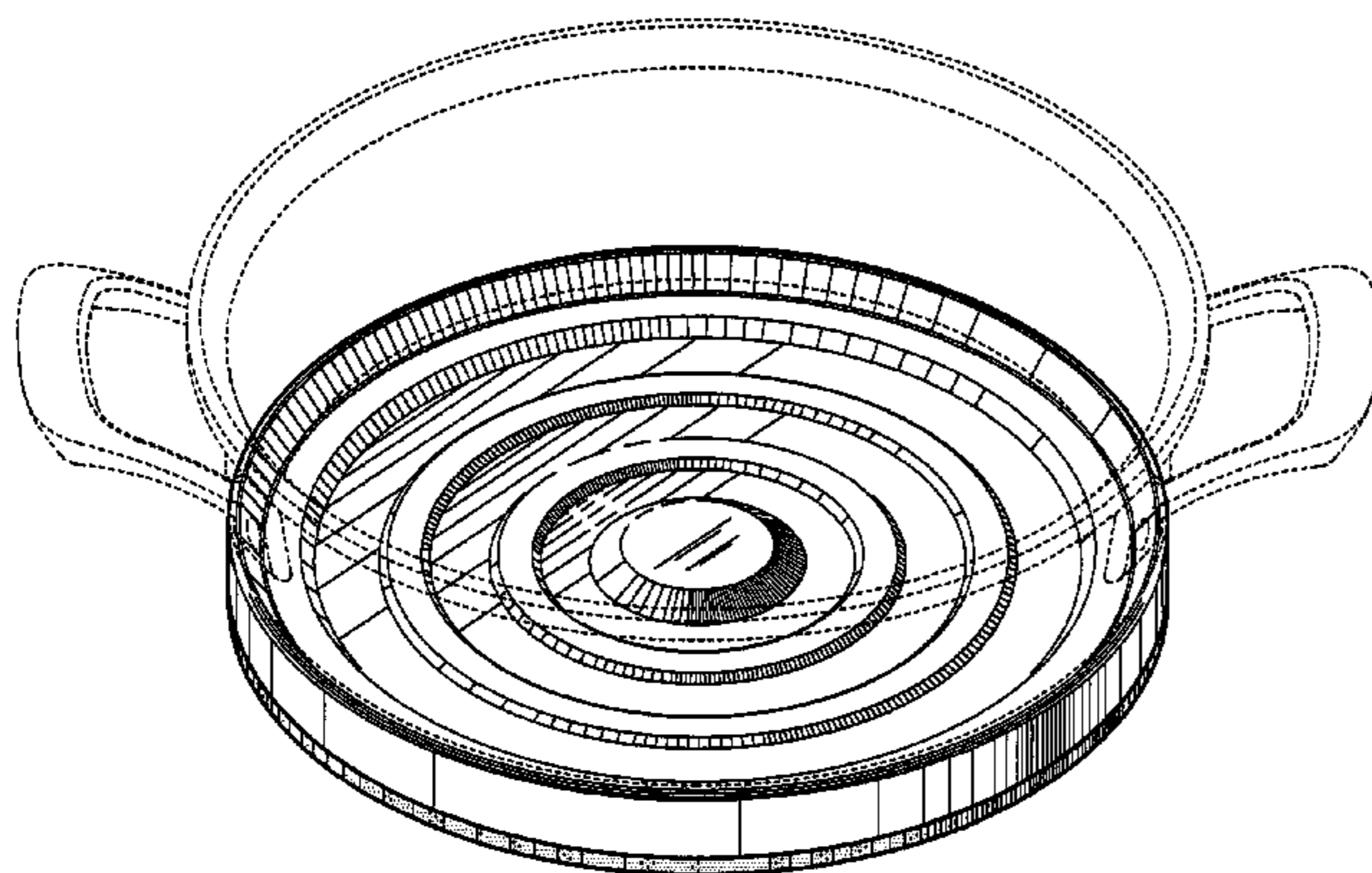
FIG. 3 is an elevational view thereof;

FIG. 4 is a bottom perspective view thereof; and,

FIG. 5 is a bottom plan view.

The broken lines in FIGS. 1-5 are for illustrative purposes only, depicting the environment of the new design, forming no part thereof as claimed.

**1 Claim, 5 Drawing Sheets**



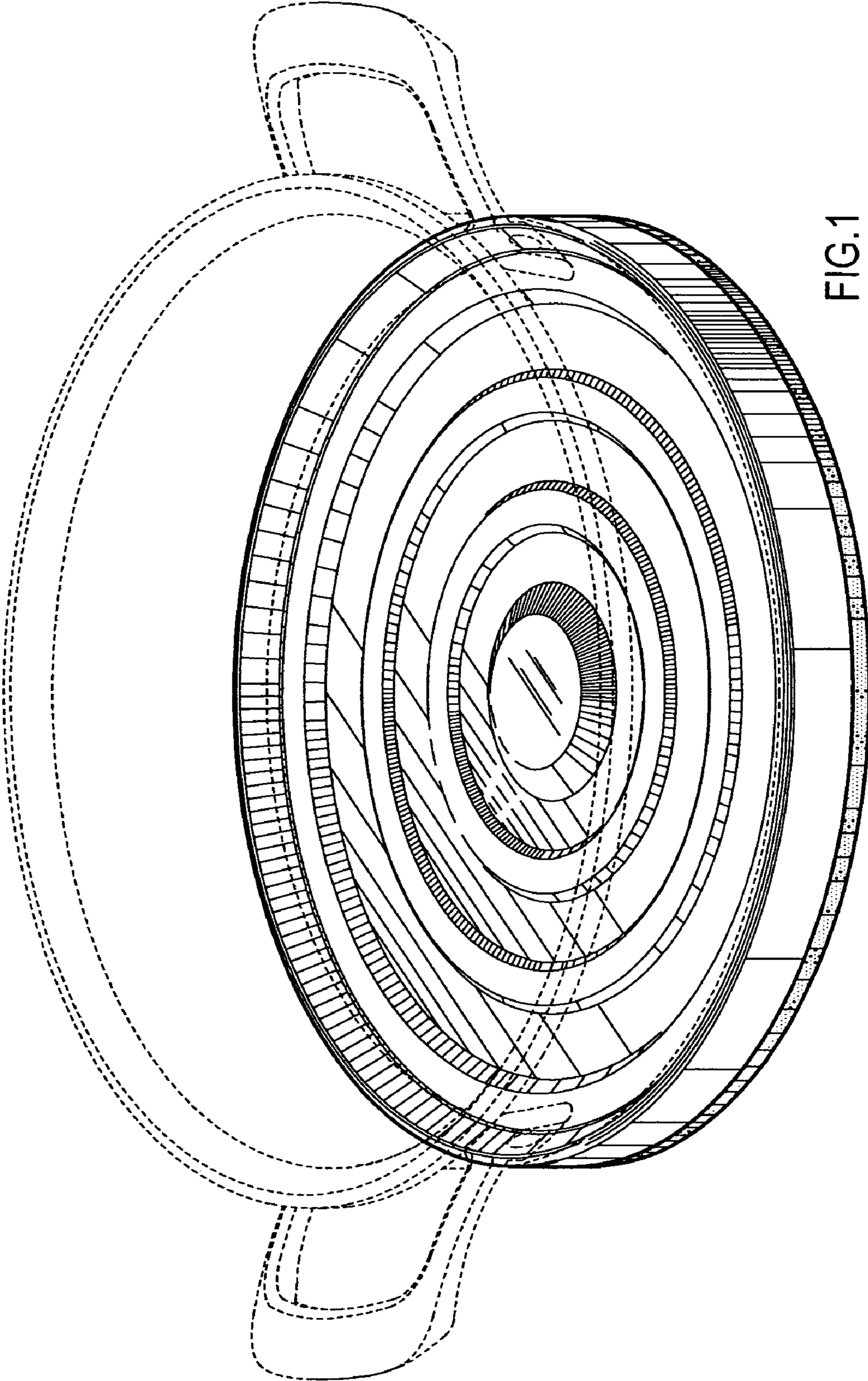


FIG.1

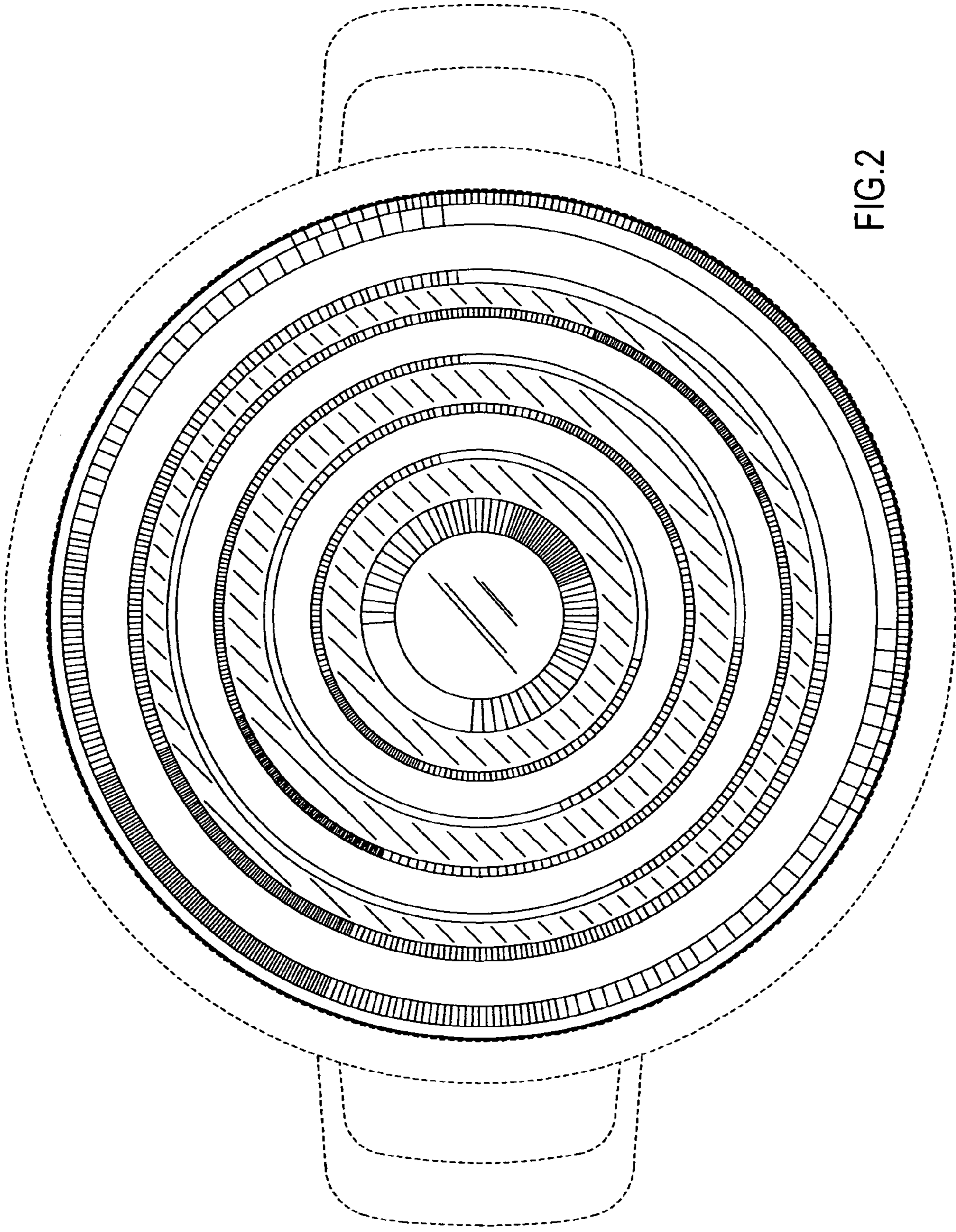


FIG.2

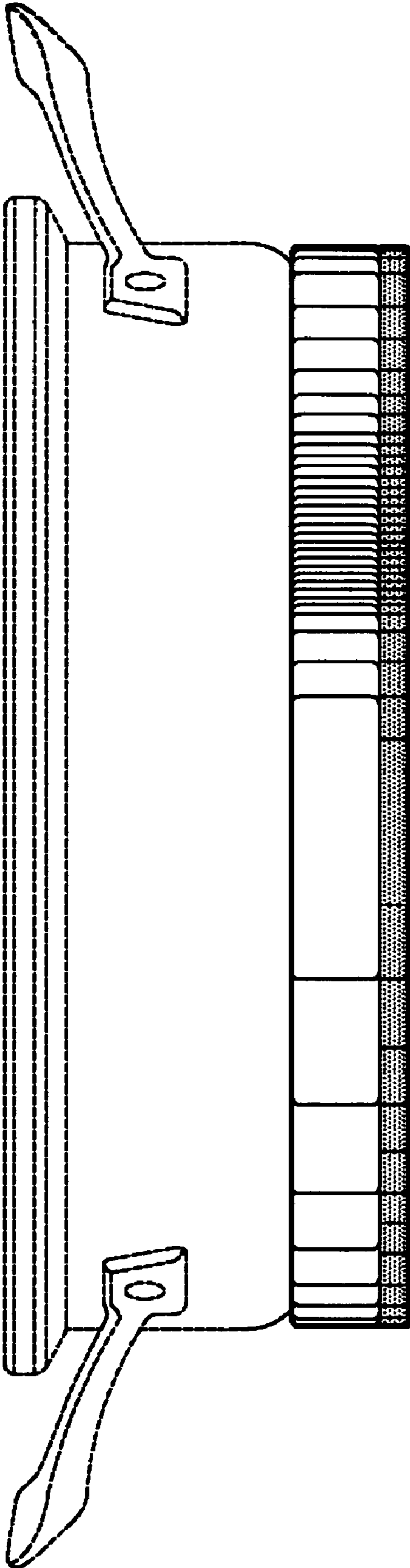


FIG. 3

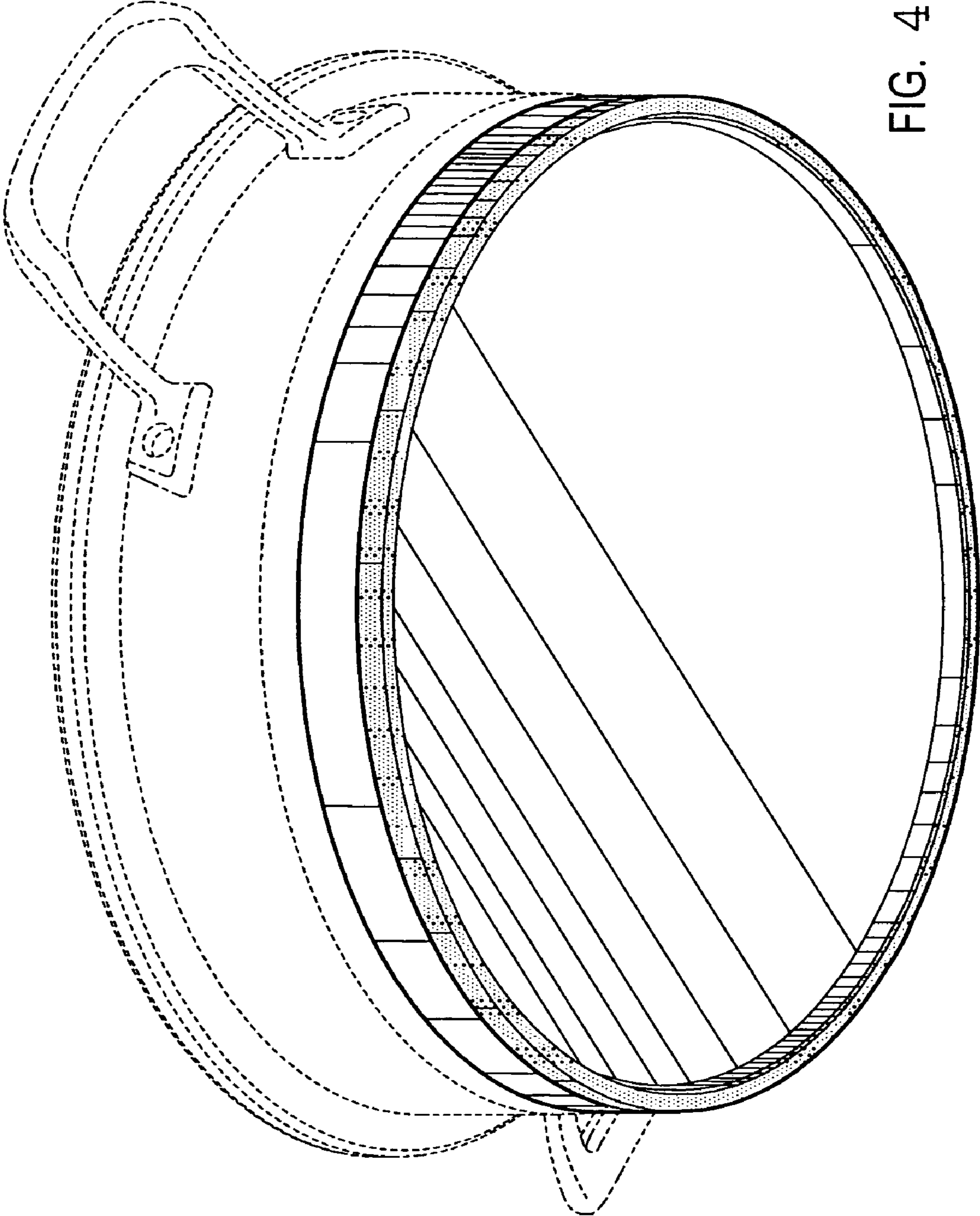


FIG. 4

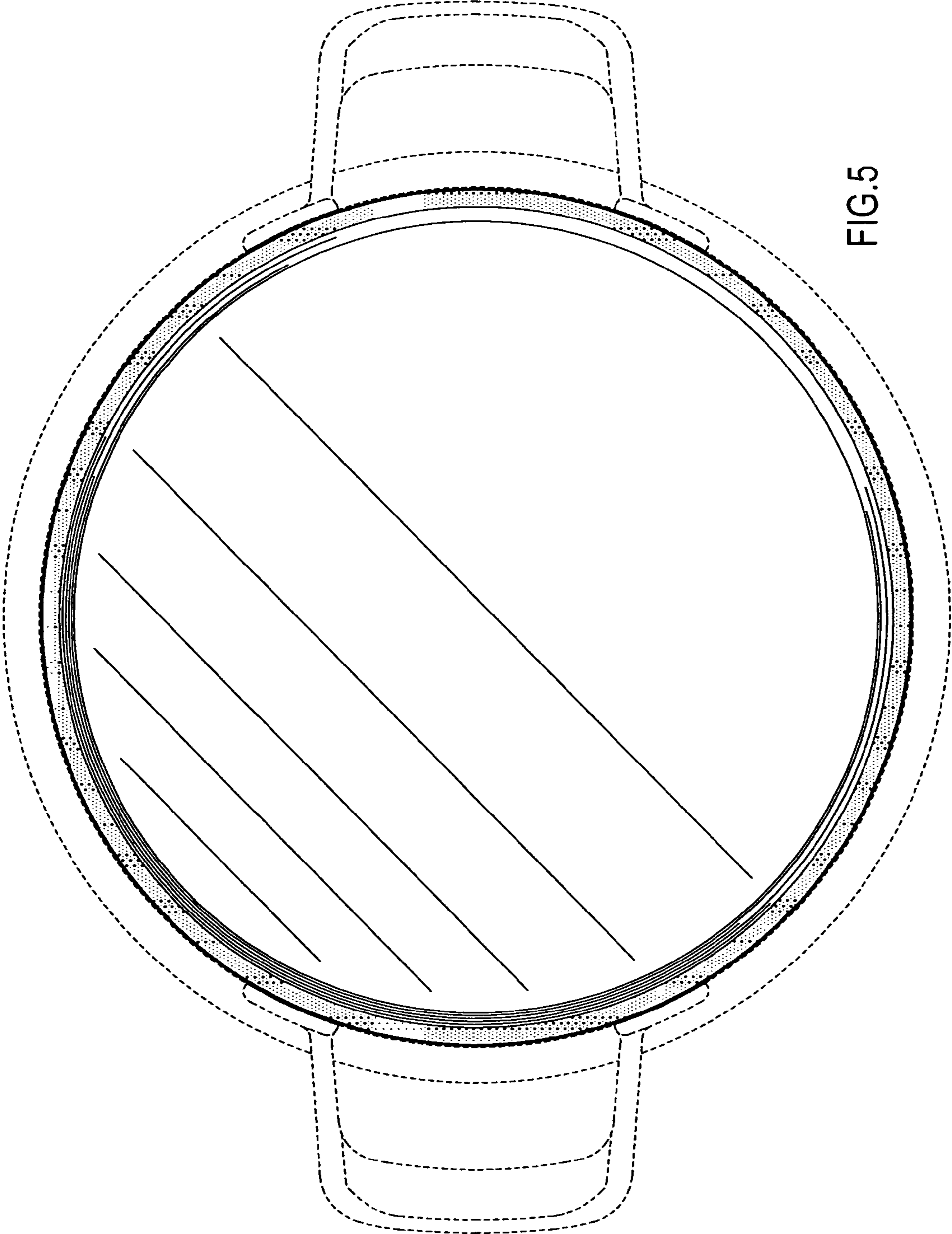


FIG.5