



US00D594269S

(12) **United States Design Patent**
Lavy

(10) **Patent No.:** **US D594,269 S**
(45) **Date of Patent:** **** Jun. 16, 2009**

(54) **TOASTER**

(76) Inventor: **Danny Lavy**, 775 Lexington Ave.,
Westmont, Quebec (CA) H3Y 1K9

(**) Term: **14 Years**

(21) Appl. No.: **29/320,848**

(22) Filed: **Jul. 7, 2008**

(51) **LOC (9) Cl.** **07-02**

(52) **U.S. Cl.** **D7/330**

(58) **Field of Classification Search** D7/323,
D7/328–333, 340–341, 346, 354–365, 367,
D7/385, 390, 402, 405–411; D13/158, 162,
D13/162.1, 163; 99/331–332, 357, 375,
99/385; 219/214, 388, 405, 443.1, 450.1,
219/492, 532

See application file for complete search history.

(56) **References Cited**

U.S. PATENT DOCUMENTS

| | | | | |
|--------------|--------|---------------|-------|--------|
| D427,006 S * | 6/2000 | Chedal Anglay | | D7/330 |
| D477,495 S * | 7/2003 | To | | D7/330 |
| D522,305 S * | 6/2006 | Morgan | | D7/330 |
| D525,475 S * | 7/2006 | Yeung | | D7/330 |
| D562,054 S * | 2/2008 | Verdun | | D7/330 |

* cited by examiner

Primary Examiner—Caron Veynar
Assistant Examiner—Ricky Pham

(74) *Attorney, Agent, or Firm*—Cook Alex Ltd.

(57) **CLAIM**

The ornamental design for a toaster, as shown and described.

DESCRIPTION

FIG. 1 is a front perspective view of a toaster showing my new design;

FIG. 2 is a slight top front perspective view of the toaster shown in FIG. 1;

FIG. 3 is a slight top rear perspective view of the toaster shown in FIG. 1;

FIG. 4 is a top plan view of the toaster shown in FIG. 1;

FIG. 5 is a front perspective view of an alternative toaster showing my new design;

FIG. 6 is a slight top front perspective view of the toaster shown in FIG. 5;

FIG. 7 is a slight top rear perspective view of the toaster shown in FIG. 5;

FIG. 8 is a top plan view of the toaster shown in FIG. 5;

FIG. 9 is a left side elevational view of the toasters shown in FIGS. 1 and 5; and,

FIG. 10 is a right side elevational view of the toasters shown in FIGS. 1 and 5.

The broken lines shown in the Figures are used for illustrative purposes only and form no part of the claimed design.

1 Claim, 7 Drawing Sheets

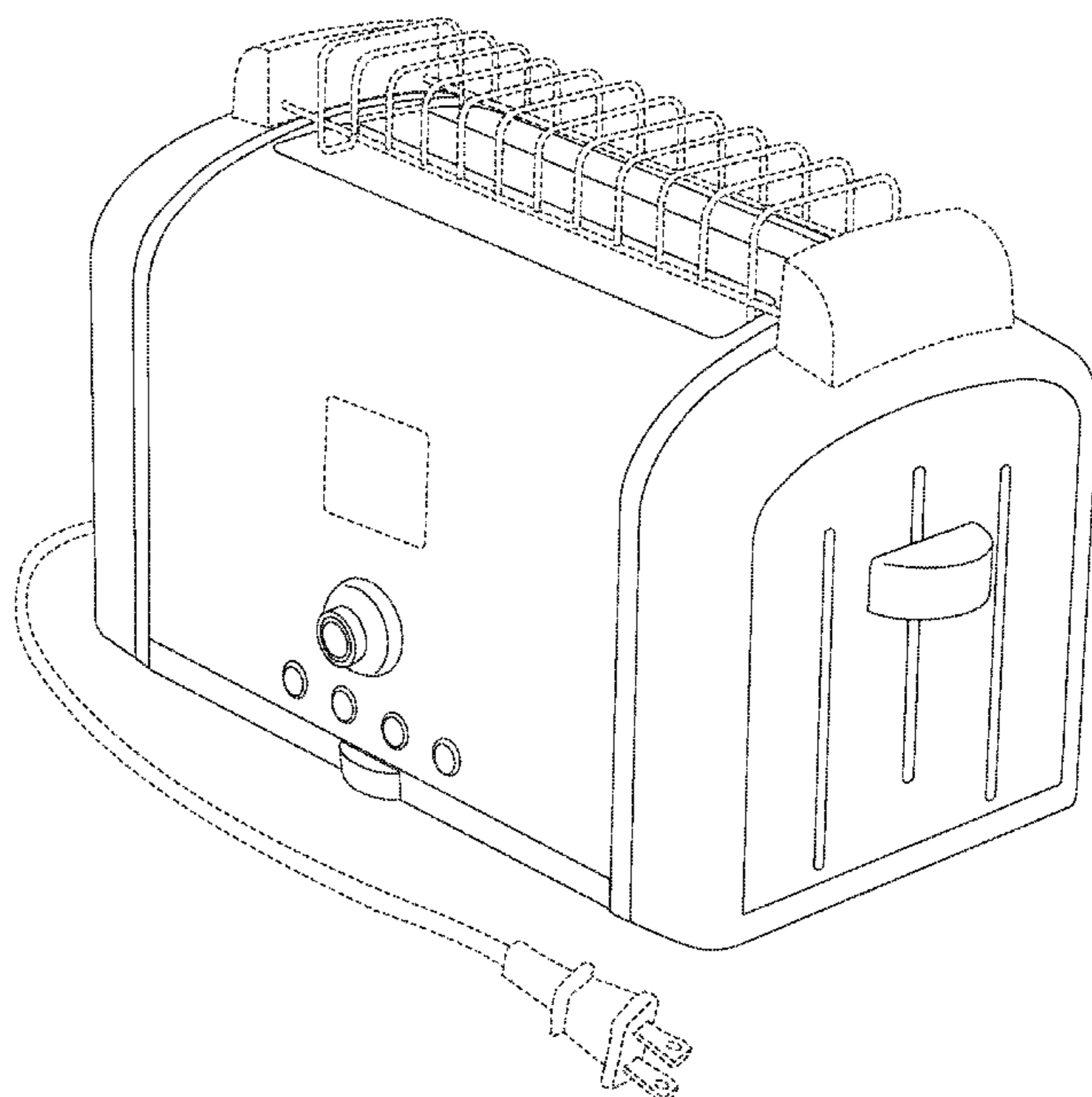
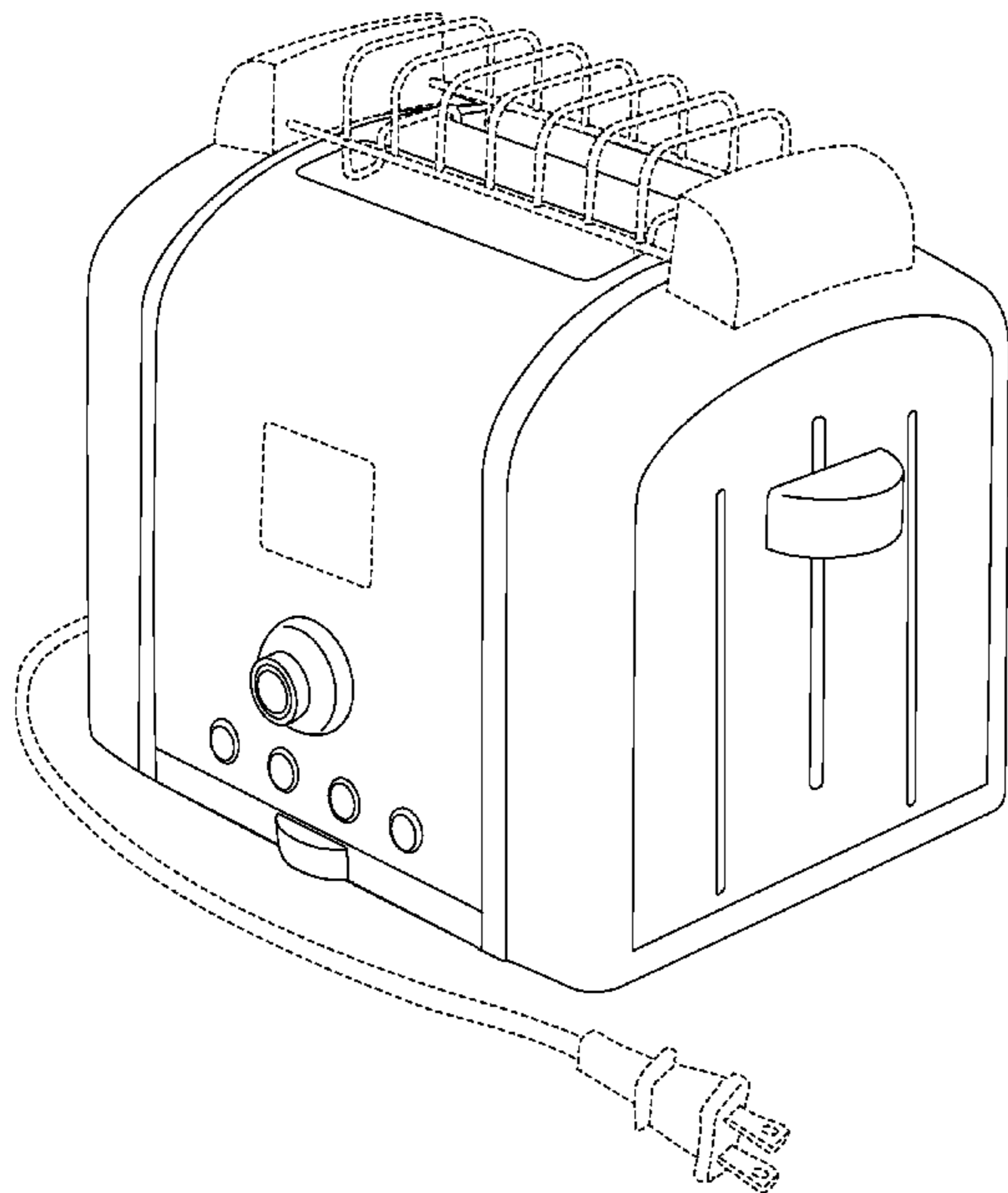


FIGURE 1

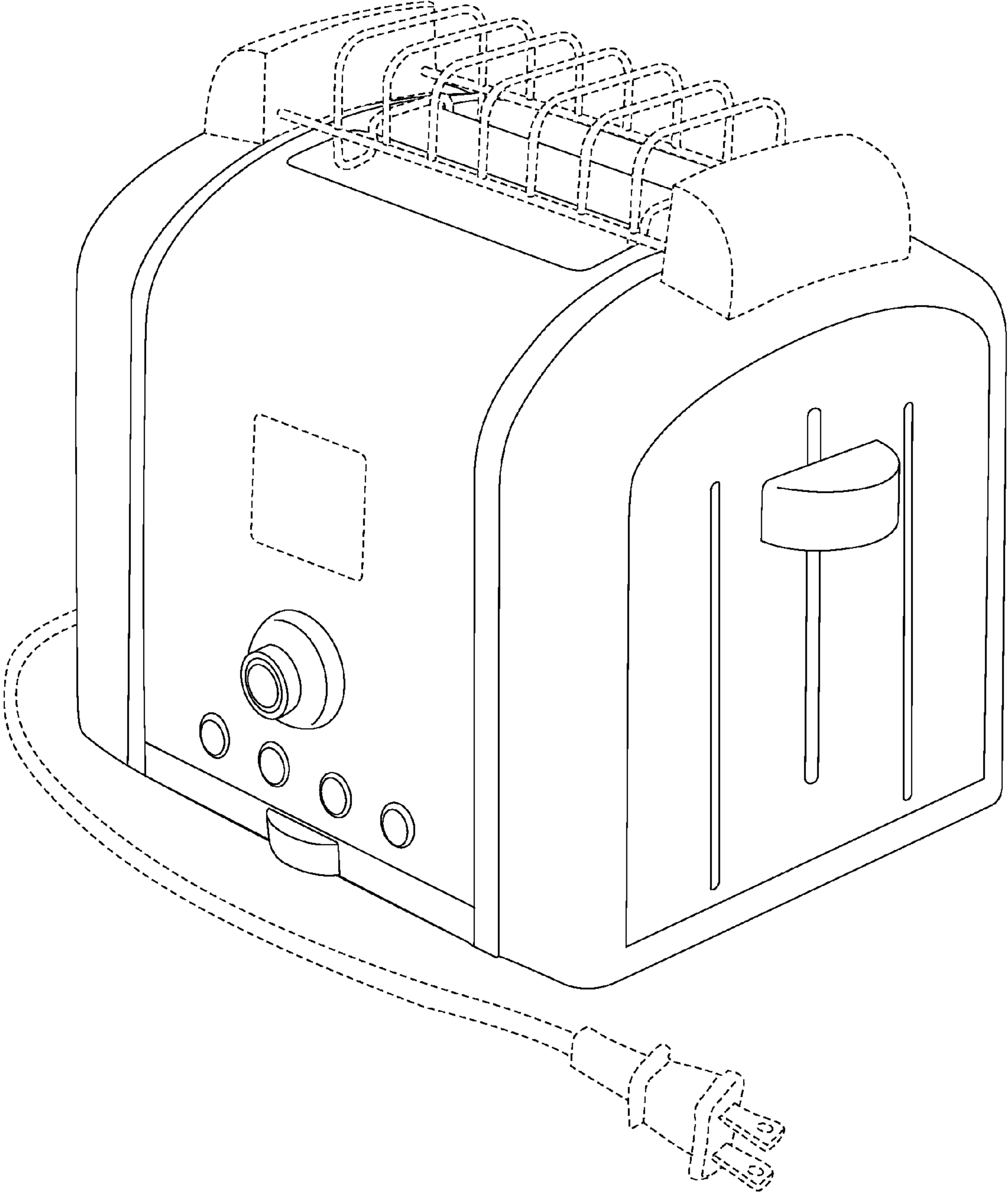


FIGURE 2

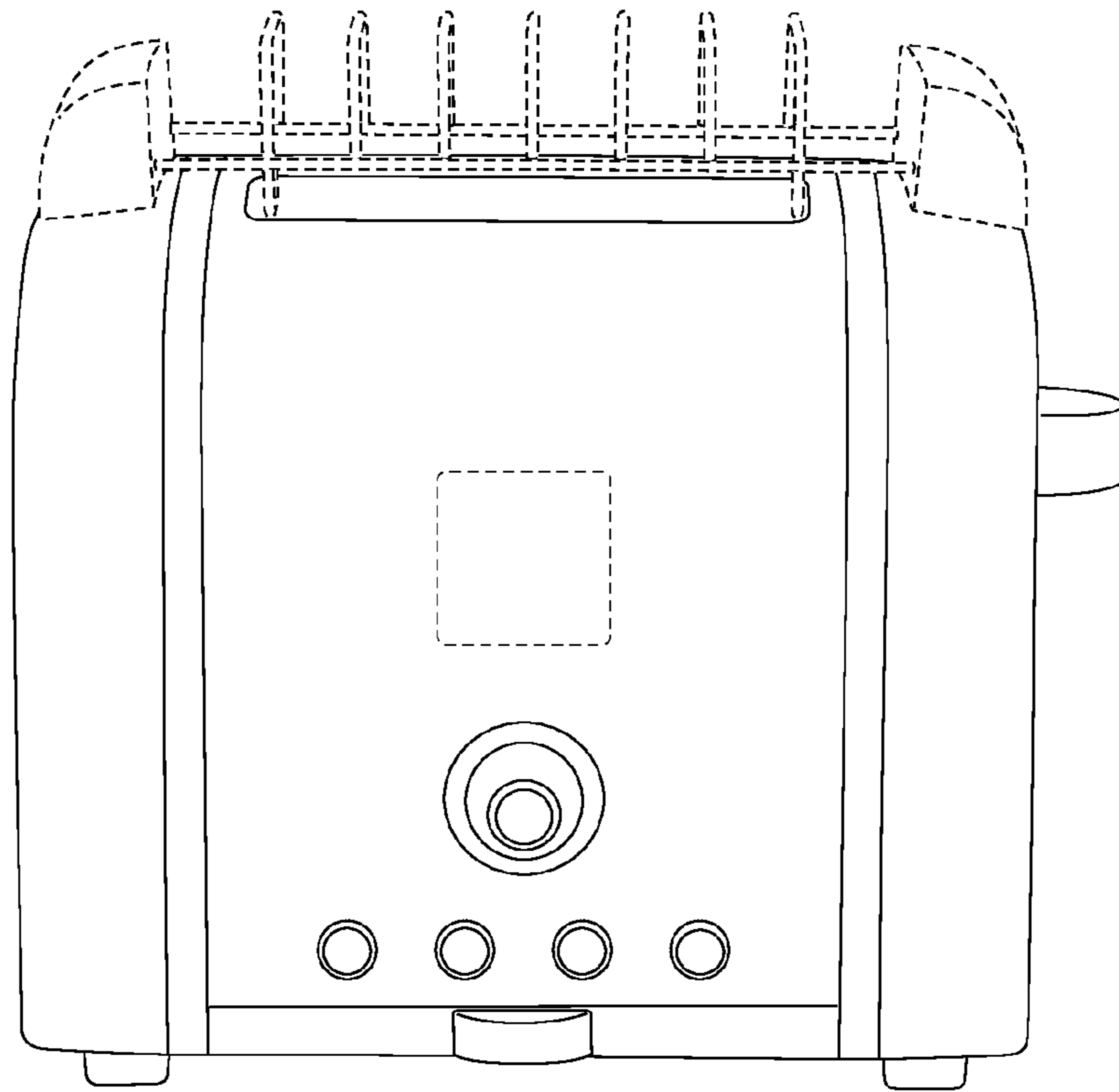


FIGURE 3

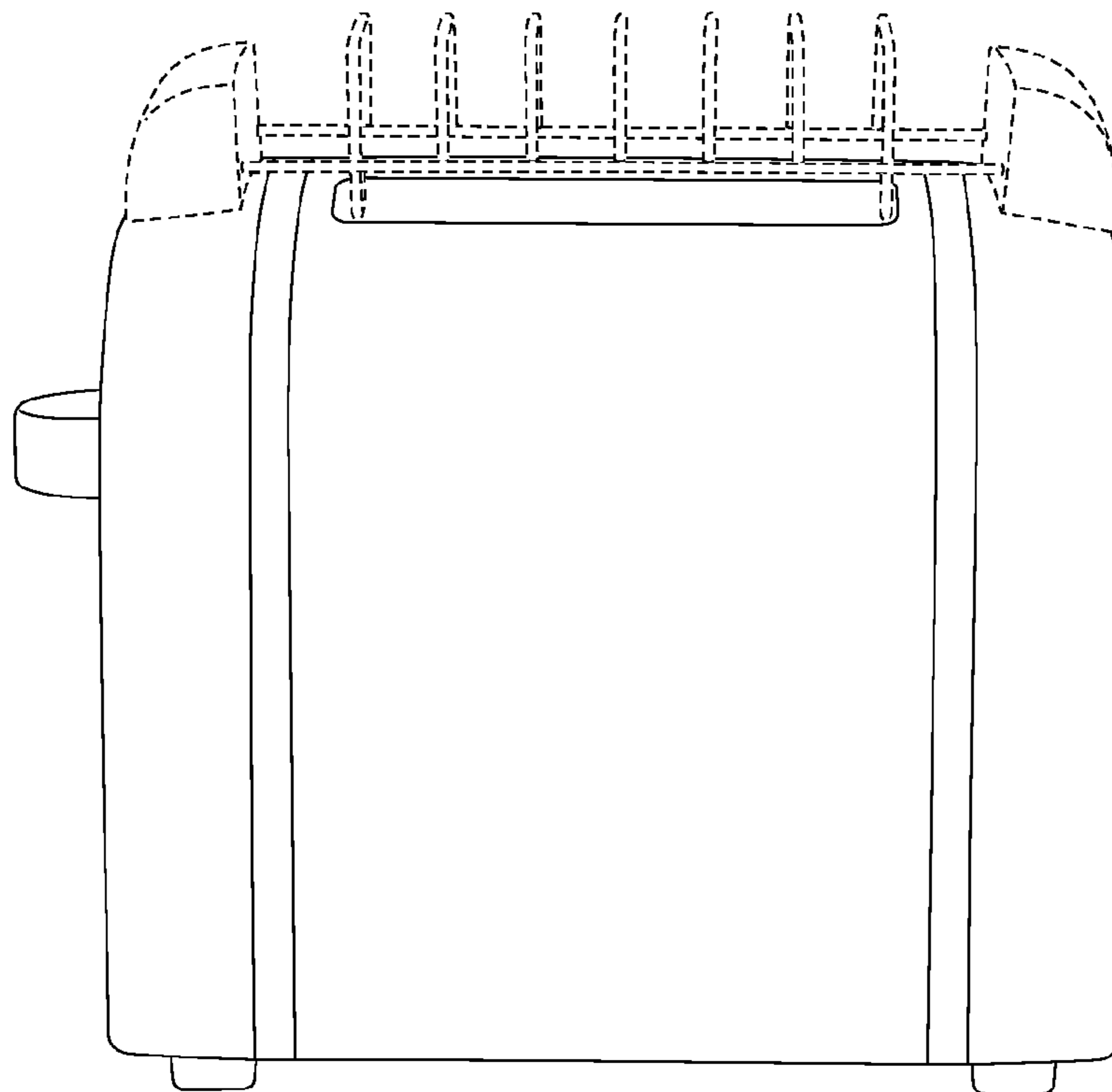


FIGURE 4

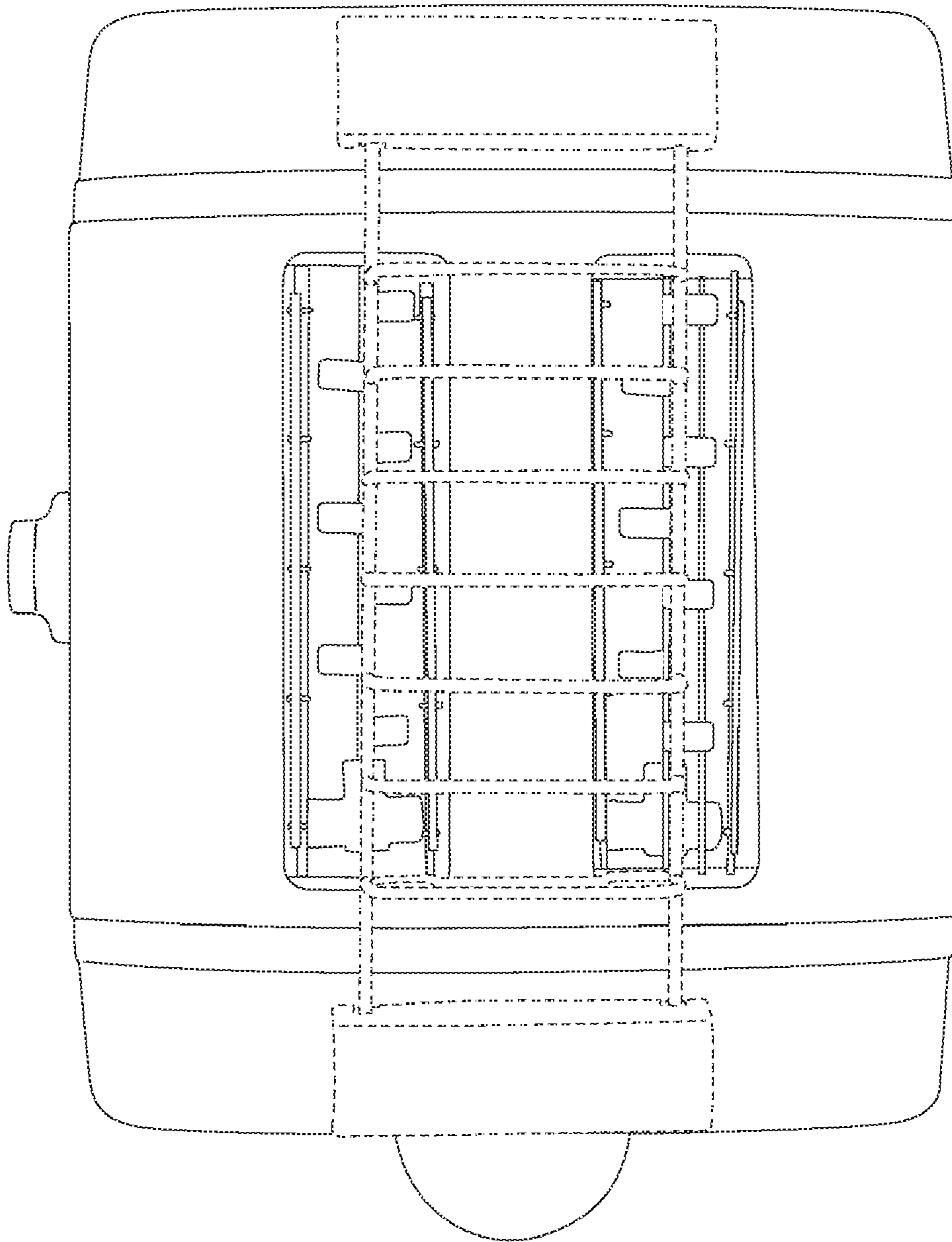


FIGURE 5

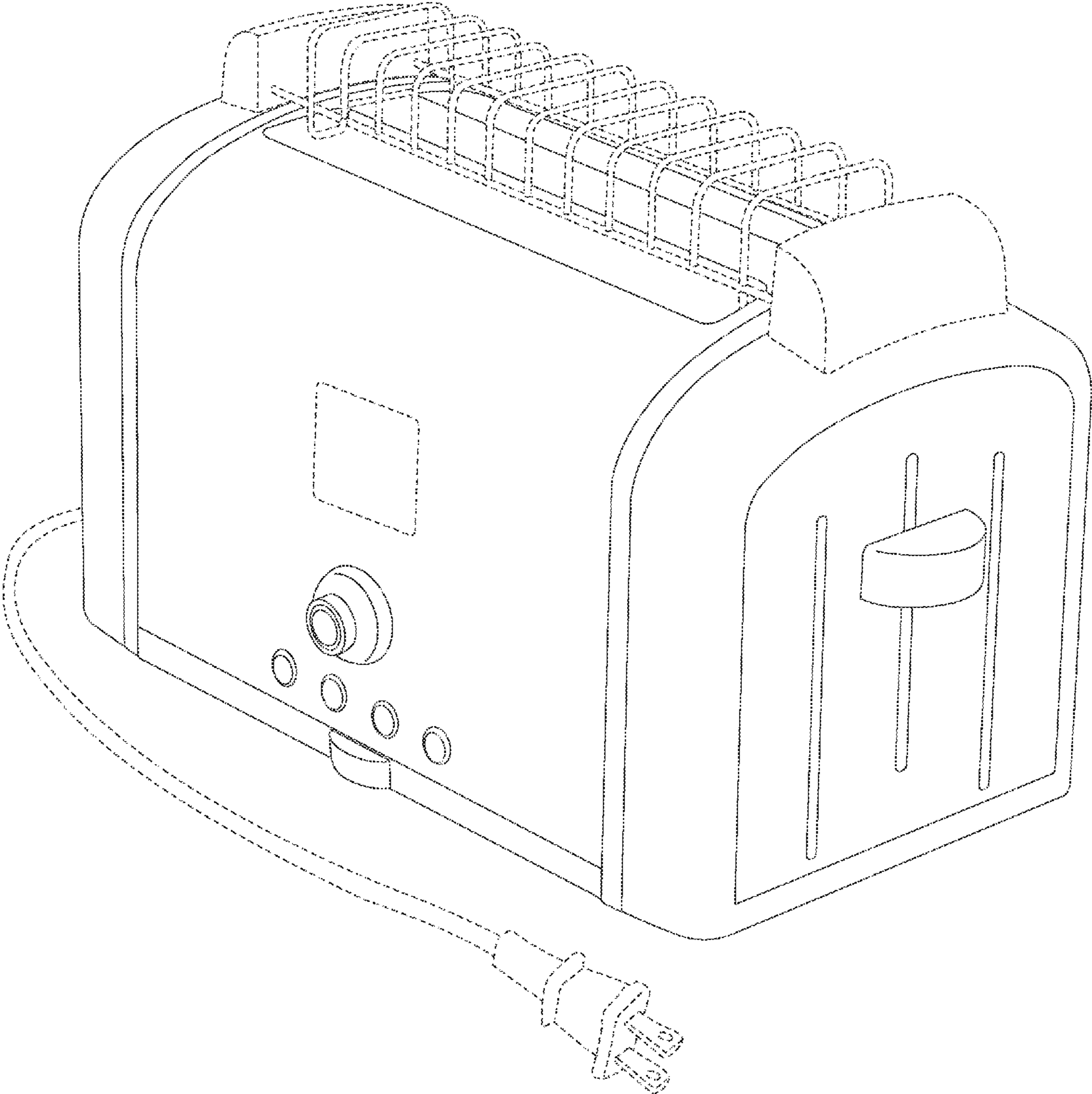


FIGURE 6

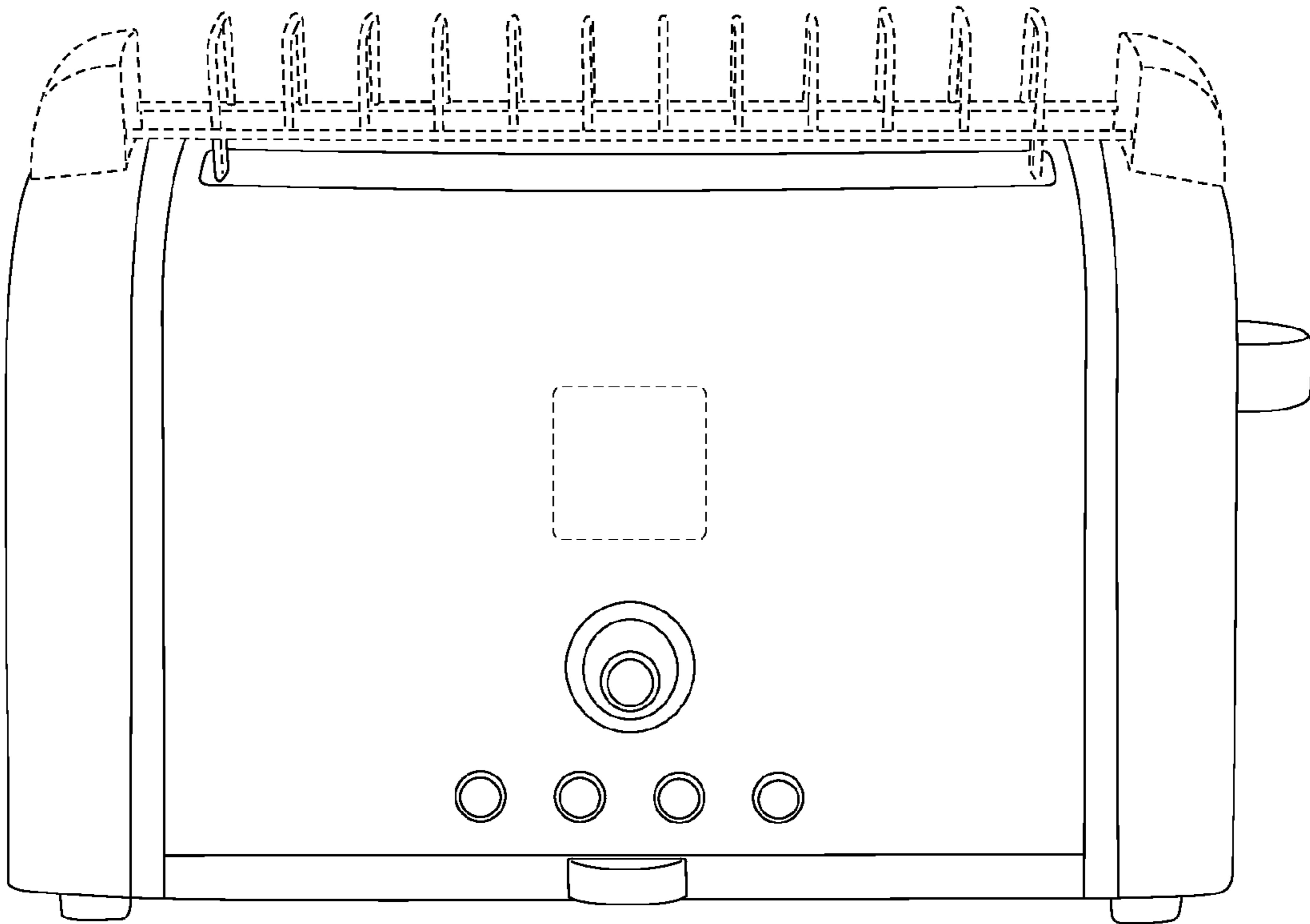


FIGURE 7

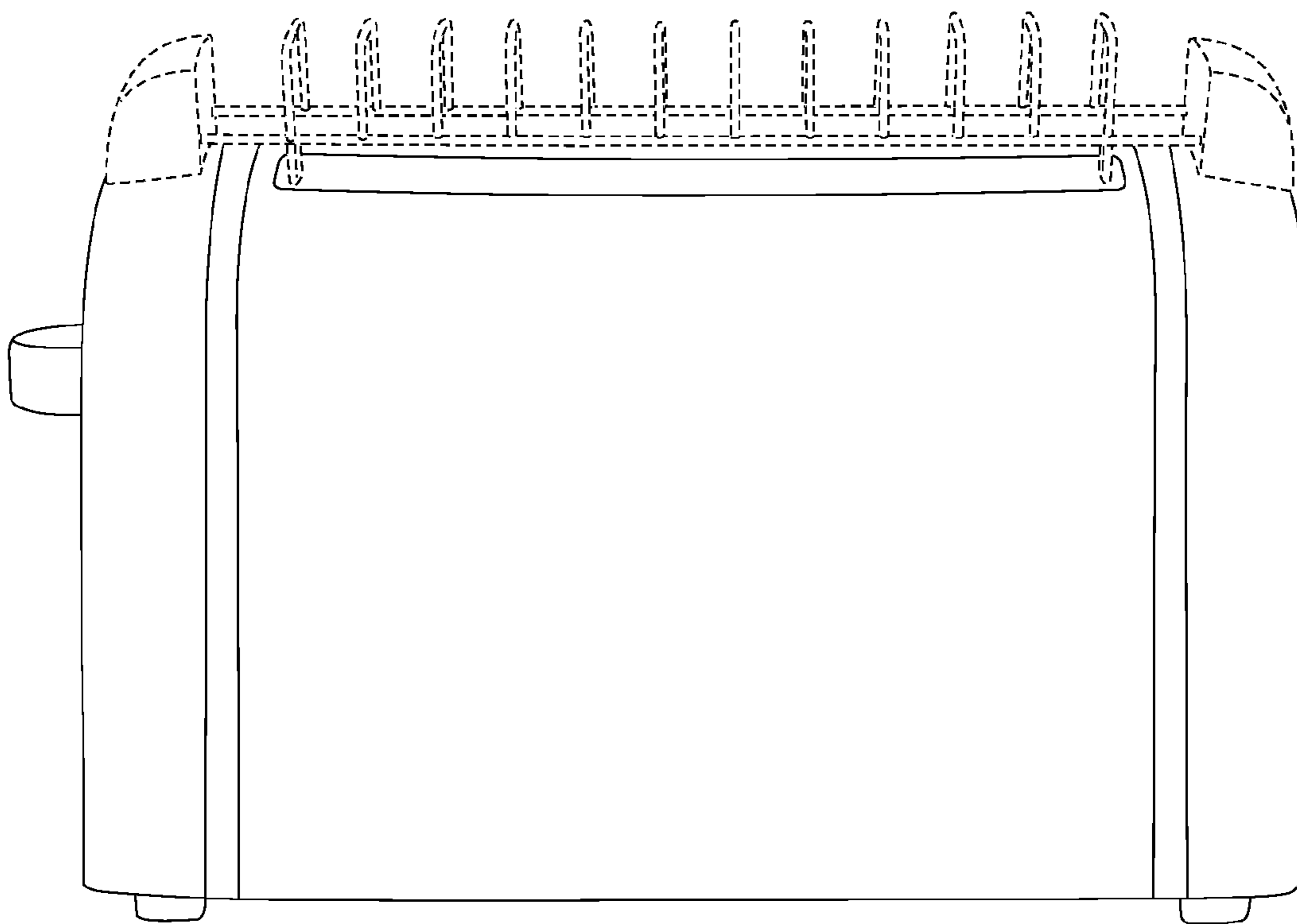


FIGURE 8

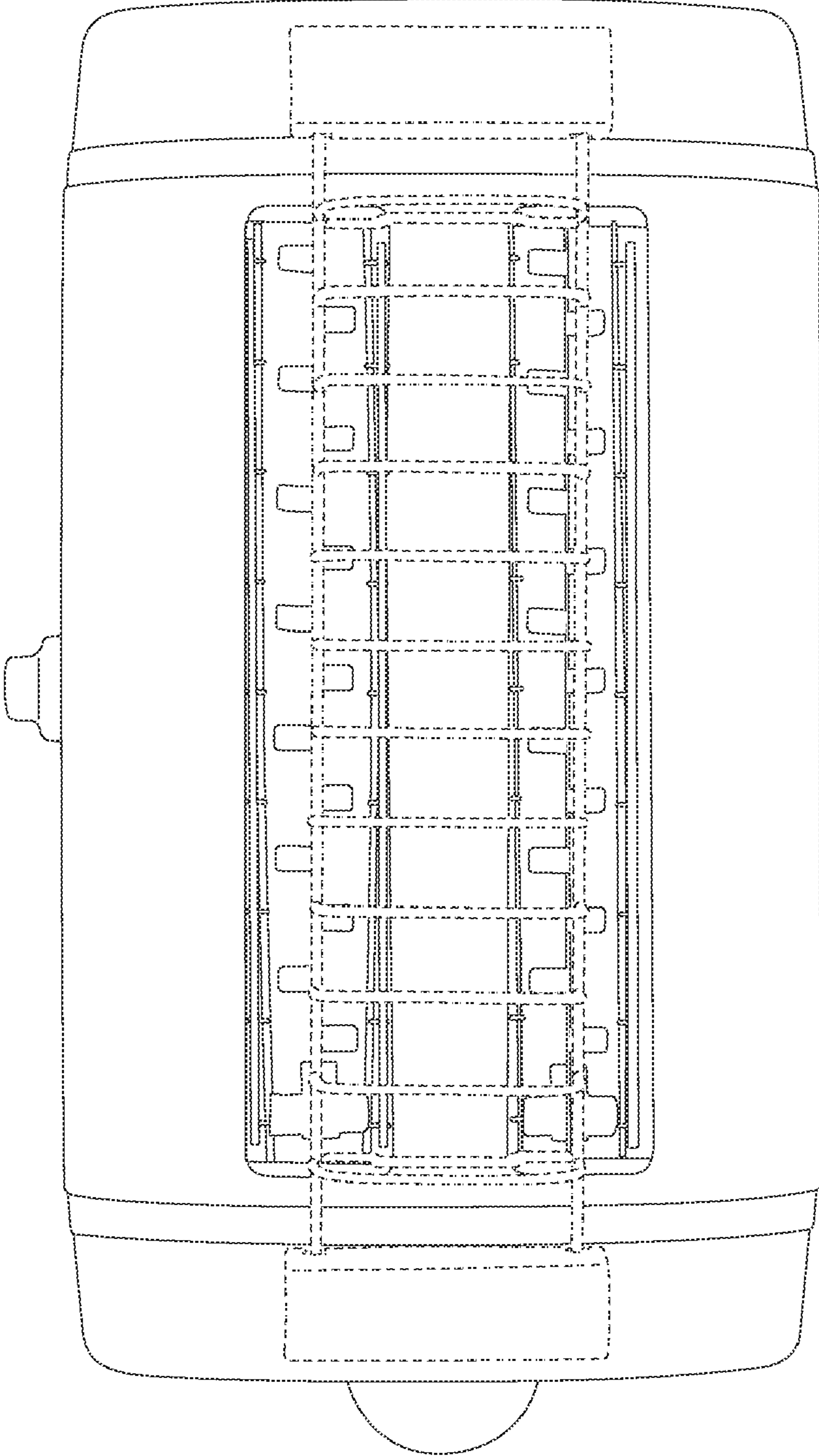


FIGURE 9

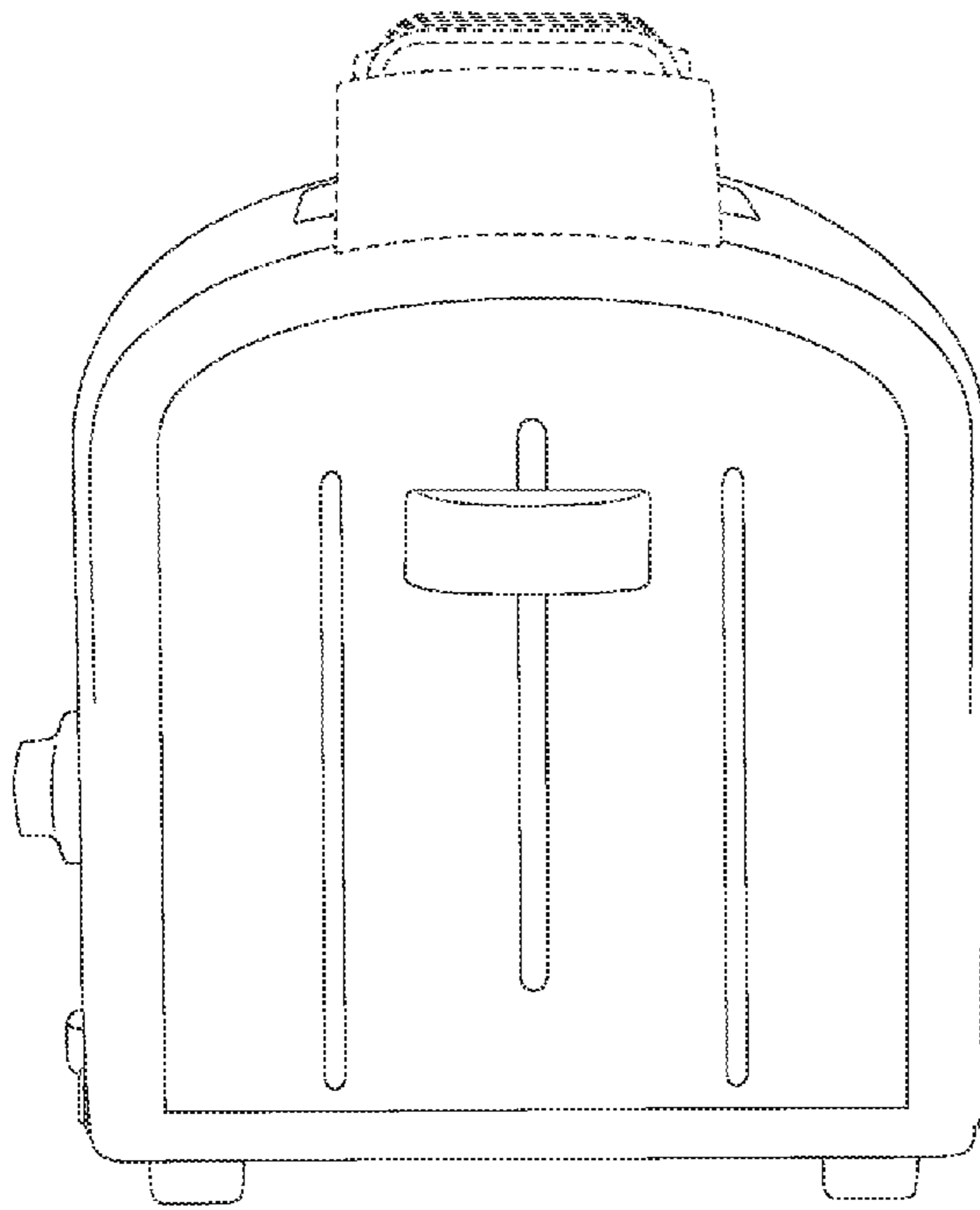


FIGURE 10

