

US00D594268S

(12) **United States Design Patent**
Bodum

(10) **Patent No.:** **US D594,268 S**

(45) **Date of Patent:** **** Jun. 16, 2009**

(54) **TEAPOT**

(75) Inventor: **Jørgen Bodum**, Meggen (CH)

(73) Assignee: **Pi-Design, AG**, Triengen (CH)

(**) Term: **14 Years**

(21) Appl. No.: **29/319,446**

(22) Filed: **Jun. 10, 2008**

(30) **Foreign Application Priority Data**

Dec. 12, 2007 (DK) DA 2007 00296

(51) **LOC (9) Cl.** **07-01**

(52) **U.S. Cl.** **D7/319; D7/317; D7/321**

(58) **Field of Classification Search** D7/300,
D7/322, 312, 321, 316-319; D23/212; 222/571;
210/238; 220/298; 99/302 P, 322, 295, 317
See application file for complete search history.

(56) **References Cited**

U.S. PATENT DOCUMENTS

- D288,890 S * 3/1987 Lebowitz D7/322
- D343,759 S * 2/1994 Jorgensen D7/318
- 5,453,189 A * 9/1995 Joergensen 210/238
- D415,648 S * 10/1999 Joergensen D7/317

- D450,521 S * 11/2001 Joergensen D7/319
- D552,404 S * 10/2007 Bodum D7/321
- D560,091 S * 1/2008 Bodum D7/316
- D565,340 S * 4/2008 Bodum D7/319

* cited by examiner

Primary Examiner—Marianne Pandozzi

(74) *Attorney, Agent, or Firm*—Cowan, Liebowitz & Latman, PC

(57) **CLAIM**

The ornamental design for a teapot, as shown and described.

DESCRIPTION

FIG. 1 is a perspective view of the teapot showing my design thereof;

FIG. 2 is a front view thereof;

FIG. 3 is a back view thereof;

FIG. 4 is a right side view thereof;

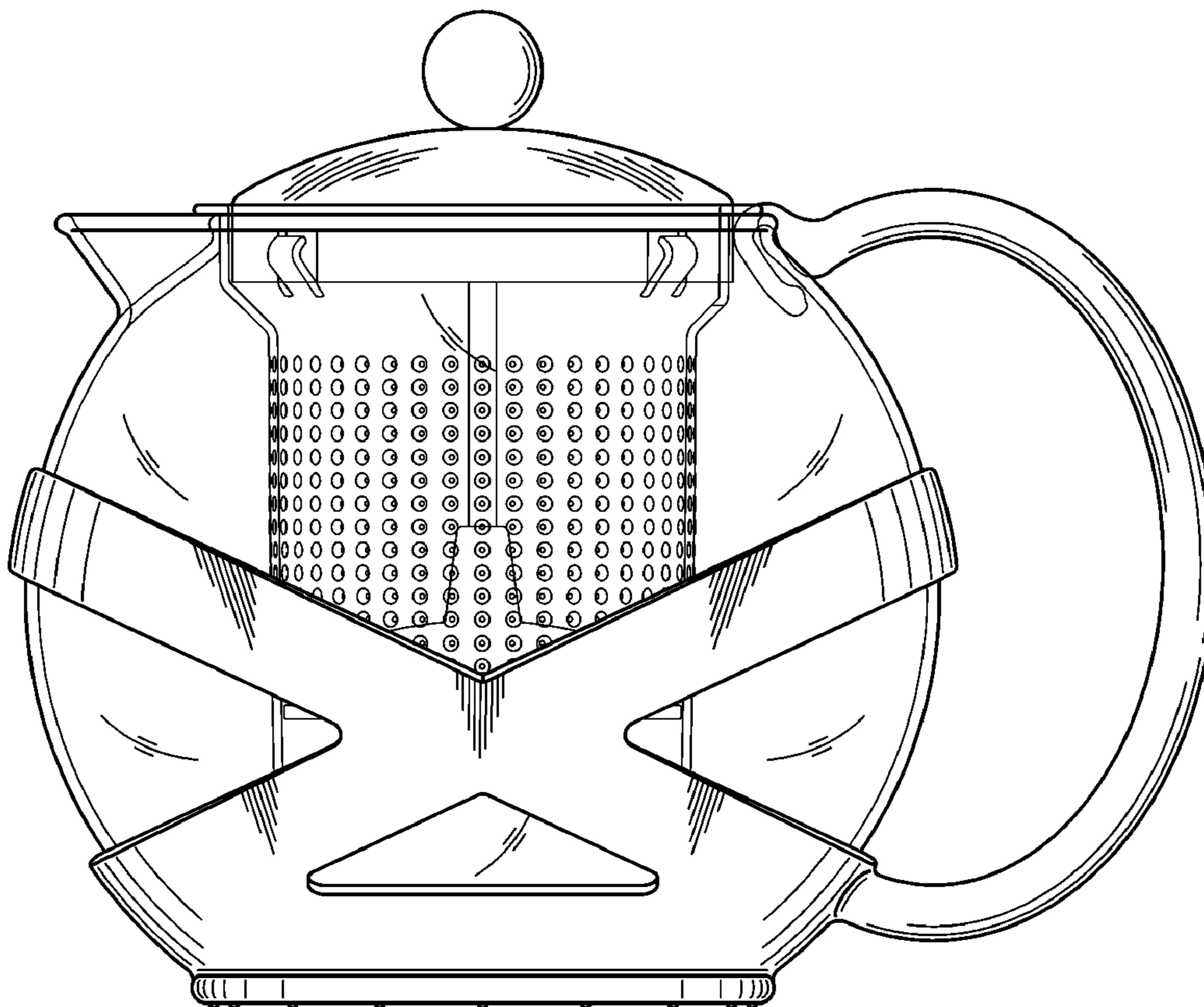
FIG. 5 is a left side view thereof;

FIG. 6 is a top view thereof;

FIG. 7 is a bottom view thereof; and,

FIG. 8 is a cross-sectional view thereof taken along line 8—8 of FIG. 6.

1 Claim, 8 Drawing Sheets



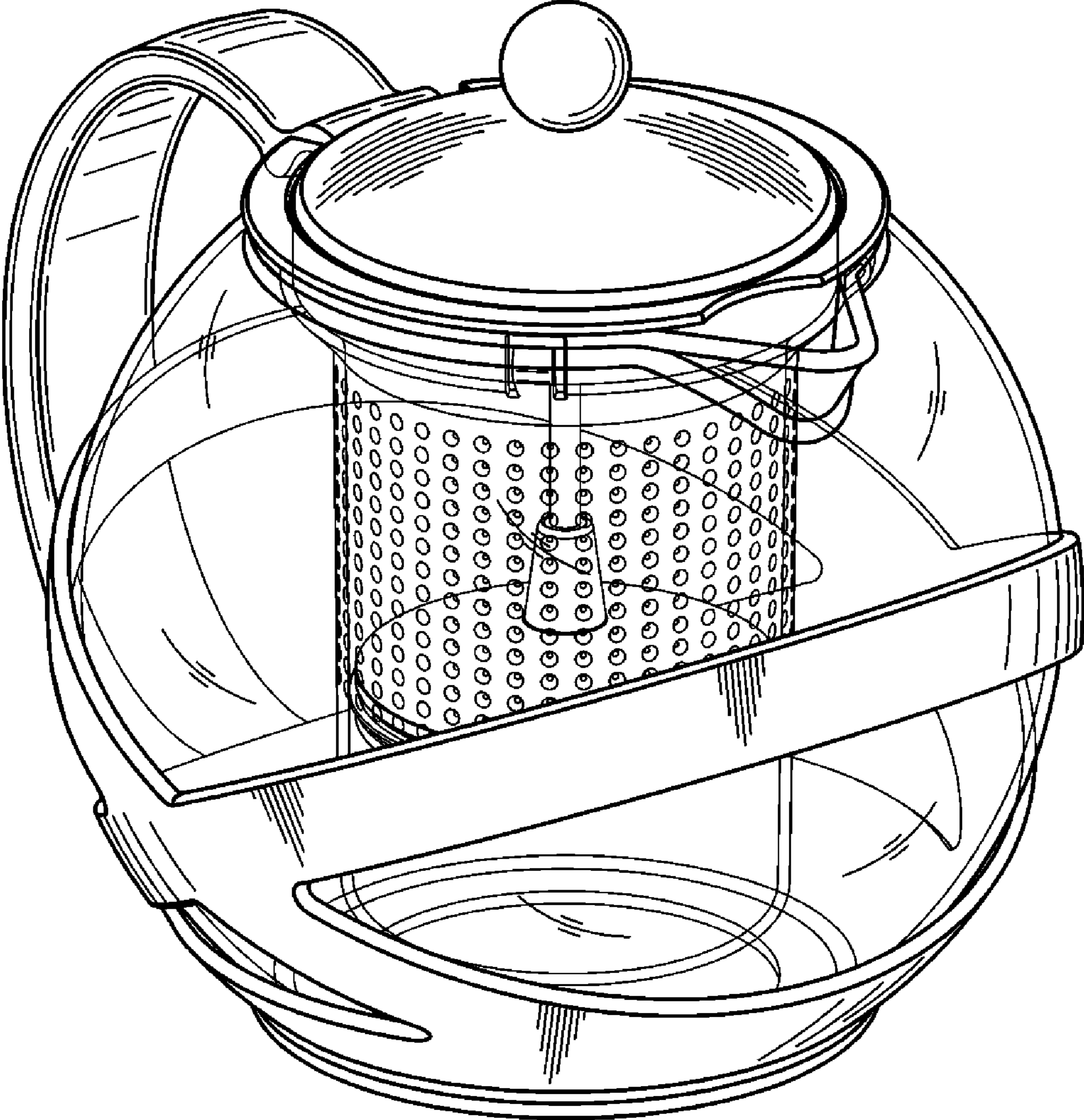


FIG. 1

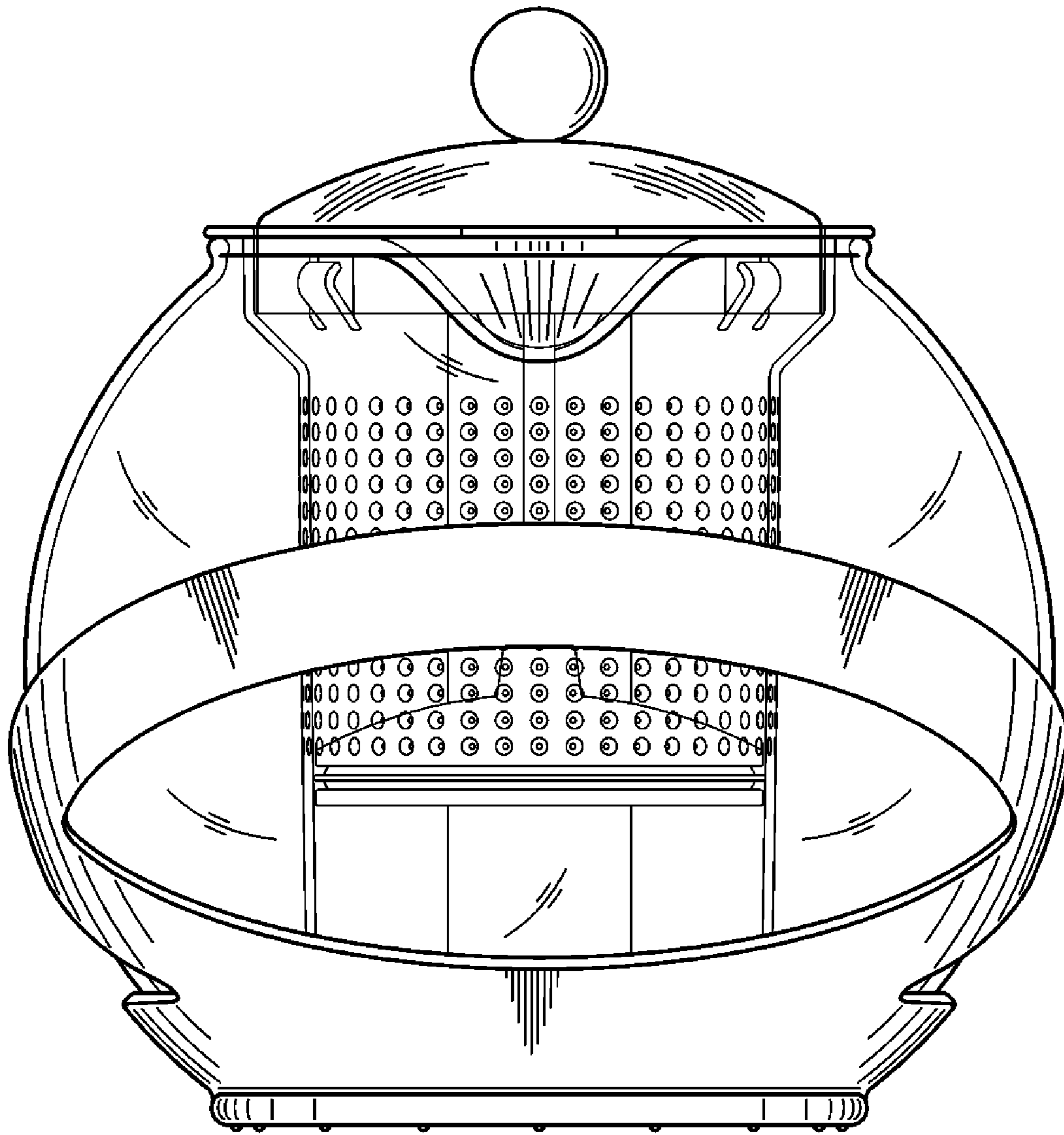


FIG. 2

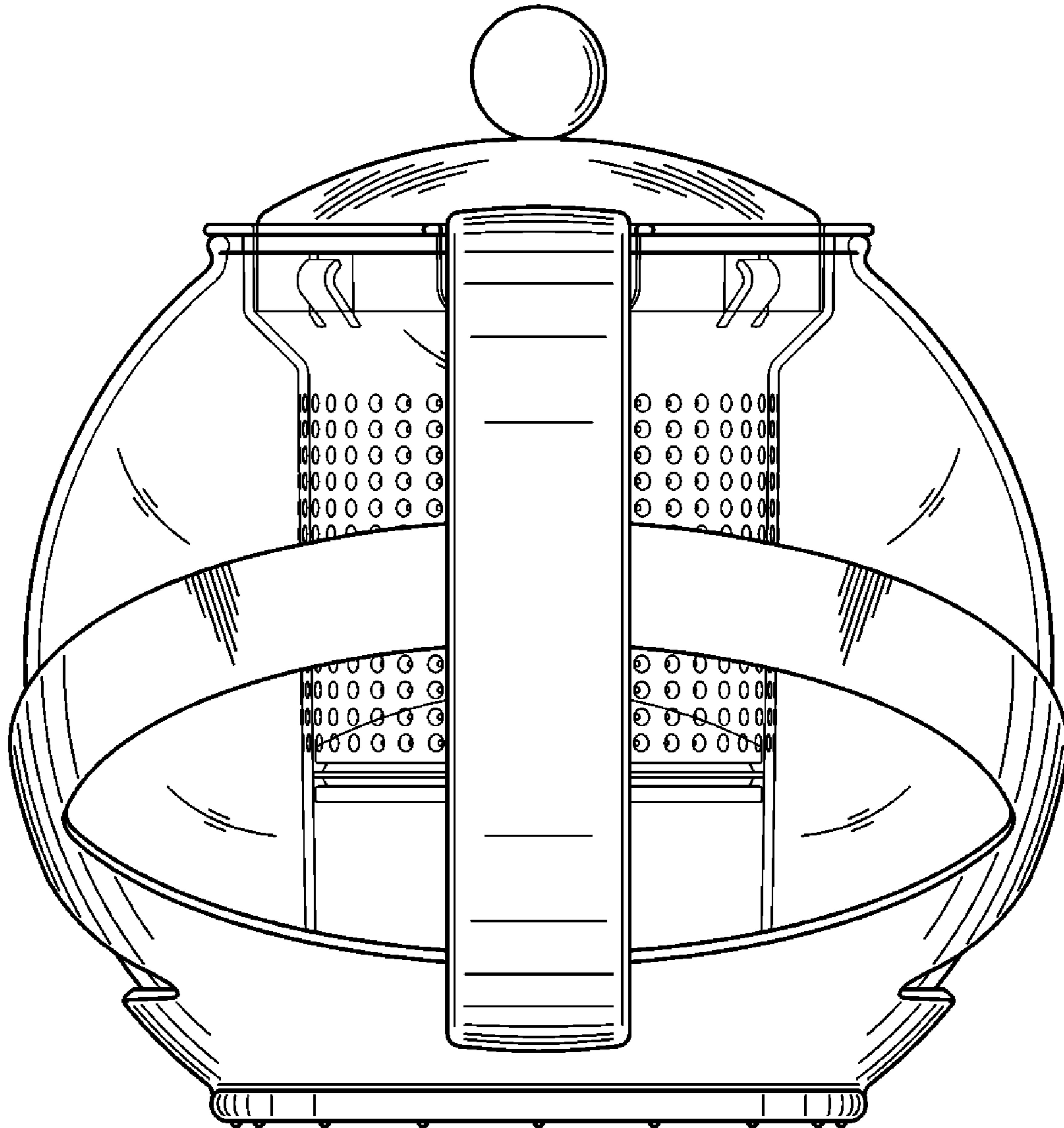


FIG. 3

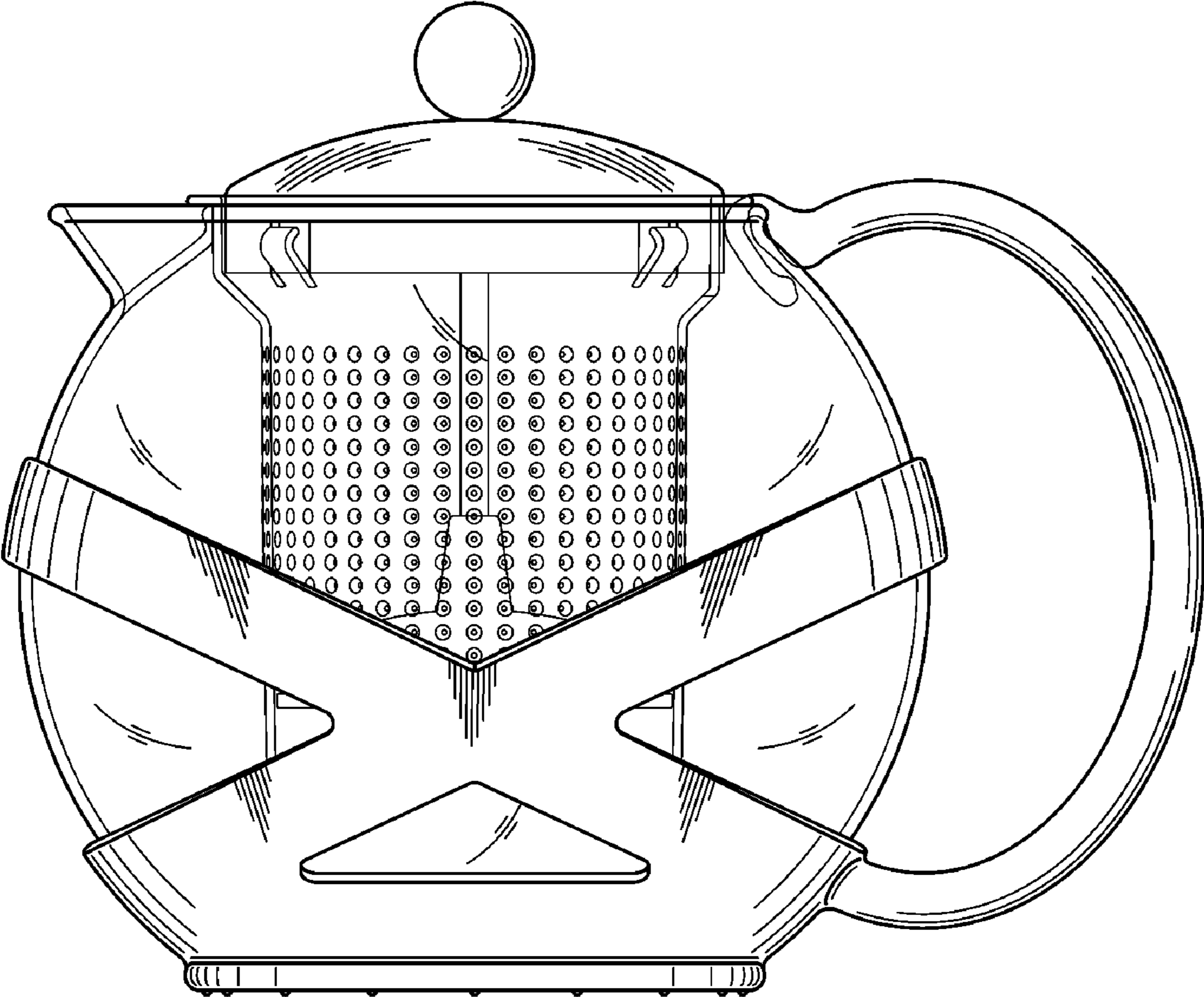


FIG. 4

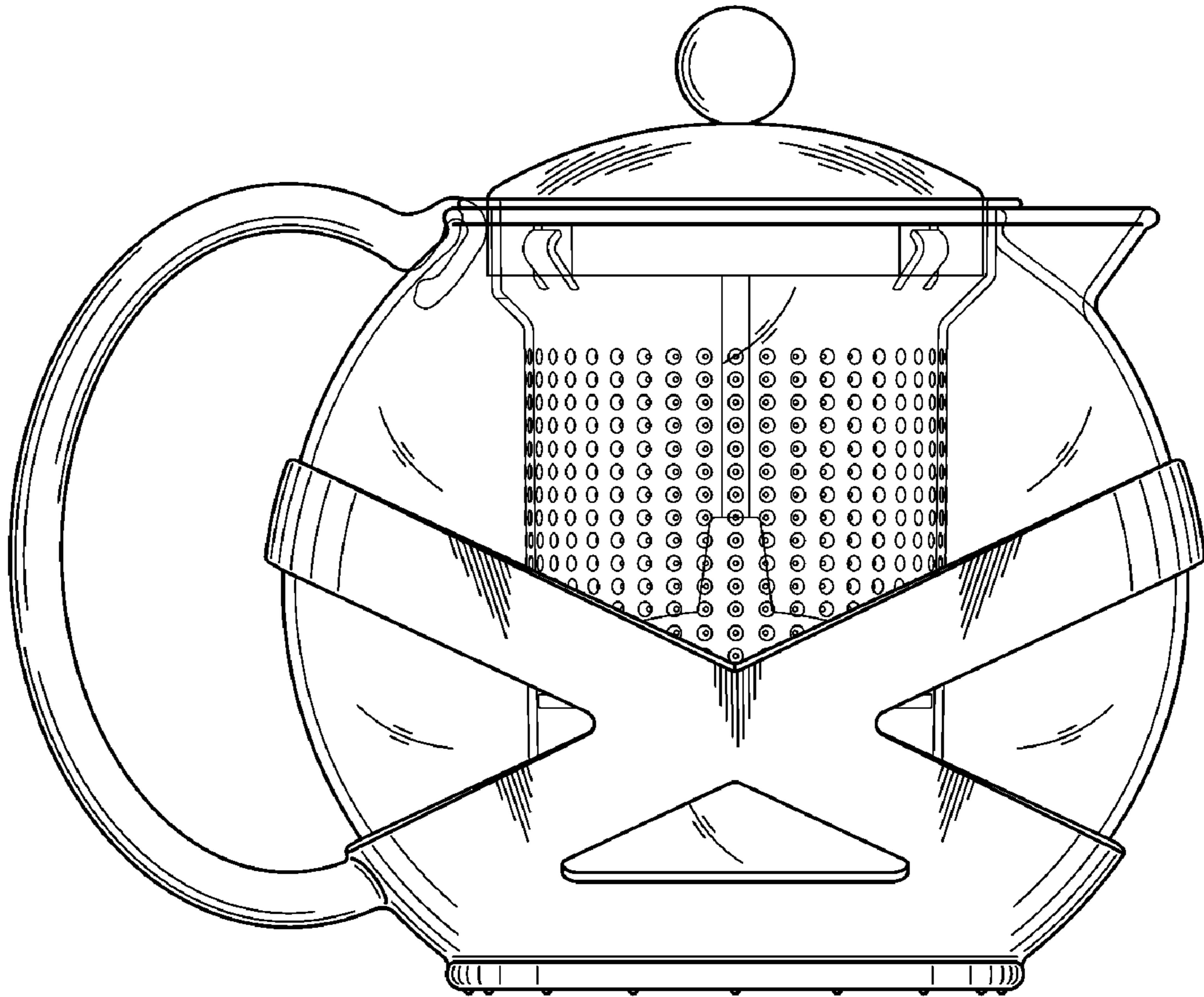


FIG. 5

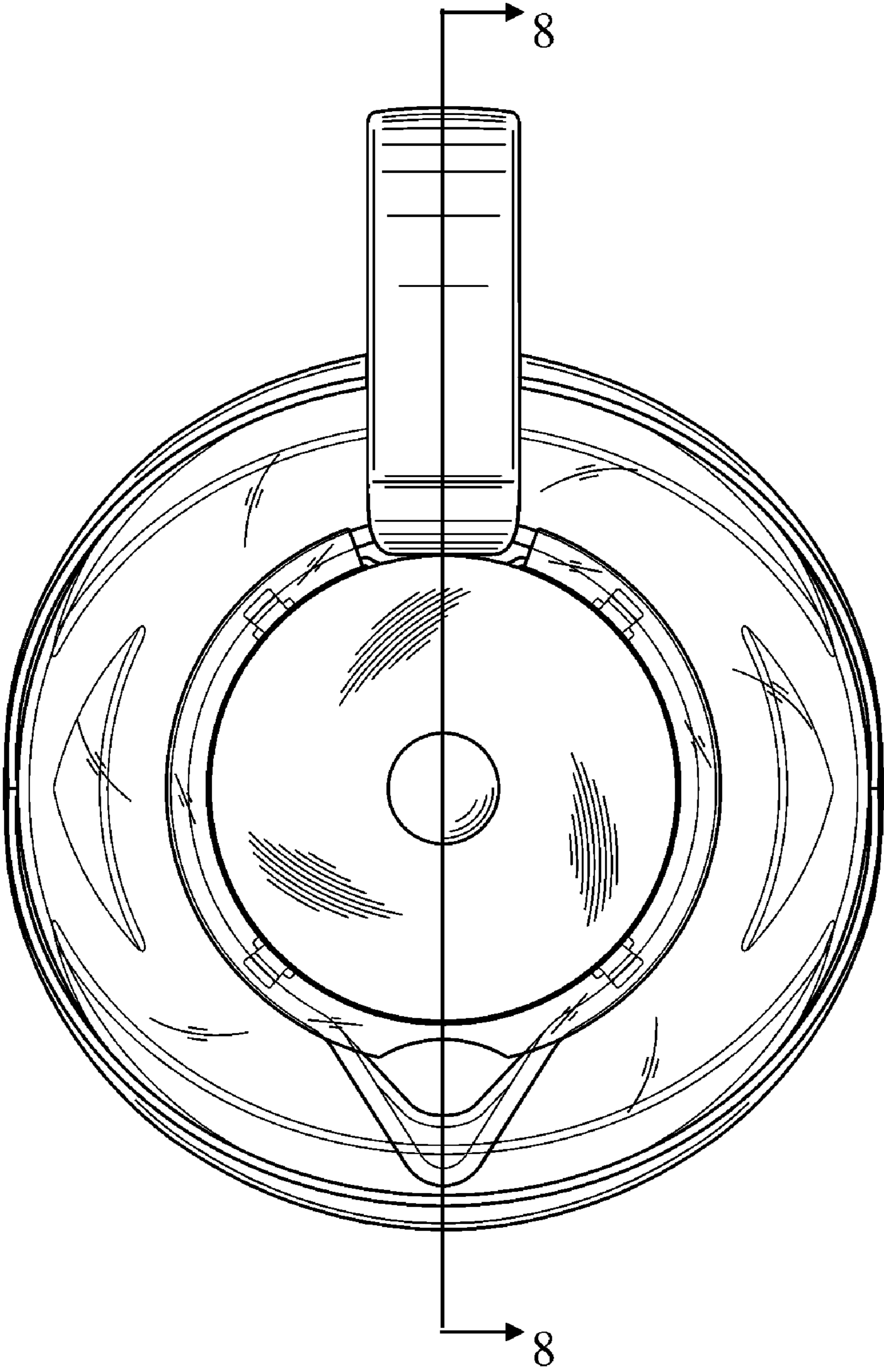


FIG. 6

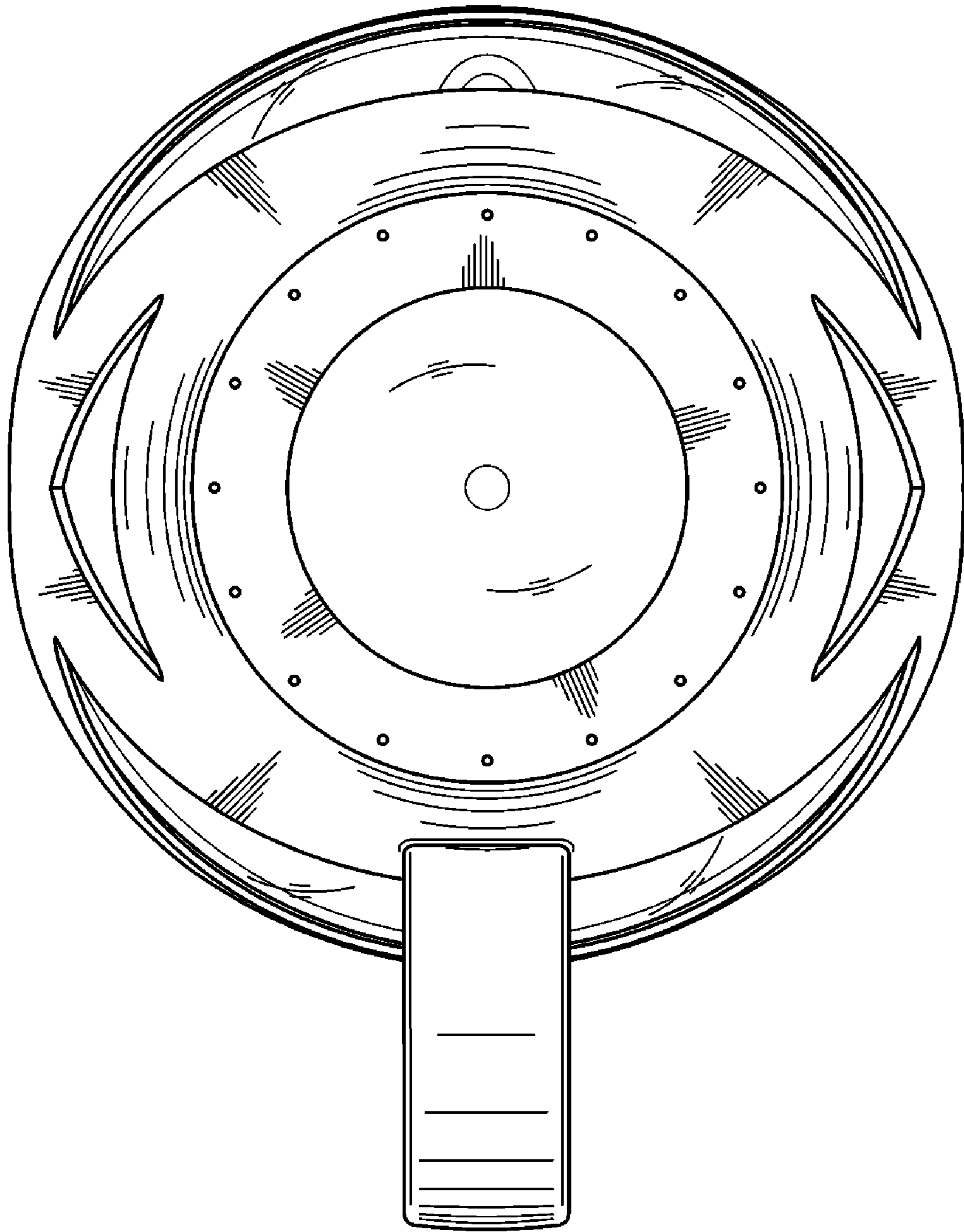


FIG. 7

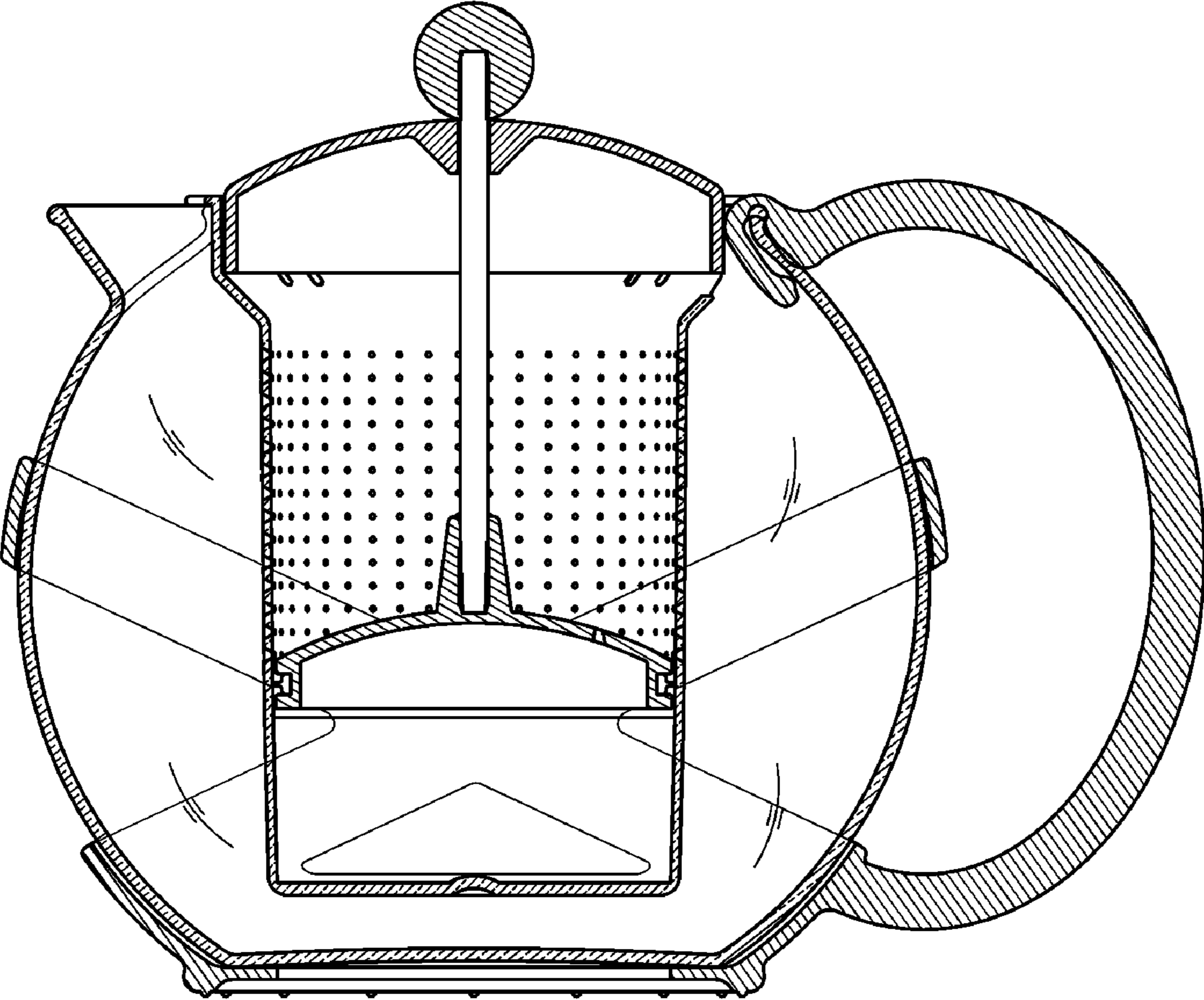


FIG. 8