



US00D594267S

(12) **United States Design Patent**  
**Bodum**

(10) **Patent No.:** **US D594,267 S**  
(45) **Date of Patent:** **\*\* Jun. 16, 2009**

(54) **COFFEE PRESS**

(75) Inventor: **Jørgen Bodum**, Meggen (CH)

(73) Assignee: **Pi-Design, AG**, Triengen (CH)

(\*\*) Term: **14 Years**

(21) Appl. No.: **29/298,992**

(22) Filed: **Dec. 17, 2007**

(30) **Foreign Application Priority Data**

Jun. 18, 2007 (DK) ..... DA 2007 00149

(51) **LOC (9) Cl.** ..... **07-01**

(52) **U.S. Cl.** ..... **D7/319; D7/317**

(58) **Field of Classification Search** ..... D7/300,  
D7/312, 316-319, 600, 598; 219/441; 220/663,  
220/298; 99/285, 300, 297, 319; 215/13.1;  
222/183, 465.1

See application file for complete search history.

(56) **References Cited**

**U.S. PATENT DOCUMENTS**

|              |         |            |       |        |
|--------------|---------|------------|-------|--------|
| D377,132 S * | 1/1997  | Jørgensen  | ..... | D7/318 |
| D384,540 S * | 10/1997 | Joergensen | ..... | D7/319 |
| D386,040 S * | 11/1997 | Joergensen | ..... | D7/317 |
| D388,275 S * | 12/1997 | Joergensen | ..... | D7/319 |
| D405,642 S * | 2/1999  | Toriba     | ..... | D7/319 |
| D448,602 S * | 10/2001 | Bodum      | ..... | D7/319 |
| D448,603 S * | 10/2001 | Yeh        | ..... | D7/319 |
| D458,074 S * | 6/2002  | Bodum      | ..... | D7/319 |
| D500,626 S * | 1/2005  | Ranzoni    | ..... | D7/317 |
| D559,028 S * | 1/2008  | Appleton   | ..... | D7/317 |
| D563,713 S * | 3/2008  | Bodum      | ..... | D7/319 |
| D565,887 S * | 4/2008  | Bodum      | ..... | D7/319 |
| D573,396 S * | 7/2008  | Gauss      | ..... | D7/319 |
| D584,559 S * | 1/2009  | Bodum      | ..... | D7/319 |

\* cited by examiner

*Primary Examiner*—Marianne Pandozzi

(74) *Attorney, Agent, or Firm*—Cowan, Liebowitz & Latman, PC

(57) **CLAIM**

The ornamental design for a coffee press, as shown and described.

**DESCRIPTION**

FIG. 1 is a perspective view of a first embodiment of the coffee press, showing my design thereof;

FIG. 2 is a front view thereof;

FIG. 3 is a back view thereof;

FIG. 4 is a right side view thereof;

FIG. 5 is a left side view thereof;

FIG. 6 is a top view thereof;

FIG. 7 is a bottom view thereof;

FIG. 8 is a cross-sectional view thereof taken along line 8—8 of FIG. 6;

FIG. 9 is a perspective view of a second embodiment of the coffee press, showing my design thereof;

FIG. 10 is a front view thereof;

FIG. 11 is a back view thereof;

FIG. 12 is a right side view thereof;

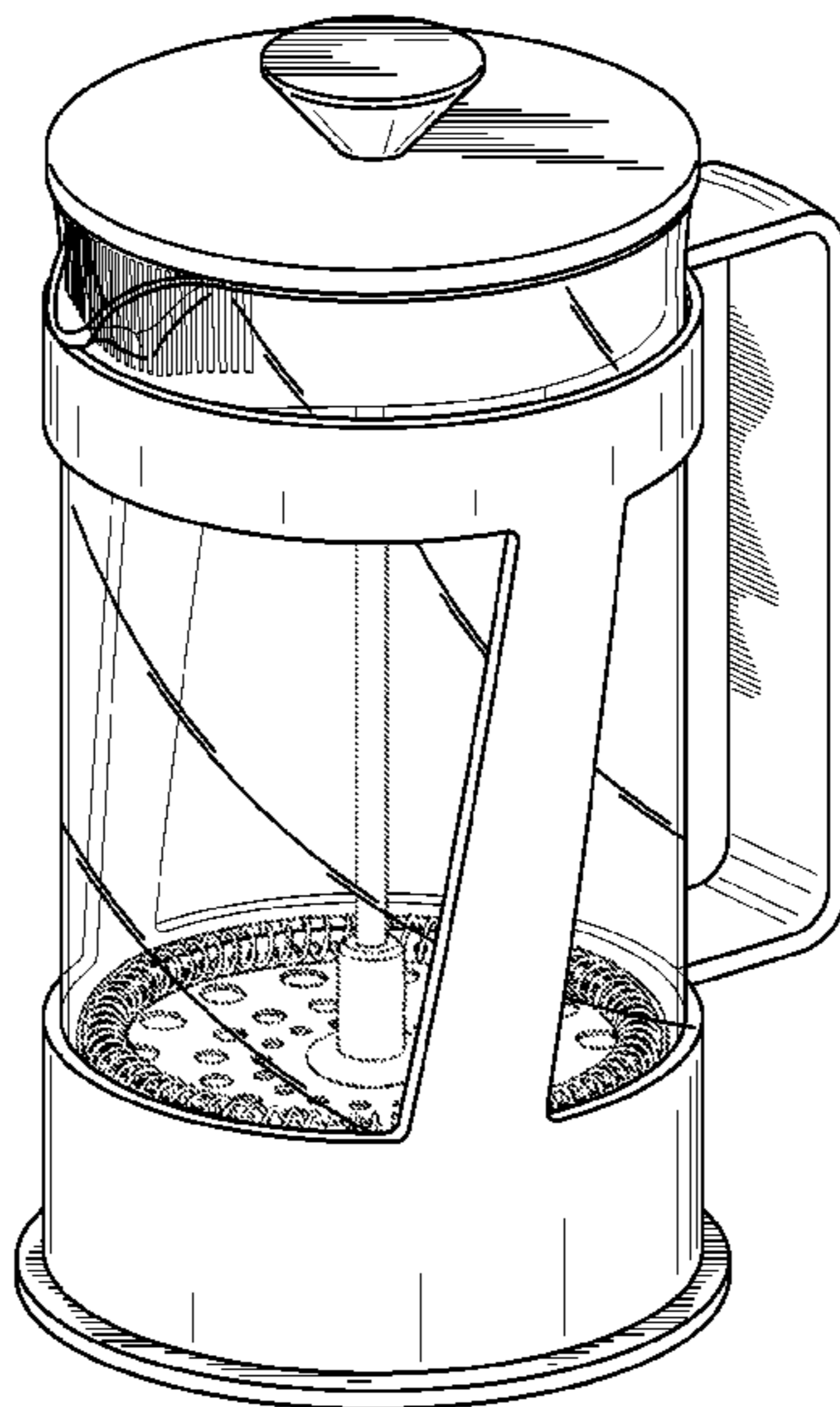
FIG. 13 is a left side view thereof;

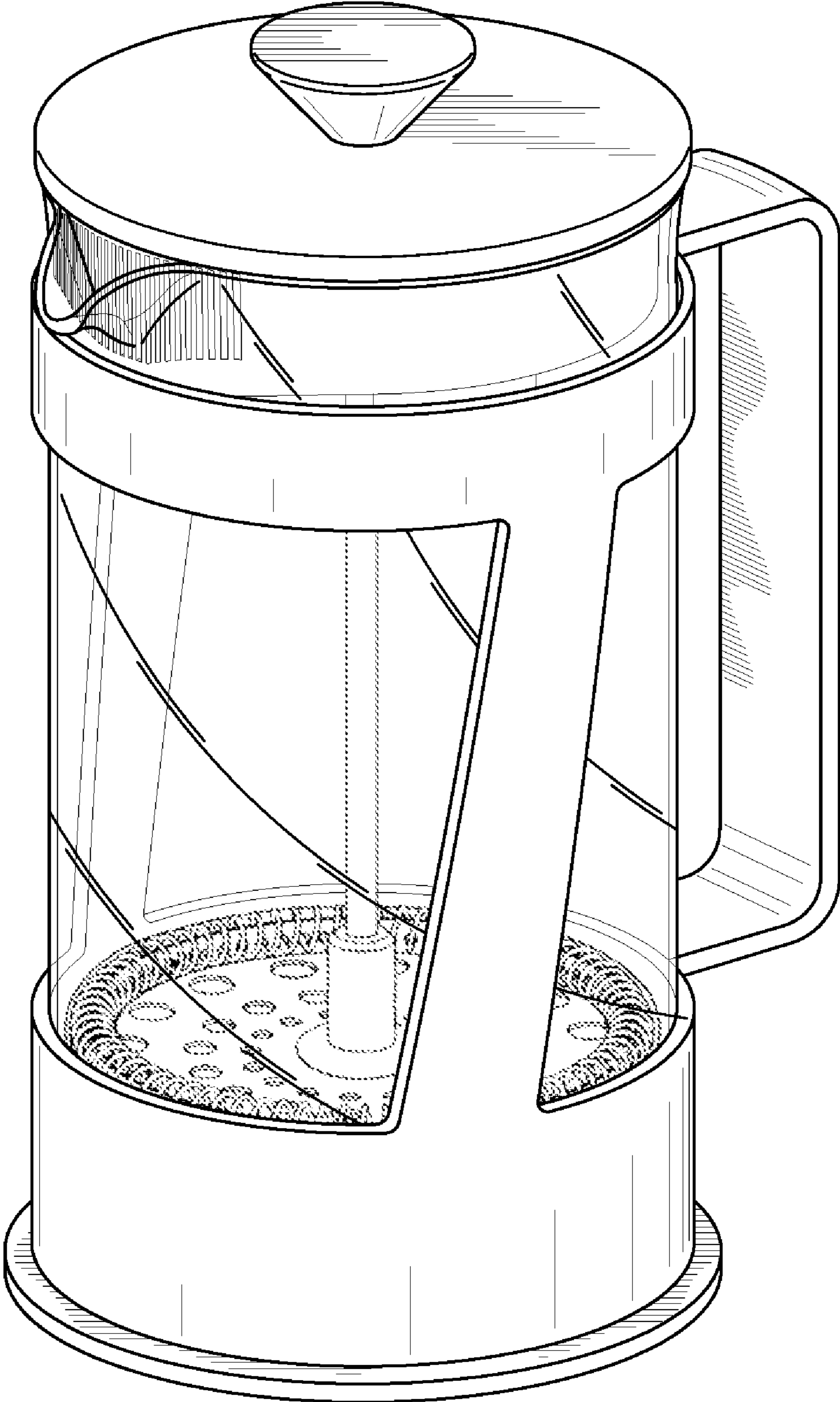
FIG. 14 is a top view thereof;

FIG. 15 is a bottom view thereof; and,

FIG. 16 is a cross-sectional view thereof taken along line 16—16 of FIG. 14.

**1 Claim, 16 Drawing Sheets**





**FIG. 1**

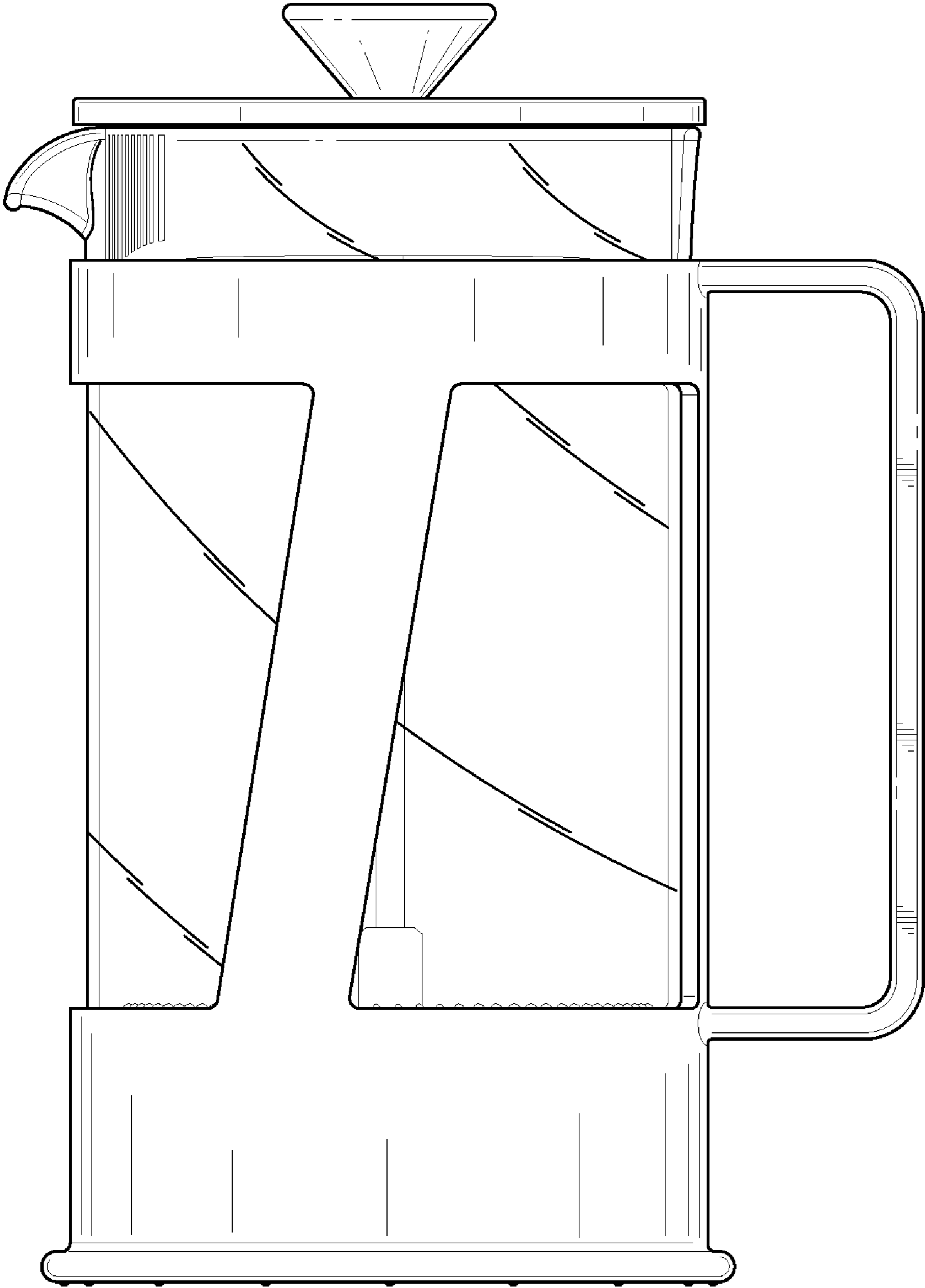


FIG. 2

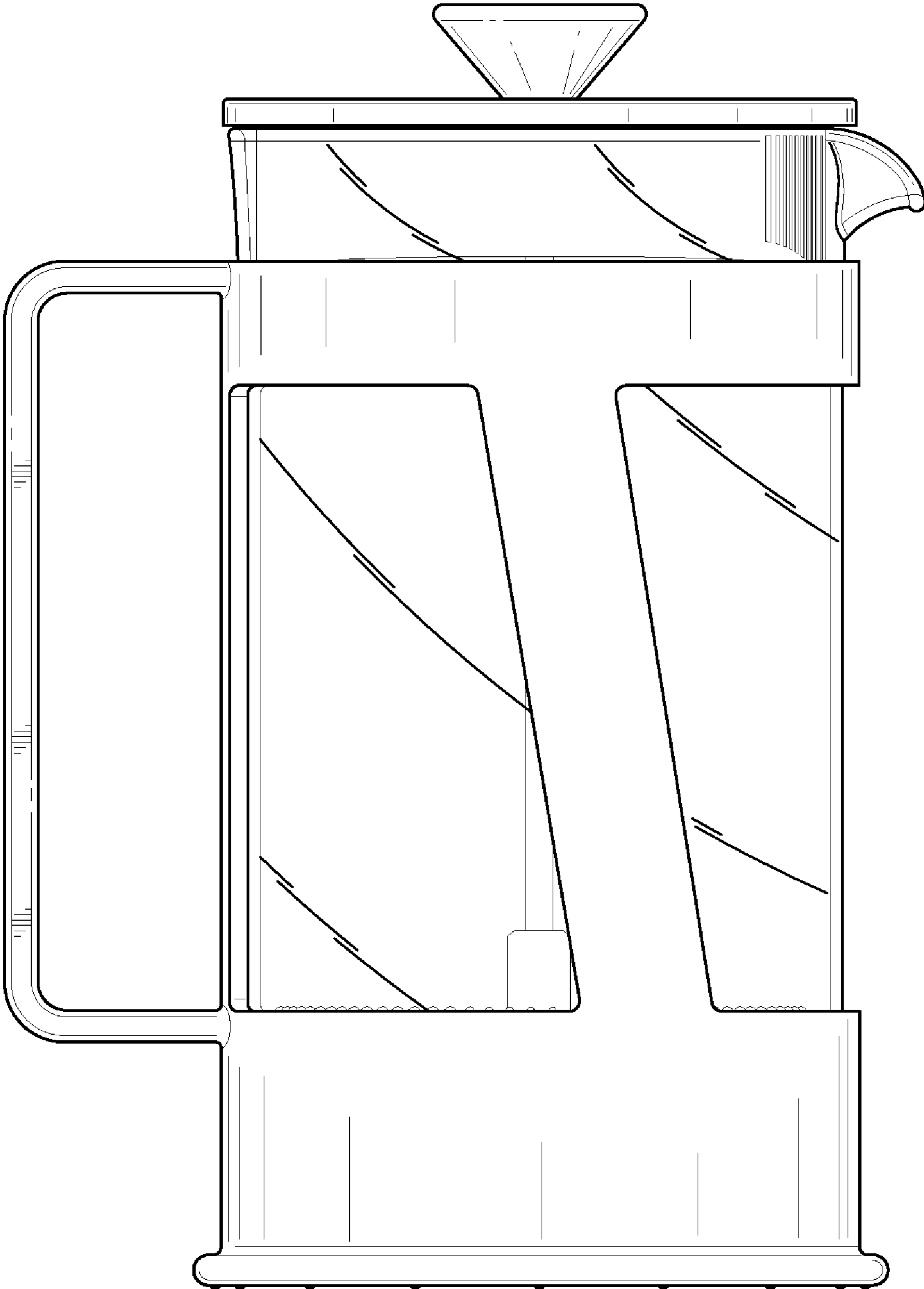
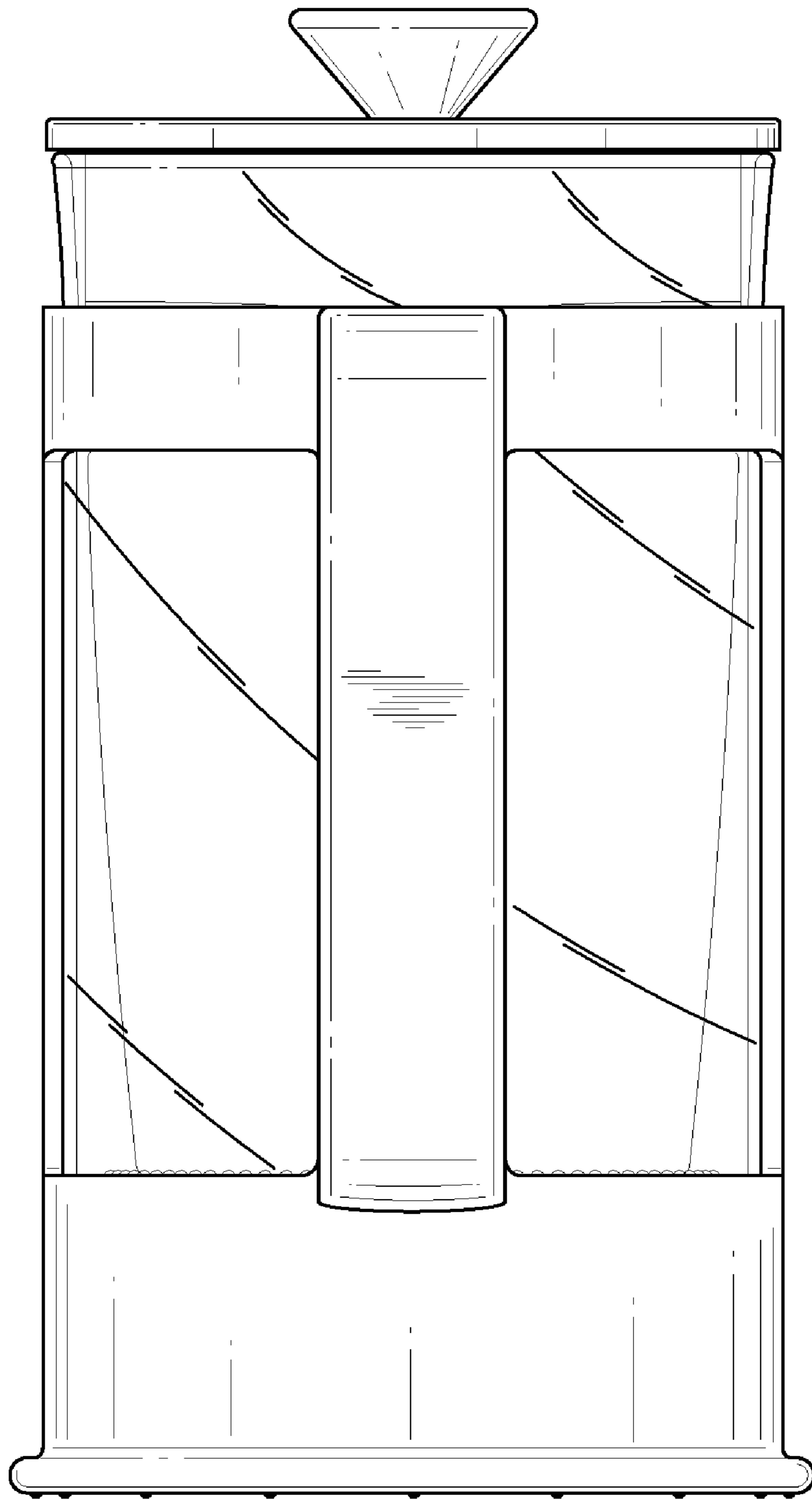
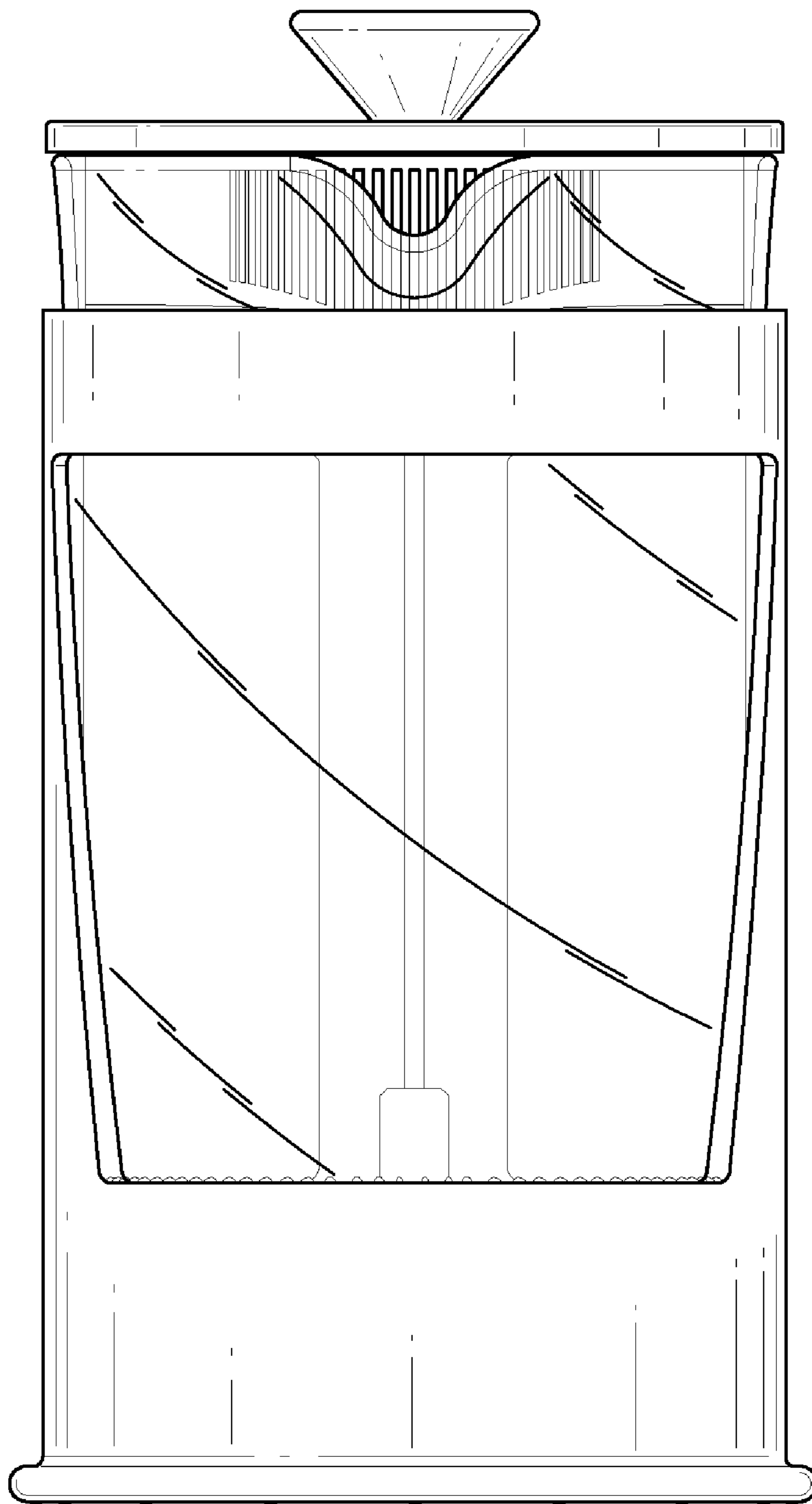


FIG. 3



**FIG. 4**



**FIG. 5**

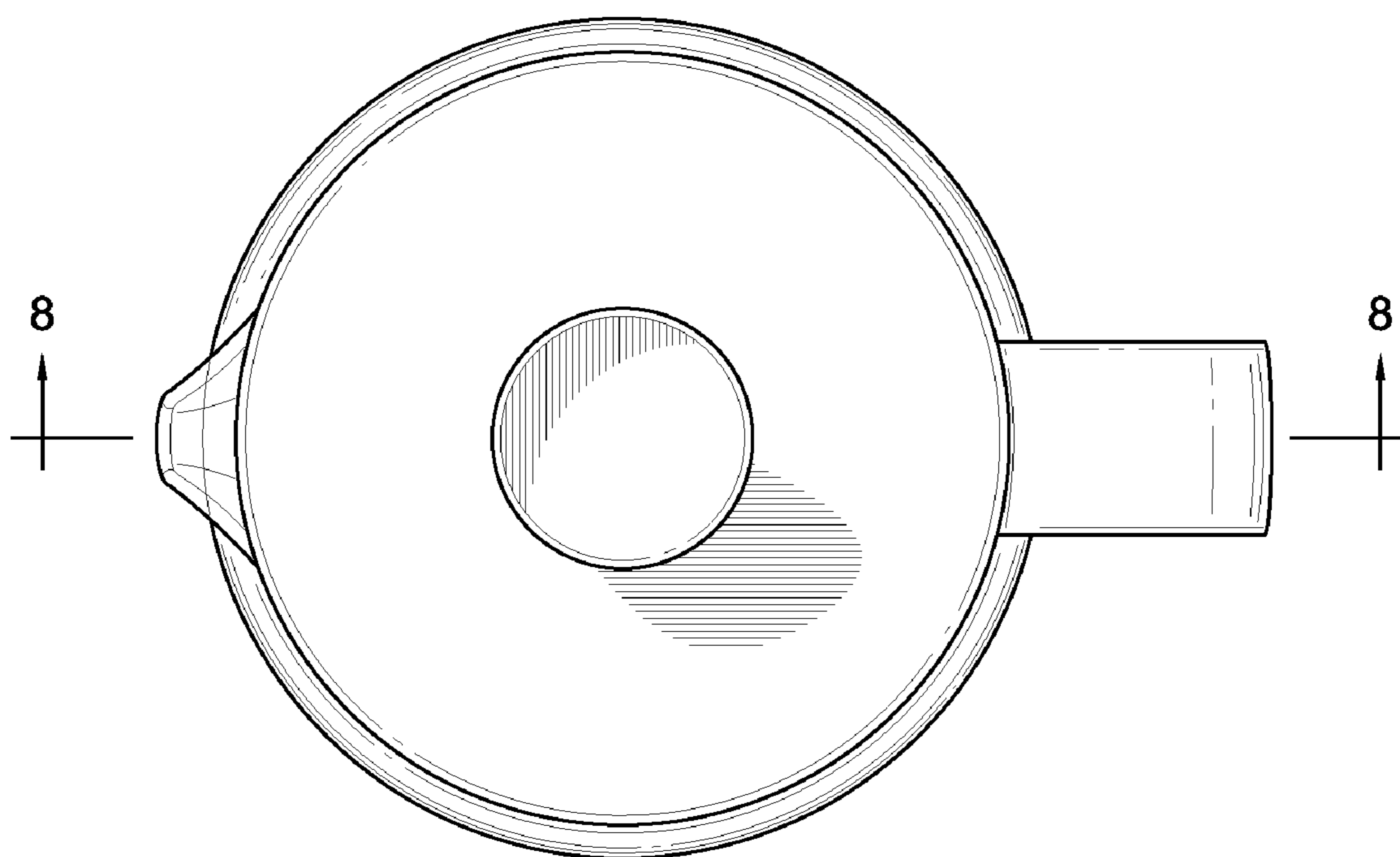


FIG. 6

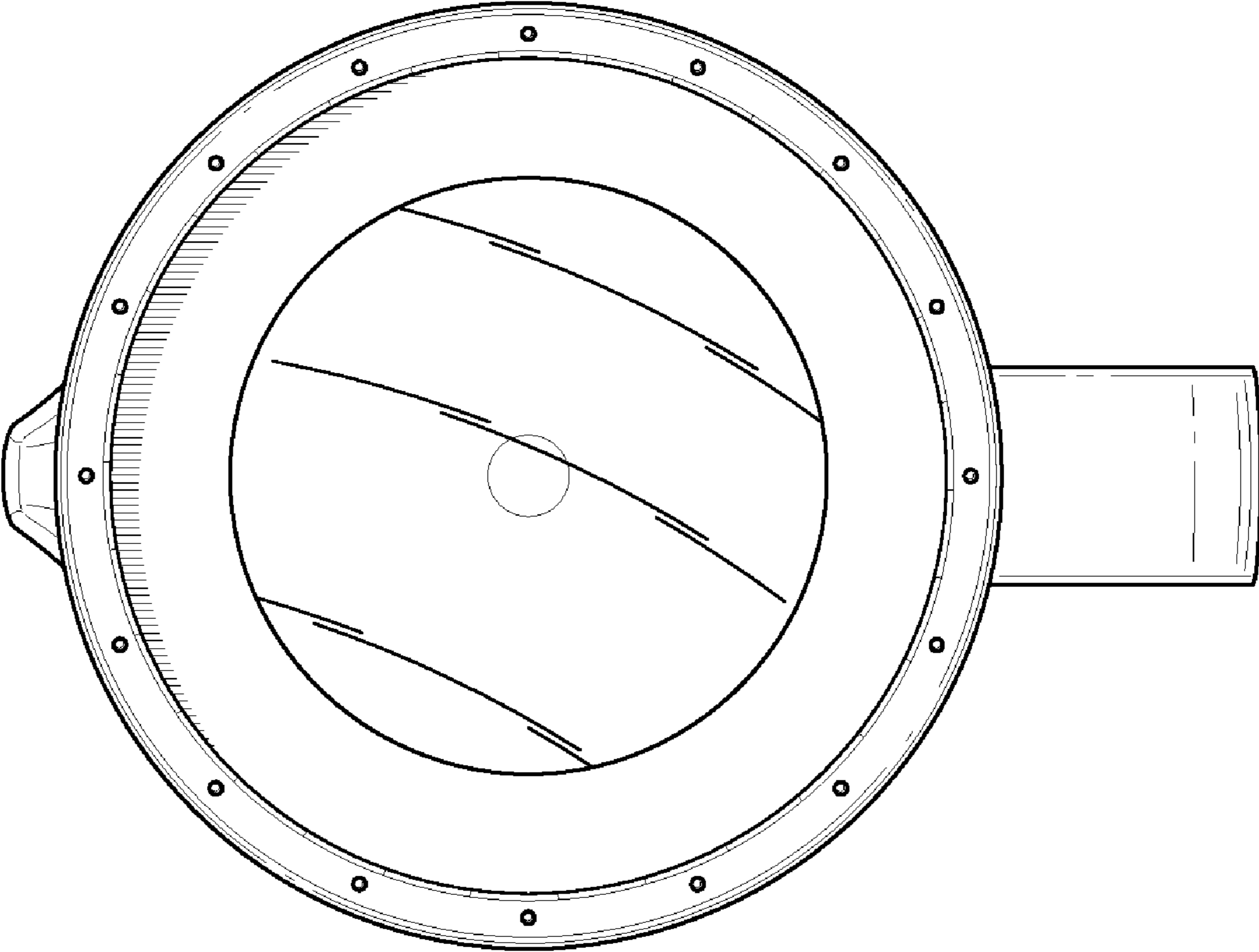


FIG. 7



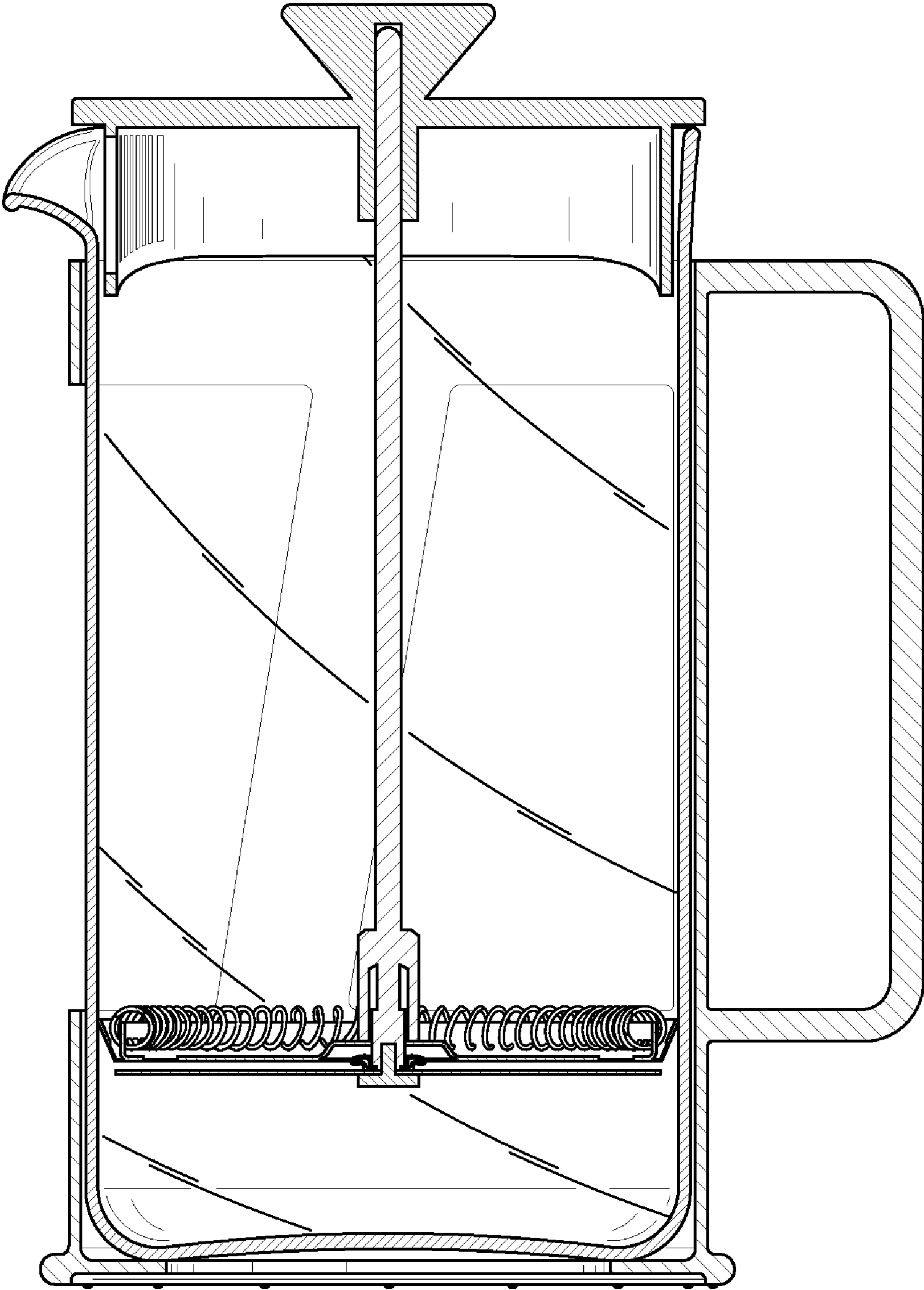


FIG. 8

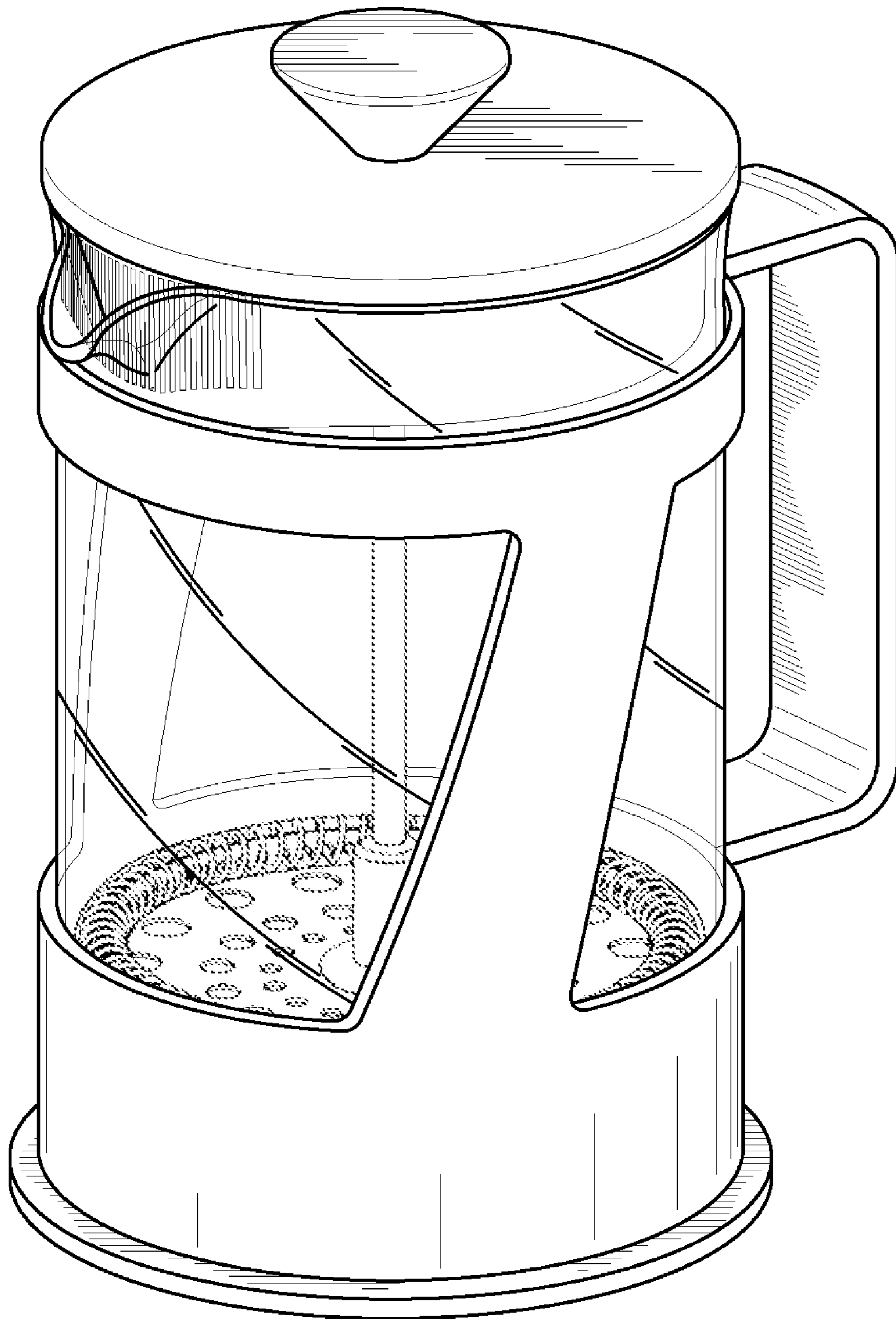
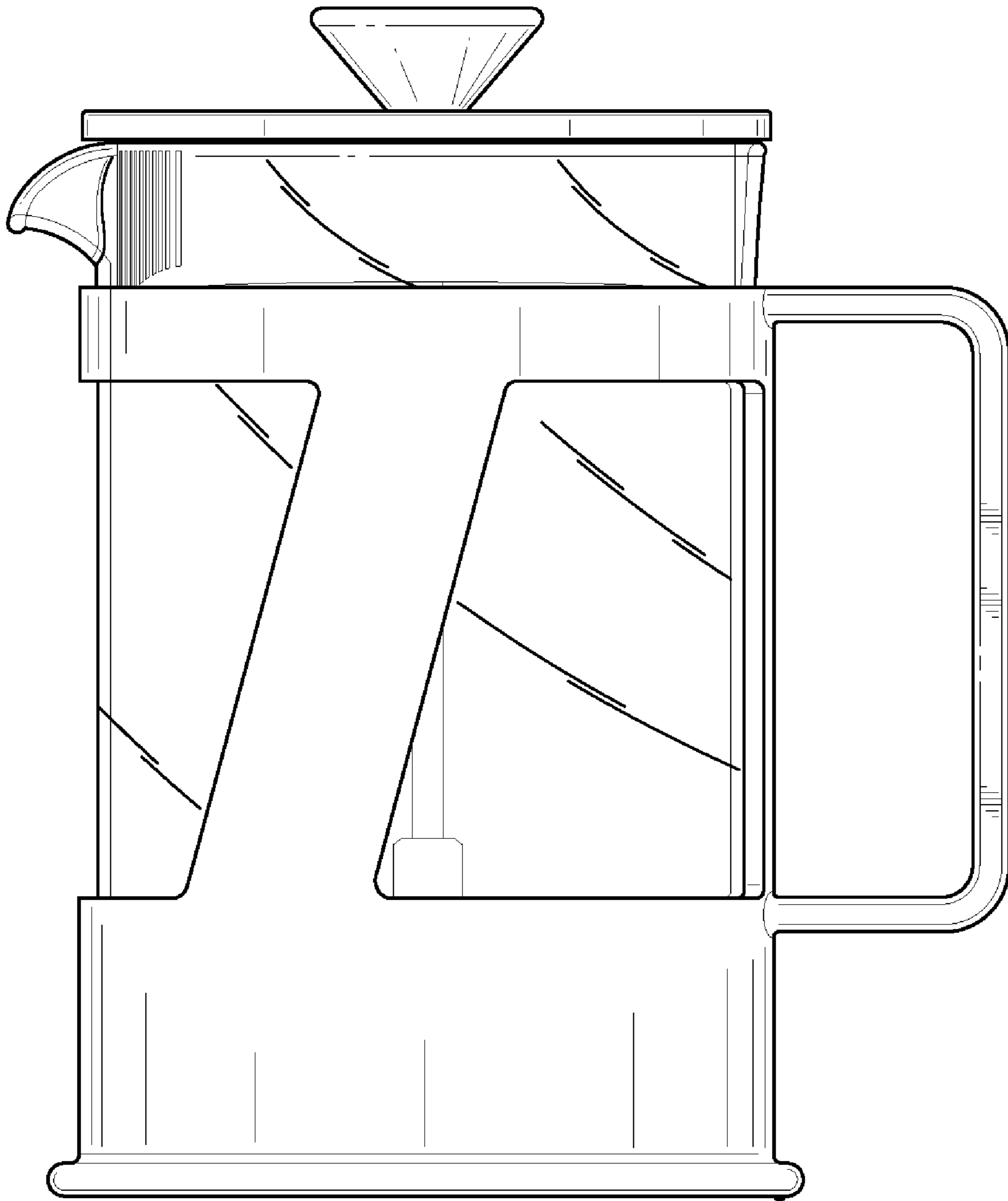
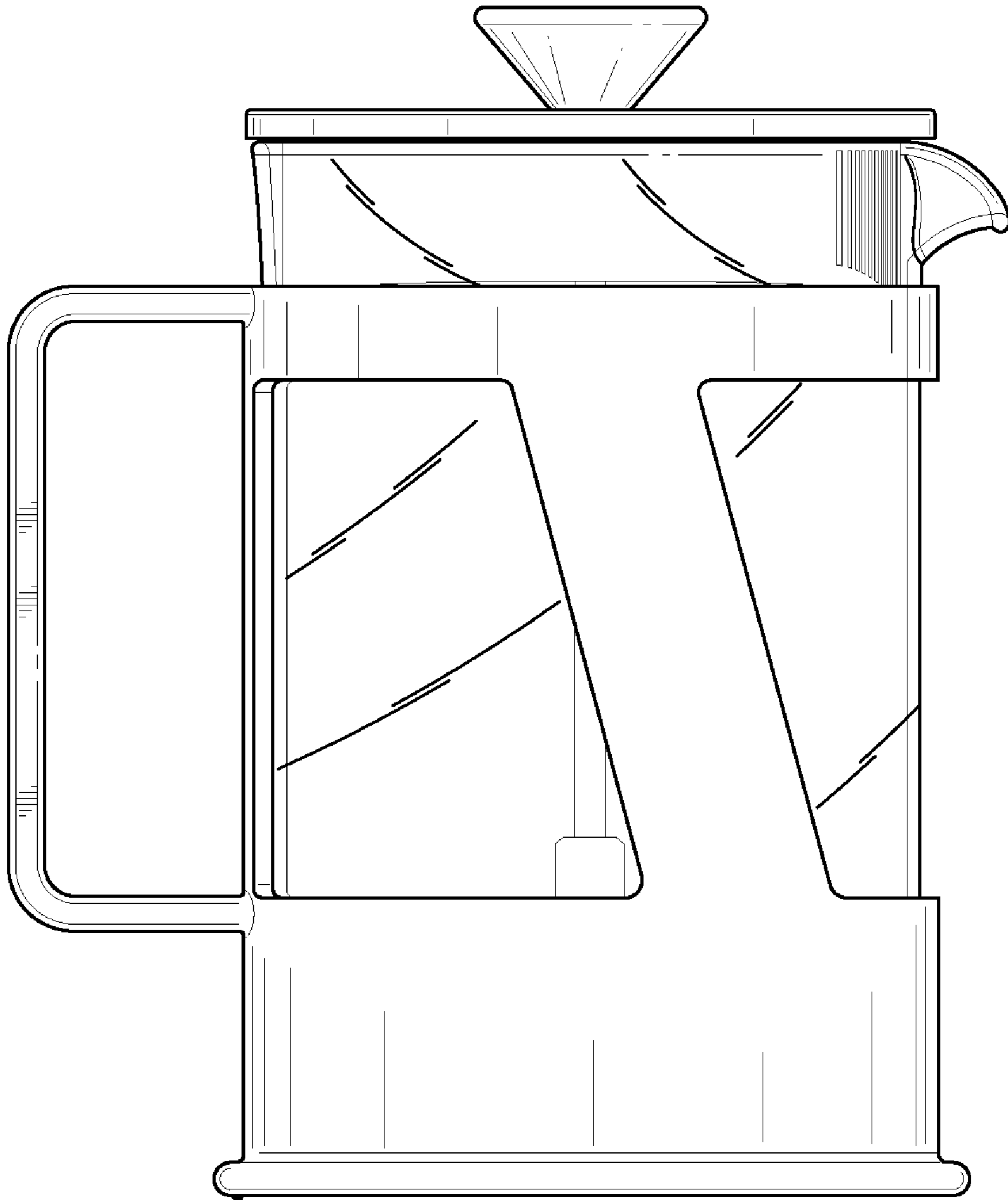


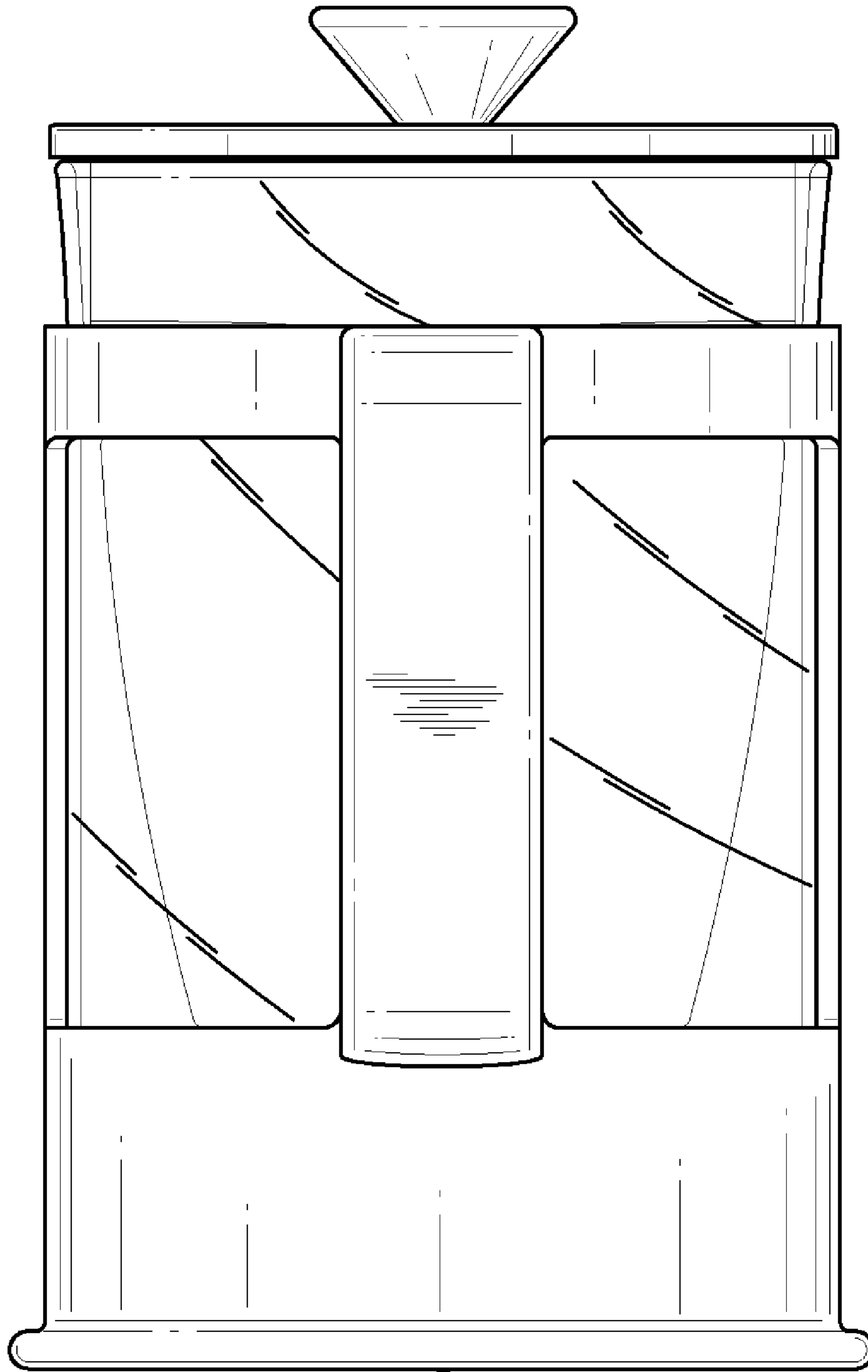
FIG. 9



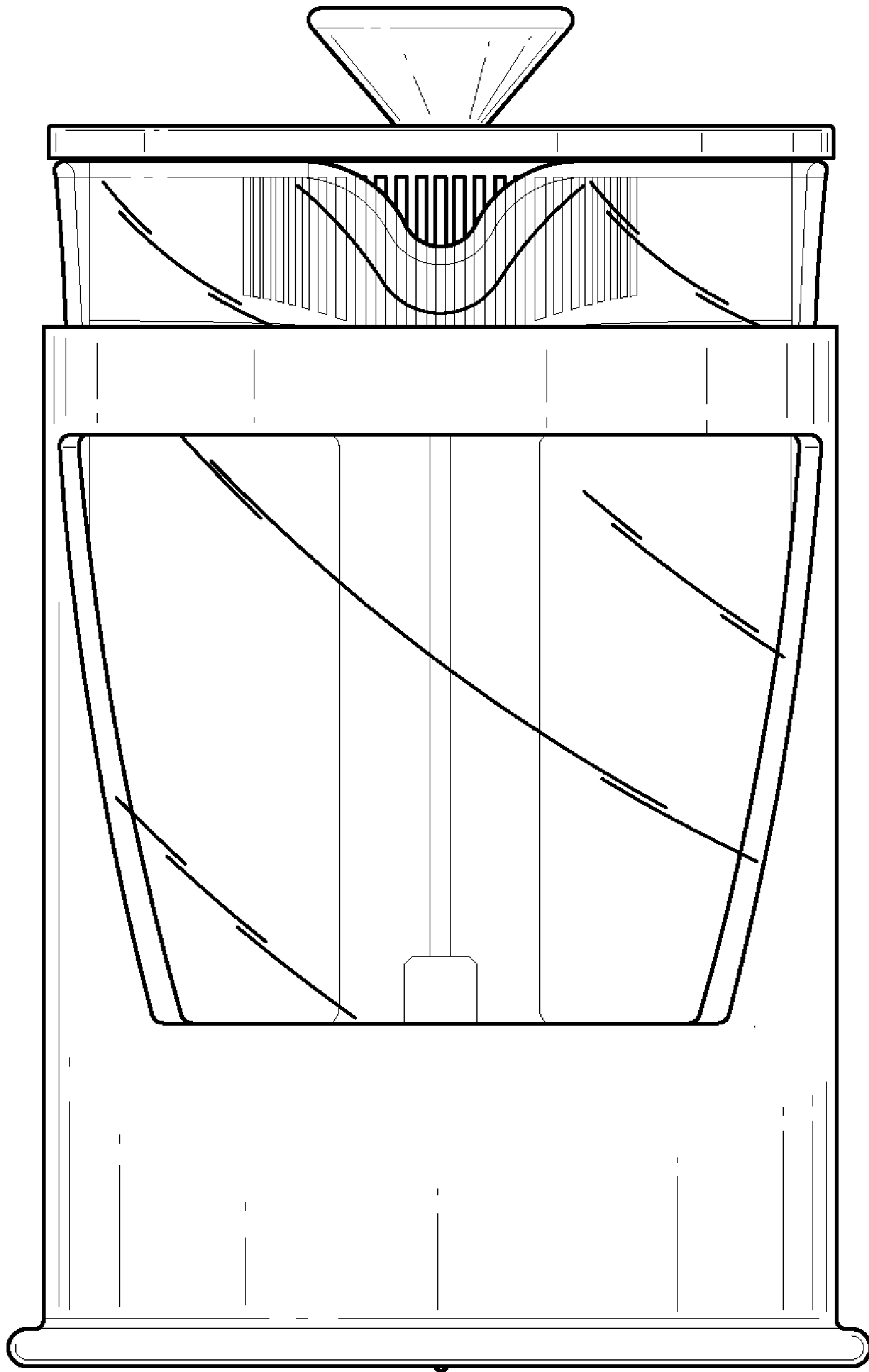
**FIG. 10**



**FIG. 11**



**FIG. 12**



**FIG. 13**

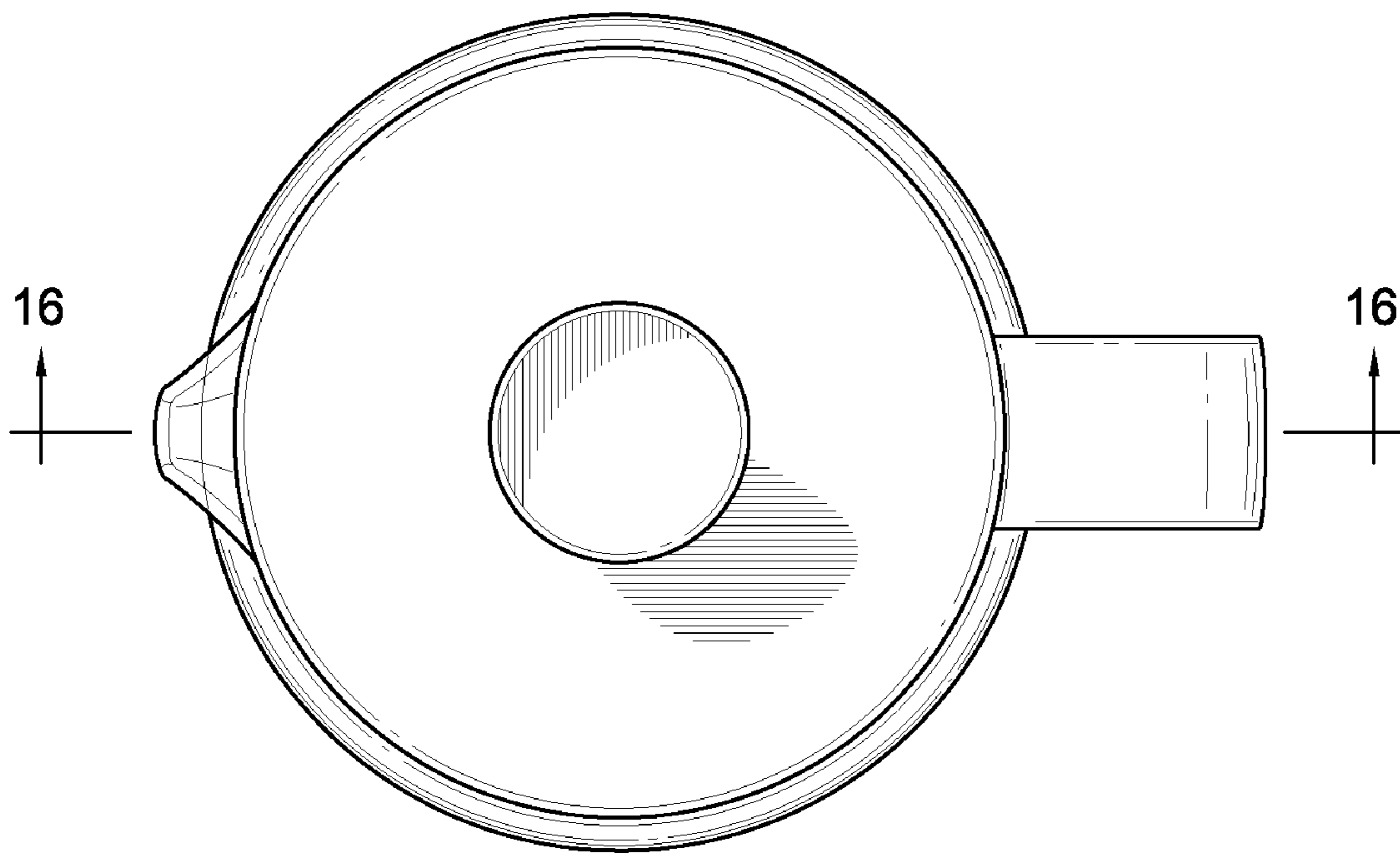


FIG. 14

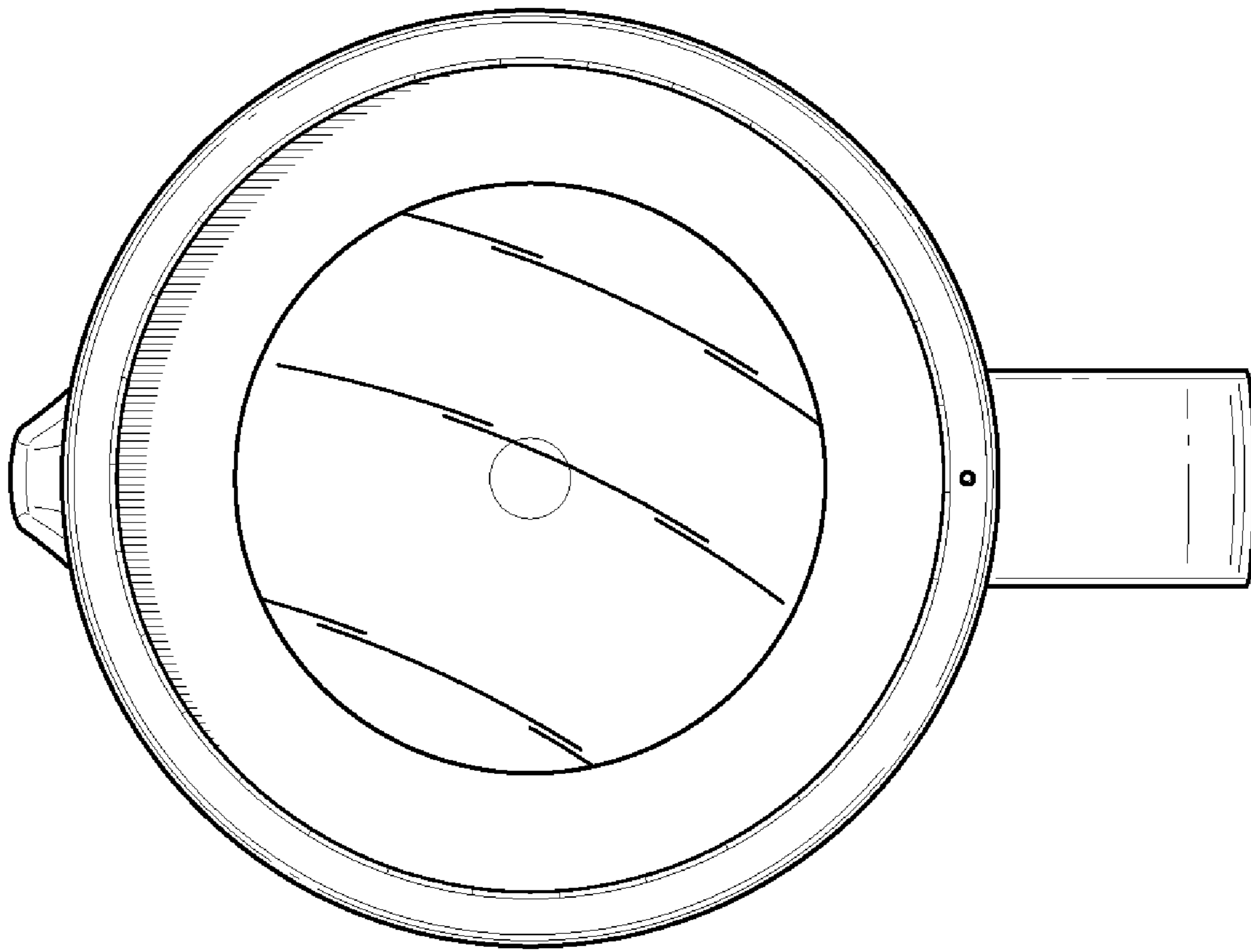


FIG. 15



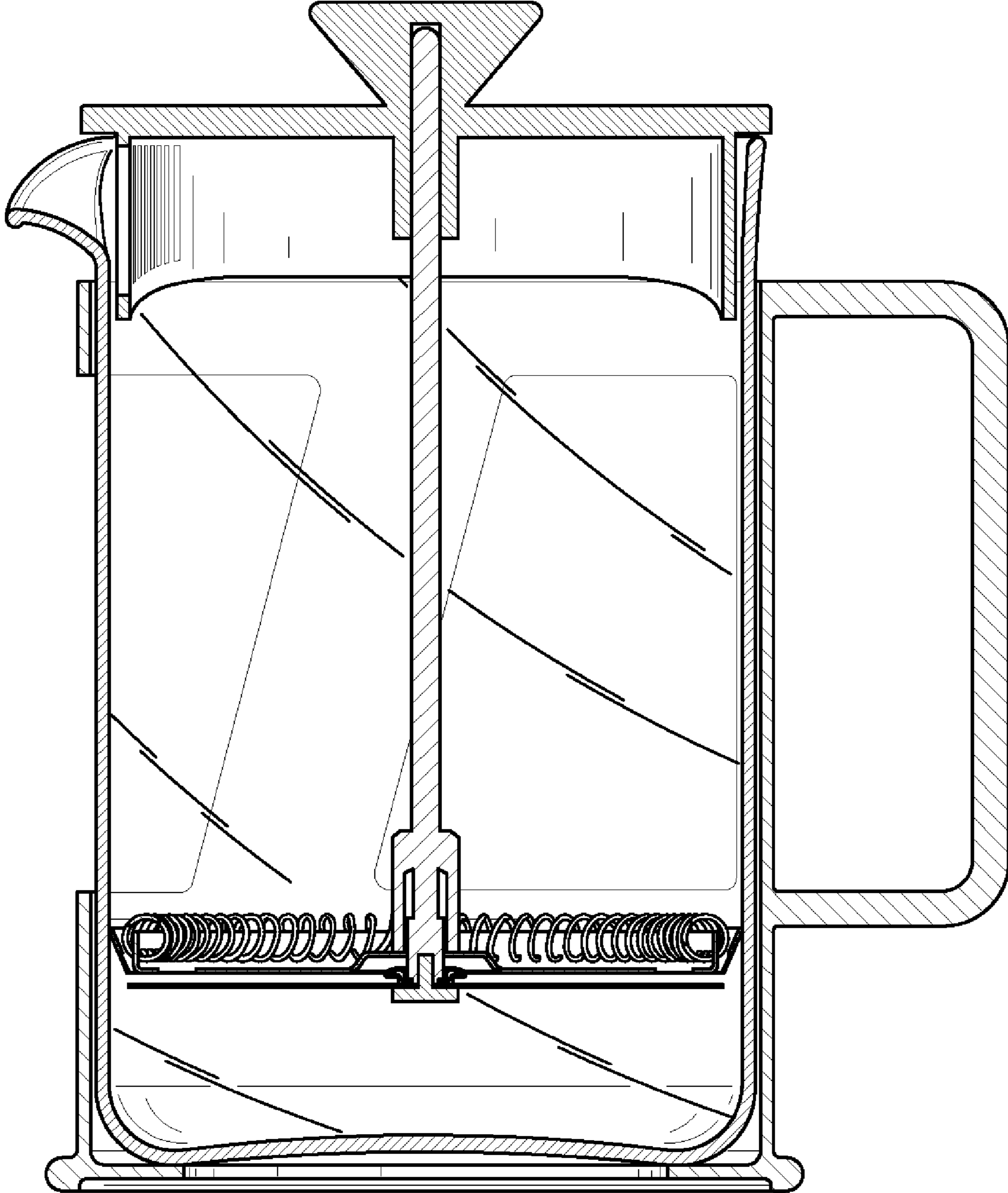


FIG. 16