



US00D594266S

(12) **United States Design Patent**
Nakatani

(10) **Patent No.:** **US D594,266 S**
(45) **Date of Patent:** **** Jun. 16, 2009**

(54) **THERMOS BOTTLE**
(75) Inventor: **Shizuo Nakatani**, Osaka (JP)
(73) Assignee: **Zojirushi Corporation**, Osaka (JP)
(**) Term: **14 Years**
(21) Appl. No.: **29/292,891**
(22) Filed: **Oct. 31, 2007**

D570,148 S * 6/2008 Garman D7/306
D570,149 S * 6/2008 Truong D7/309
D581,196 S * 11/2008 Kassenaar D7/306
D581,197 S * 11/2008 Kassenaar D7/306
D582,193 S * 12/2008 Picozza et al. D7/306
2006/0016343 A1 * 1/2006 Tobin et al. 99/275

* cited by examiner

Primary Examiner—Marianne Pandozzi
(74) *Attorney, Agent, or Firm*—William L. Androlia; H. Henry Koda

(30) **Foreign Application Priority Data**
May 17, 2007 (JP) 2007-013062

(57) **CLAIM**

The ornamental design for a thermos bottle, as shown and described.

(51) **LOC (9) Cl.** **07-01**
(52) **U.S. Cl.** **D7/306; D7/313**
(58) **Field of Classification Search** D7/306-309,
D7/313, 300, 608; 222/105, 484, 185.1;
99/297
See application file for complete search history.

DESCRIPTION

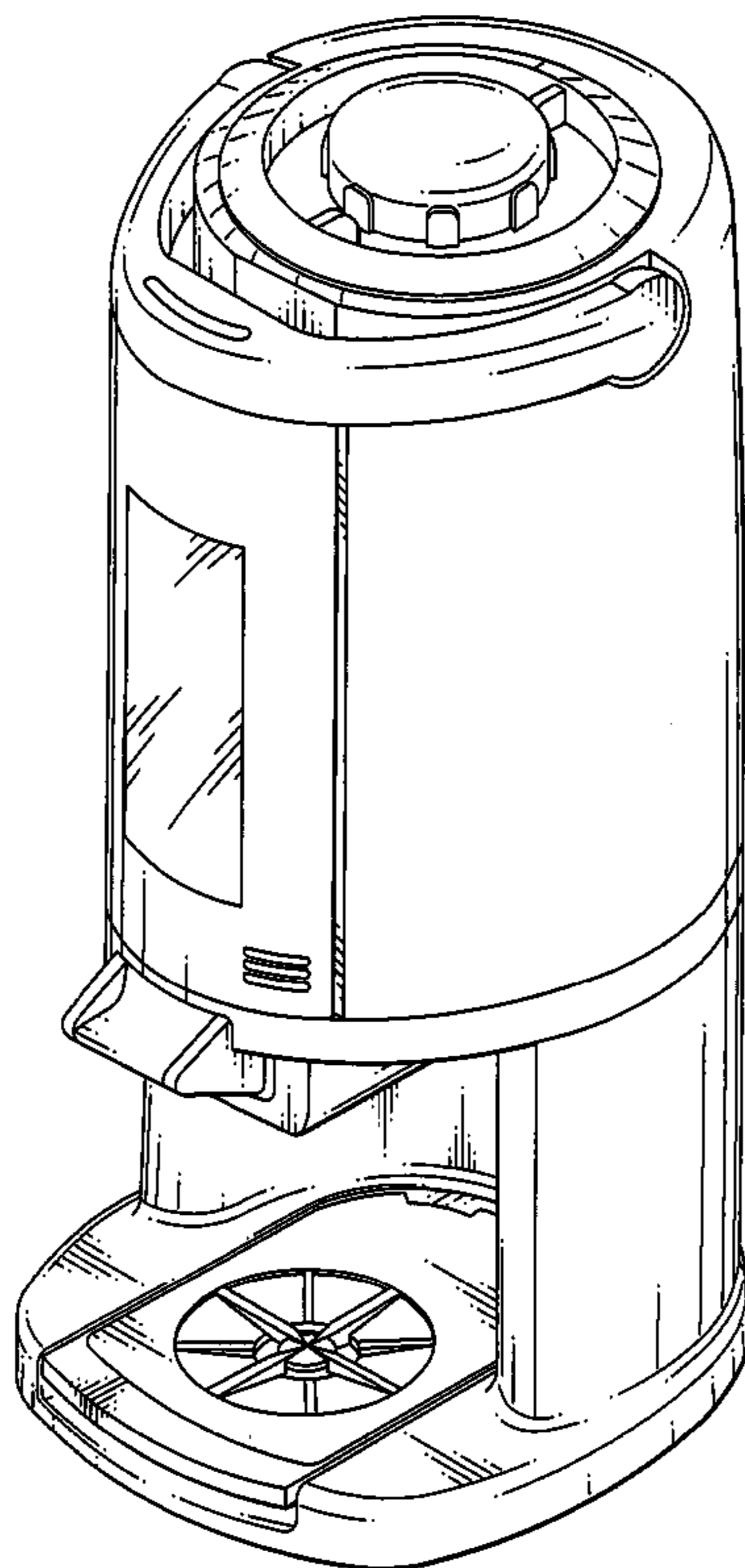
FIG. 1 is a front elevational view of the thermos bottle showing my new design;
FIG. 2 is a rear elevational view thereof;
FIG. 3 is a right side elevational view thereof, the left side elevational view being a mirror image of the right side elevational view;
FIG. 4 is a top plan view thereof;
FIG. 5 is a bottom plan view thereof; and,
FIG. 6 is a perspective view taken from the top, front and right side of the thermos bottle.

(56) **References Cited**

U.S. PATENT DOCUMENTS

D356,713 S * 3/1995 Groover D7/306
D385,747 S * 11/1997 Inoue D7/311
D419,362 S * 1/2000 Bouhuys D7/306
D431,145 S * 9/2000 Woebcke et al. D7/306
D464,226 S * 10/2002 Lassota et al. D7/306
D478,460 S * 8/2003 Chiu D7/306
D563,142 S * 3/2008 Kauer D7/306

1 Claim, 6 Drawing Sheets



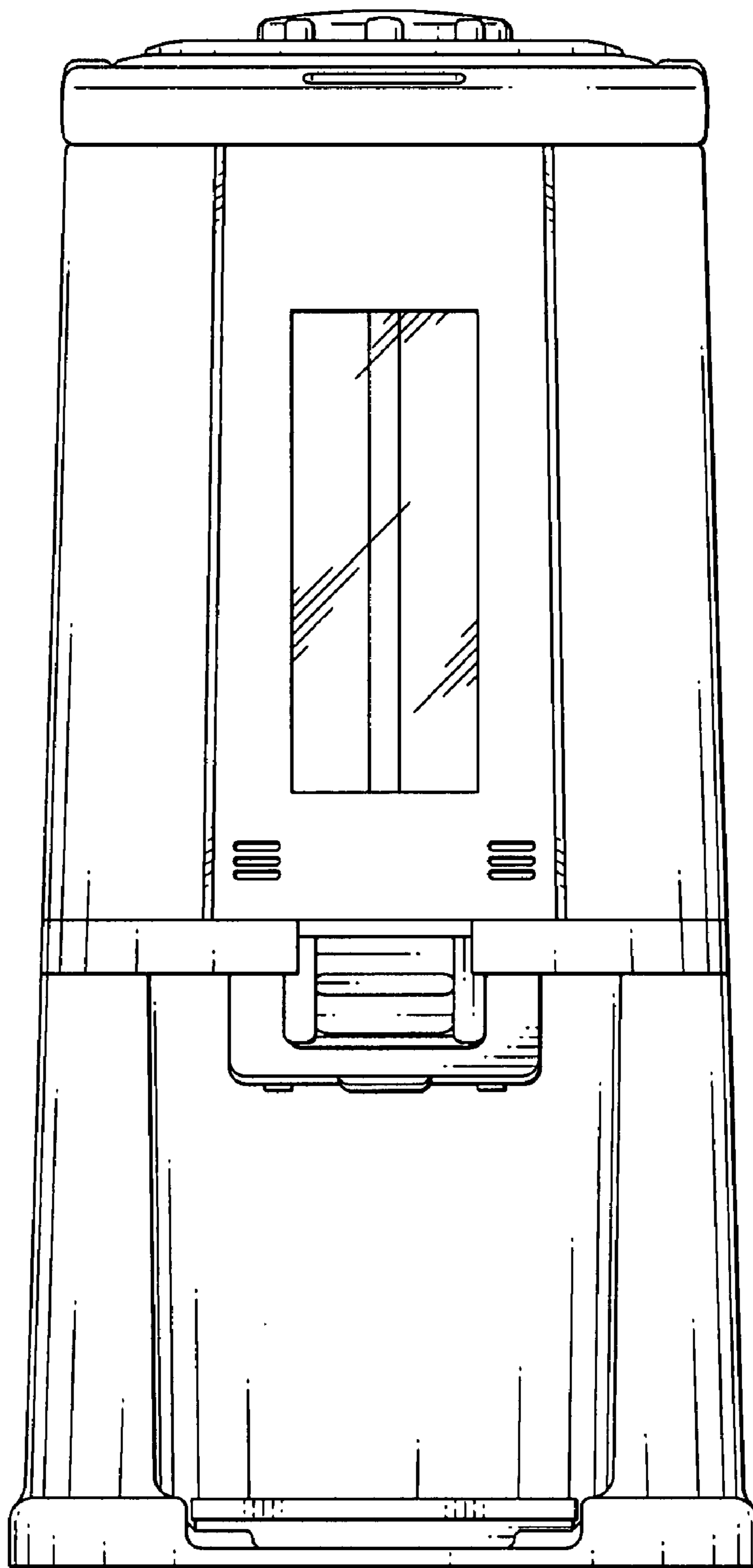


FIG. 1

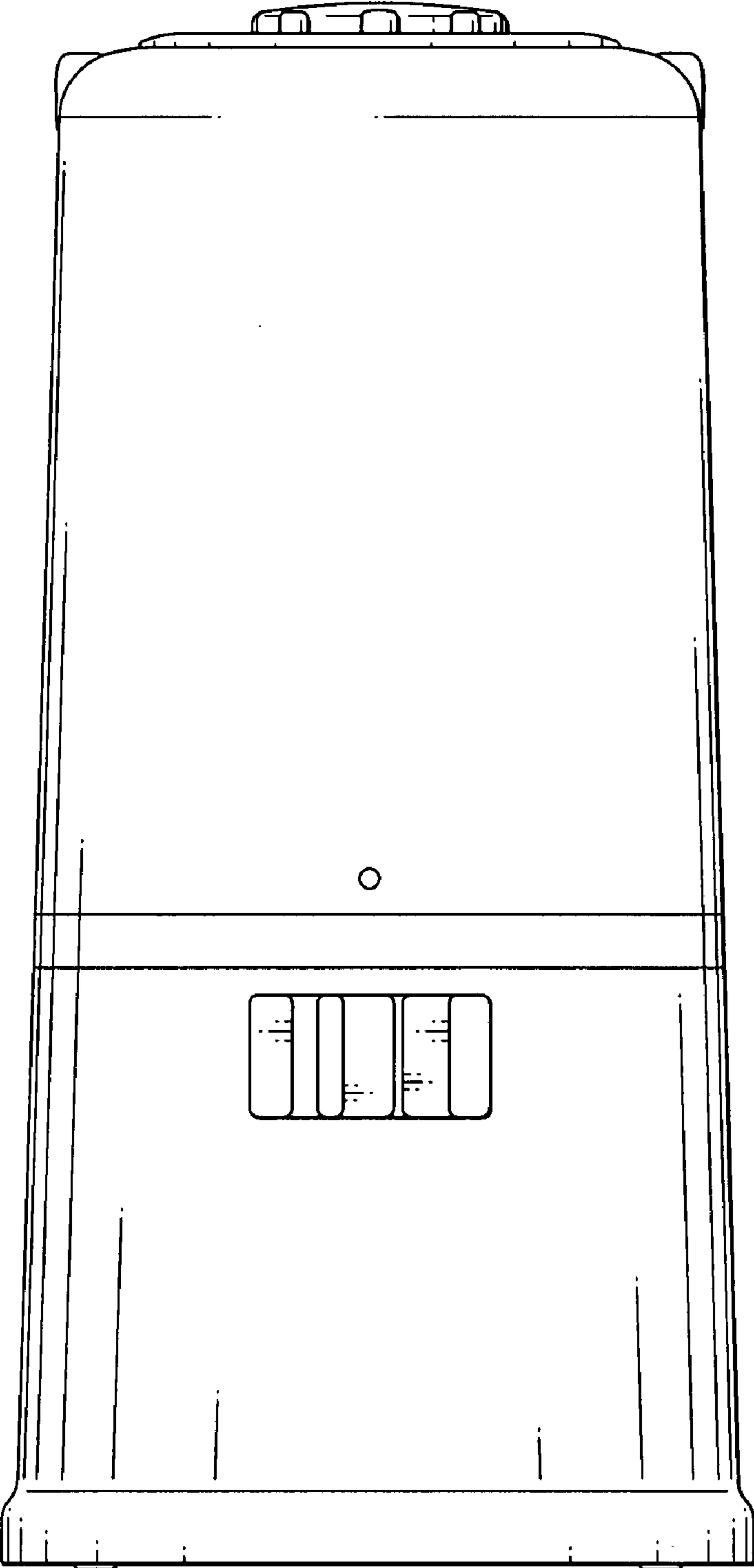


FIG. 2

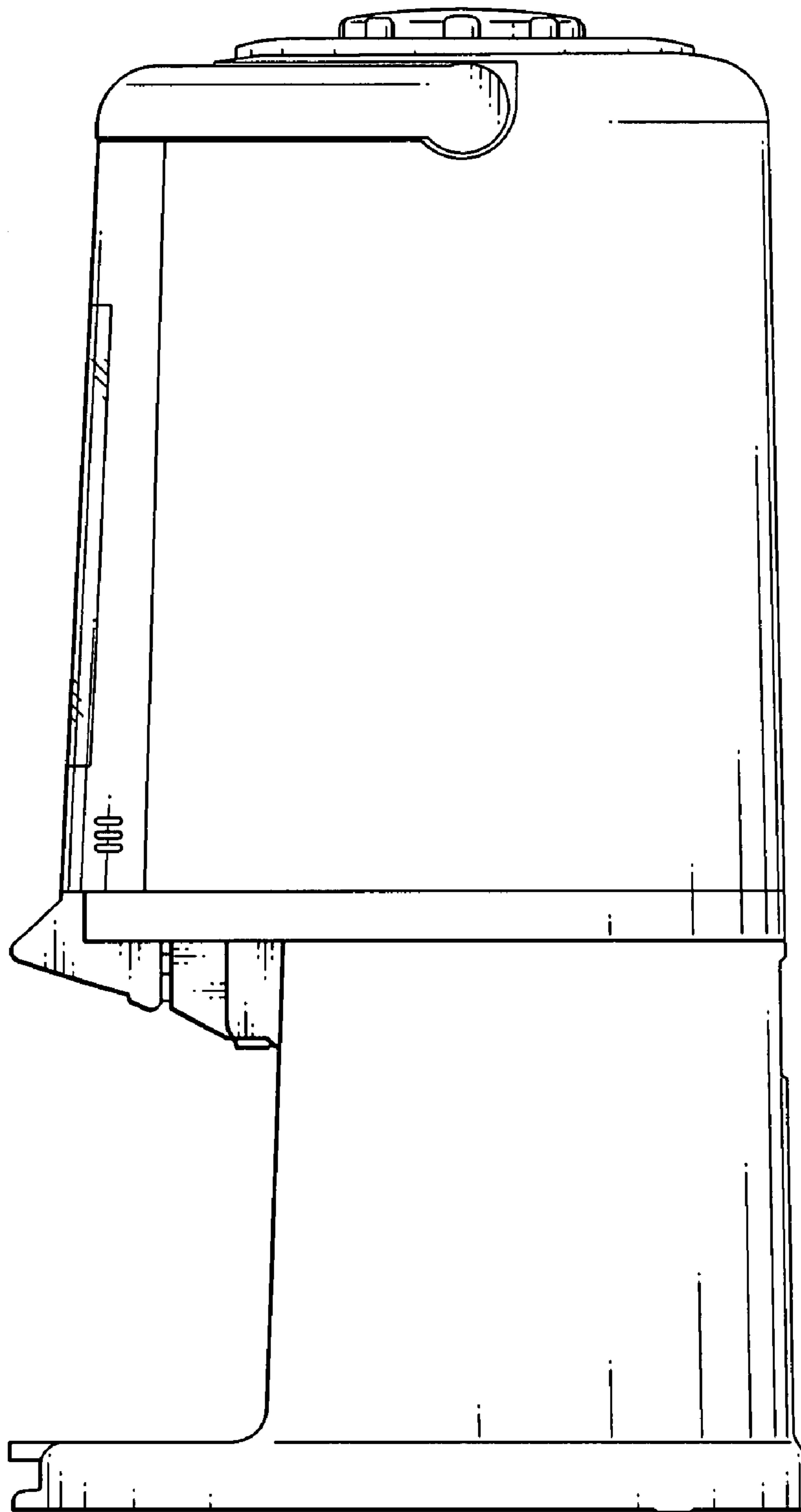


FIG. 3

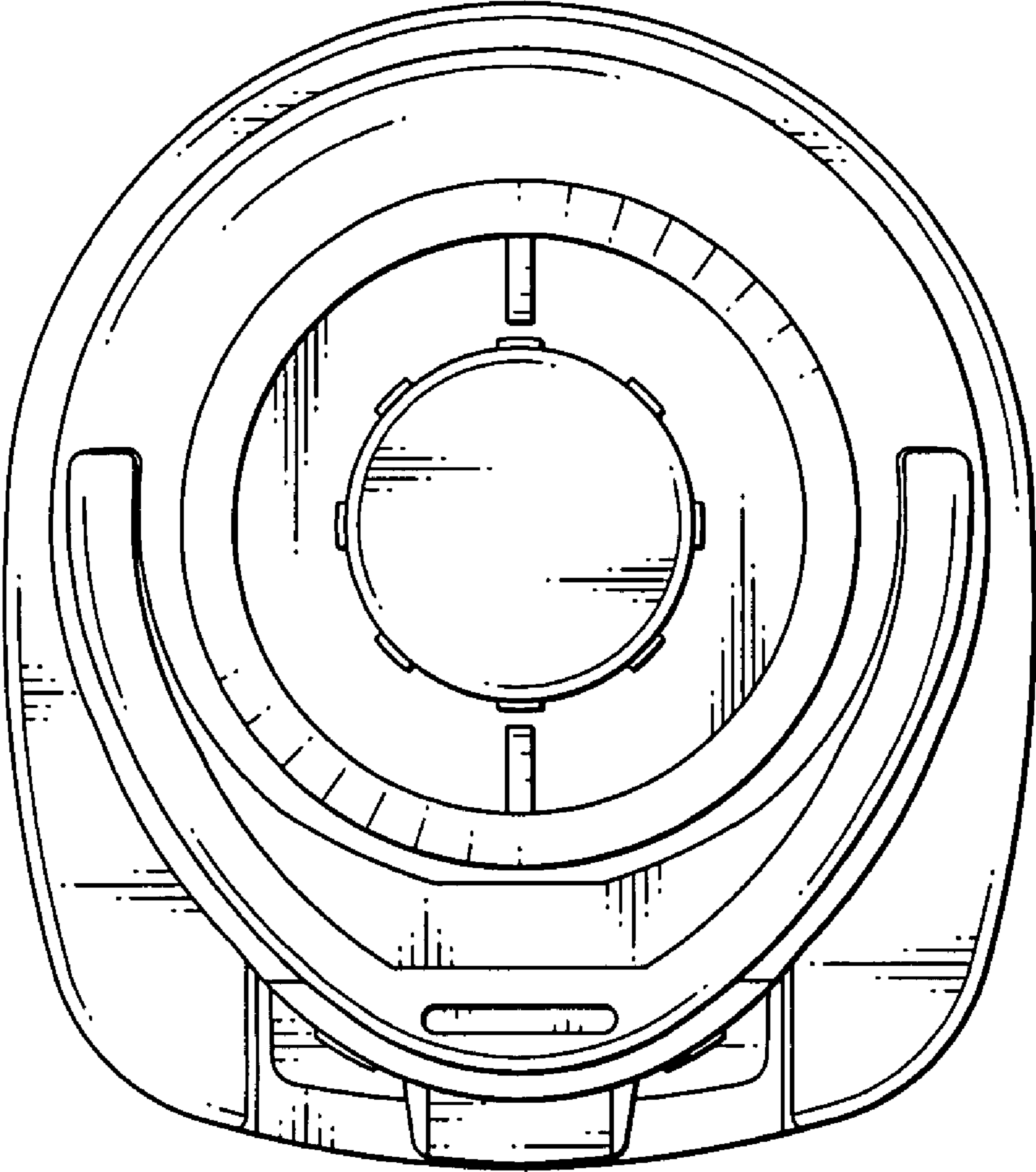


FIG. 4

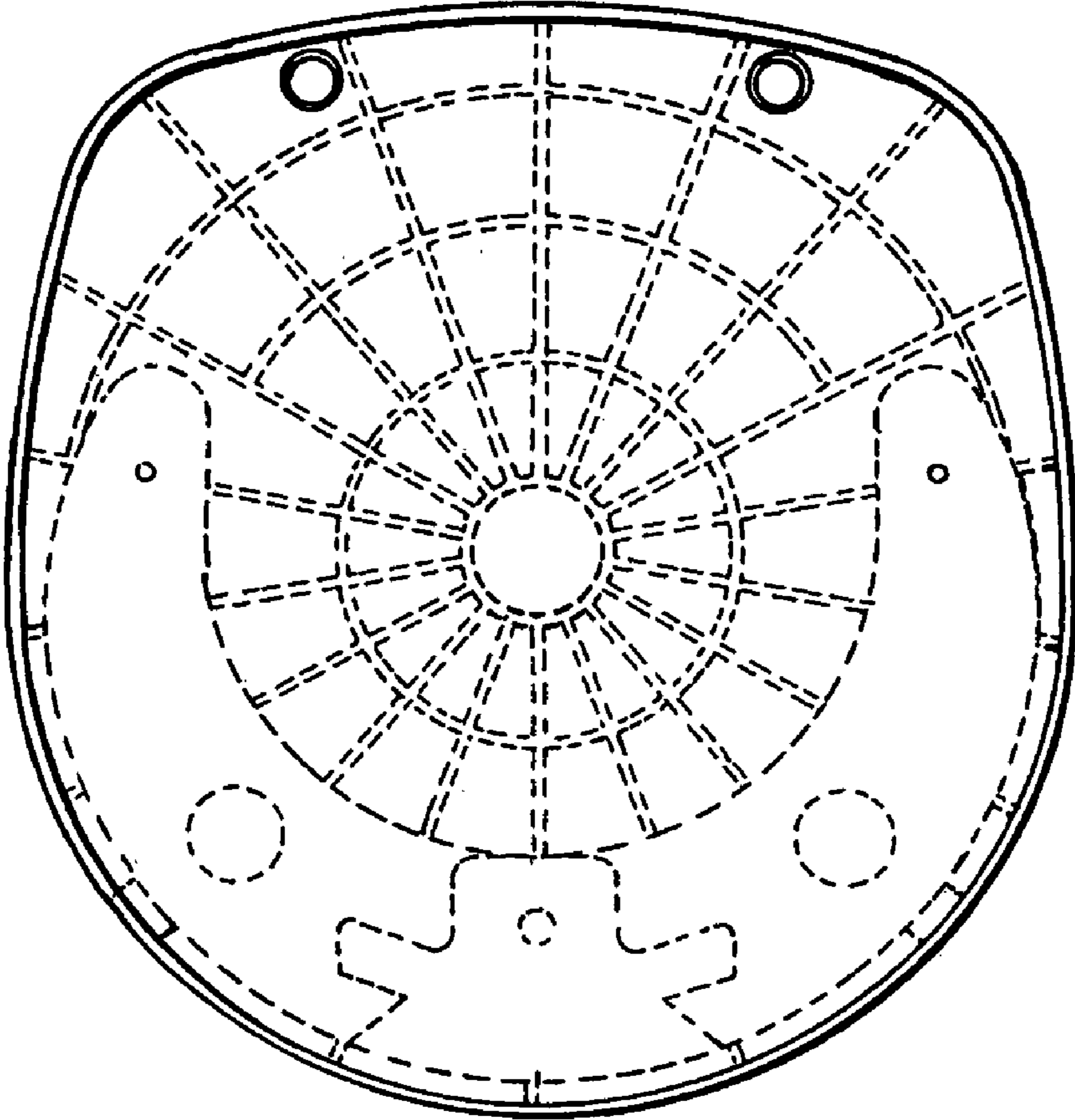


FIG. 5

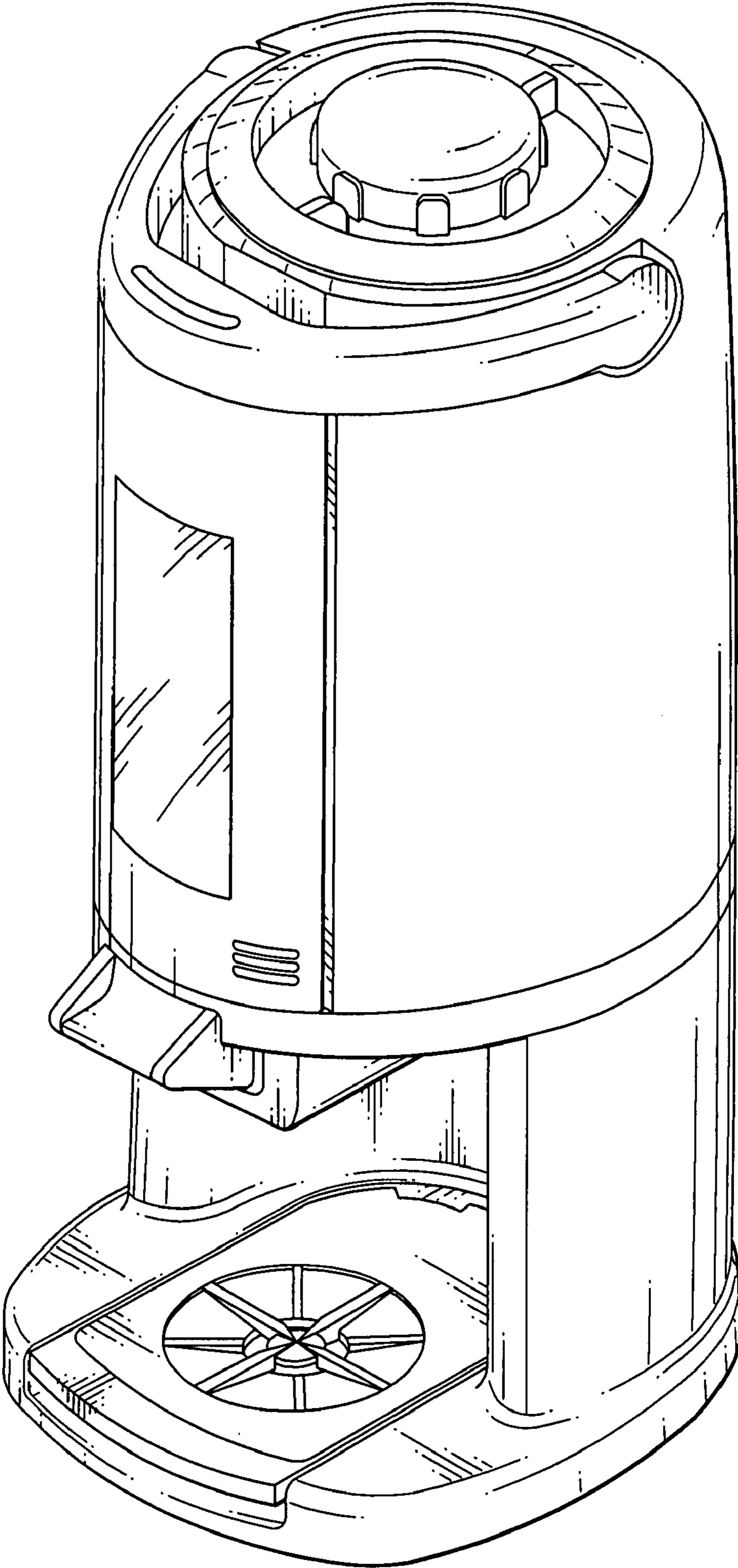


FIG. 6