

US00D594264S

(12) **United States Design Patent**  
**Crocker**

(10) **Patent No.:** **US D594,264 S**  
(45) **Date of Patent:** **\*\* Jun. 16, 2009**

(54) **BATHTUB PILLOW**

(76) Inventor: **John L. Crocker**, 842 Monument St.,  
Concord, MA (US) 01742

(\*\*) Term: **14 Years**

(21) Appl. No.: **29/308,289**

(22) Filed: **Jun. 9, 2008**

(51) **LOC (9) Cl.** ..... **06-09**

(52) **U.S. Cl.** ..... **D6/601; D6/604**

(58) **Field of Classification Search** ..... D6/595-599,  
D6/601, 604; D21/809; 5/630, 633, 636,  
5/637, 639, 735, 652-656, 655.3, 655.9,  
5/706, 910, 922, 420; D23/304; 4/575.1

See application file for complete search history.

(56) **References Cited**

**U.S. PATENT DOCUMENTS**

1,898,272	A	2/1933	Stern	
2,461,880	A *	2/1949	Curran	4/575.1
3,078,474	A	2/1963	Chaitlen	
5,014,373	A	5/1991	Dobine	
5,140,713	A	8/1992	Pesterfield	
5,423,098	A *	6/1995	Swezey et al.	5/633

D359,870	S	7/1995	McLaughlin	
5,471,691	A	12/1995	Ryndak	
D427,833	S *	7/2000	Robinson	D6/601
D465,686	S	11/2002	Hwong	
D466,749	S	12/2002	O'Quinn	
D479,083	S	9/2003	Oates	
6,691,337	B1	2/2004	Banks	
7,284,290	B1 *	10/2007	Swezey et al.	5/633

\* cited by examiner

*Primary Examiner*—Janice E Seeger

(57) **CLAIM**

The ornamental design for a bathtub pillow, as shown and described.

**DESCRIPTION**

FIG. 1 is a front elevated view of a bathtub pillow showing my new design;

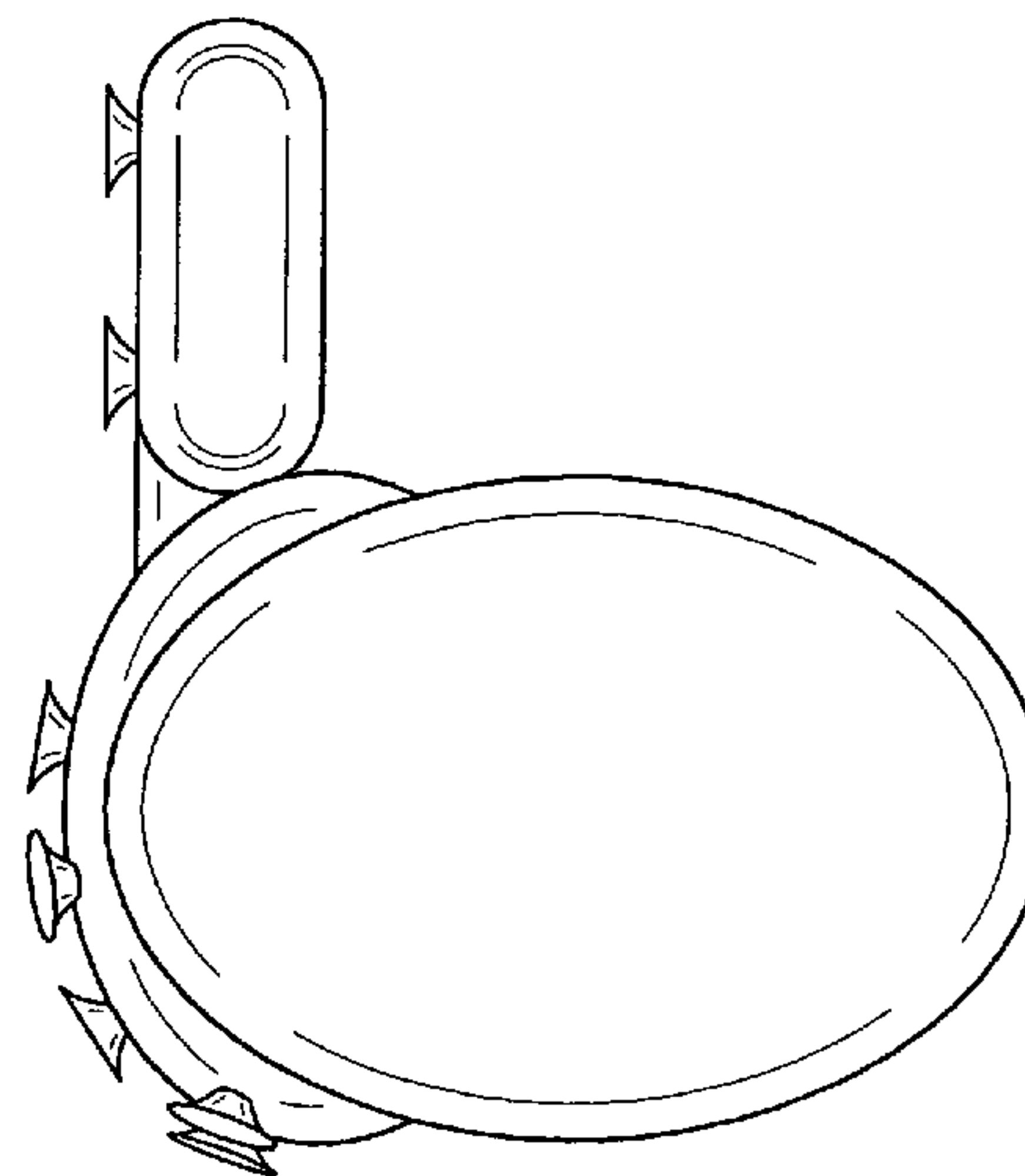
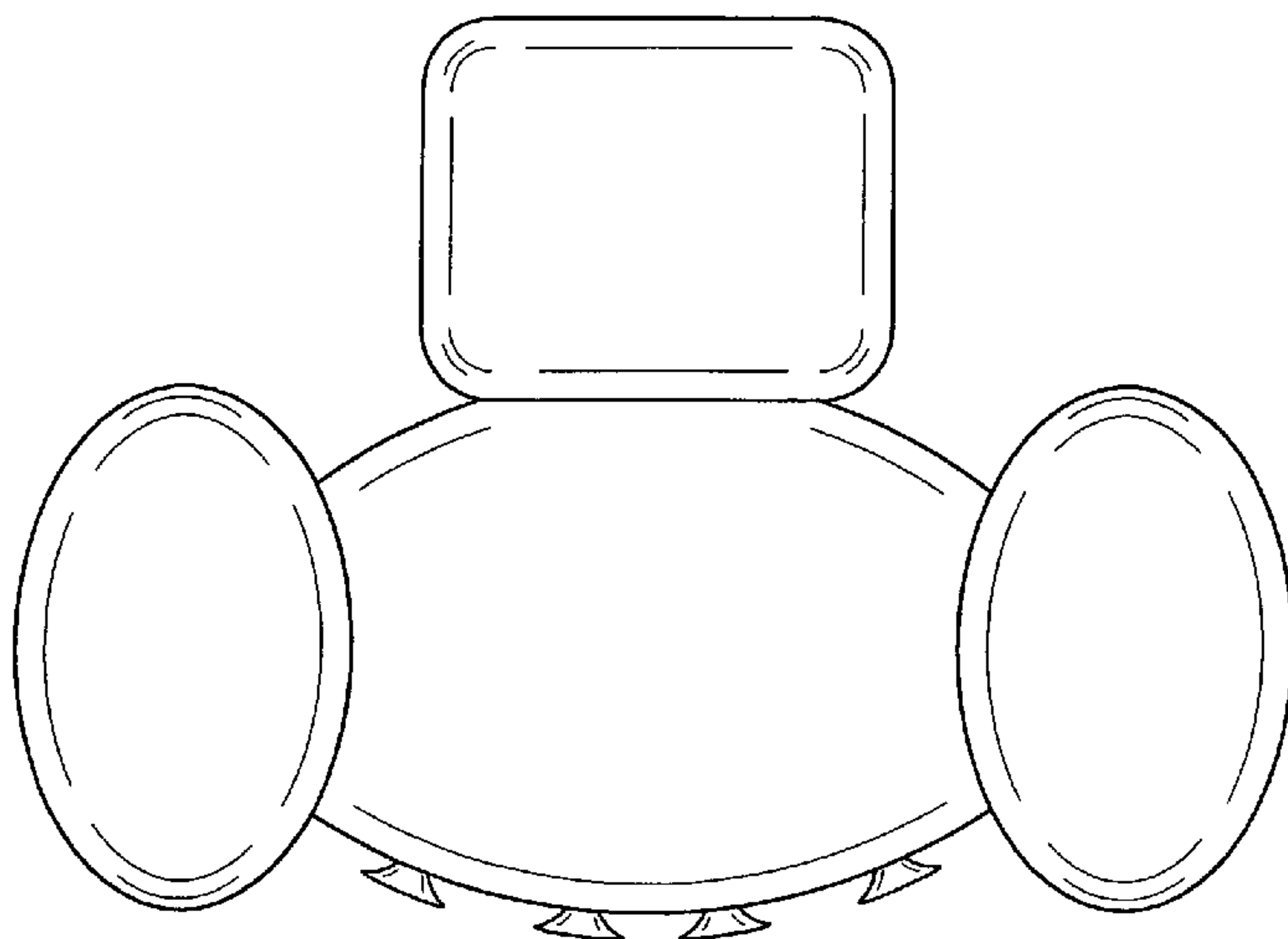
FIG. 2 is a rear elevated view of the bathtub pillow;

FIG. 3 is a side elevated view of the bathtub pillow;

FIG. 4 is a top plan view of the bathtub pillow; and,

FIG. 5 is a bottom plan view of the bathtub pillow.

**1 Claim, 3 Drawing Sheets**



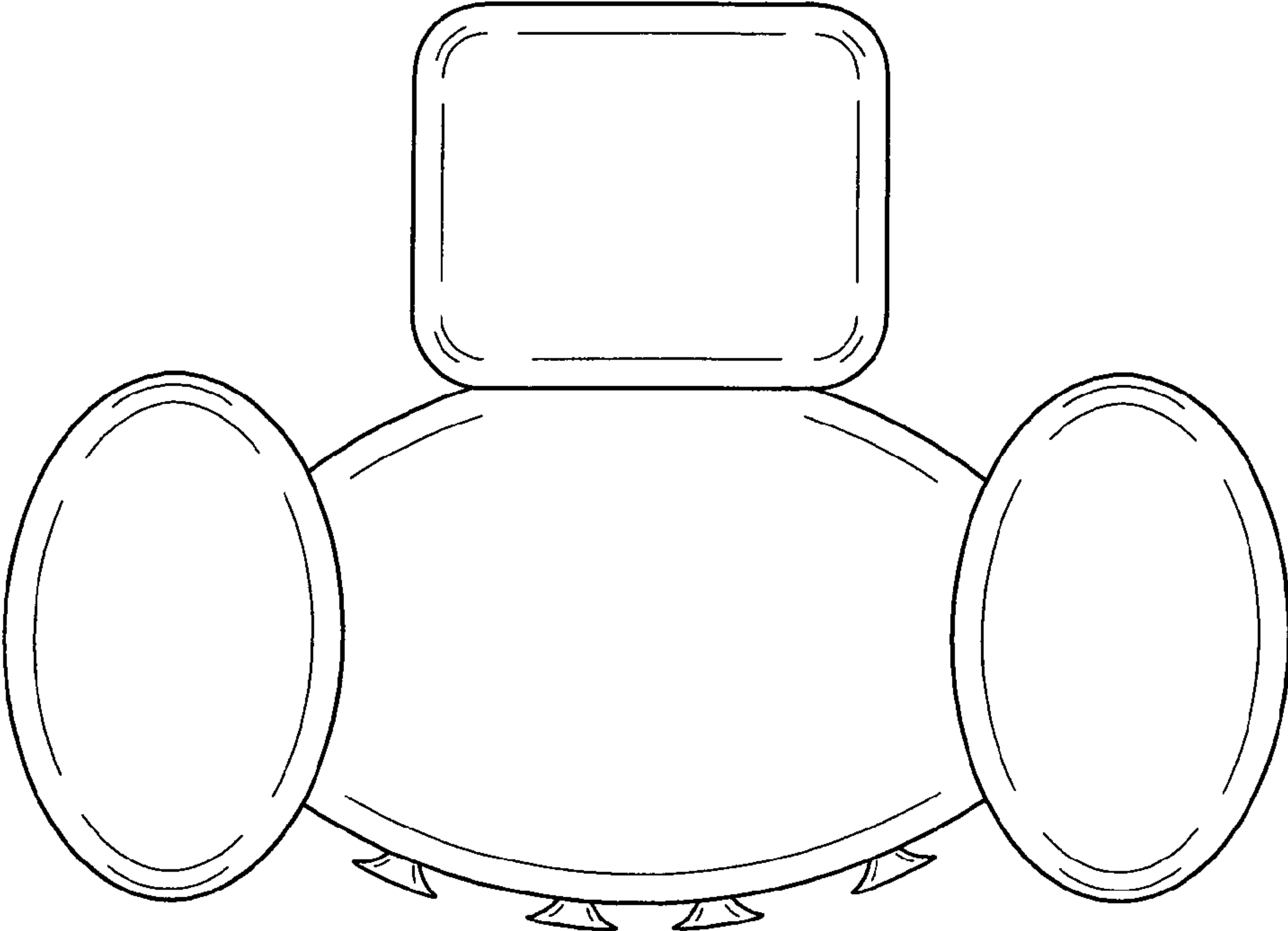


FIG. 1

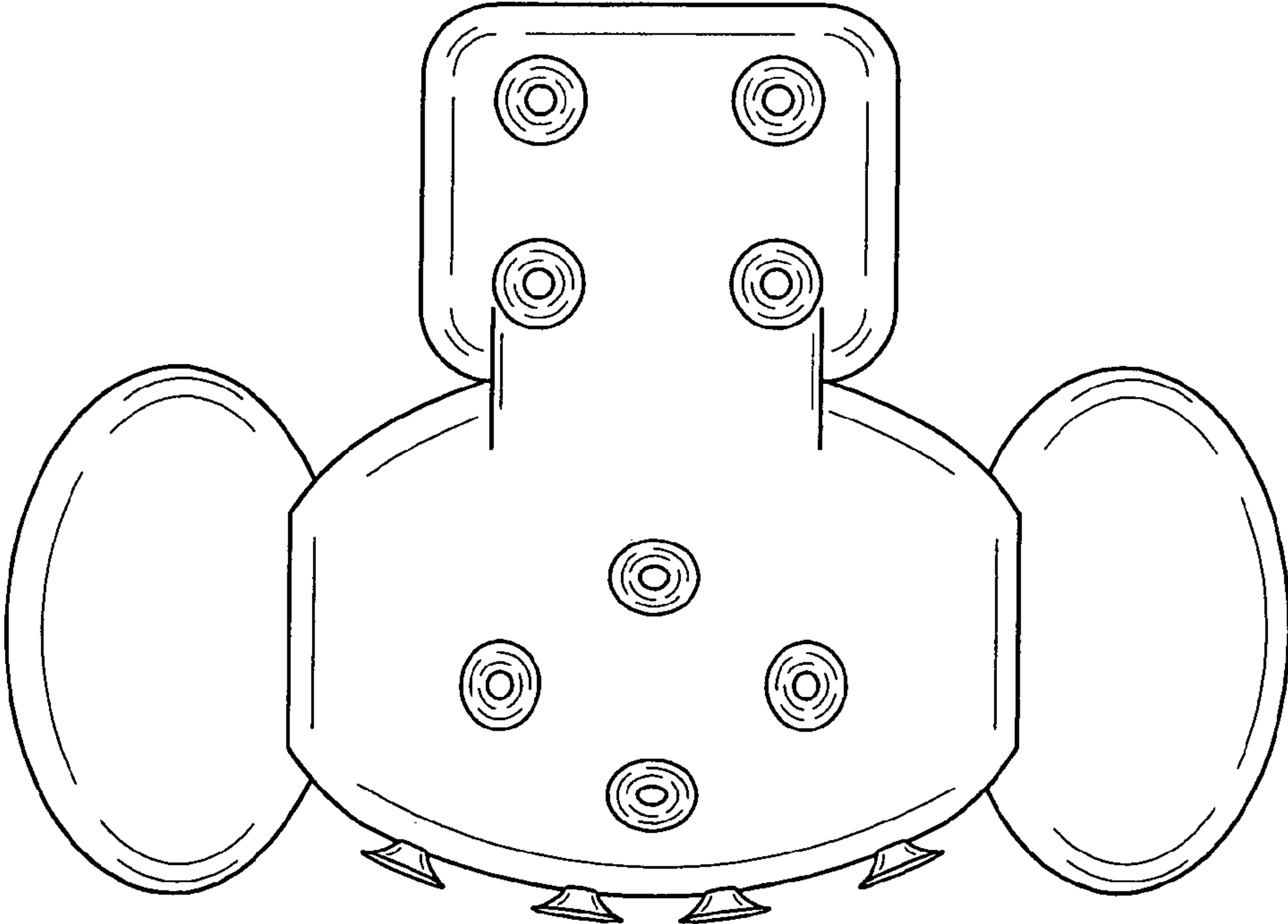


FIG. 2

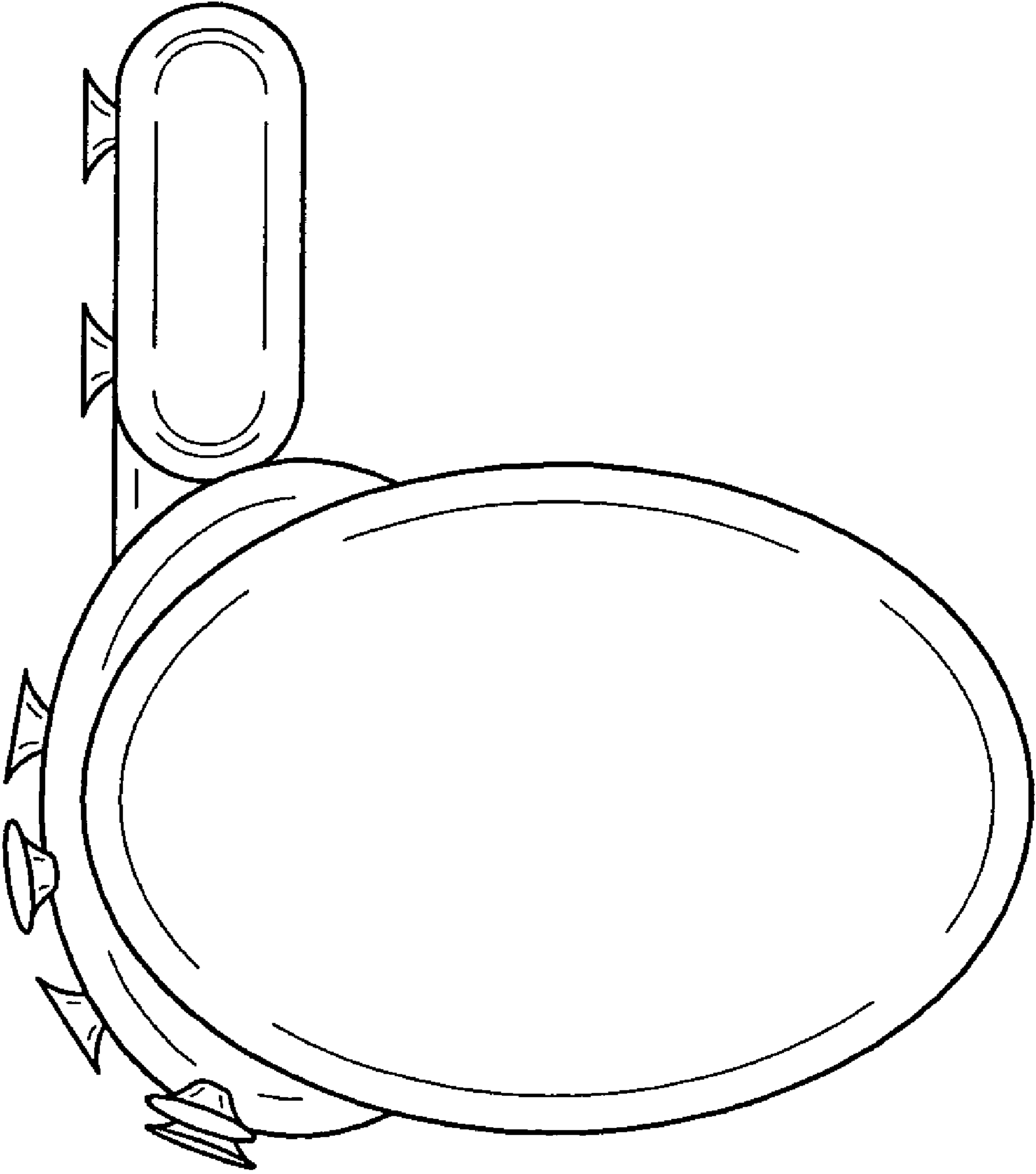


FIG. 3

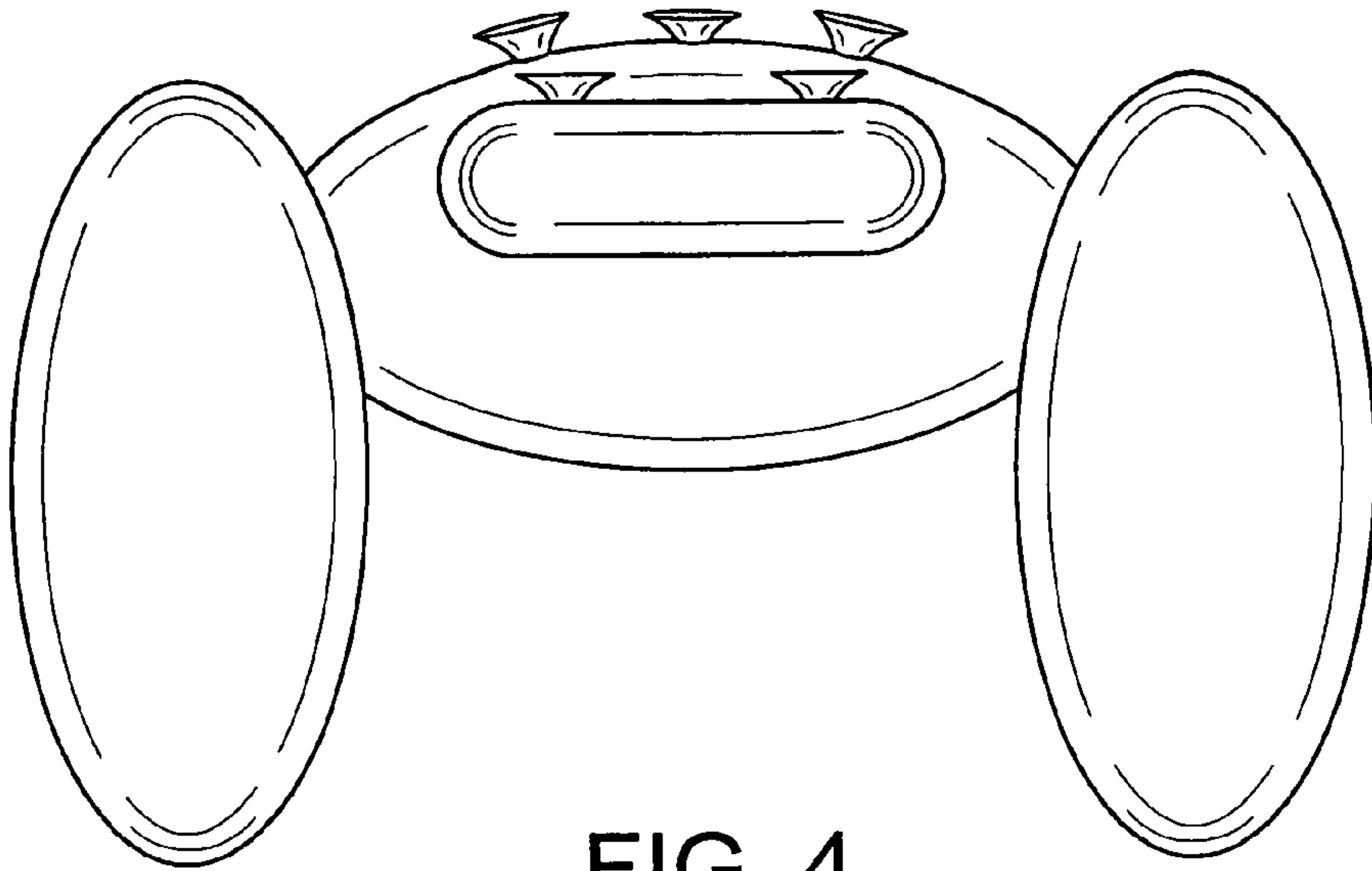


FIG. 4

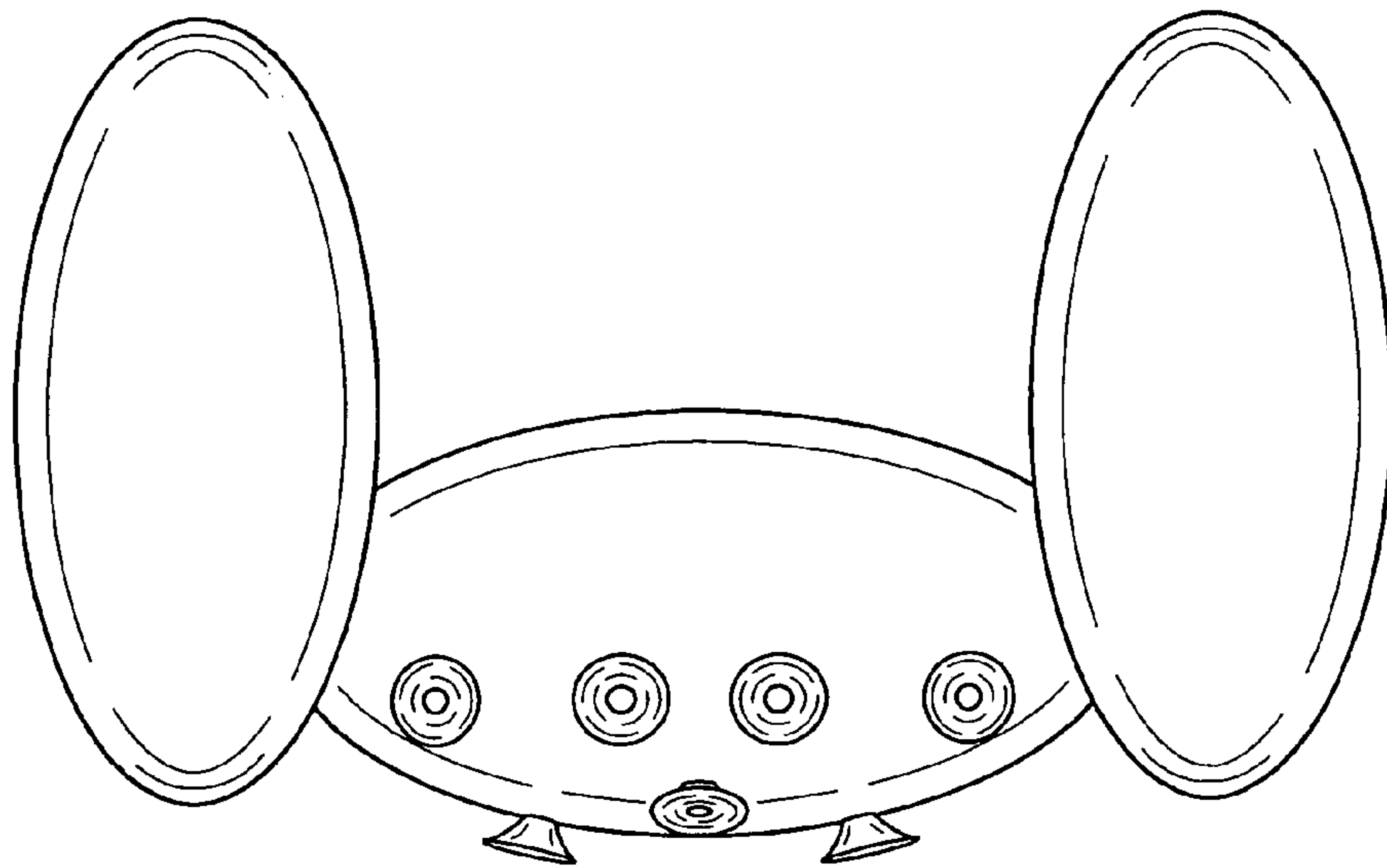


FIG. 5