



US00D594262S

(12) **United States Design Patent**
McNiel

(10) **Patent No.:** **US D594,262 S**
(45) **Date of Patent:** **** Jun. 16, 2009**

- (54) **SLAT FOR COVERINGS FOR ARCHITECTURAL OPENINGS**
- (75) Inventor: **Claude McNiel**, Chandler, AZ (US)
- (73) Assignee: **Hunter Douglas Inc.**, Upper Saddle River, NJ (US)
- (**) Term: **14 Years**
- (21) Appl. No.: **29/304,565**
- (22) Filed: **Mar. 4, 2008**
- (51) **LOC (9) Cl.** **06-10**
- (52) **U.S. Cl.** **D6/580; D6/577**
- (58) **Field of Classification Search** D6/575, D6/577, 578, 580; 160/84.04, 84.06, 89, 160/115, 168.1 R, 176.1 R, 178.3, 236; D25/49; 49/74.1

See application file for complete search history.

(56) **References Cited**

U.S. PATENT DOCUMENTS

D347,348 S *	5/1994	Chen	D6/577
D354,190 S *	1/1995	Ross et al.	D6/580
D354,192 S *	1/1995	Ross et al.	D6/577
D355,092 S *	2/1995	Swopes	D6/577
D361,009 S *	8/1995	Potts	D6/577
D366,174 S *	1/1996	Knuteson	D6/577
D368,198 S *	3/1996	Zorbas	D6/577
D372,621 S *	8/1996	Zorbas	D6/577
D409,869 S *	5/1999	Marusak	D6/577
D448,493 S *	9/2001	Franson et al.	D25/119
D464,518 S *	10/2002	Griffiths et al.	D6/580
D481,575 S *	11/2003	Steinberg	D6/580
D486,685 S *	2/2004	Marusak et al.	D6/577

D514,364 S *	2/2006	Hsu	D6/580
7,036,547 B1 *	5/2006	Cheng et al.	160/84.04
7,055,572 B2 *	6/2006	Nien et al.	160/178.3
D535,844 S *	1/2007	Siegel	D6/577
D571,593 S *	6/2008	Chen	D6/577
D578,332 S *	10/2008	Chen	D6/577
D581,712 S *	12/2008	Chen	D6/577
2008/0000593 A1 *	1/2008	Colson et al.	160/176.1 R

* cited by examiner

Primary Examiner—Robert M. Spear

Assistant Examiner—Barbara B Lohr

(74) *Attorney, Agent, or Firm*—Dorsey & Whitney LLP

(57) **CLAIM**

I claim a slat for coverings for architectural openings, as shown and described.

DESCRIPTION

FIG. 1 is an isometric of a shade incorporating the slat design of the present invention with portions of the shade not forming a component of the design being shown in dashed lines.

FIG. 2 is an isometric of the slat design of the present invention.

FIG. 3 is a left edge view of the slat as shown in FIG. 2.

FIG. 4 is a top plan view of the slat.

FIG. 5 is a right edge view of the slat as shown in FIG. 4.

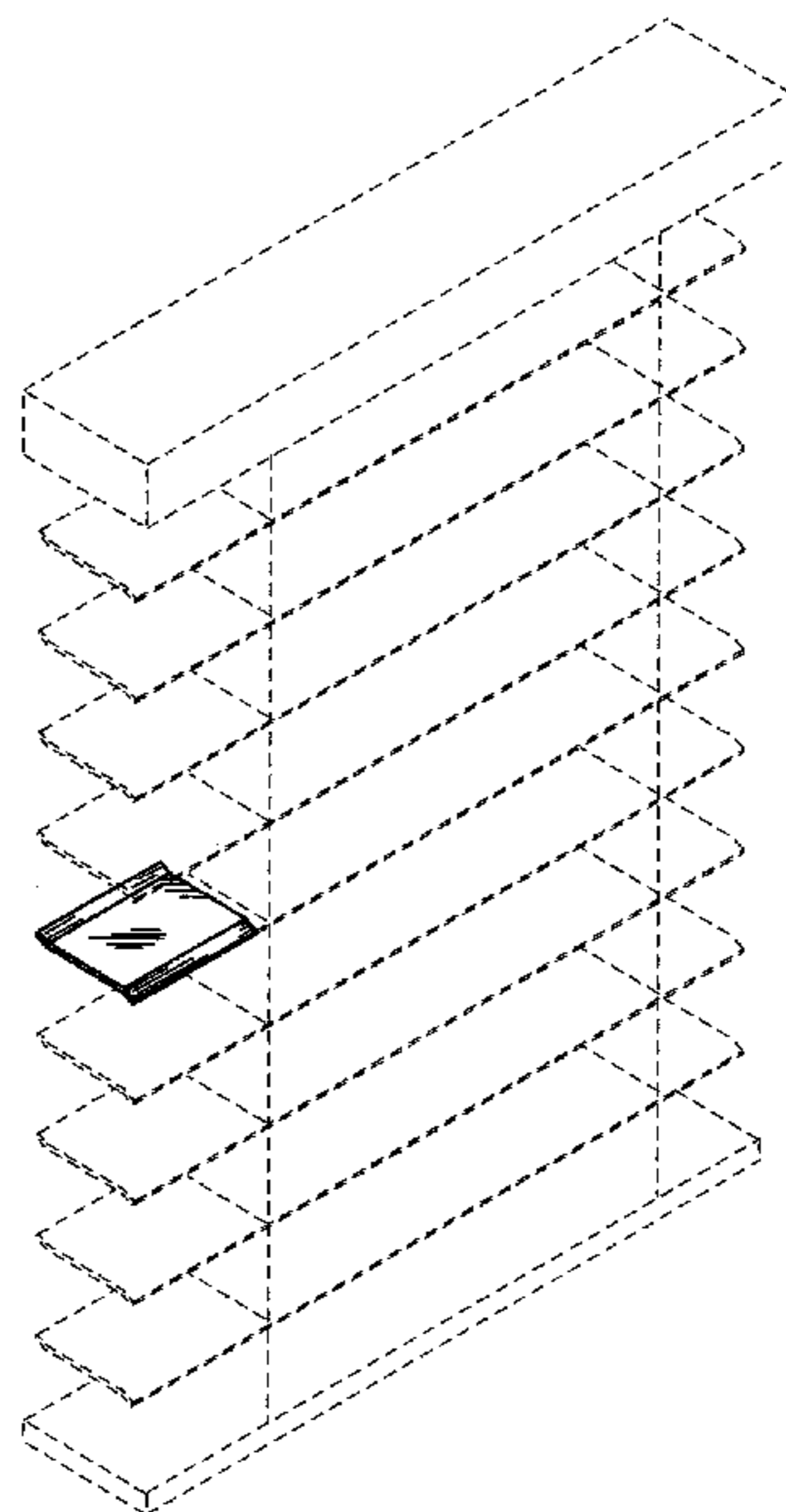
FIG. 6 is a bottom plan view of the slat.

FIG. 7 is a top end view of the slat as shown in FIG. 6; and,

FIG. 8 is a left edge view of the slat as shown in FIG. 7.

The broken lines depict unclaimed environmental structure.

1 Claim, 2 Drawing Sheets



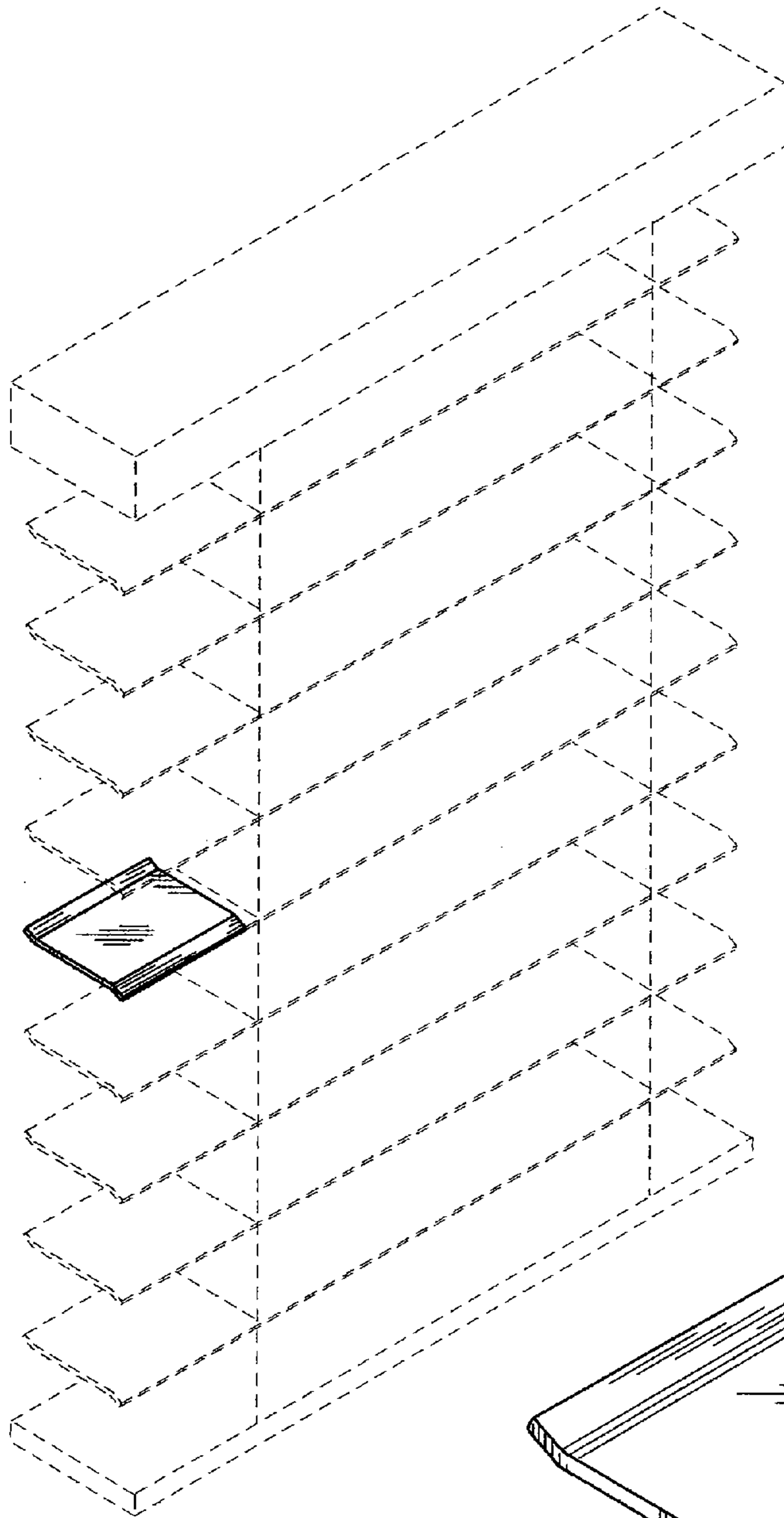


Fig. 1

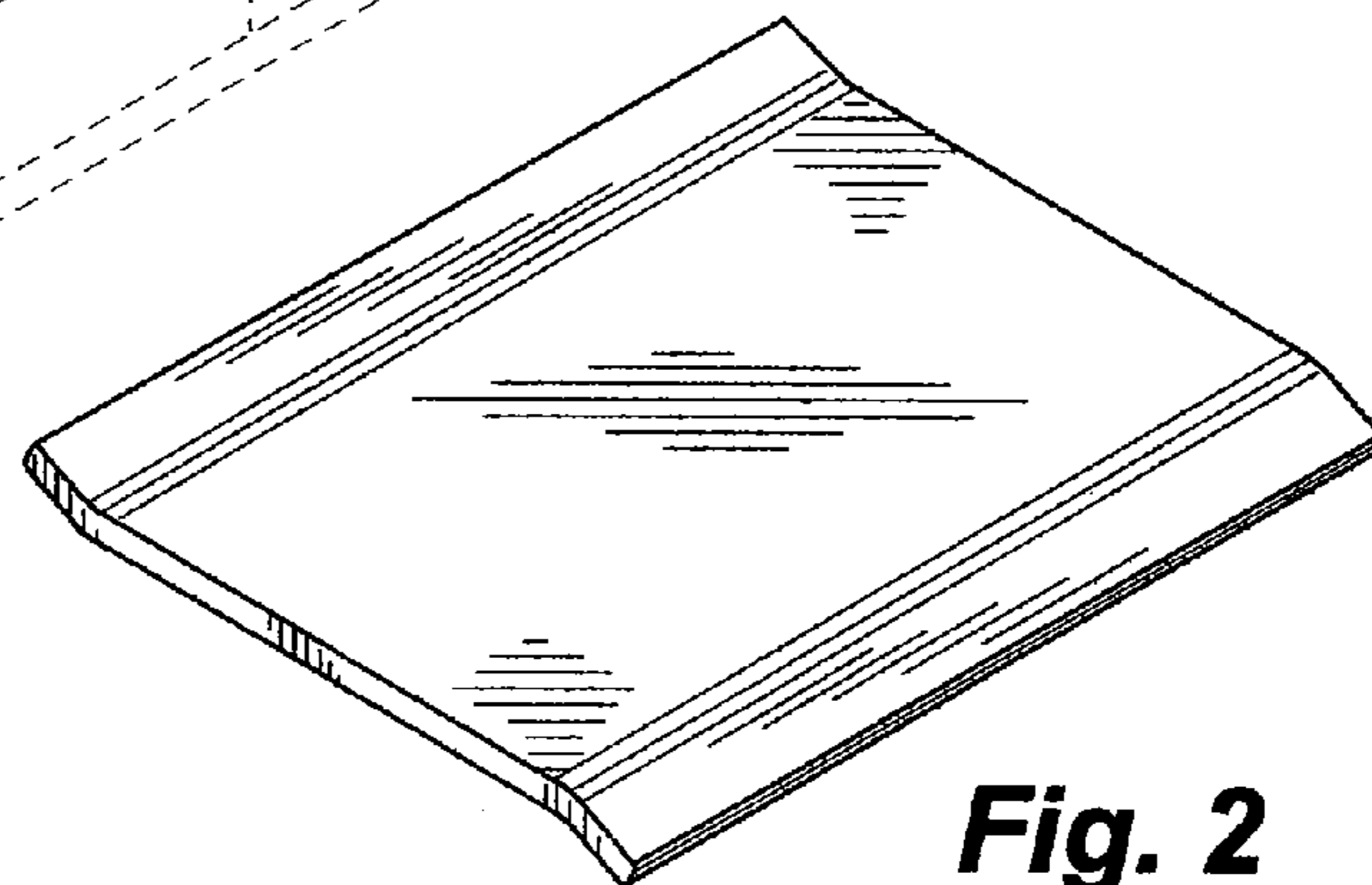


Fig. 2

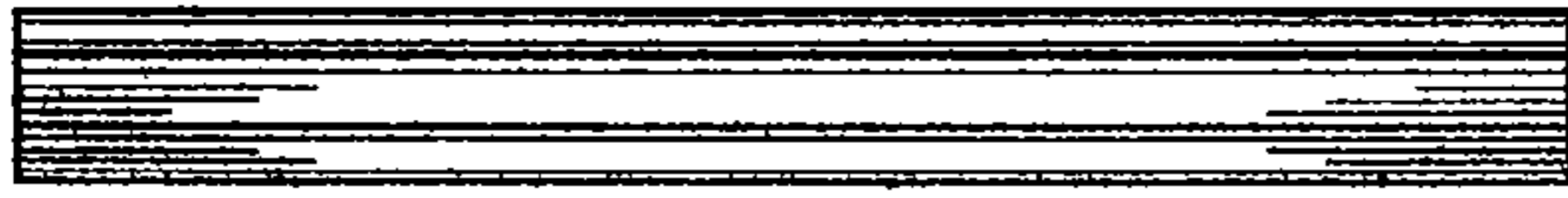


Fig. 8



Fig. 7

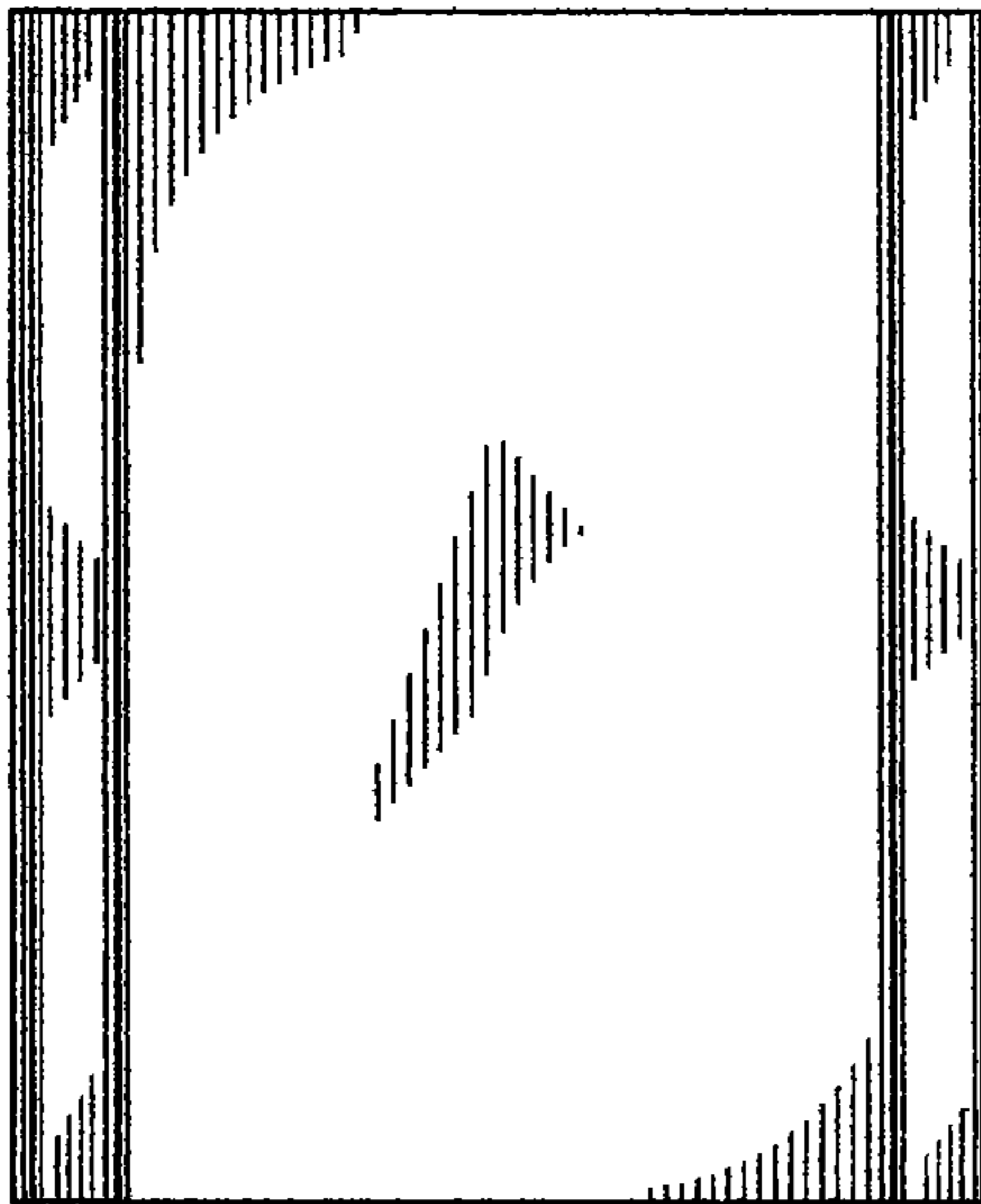


Fig. 4



Fig. 5

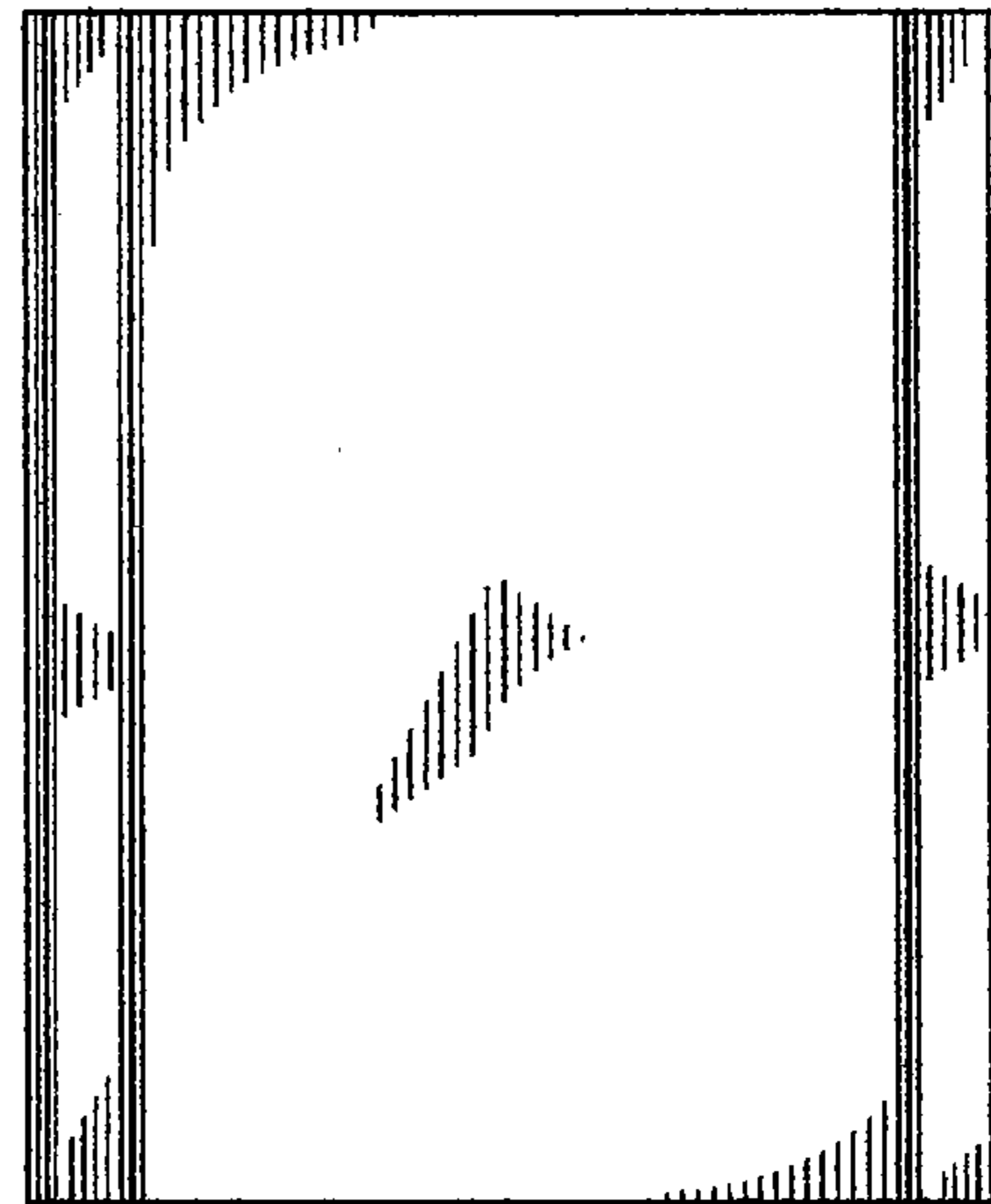


Fig. 6

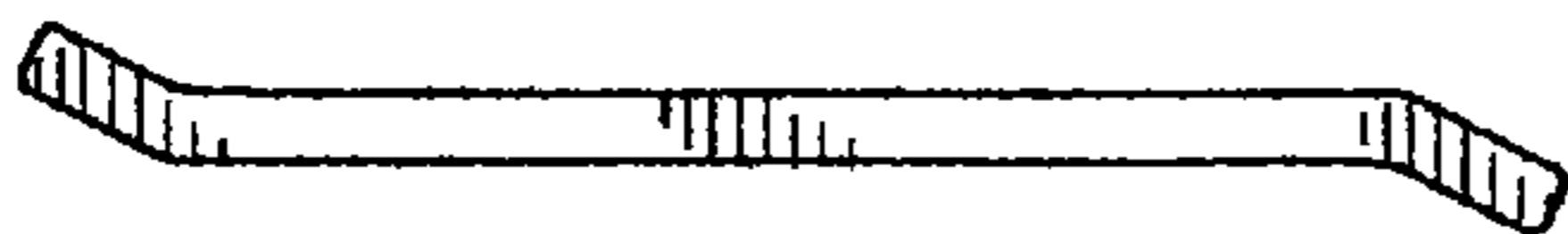


Fig. 3