



US00D594261S

(12) **United States Design Patent**
Maxwell

(10) **Patent No.:** **US D594,261 S**

(45) **Date of Patent:** **** Jun. 16, 2009**

(54) **SHELF**

D549,026 S * 8/2007 Parshad D6/574
D557,964 S * 12/2007 Hoernig D6/574

(76) Inventor: **Mike Maxwell**, P.O. Box 37, Darlington,
IN (US) 47940

* cited by examiner

(**) Term: **14 Years**

Primary Examiner—Brian N Vinson
(74) *Attorney, Agent, or Firm*—Ice Miller LLP

(21) Appl. No.: **29/330,758**

(57) **CLAIM**

(22) Filed: **Jan. 14, 2009**

The ornamental design for a shelf, as shown and described.

(51) **LOC (9) Cl.** **06-04**

(52) **U.S. Cl.** **D6/574**

(58) **Field of Classification Search** D6/518–524,
D6/548–550, 574; D8/300, 303, 315–321,
D8/349, 354, 363, 373, 380; 108/28–29;
211/13.1, 16, 60.1, 100, 86.01, 87.01, 88.01,
211/88.04, 105.1–105.2, 123, 182, 181.1;
248/176, 176.1, 251, 302, 309.1; 16/110.1,
16/412, 415; 242/570, 590, 595–598

See application file for complete search history.

DESCRIPTION

FIG. 1 is a side elevational perspective view of a shelf;
FIG. 2 is a front perspective view of the shelf of FIG. 1;
FIG. 3 is a top front view of the shelf of FIG. 1;
FIG. 4 is a right side plan view of the shelf of FIG. 1;
FIG. 5 is a left side plan view of the shelf of FIG. 1; and
FIG. 6 is a bottom perspective view of the shelf of FIG. 1; and,
FIG. 7 is a top rear view of the shelf of FIG. 1.

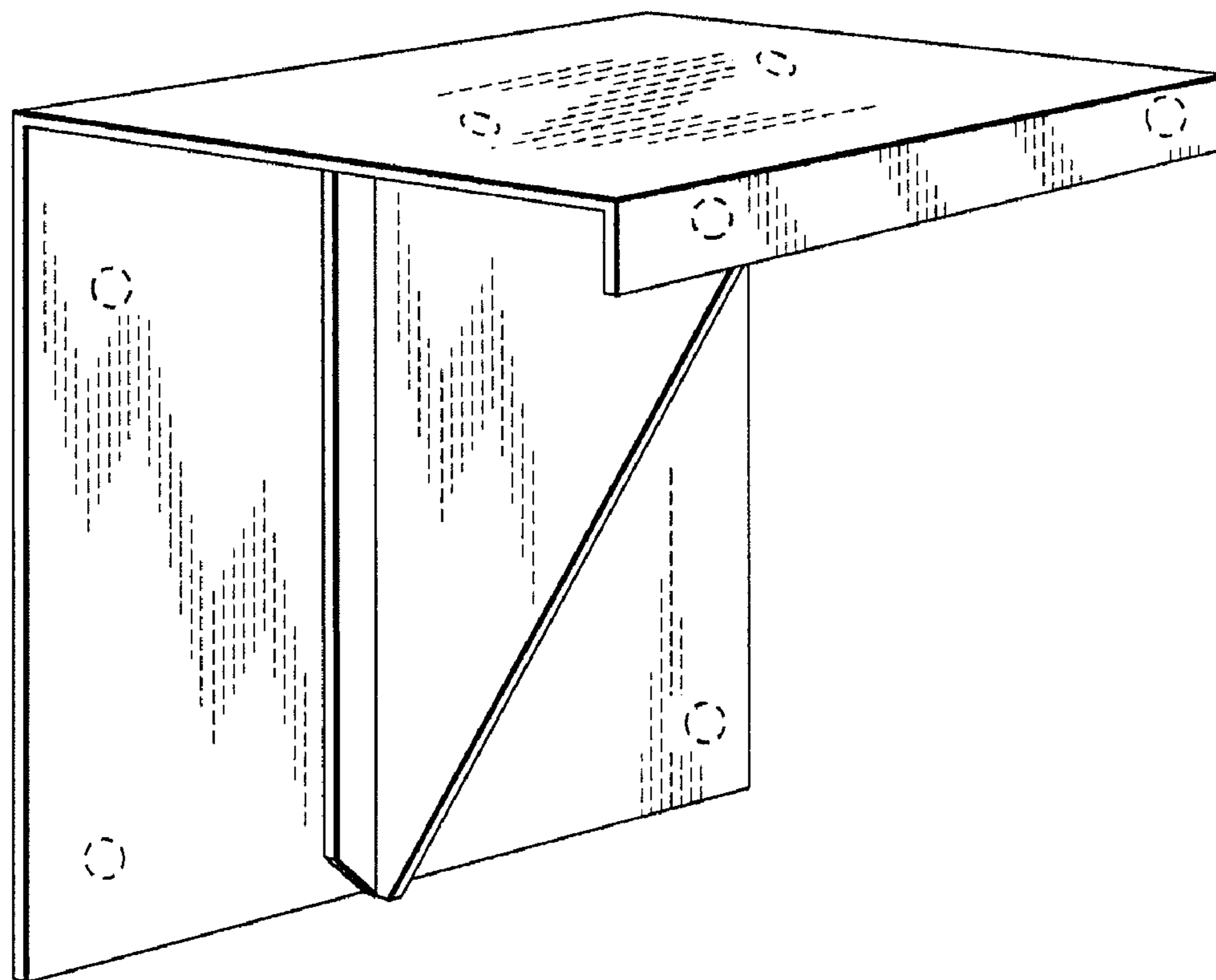
The elements shown in broken lines in FIGS. 1–7 are for illustrative purposes only and form no part of the claimed design.

(56) **References Cited**

U.S. PATENT DOCUMENTS

D436,269 S * 1/2001 Kane D6/574
D453,439 S * 2/2002 Bahariance D6/574

1 Claim, 4 Drawing Sheets



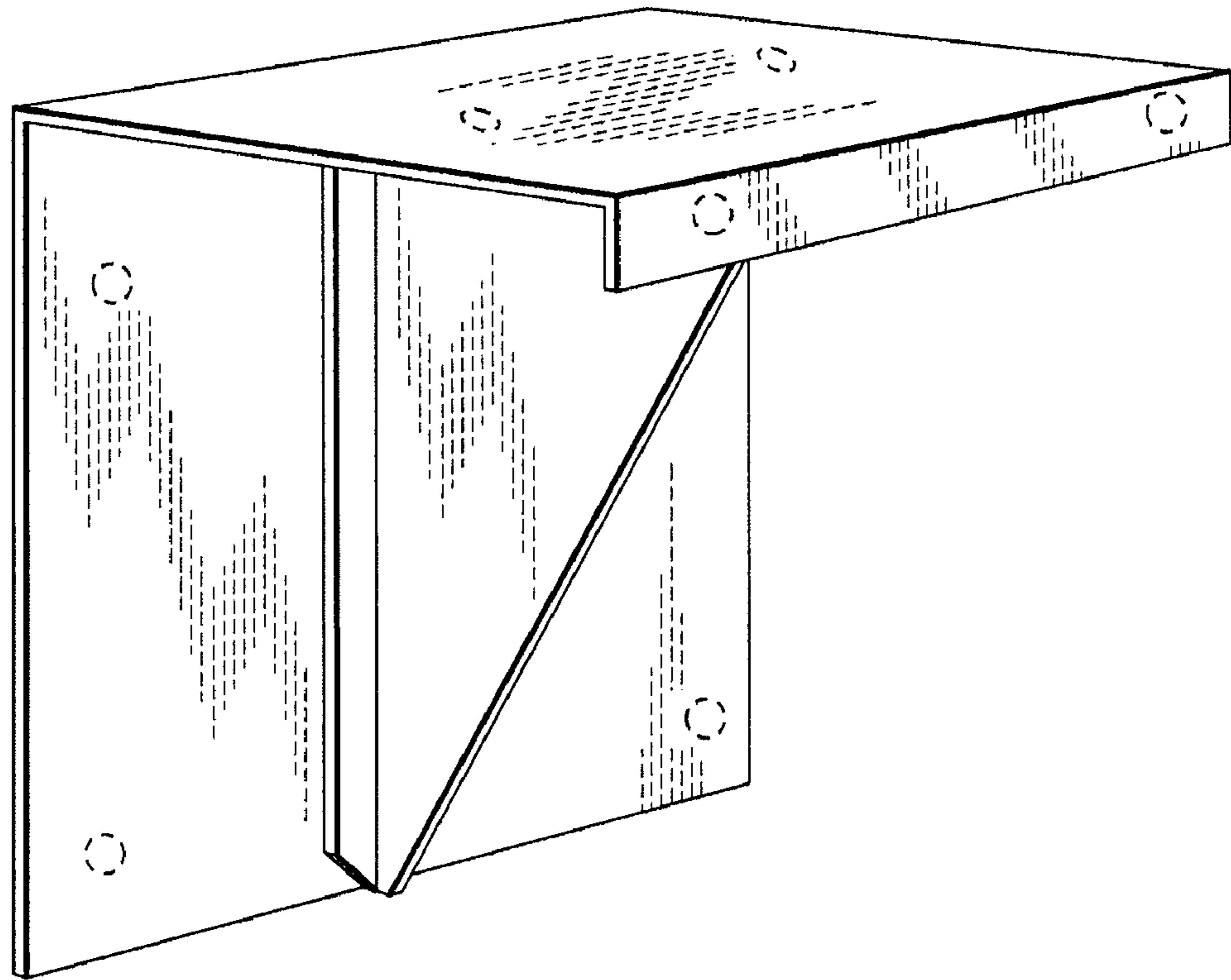


Fig. 1

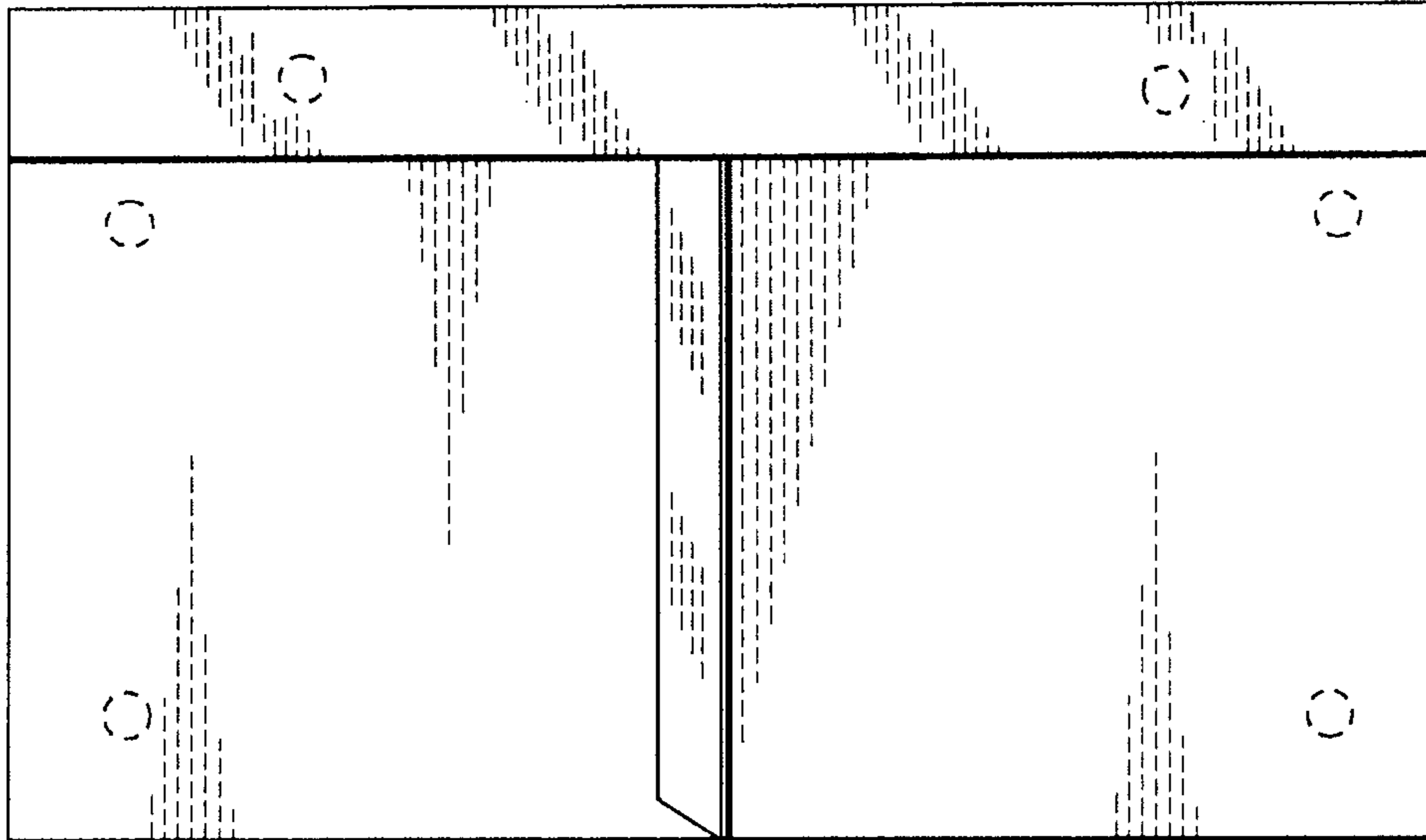


Fig. 2

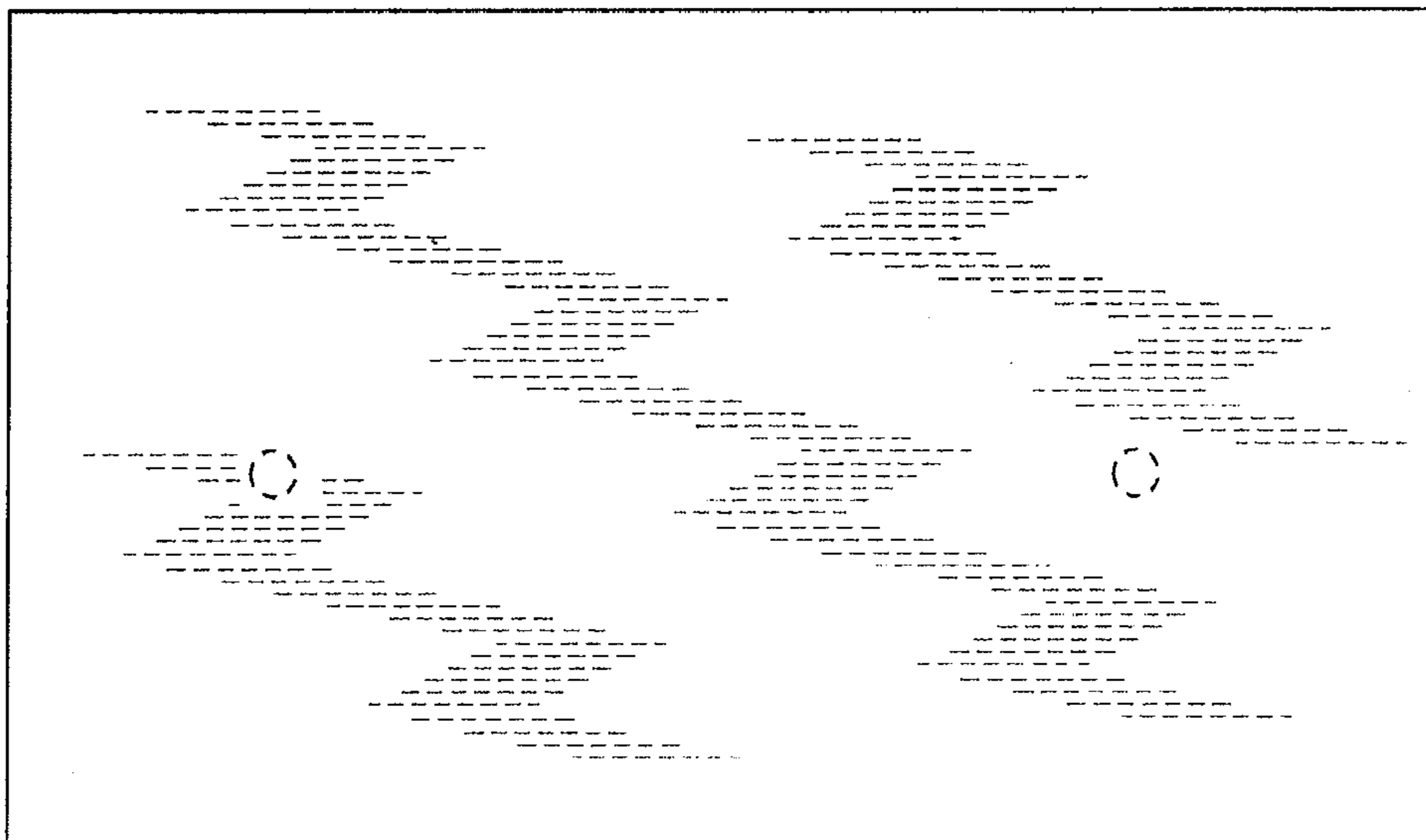


Fig. 3

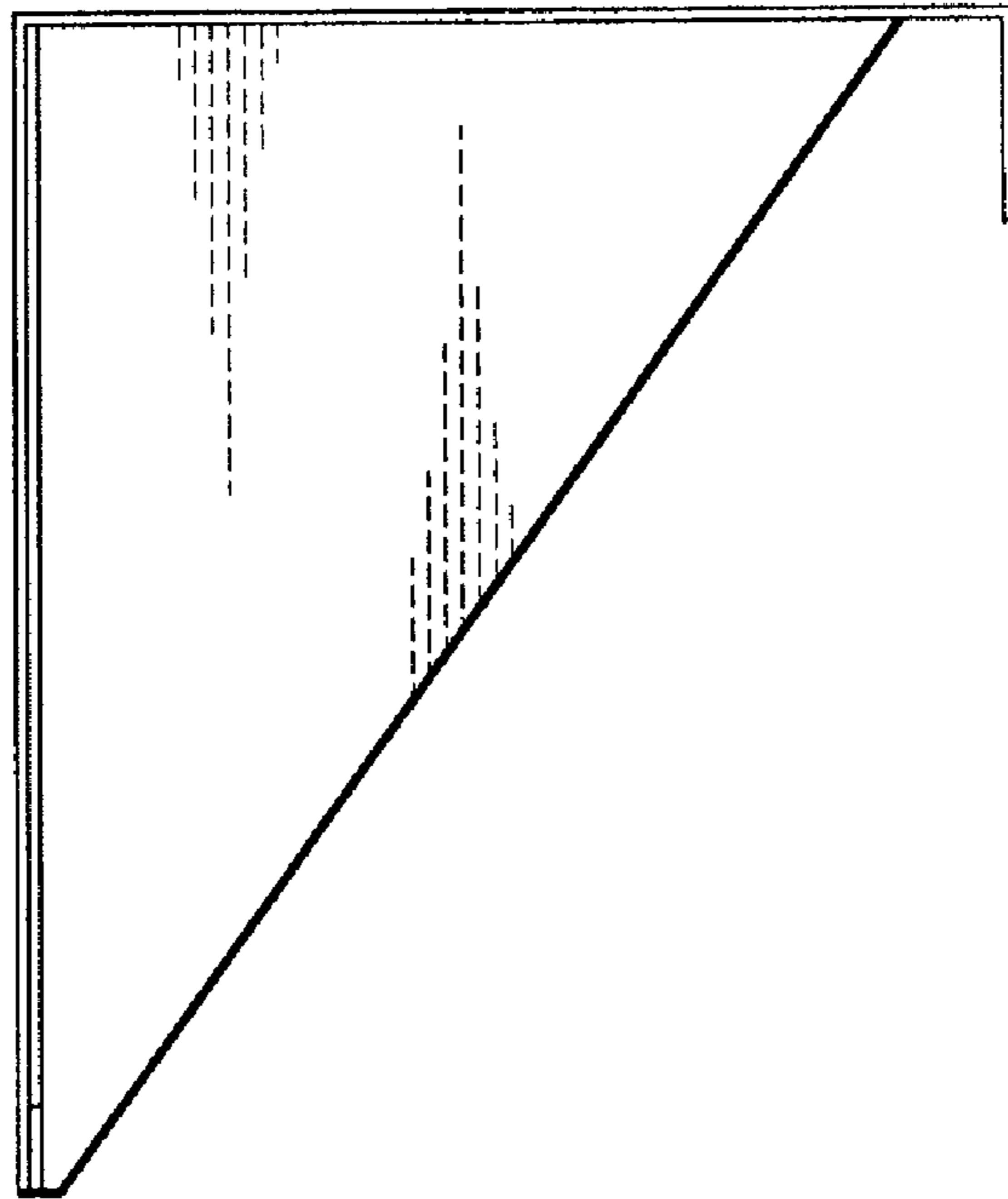


Fig. 4

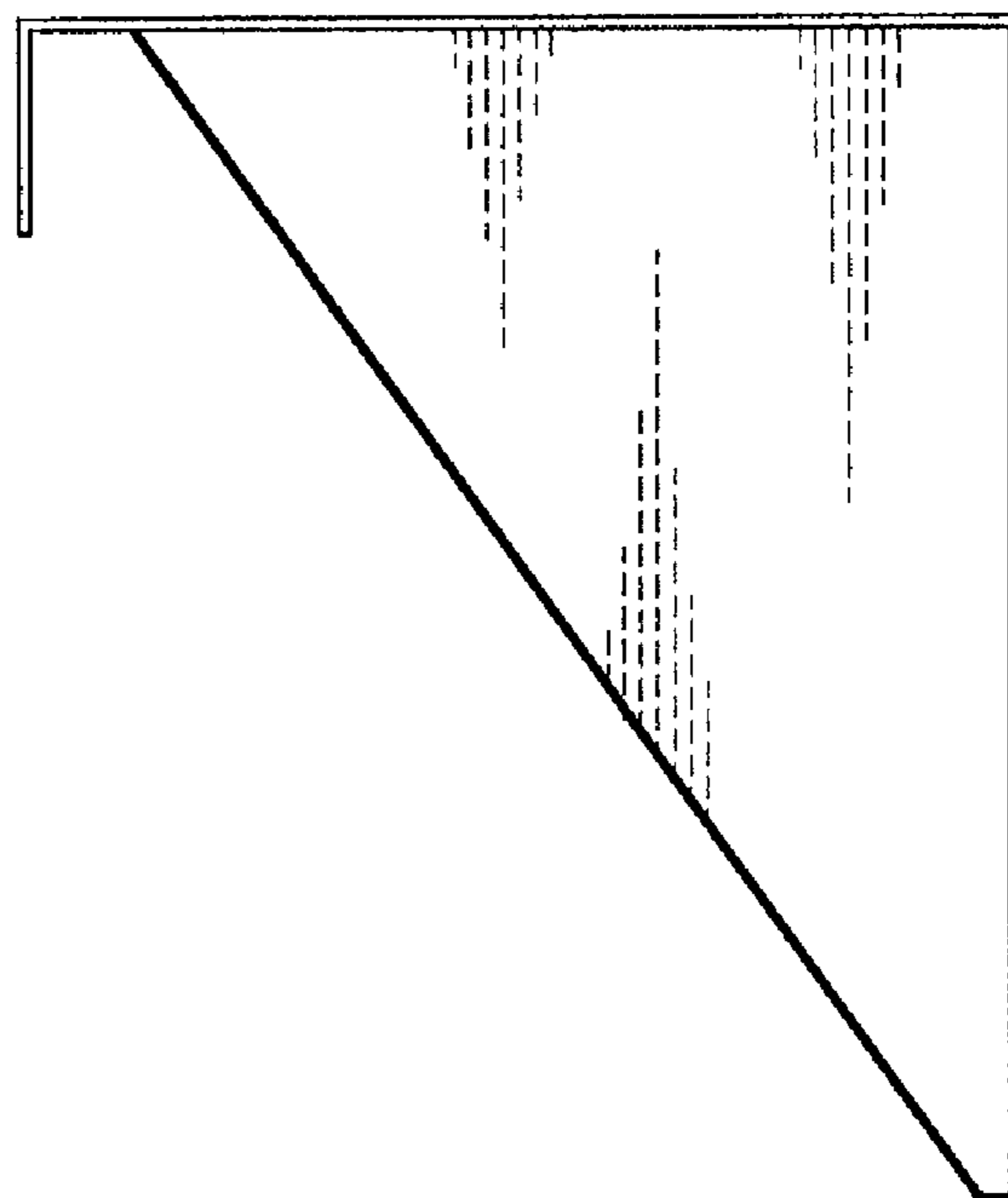


Fig. 5

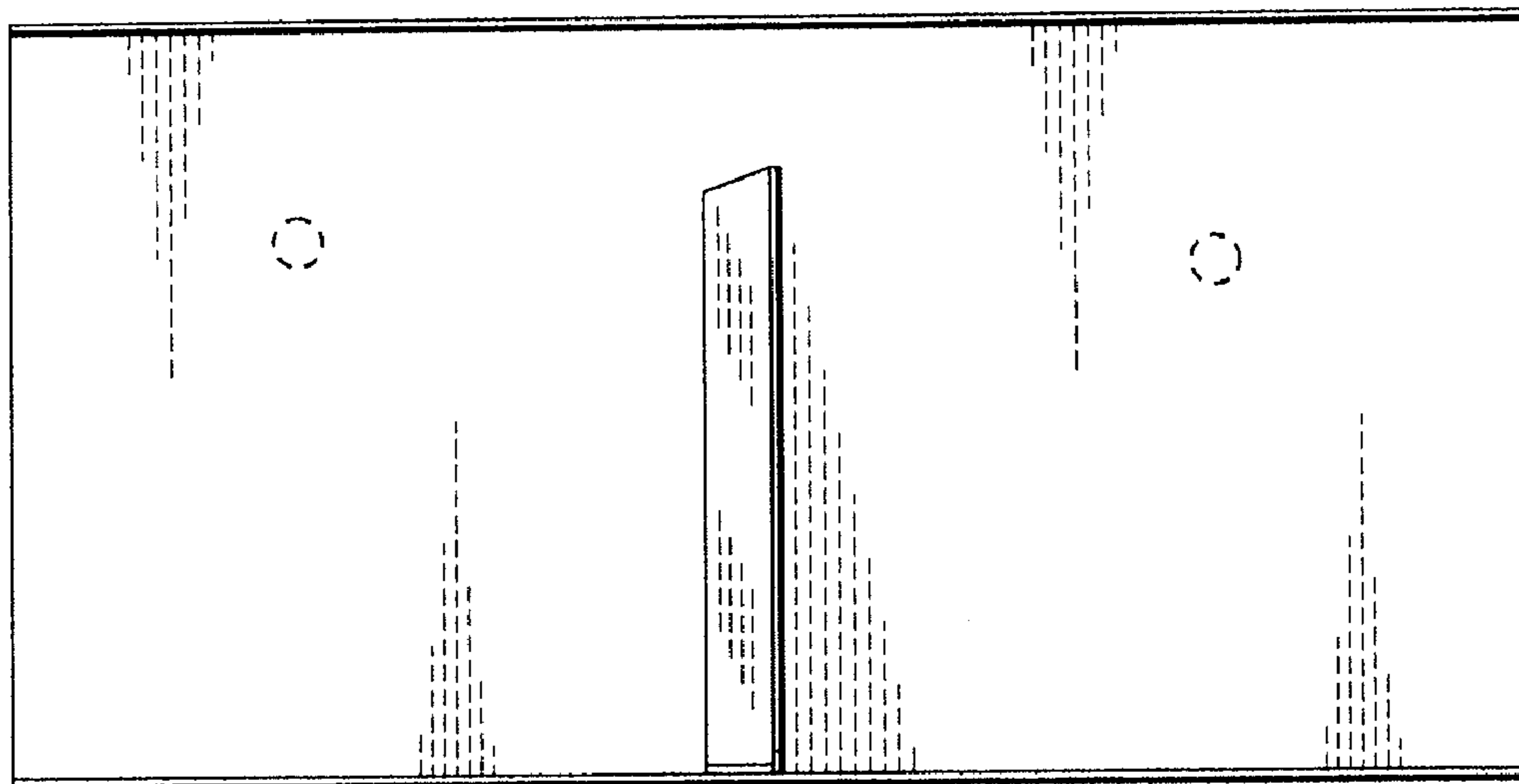


Fig. 6

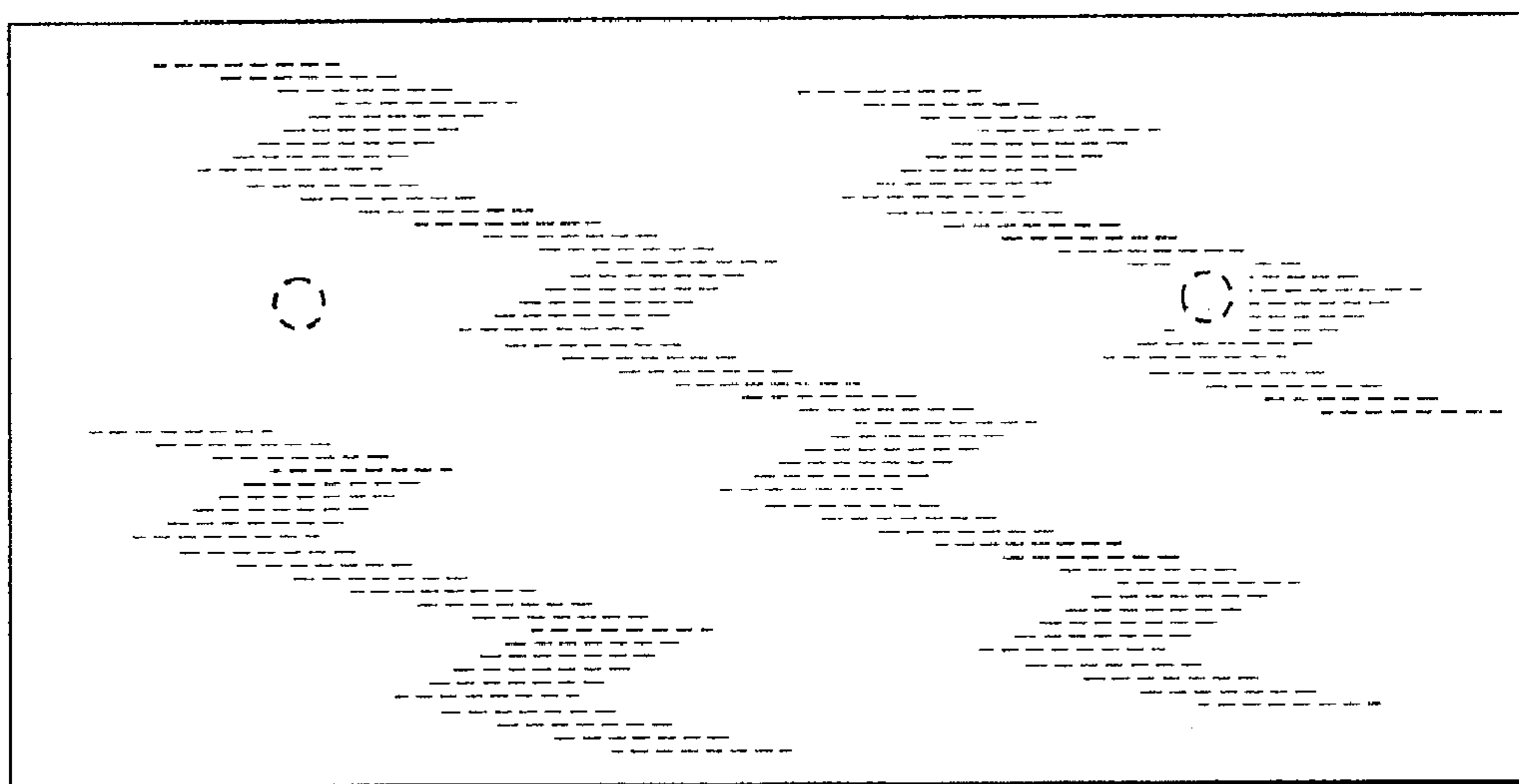


Fig. 7