



US00D594258S

(12) **United States Design Patent**
Zuniga et al.

(10) **Patent No.:** **US D594,258 S**

(45) **Date of Patent:** **** Jun. 16, 2009**

(54) **EXTENDABLE STEP FOR A SINK CABINET**

(76) Inventors: **Eric Zuniga**, 8656 Pine Dr., Rancho Cucamonga, CA (US) 91730-4618;
Rodolfo Zuniga, 8656 Pine Dr., Rancho Cucamonga, CA (US) 91730-4618

(**) Term: **14 Years**

(21) Appl. No.: **29/294,624**

(22) Filed: **Jan. 22, 2008**

(51) **LOC (9) Cl.** **06-01**

(52) **U.S. Cl.** **D6/510**

(58) **Field of Classification Search** D6/400,
D6/495-496, 491, 509-511; D3/296-297;
312/204, 330.1, 334.1, 348.4; 108/47
See application file for complete search history.

(56) **References Cited**

U.S. PATENT DOCUMENTS

3,030,166	A	4/1962	Richards et al.	
3,481,429	A	12/1969	Gaede	
3,756,678	A	9/1973	Kloppenstein	
4,135,604	A	1/1979	Ryan	
D258,857	S *	4/1981	Bukaitz	D6/510
D265,277	S *	7/1982	Dunn	D7/698
D267,066	S *	11/1982	Rock et al.	D6/510
D267,463	S *	1/1983	Thompson	D7/698
D292,357	S *	10/1987	Narain	D7/554.3
4,846,304	A	7/1989	Rasmussen	
D338,569	S *	8/1993	Lancaster	D6/407
5,341,897	A	8/1994	Gross	
D361,238	S *	8/1995	Richards et al.	D6/574
D361,430	S *	8/1995	Mohundro	D3/297
5,755,498	A	5/1998	Cutler	
6,129,433	A *	10/2000	Rosenberg et al.	312/348.3
D477,479	S *	7/2003	Henderson et al.	D6/510
D523,667	S *	6/2006	Bisson	D6/510
D539,062	S *	3/2007	Styka et al.	D6/510
2004/0004420	A1 *	1/2004	Pine et al.	312/348.3
2006/0158071	A1 *	7/2006	Muller et al.	312/234.5

* cited by examiner

Primary Examiner—Caron Veynar

Assistant Examiner—Kelley A Donnelly

(74) *Attorney, Agent, or Firm*—Kirk A. Buhler; Buhler & Associates

(57) **CLAIM**

The ornamental design for an extendable step for a sink cabinet, as shown and described.

DESCRIPTION

FIG. 1 is a top view shown in a closed configuration for an extendable step for a sink cabinet showing my new design;

FIG. 2 is a right side view shown in closed configuration thereof;

FIG. 3 is a front view shown in closed configuration thereof;

FIG. 4 is a left side view shown in closed configuration thereof;

FIG. 5 is a bottom view shown in closed configuration thereof;

FIG. 6 is a back view shown in closed configuration thereof;

FIG. 7 is an isometric view shown in closed configuration thereof;

FIG. 8 is a top view shown in open configuration thereof;

FIG. 9 is a right side view shown in open configuration thereof;

FIG. 10 is a front view shown in open configuration thereof;

FIG. 11 is a left side view shown in open configuration thereof;

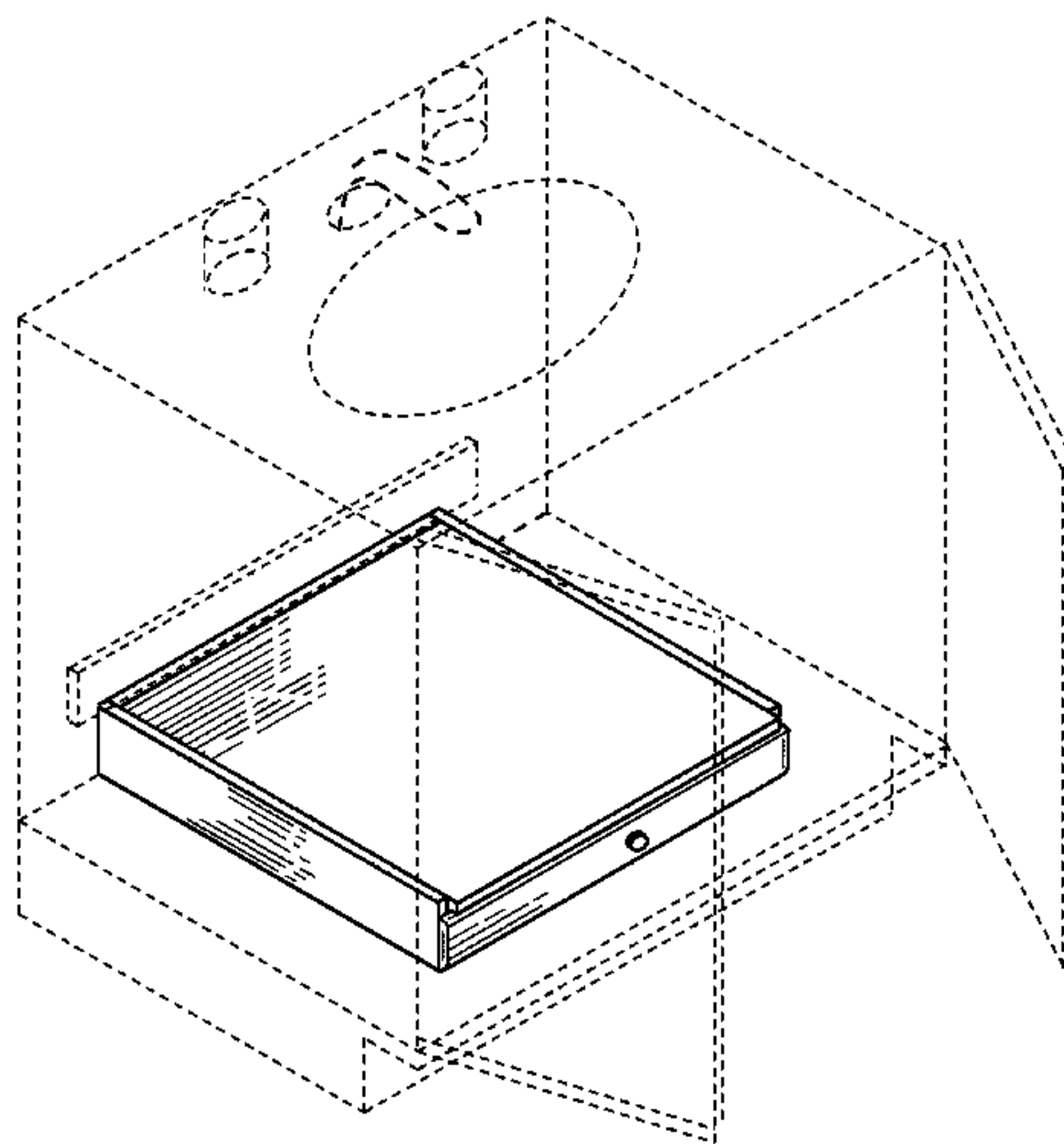
FIG. 12 is a bottom view shown in open configuration thereof;

FIG. 13 is a back view shown in open configuration thereof; and,

FIG. 14 is an isometric view shown in open configuration thereof.

The broken lines shown in FIGS. 5, 7, 8, 12 and FIG. 14 are representing environment and forming no part of the claimed design.

1 Claim, 6 Drawing Sheets



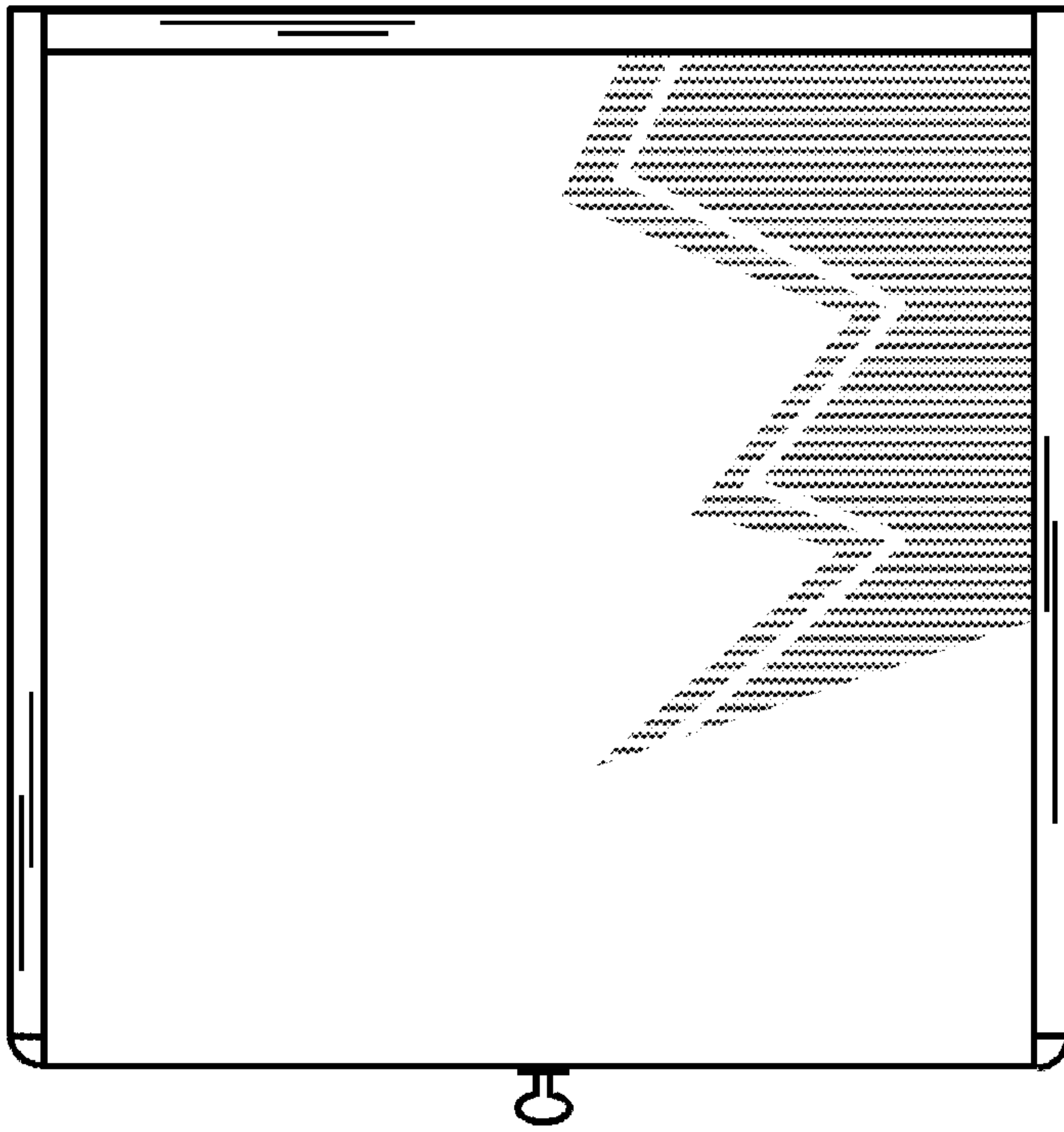


FIG. 1

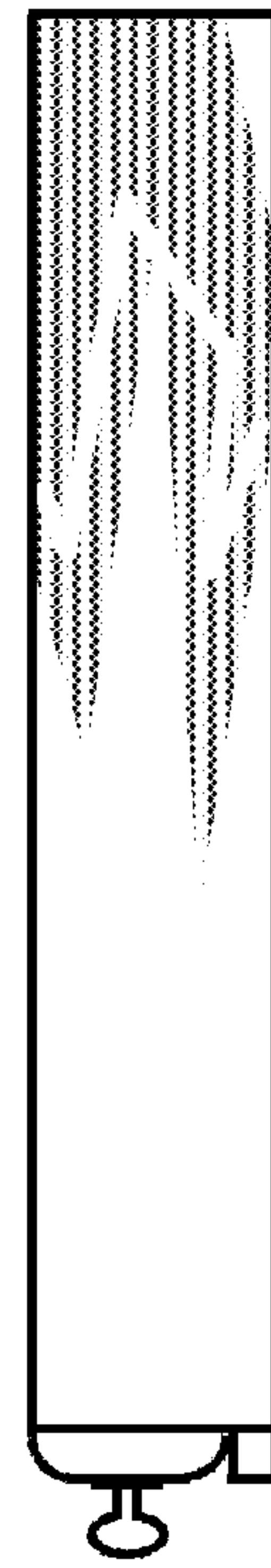


FIG. 2

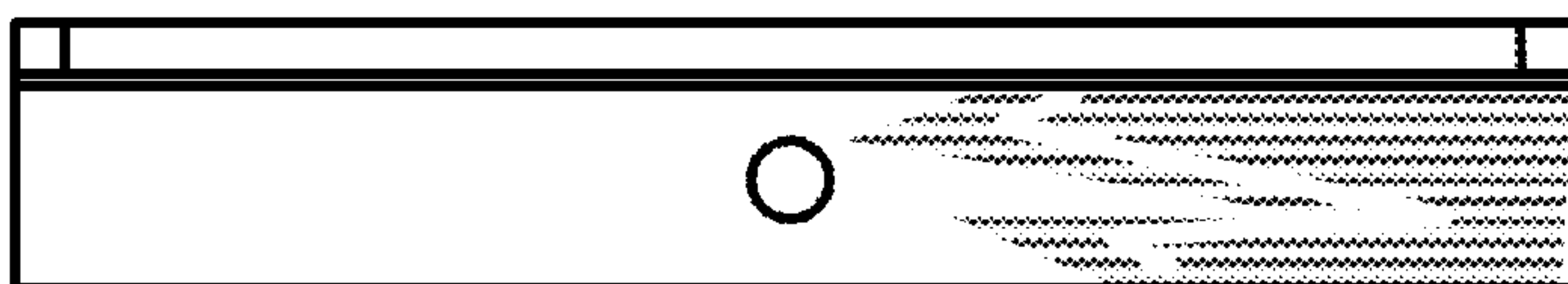


FIG. 3



FIG. 4

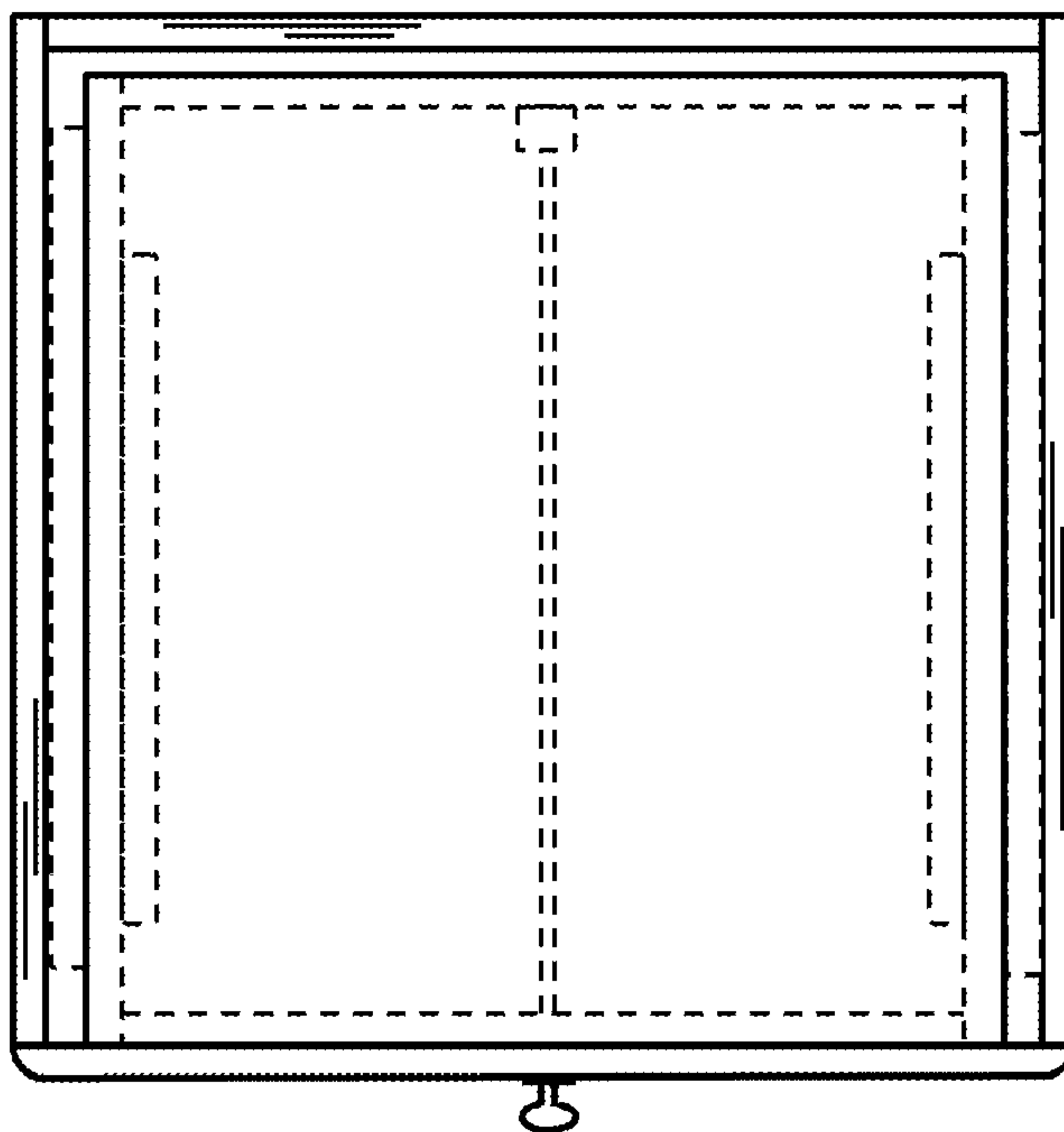


FIG. 5

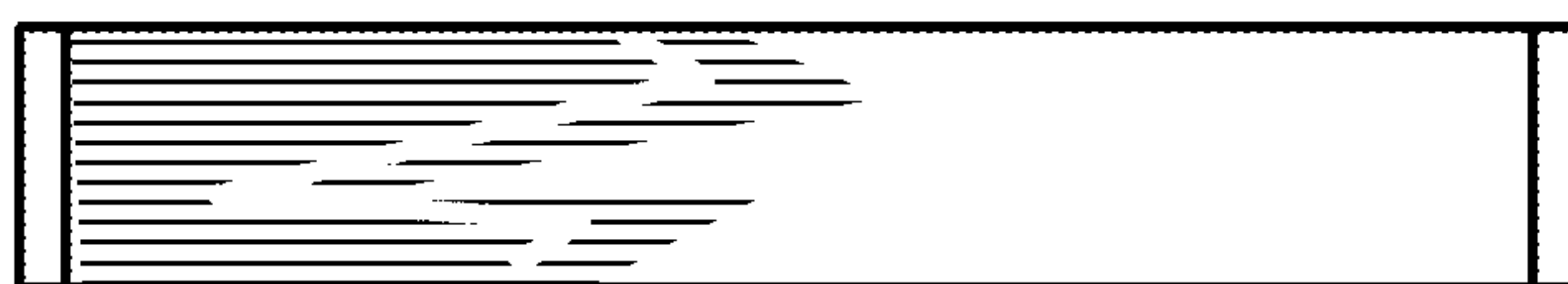


FIG. 6

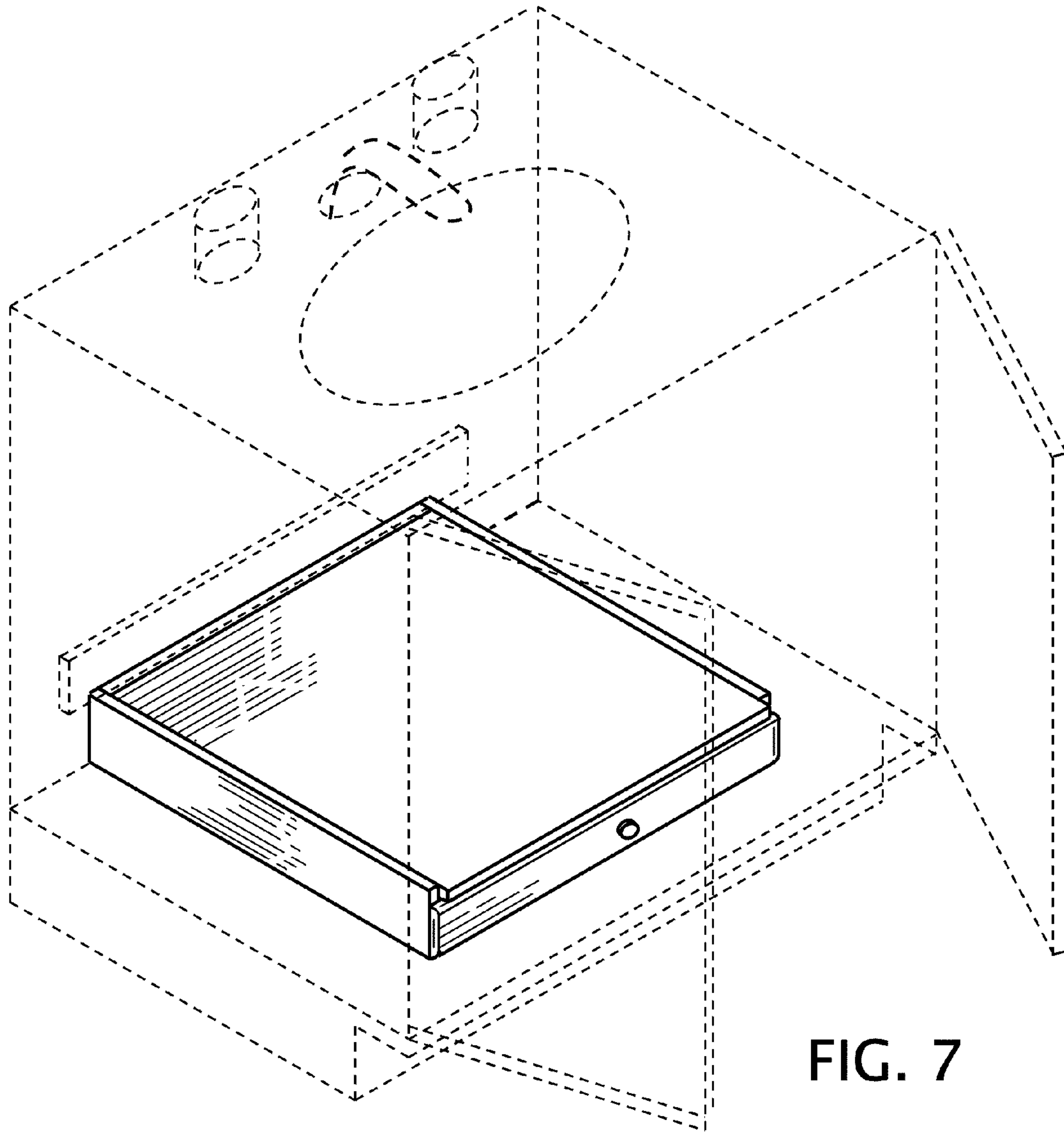


FIG. 7

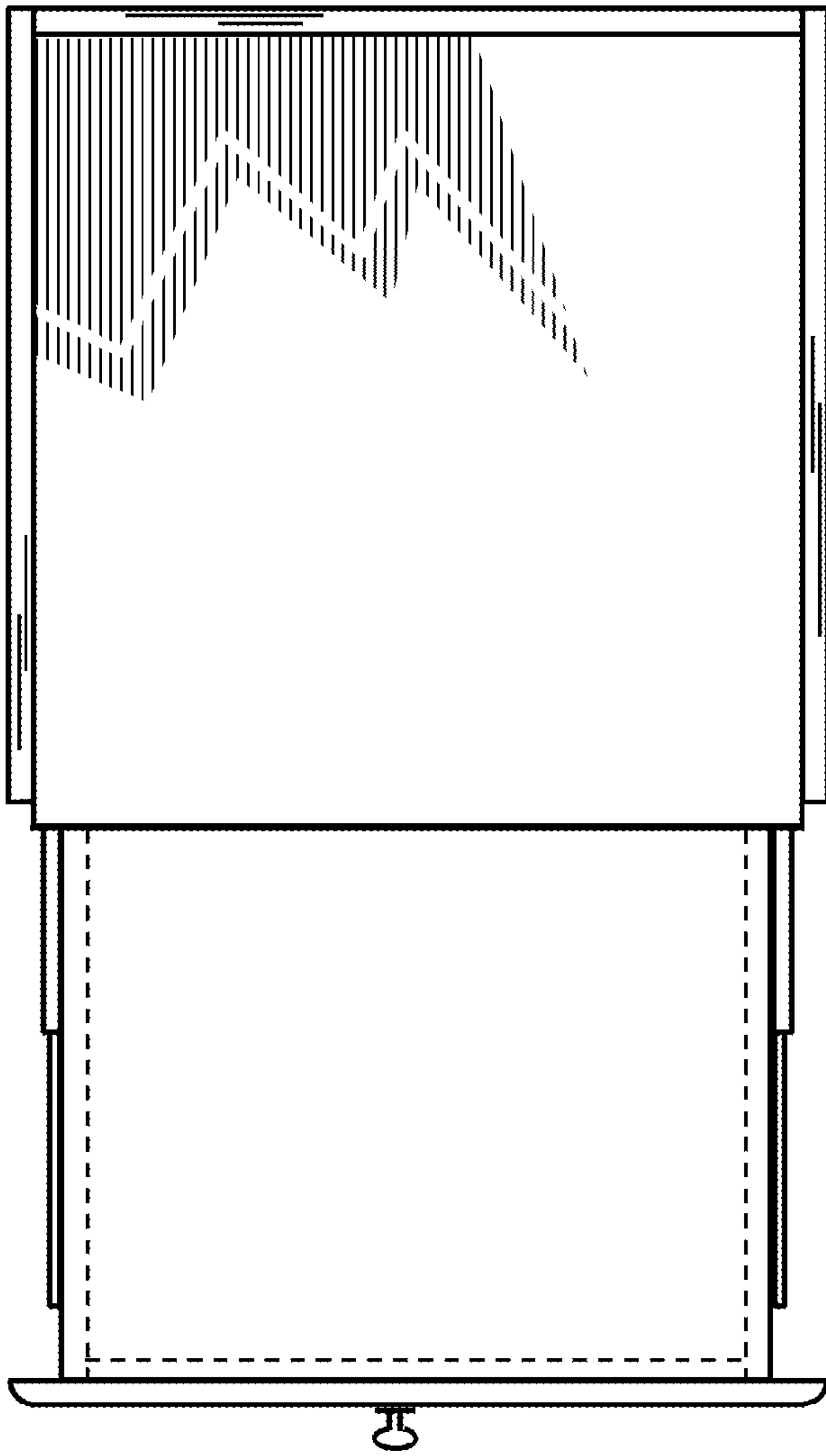


FIG. 8



FIG. 9

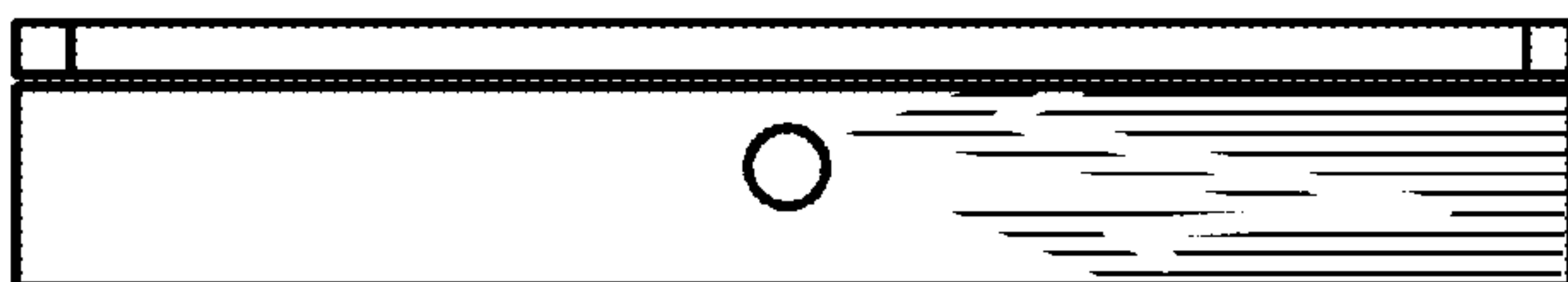


FIG. 10

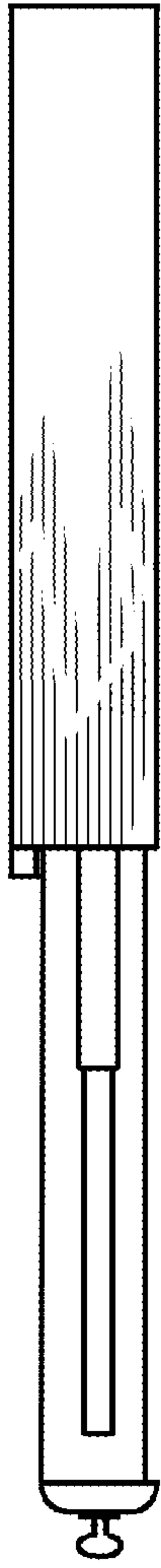


FIG. 11

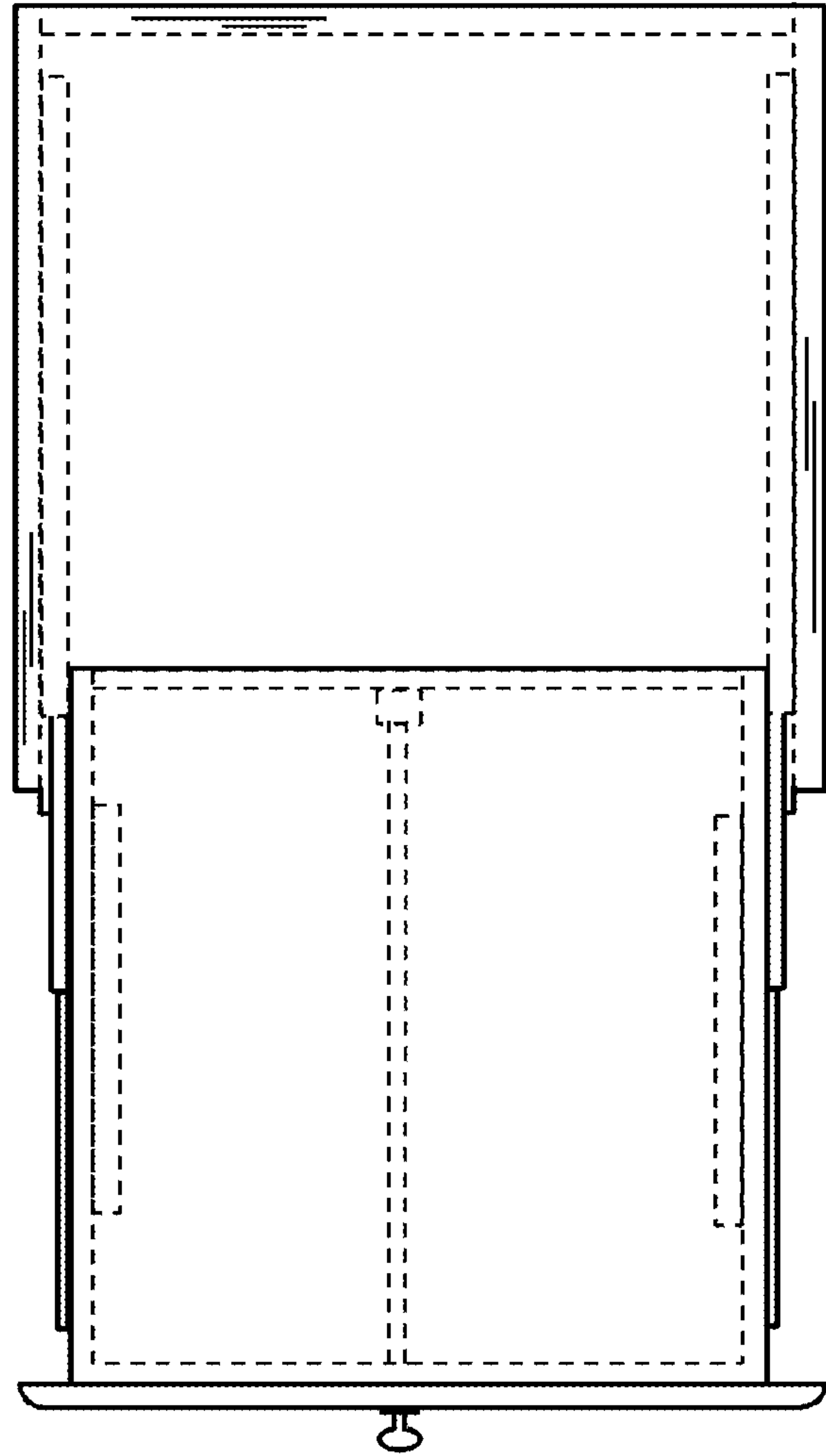


FIG. 12

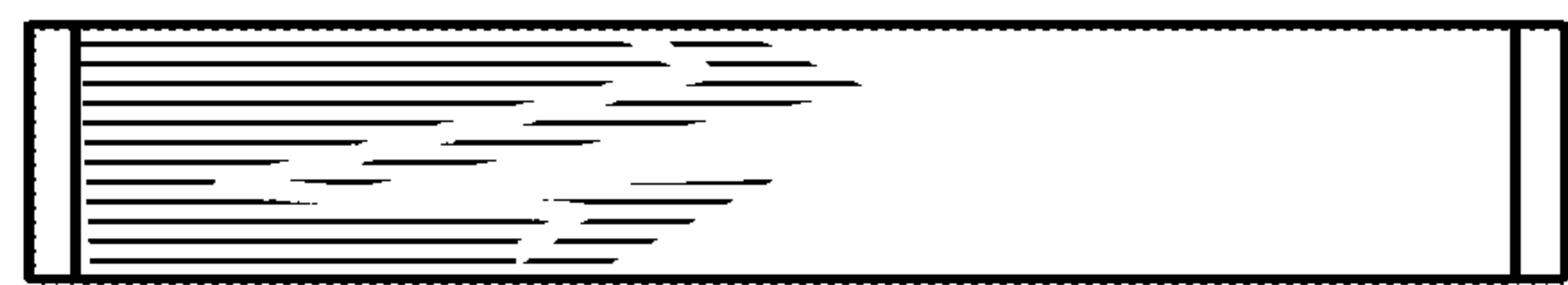


FIG. 13

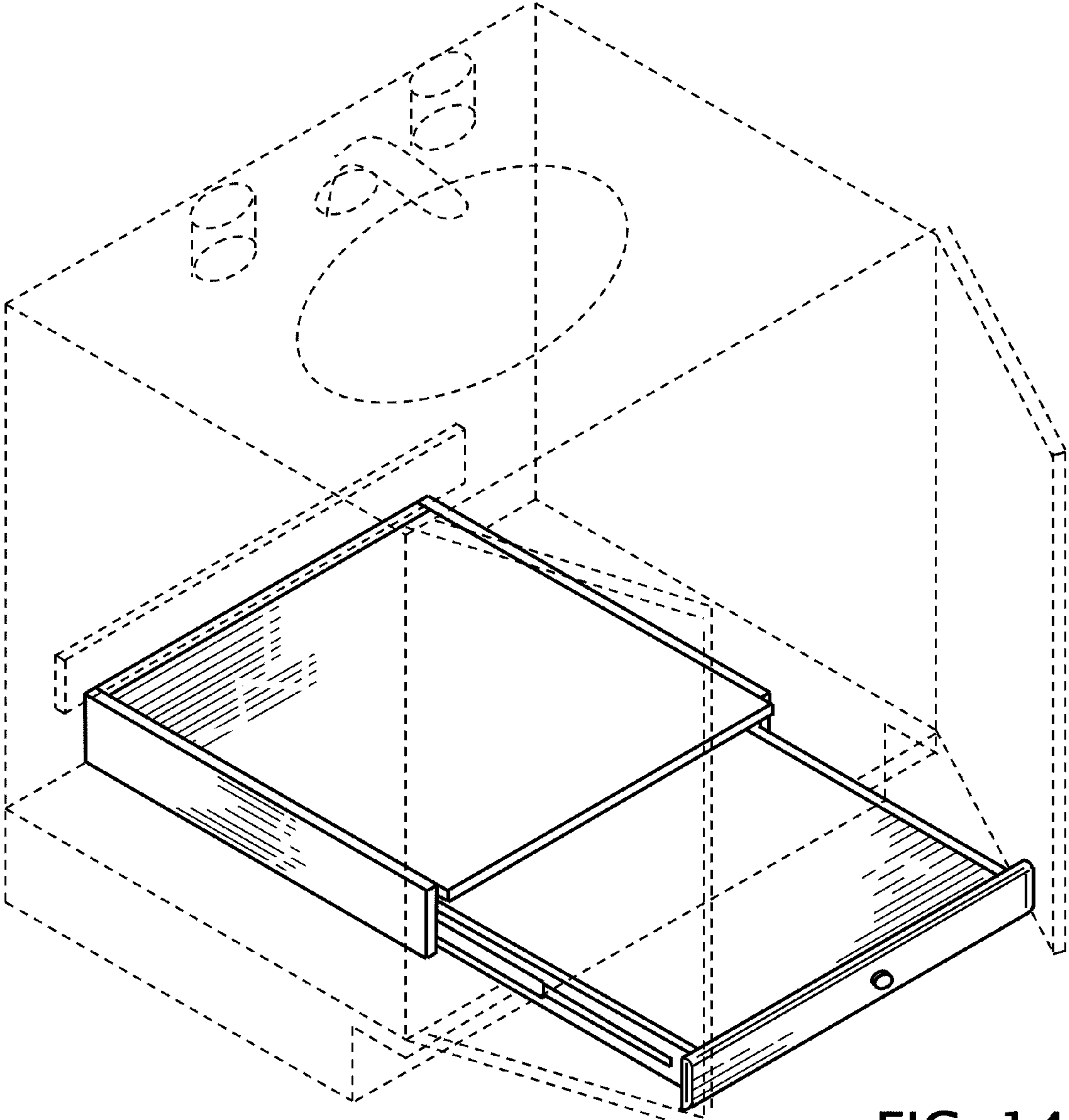


FIG. 14