



US00D594257S

(12) **United States Design Patent**
Christensen

(10) **Patent No.:** **US D594,257 S**
(45) **Date of Patent:** **** Jun. 16, 2009**

(54) **CHAIR BACK**

(75) Inventor: **Jesper Christensen**, Vancouver (CA)

(73) Assignee: **Dynamic Office Chair Company, Ltd.**,
British Columbia (CA)

(**) Term: **14 Years**

(21) Appl. No.: **29/309,996**

(22) Filed: **Dec. 2, 2008**

(51) **LOC (9) Cl.** **06-01**

(52) **U.S. Cl.** **D6/502; D6/366**

(58) **Field of Classification Search** D6/334-336,
D6/364, 365, 366, 367, 368, 369, 374, 376,
D6/379, 380, 500-502; 297/284.4, 300.2,
297/452.18, 452.2, 452.3, 452.13, 452.29,
297/452.56, 452.64

See application file for complete search history.

(56) **References Cited**

U.S. PATENT DOCUMENTS

D553,378 S * 10/2007 Wang D6/366

D568,624 S * 5/2008 Wen D6/366
D573,817 S * 7/2008 Su D6/502
D574,645 S * 8/2008 Christensen D6/502

* cited by examiner

Primary Examiner—Mimosa De

(74) *Attorney, Agent, or Firm*—Rosenberg, Klein & Lee

(57) **CLAIM**

The ornamental design for a chair back, as shown and described.

DESCRIPTION

FIG. 1 is a perspective view of a chair back showing my new design;

FIG. 2 is a front elevational view thereof;

FIG. 3 is a rear elevational view thereof;

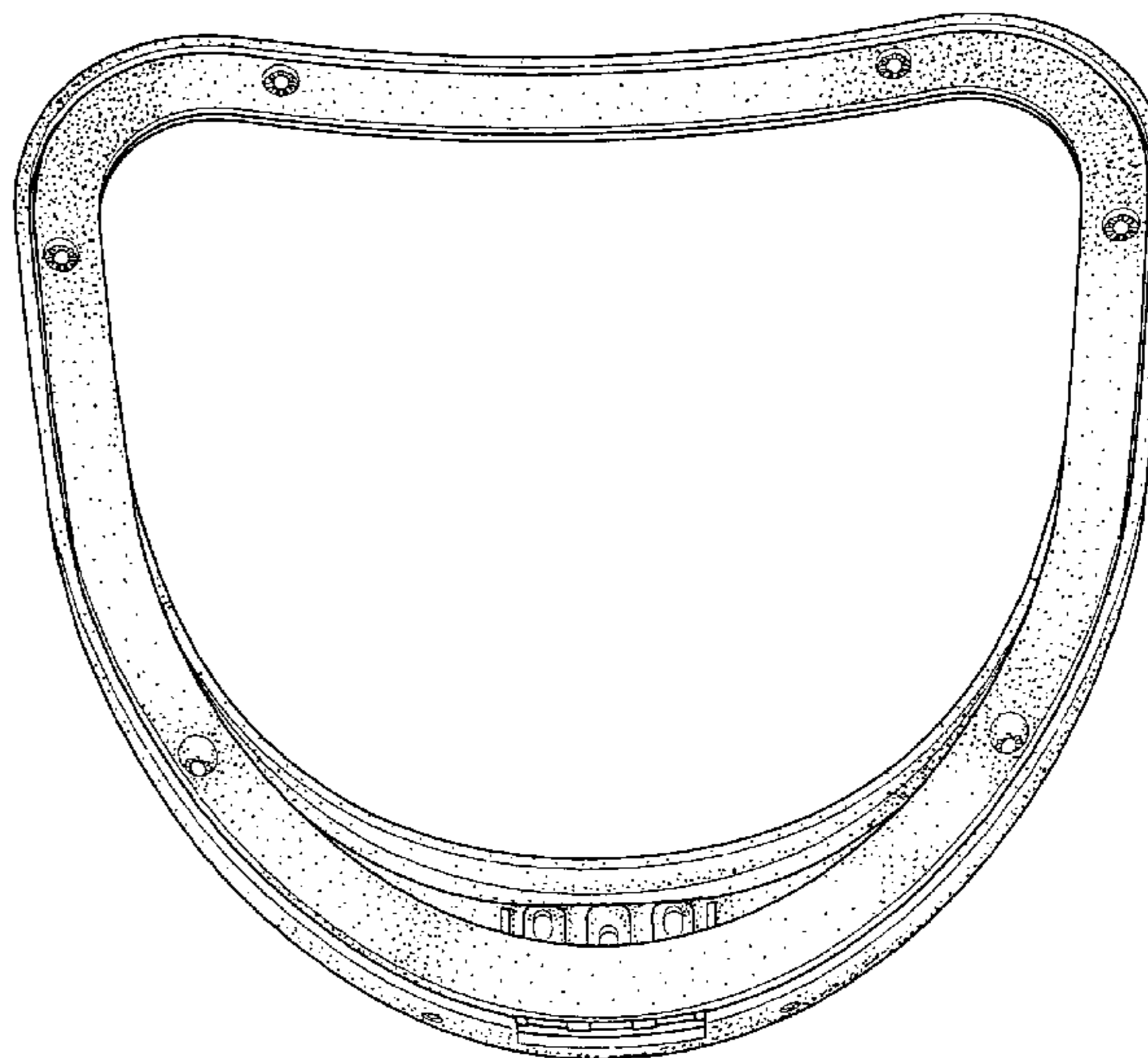
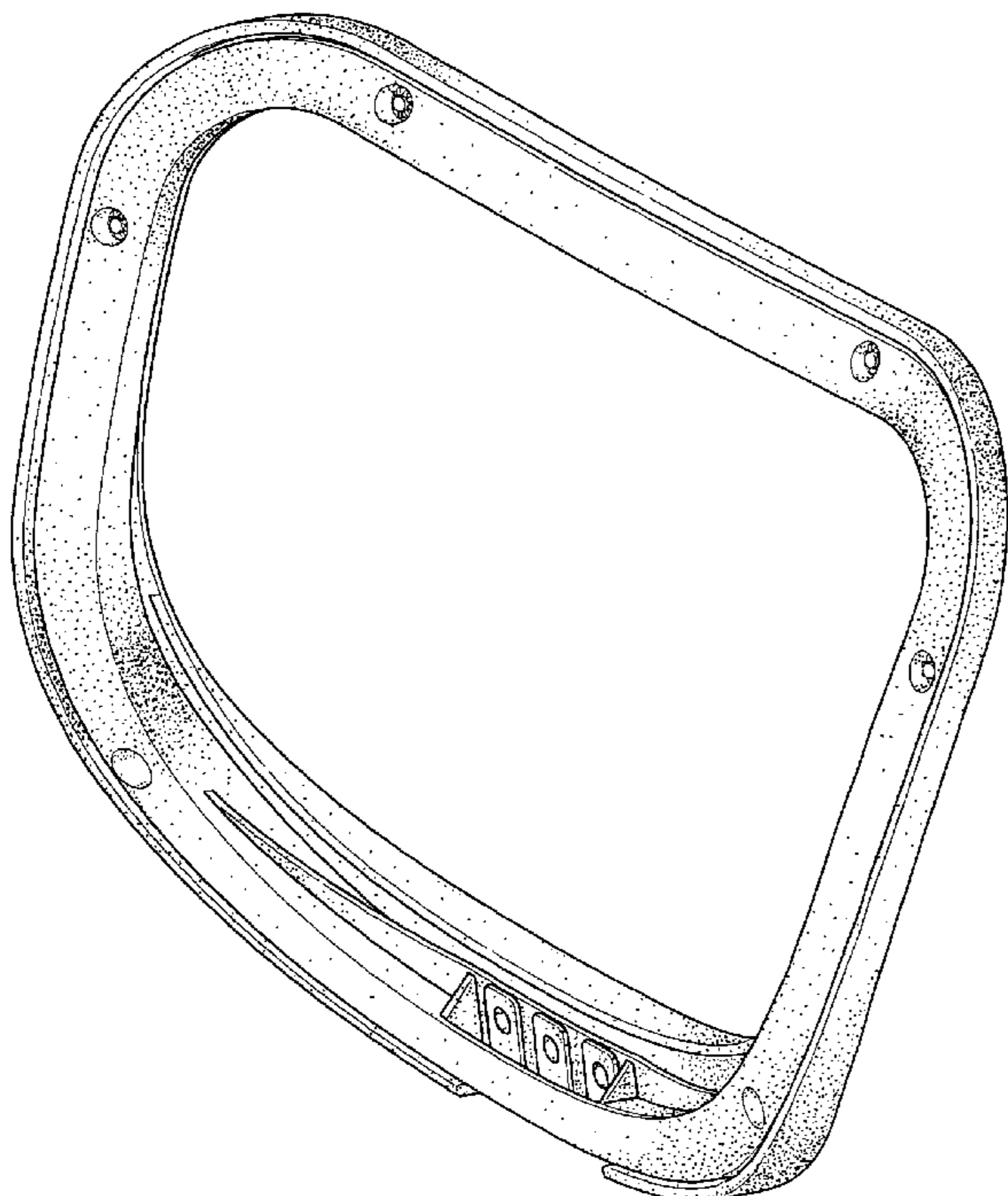
FIG. 4 is a left side elevational view thereof;

FIG. 5 is a right side elevational view thereof;

FIG. 6 is a top plan view thereof; and,

FIG. 7 is a bottom plan view thereof.

1 Claim, 5 Drawing Sheets



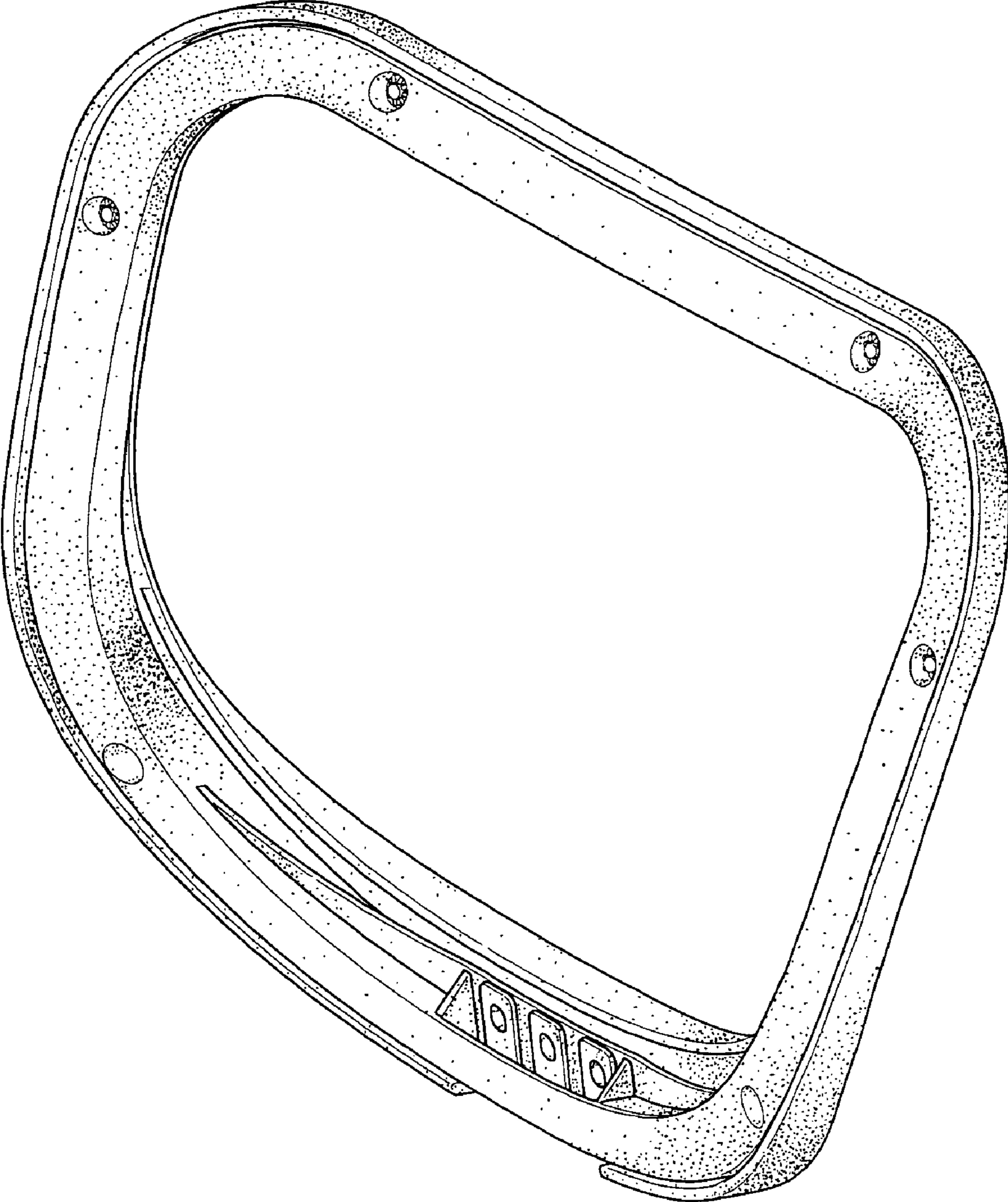


FIG . 1

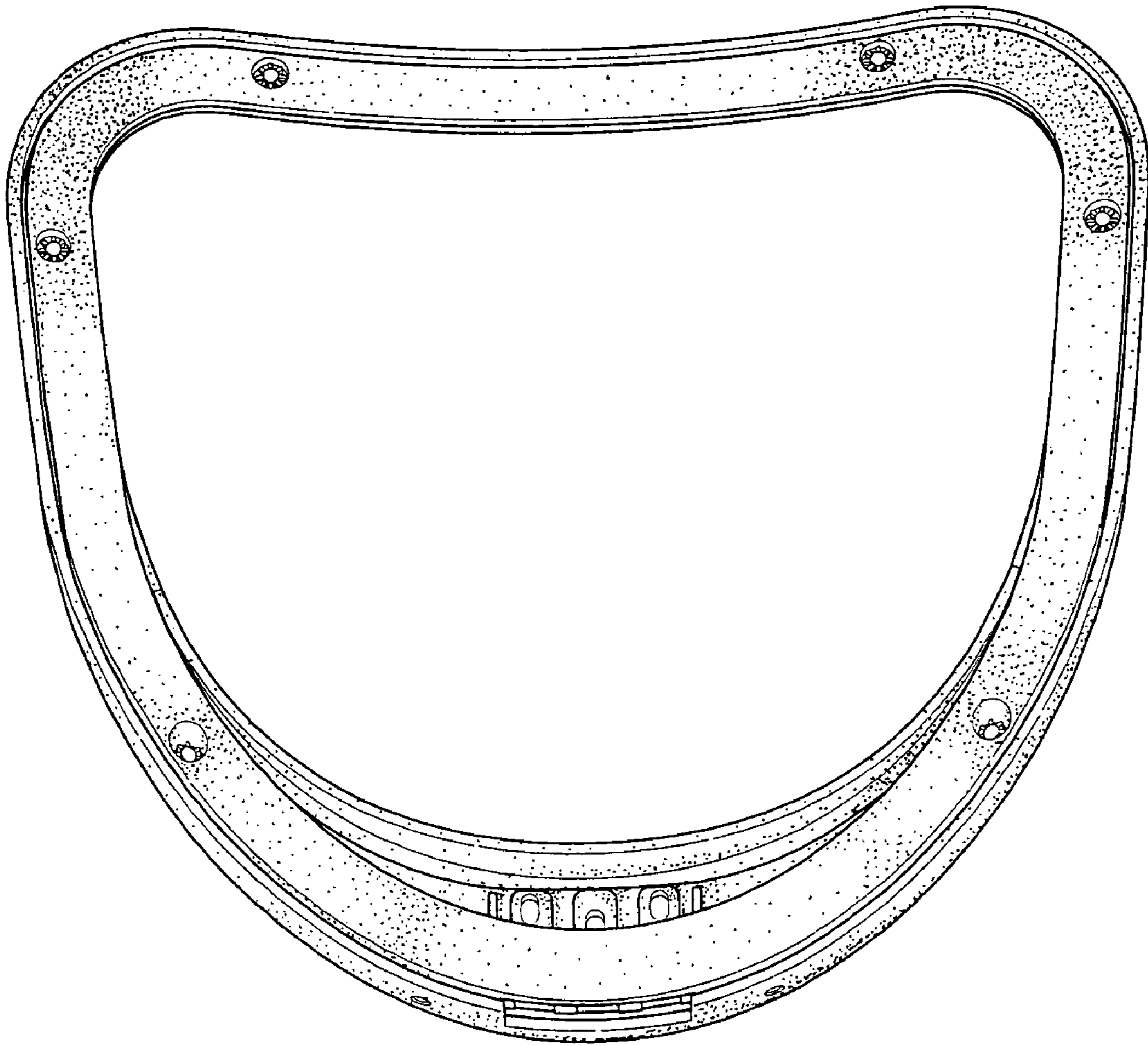


FIG . 2

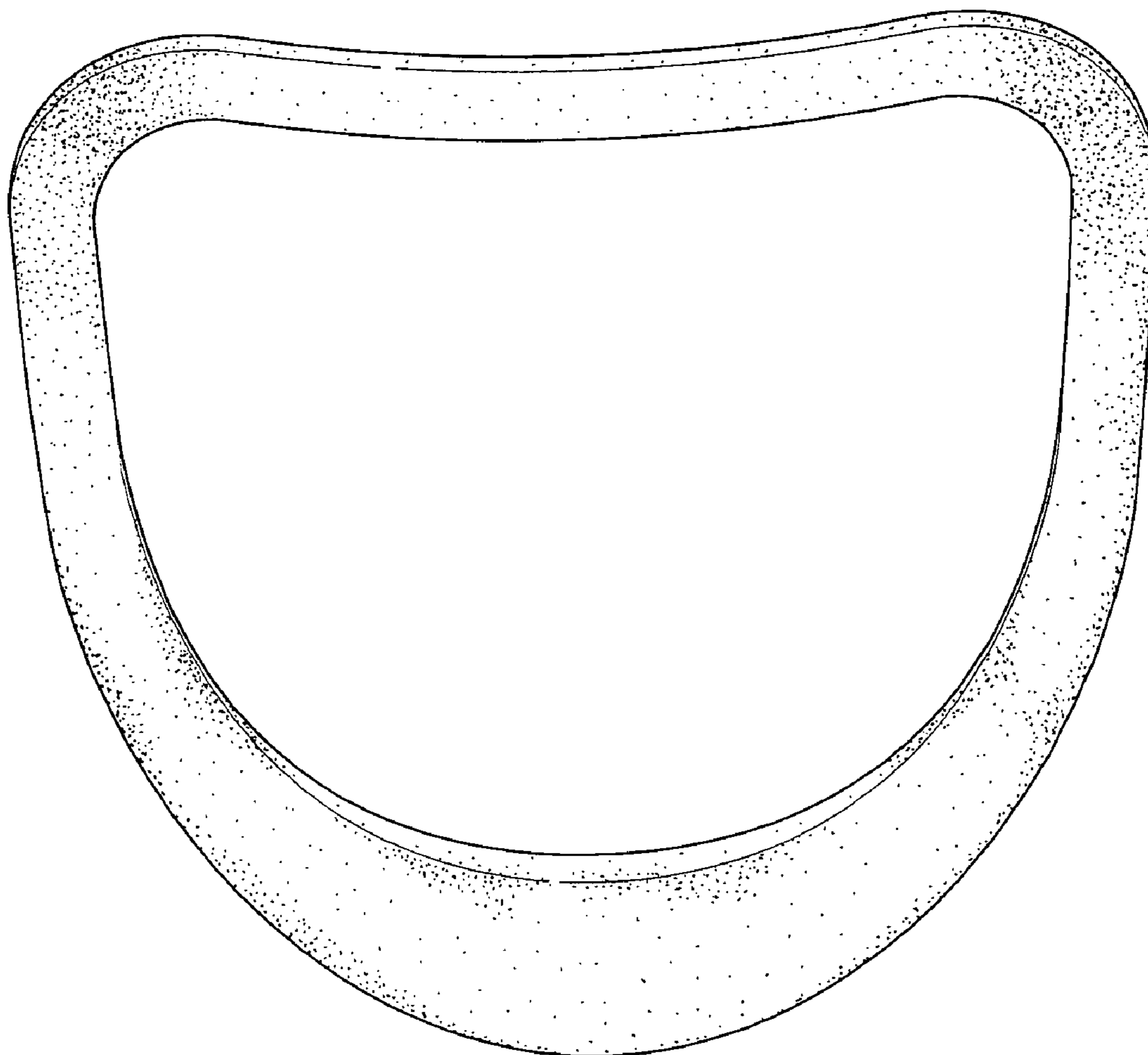


FIG . 3

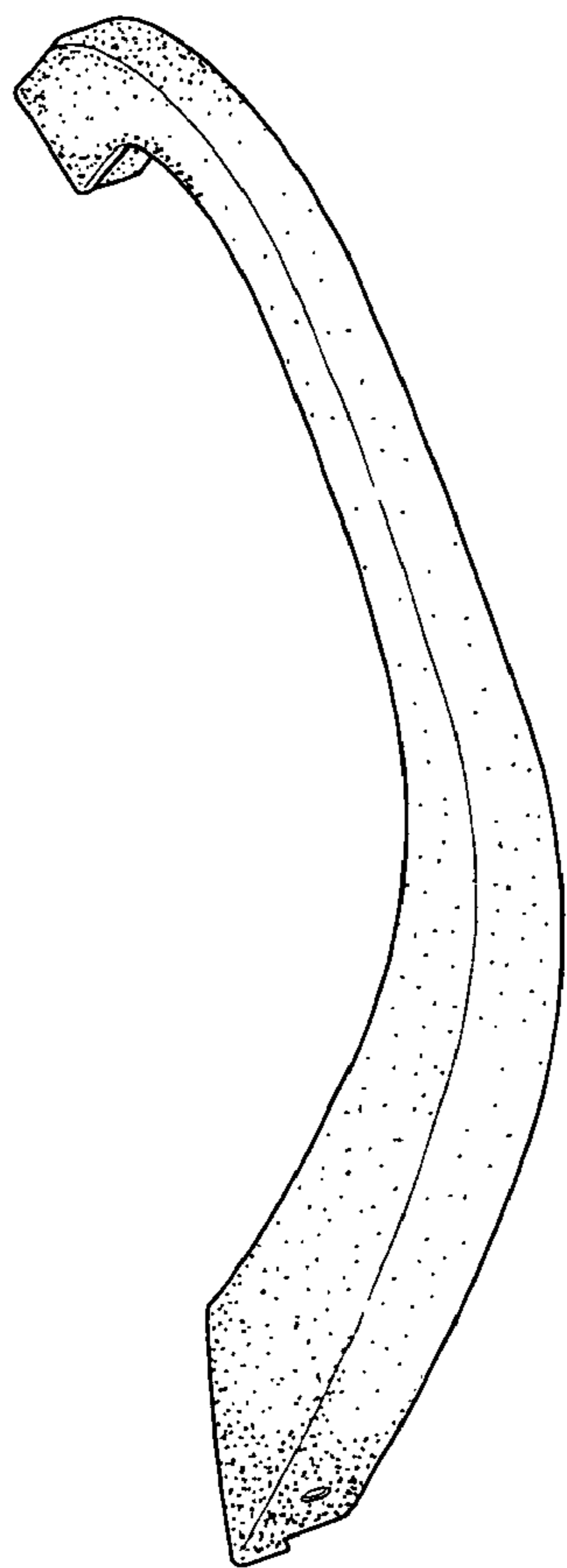


FIG . 4

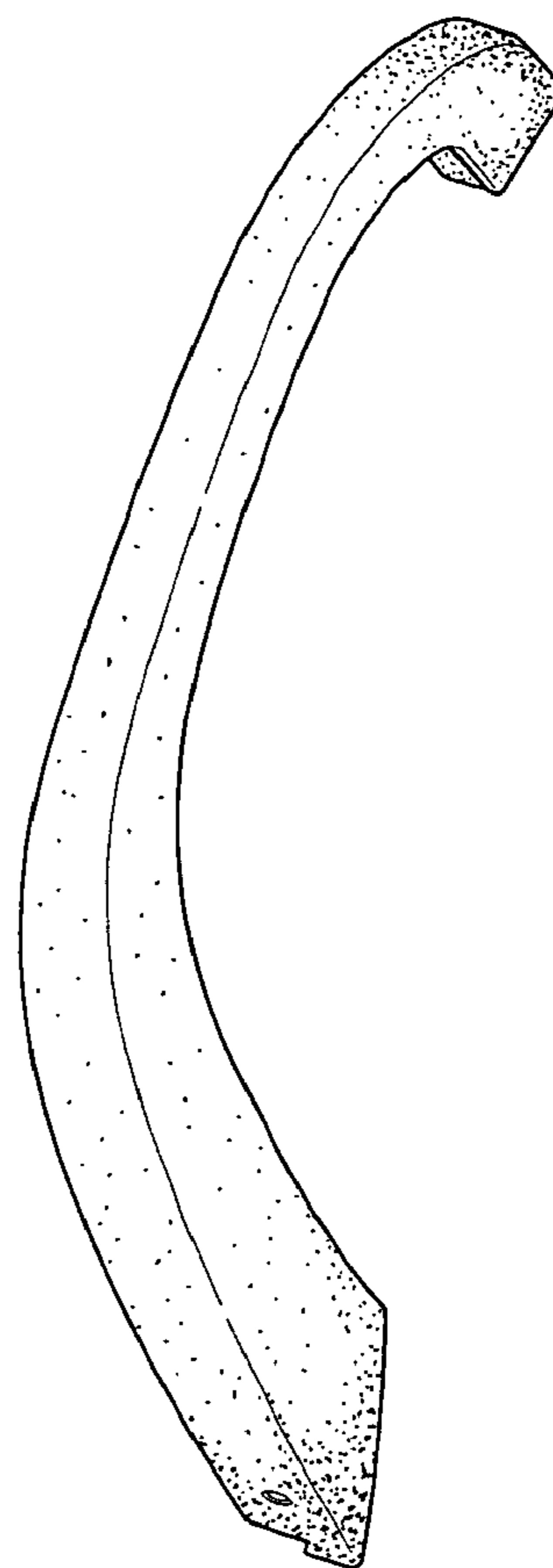


FIG . 5

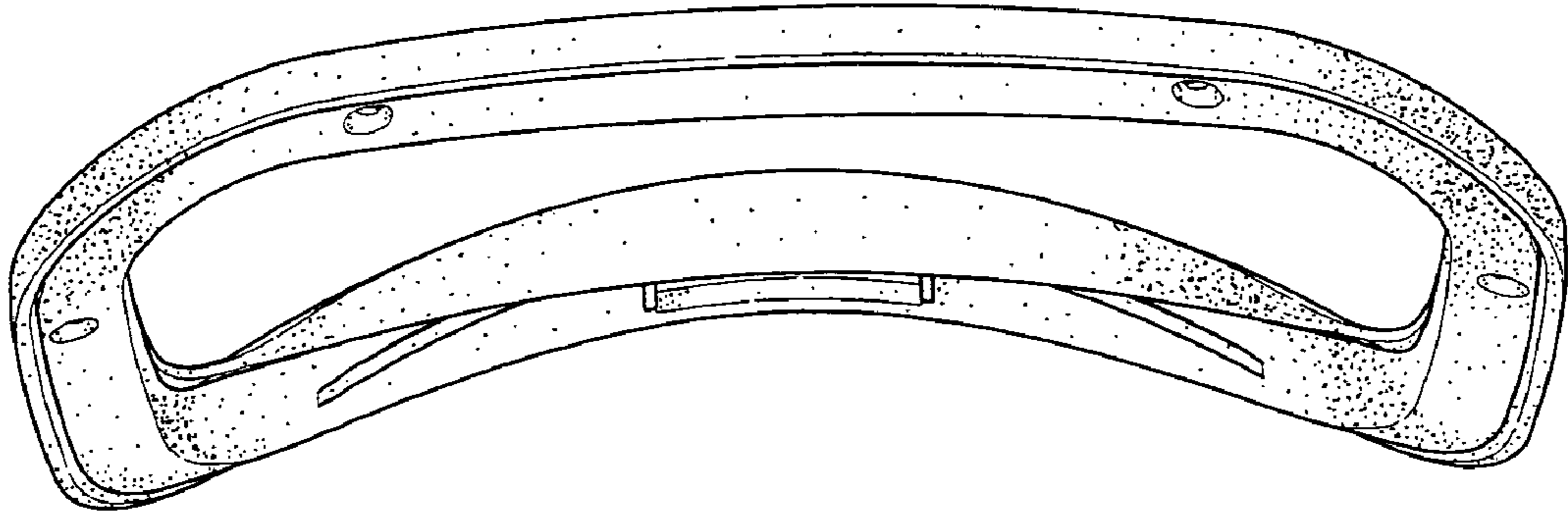


FIG . 6

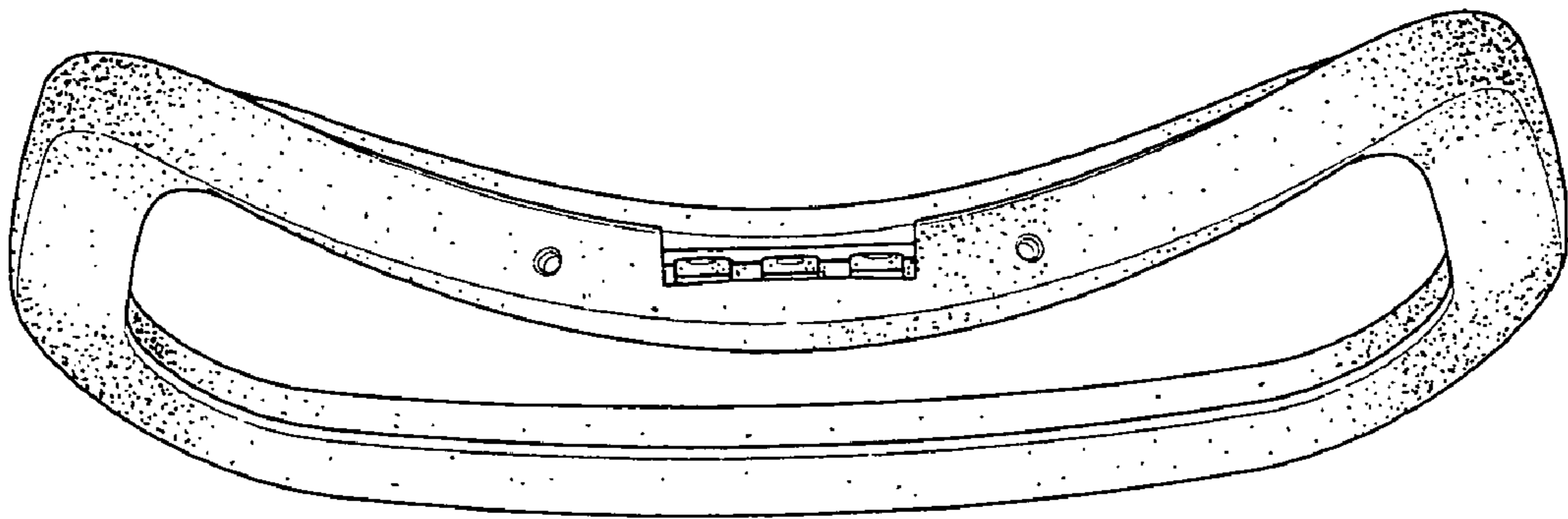


FIG . 7